



US00D909850S

(12) **United States Design Patent** (10) **Patent No.:** **US D909,850 S**  
**Lin et al.** (45) **Date of Patent:** **\*\* Feb. 9, 2021**

(54) **SMART DOOR LOCK**

(56) **References Cited**

(71) Applicant: **BEIJING XIAOMI MOBILE SOFTWARE CO., LTD.**, Beijing (CN)

U.S. PATENT DOCUMENTS

(72) Inventors: **Sian Lin**, Beijing (CN); **Ningning Li**, Beijing (CN); **Jia Chen**, Beijing (CN); **Jianning Tang**, Beijing (CN)

5,198,643 A	3/1993	Miron et al.	
D339,280 S	9/1993	Bray et al.	
D393,994 S *	5/1998	Hankel	D8/301
D423,326 S	4/2000	Moon et al.	
D437,771 S	2/2001	Barnes et al.	
6,758,070 B2 *	7/2004	Yu	E05B 47/068 292/144
D494,841 S *	8/2004	Moon	D8/352
7,007,526 B2 *	3/2006	Frolov	E05B 47/068 70/107

(73) Assignee: **BEIJING XIAOMI MOBILE SOFTWARE CO., LTD.**, Beijing (CN)

(\*\*) Term: **15 Years**

(Continued)

(21) Appl. No.: **35/507,627**

OTHER PUBLICATIONS

(22) Filed: **Feb. 3, 2019**

Notice of Allowance and Fee(s) Due dated Dec. 14, 2020 in connection with U.S. Design Appl. No. 29/747,881.

(80) **Hague Agreement Data**

Int. Filing Date: **Feb. 3, 2019**  
Int. Reg. No.: **DM/203573**  
Int. Reg. Date: **Feb. 3, 2019**  
Int. Reg. Pub. Date: **Nov. 1, 2019**

*Primary Examiner* — Nathaniel D. Buckner  
(74) *Attorney, Agent, or Firm* — Amster Rothstein & Ebenstein LLP

(30) **Foreign Application Priority Data**

Aug. 7, 2018 (CN) ..... 2018 3 0433907

(51) **LOC (13) Cl.** ..... **08-07**

(52) **U.S. Cl.**  
USPC ..... **D8/331**

(58) **Field of Classification Search**  
USPC ..... D8/331, 330, 350, 308, 352, 301, 302, D8/353, 343, 300, 334, 341; D10/104.1, D10/118.2; D13/171; D14/455; D23/252, 254; D99/43  
CPC ..... G07C 9/00309; G07C 9/00174; G07C 9/00817; G07C 9/00896; Y10T 70/7062; Y10T 70/5226; Y10T 70/542; Y10T 292/0834; Y10T 292/096; E05B 47/00; E05B 63/0056; E04H 12/003; G05B 2219/2642

See application file for complete search history.

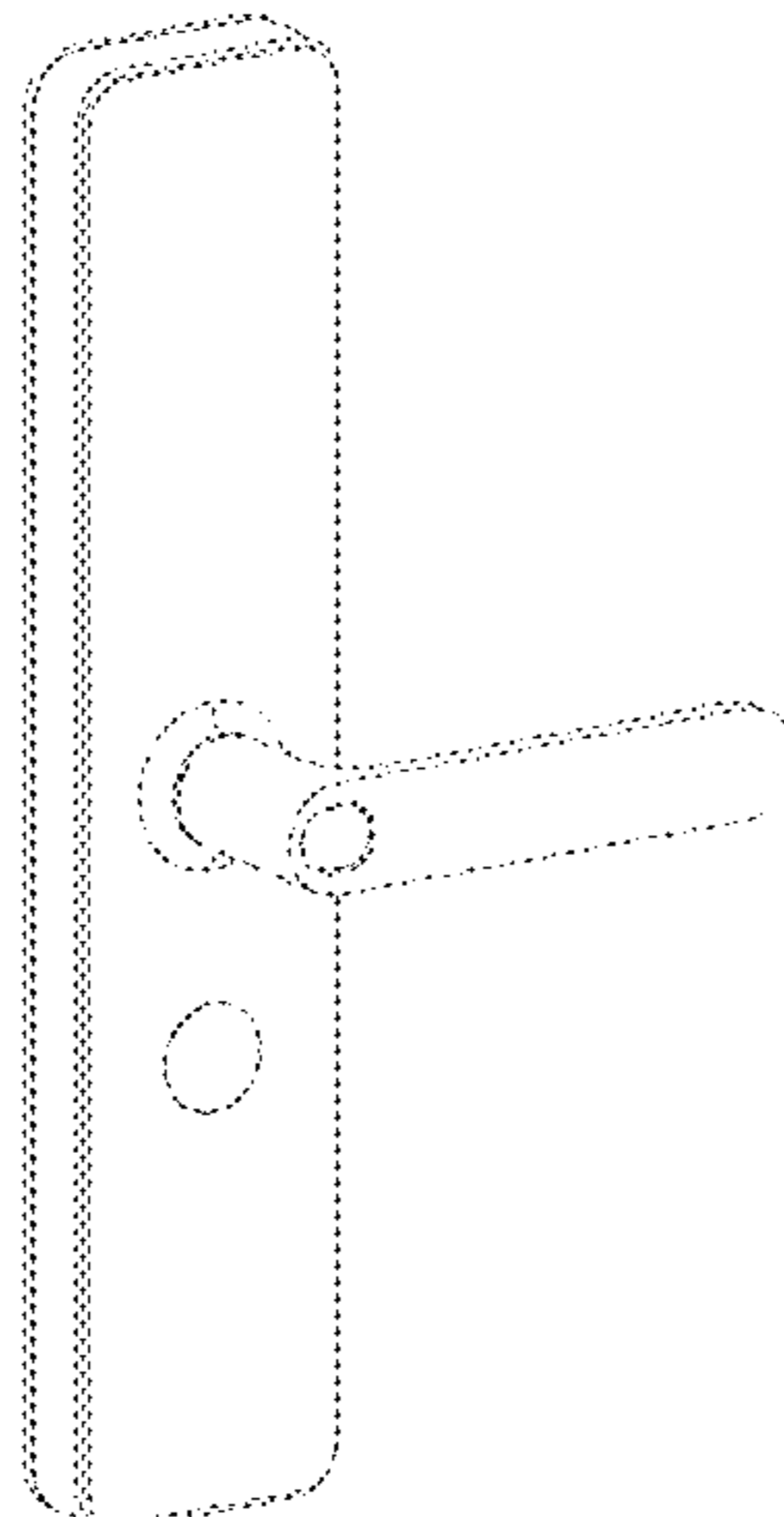
(57) **CLAIM**

The ornamental design for a smart door lock, as shown and described.

**DESCRIPTION**

1. Smart door lock  
**1.1** is a front elevation view of a smart door lock showing our new design  
**1.2** is a rear elevation view thereof;  
**1.3** is a left side elevation view thereof;  
**1.4** is a right side elevation view thereof;  
**1.5** is a top plan view thereof;  
**1.6** is a bottom plan view thereof;  
**1.7** is a top left perspective view thereof.  
Reproduction **1.1** is a front view of a first smart door lock; reproduction **1.2** is a rear view; reproduction **1.3** is a left

(Continued)



view; reproduction 1.4 is a right view; reproduction 1.5 is a top view; reproduction 1.6 is a bottom view; reproduction 1.7 is a perspective view;

**1 Claim, 7 Drawing Sheets**

(56)

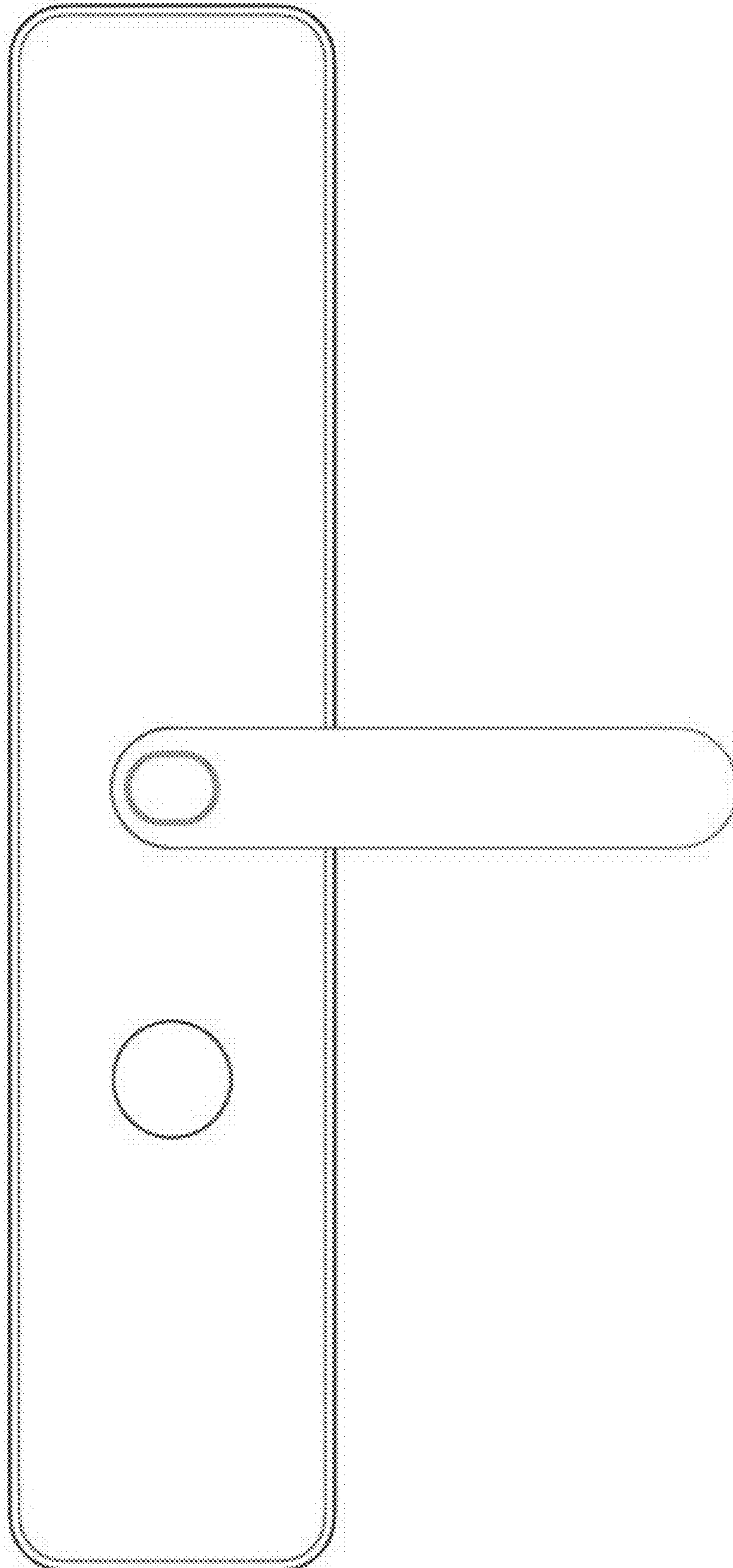
**References Cited**

U.S. PATENT DOCUMENTS

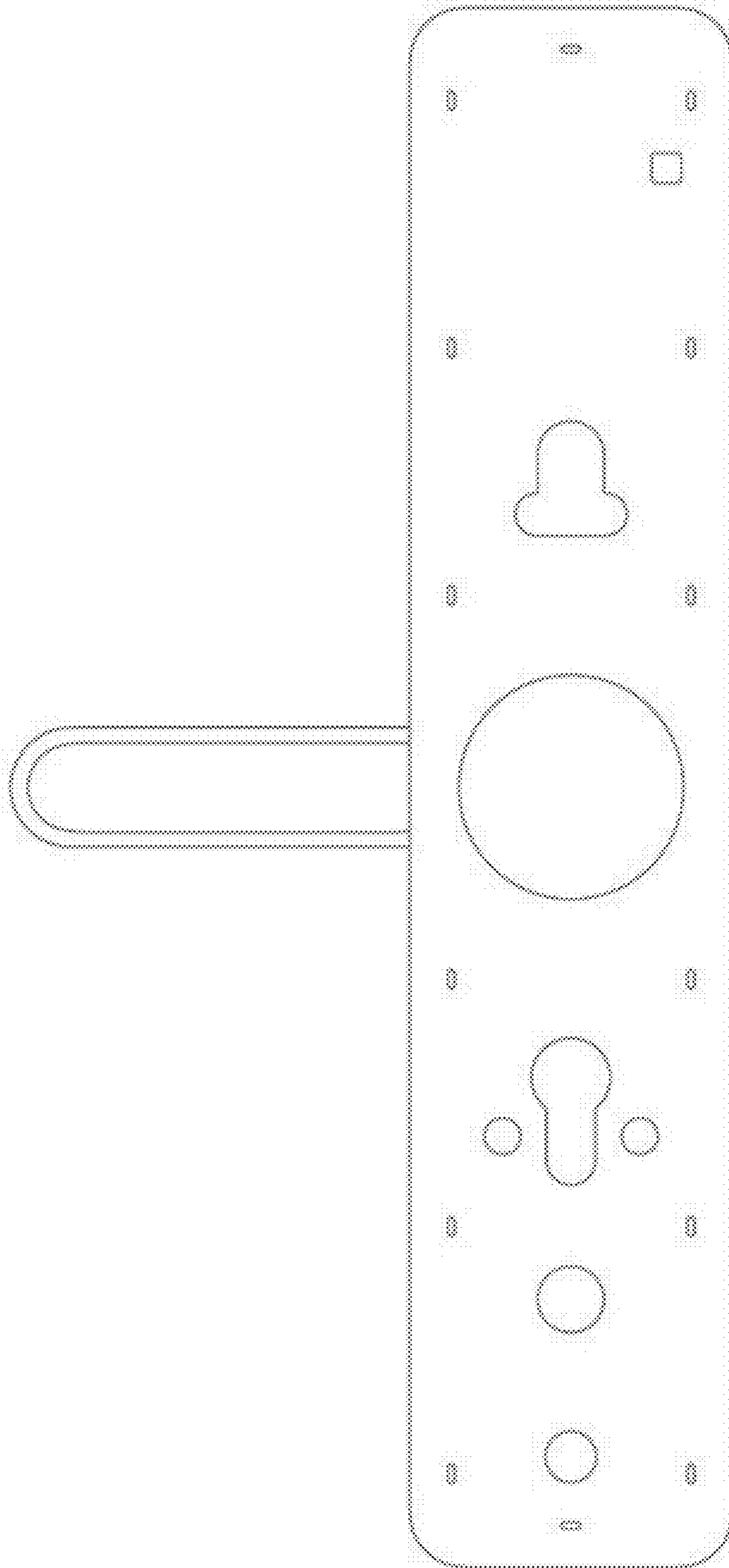
D533,762	S	12/2006	Lock	
7,374,084	B2	5/2008	Mitchell	
D578,866	S	10/2008	Kim	
D640,525	S *	6/2011	Min .....	D8/331
D685,249	S *	7/2013	Friedli .....	D8/330
8,677,792	B2 *	3/2014	Wheeler .....	E05B 47/068 70/472
D737,657	S	9/2015	Nadgouda	
9,390,570	B1 *	7/2016	Chen .....	G08B 13/06
D773,281	S	12/2016	Meyerhoffer	
D778,138	S	2/2017	Meyerhoffer	
D791,569	S *	7/2017	Chen .....	D8/331
D794,414	S *	8/2017	Chou .....	D8/331
D861,460	S	10/2019	Ronge	
D868,563	S *	12/2019	Wong .....	D8/331
D876,200	S *	2/2020	Wong .....	D8/330
D876,923	S *	3/2020	Wong .....	D8/331
2016/0042581	A1	2/2016	Ku	
2018/0320413	A1	11/2018	Wong	

\* cited by examiner

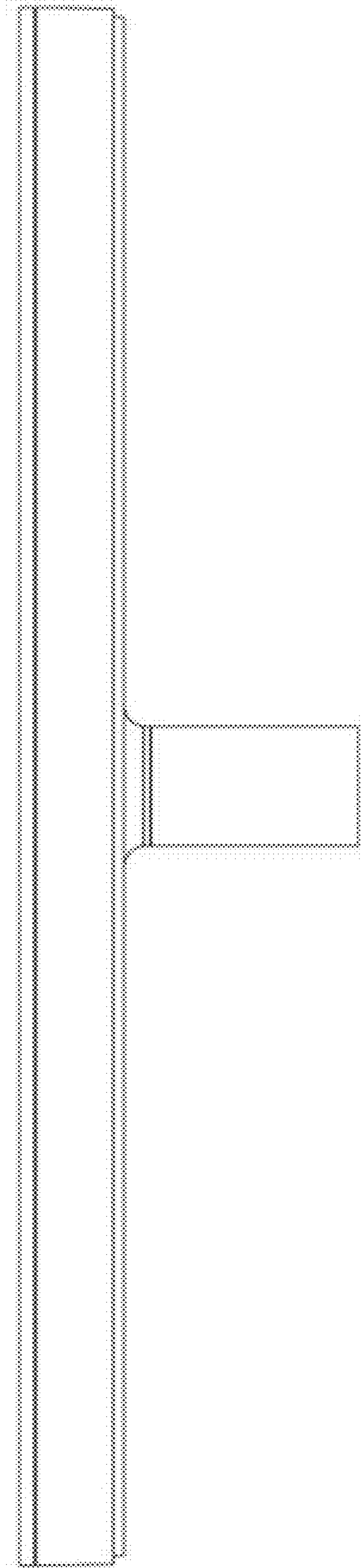
1.1



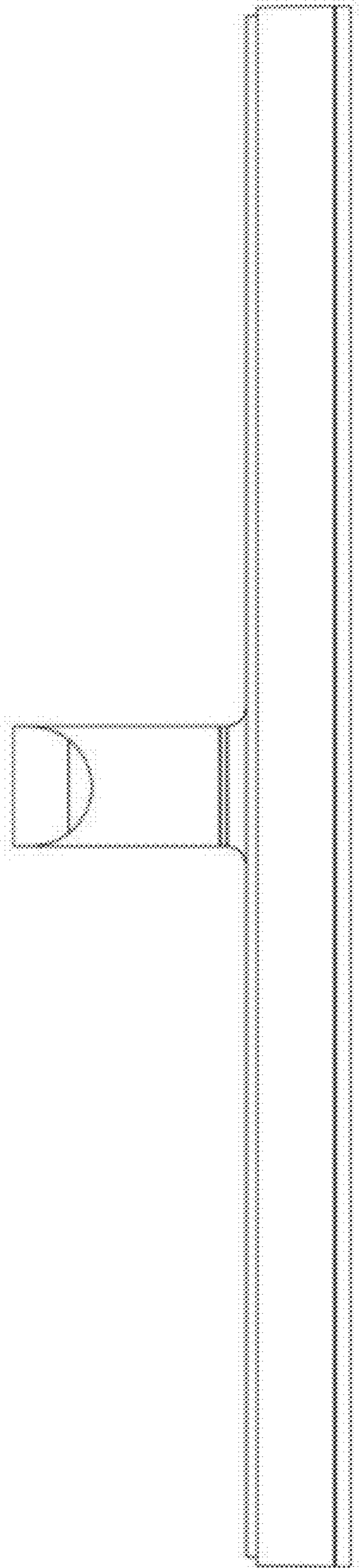
1.2



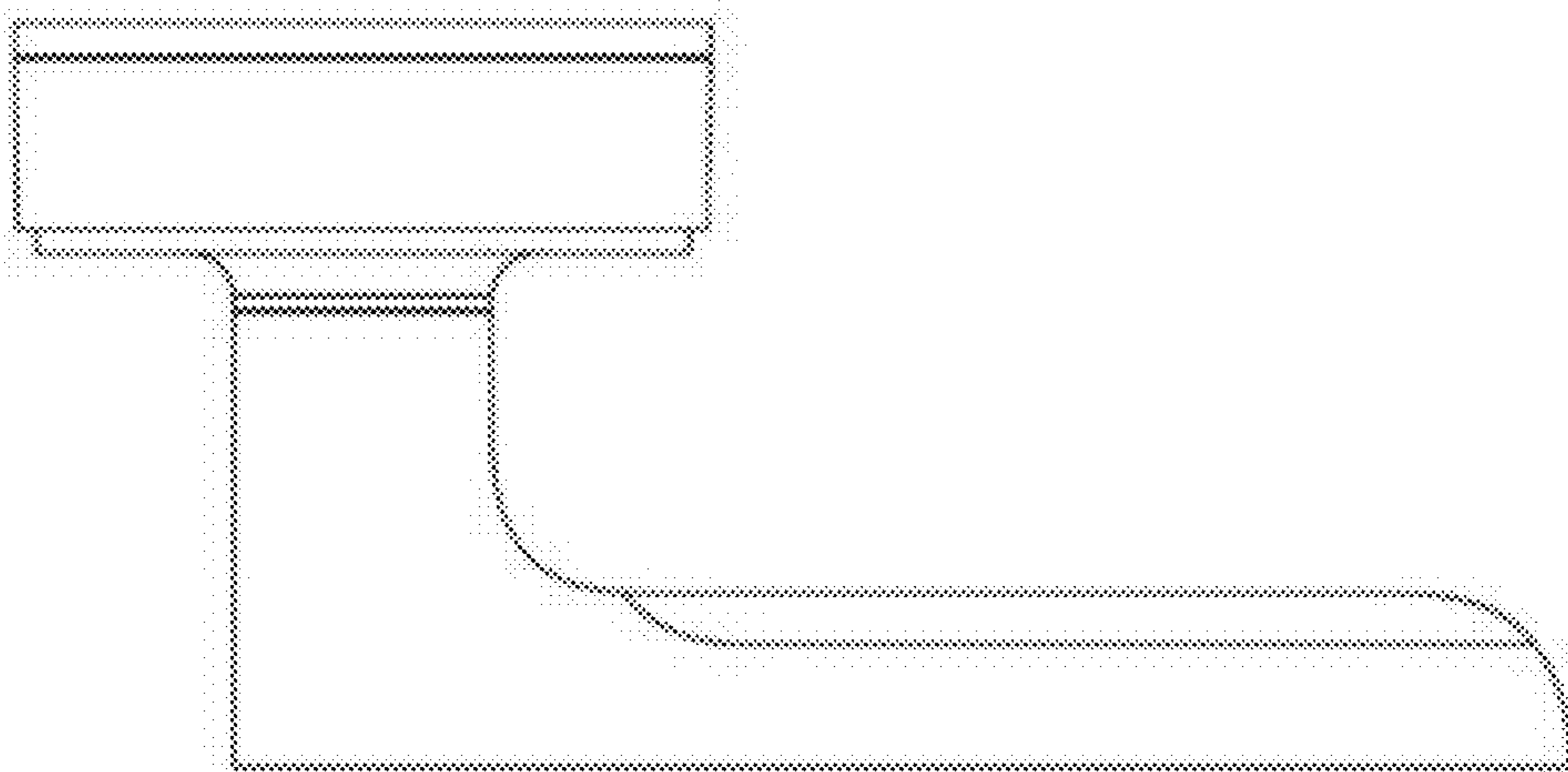
1.3



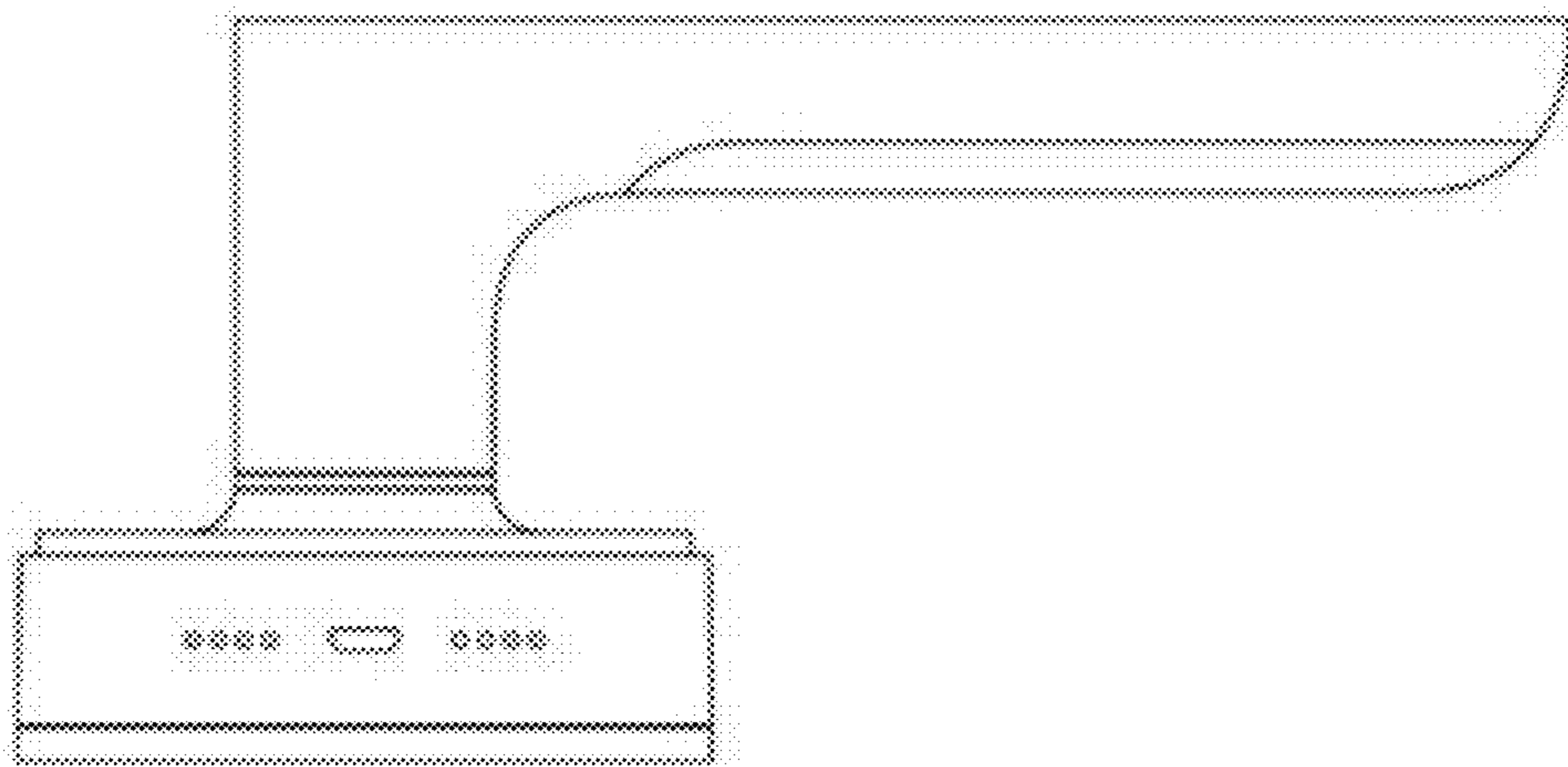
1.4



1.5



1.6





1.7

