



US00D909849S

(12) **United States Design Patent** (10) **Patent No.:** **US D909,849 S**  
**Walters** (45) **Date of Patent:** **\*\* Feb. 9, 2021**

(54) **FURNITURE HINGE**

(71) Applicant: **Brian Lee Walters**, Minnetonka, MN (US)

(72) Inventor: **Brian Lee Walters**, Minnetonka, MN (US)

(73) Assignee: **Brian Walters**, Minnetonka, MN (US)

(\*\*) Term: **15 Years**

(21) Appl. No.: **29/742,143**

(22) Filed: **Feb. 5, 2020**

(51) **LOC (13) Cl.** ..... **08-06**

(52) **U.S. Cl.**  
USPC ..... **D8/323**

(58) **Field of Classification Search**  
USPC ..... D8/323, 328, 342, 337; 16/221, 233  
CPC .. E05D 1/00; E05D 11/06; E05D 5/10; E05D 3/02; E05D 11/082; A47K 13/12  
See application file for complete search history.

(56) **References Cited**

**U.S. PATENT DOCUMENTS**

D289,888 S \* 5/1987 Bardeau ..... D8/323  
D371,950 S \* 7/1996 Ressegger ..... D8/323

D621,683 S \* 8/2010 Mullenix ..... D8/323  
D628,040 S \* 11/2010 Banasik ..... D8/71  
D747,173 S \* 1/2016 Gal ..... D8/323  
D761,076 S \* 7/2016 Schweiss ..... D8/323  
D814,692 S \* 4/2018 Gordin ..... D26/138  
D818,339 S \* 5/2018 Gal ..... D8/323  
D834,915 S \* 12/2018 Boyce ..... A63B 67/06  
D858,251 S \* 9/2019 van Cronenburg ..... D8/323  
D863,935 S \* 10/2019 Aoki ..... G06F 1/162  
D8/329

\* cited by examiner

*Primary Examiner* — Cynthia R Underwood

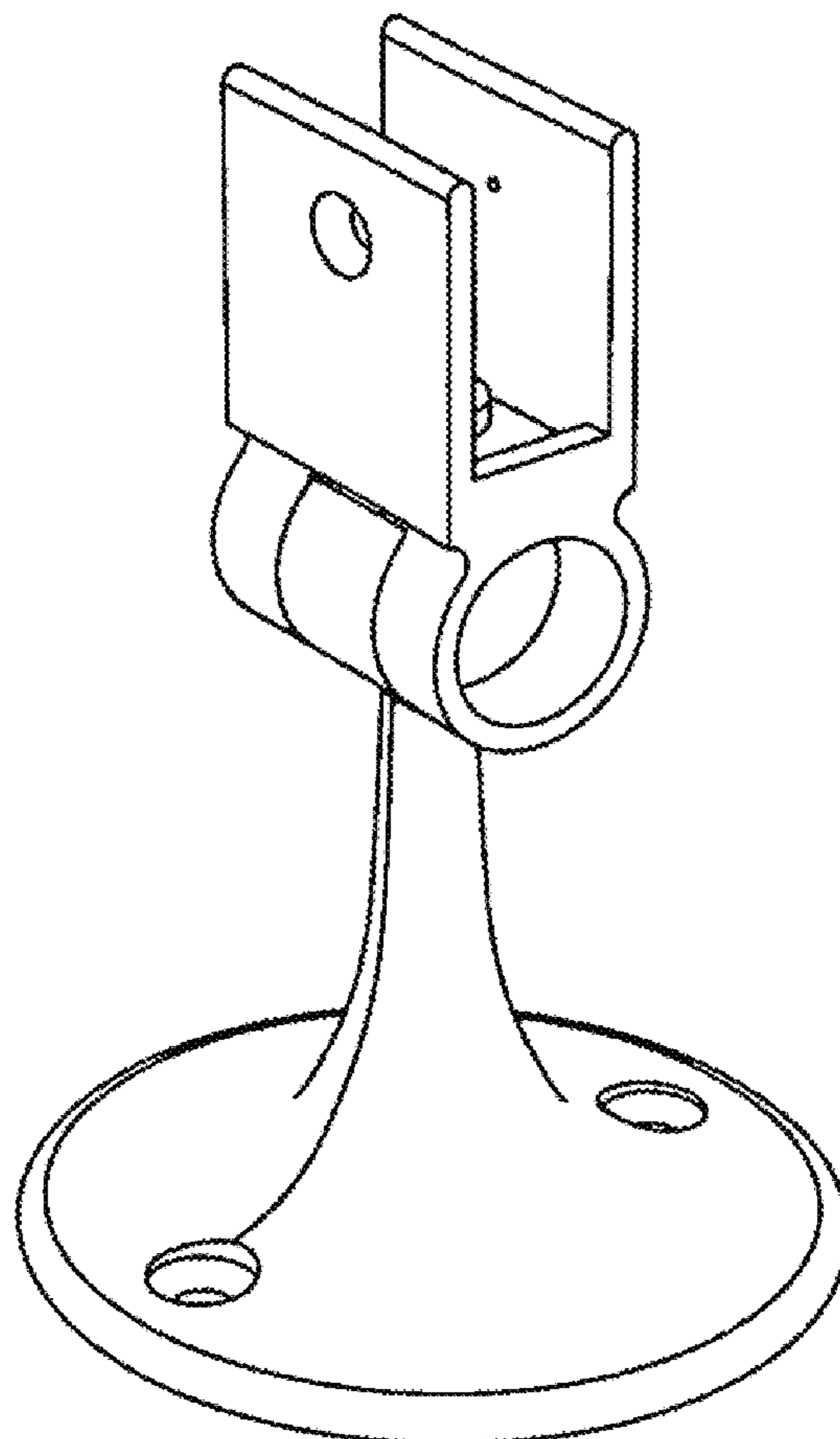
(57) **CLAIM**

The ornamental design for a furniture hinge, as shown.

**DESCRIPTION**

FIG. 1 is a front, right perspective view showing my new furniture hinge;  
FIG. 2 is a front view thereof;  
FIG. 3 is a right side view thereof;  
FIG. 4 is a top view thereof;  
FIG. 5 is a front left perspective view thereof;  
FIG. 6 is a rear view thereof;  
FIG. 7 is a left side view thereof; and,  
FIG. 8 is a bottom view thereof.

**1 Claim, 2 Drawing Sheets**



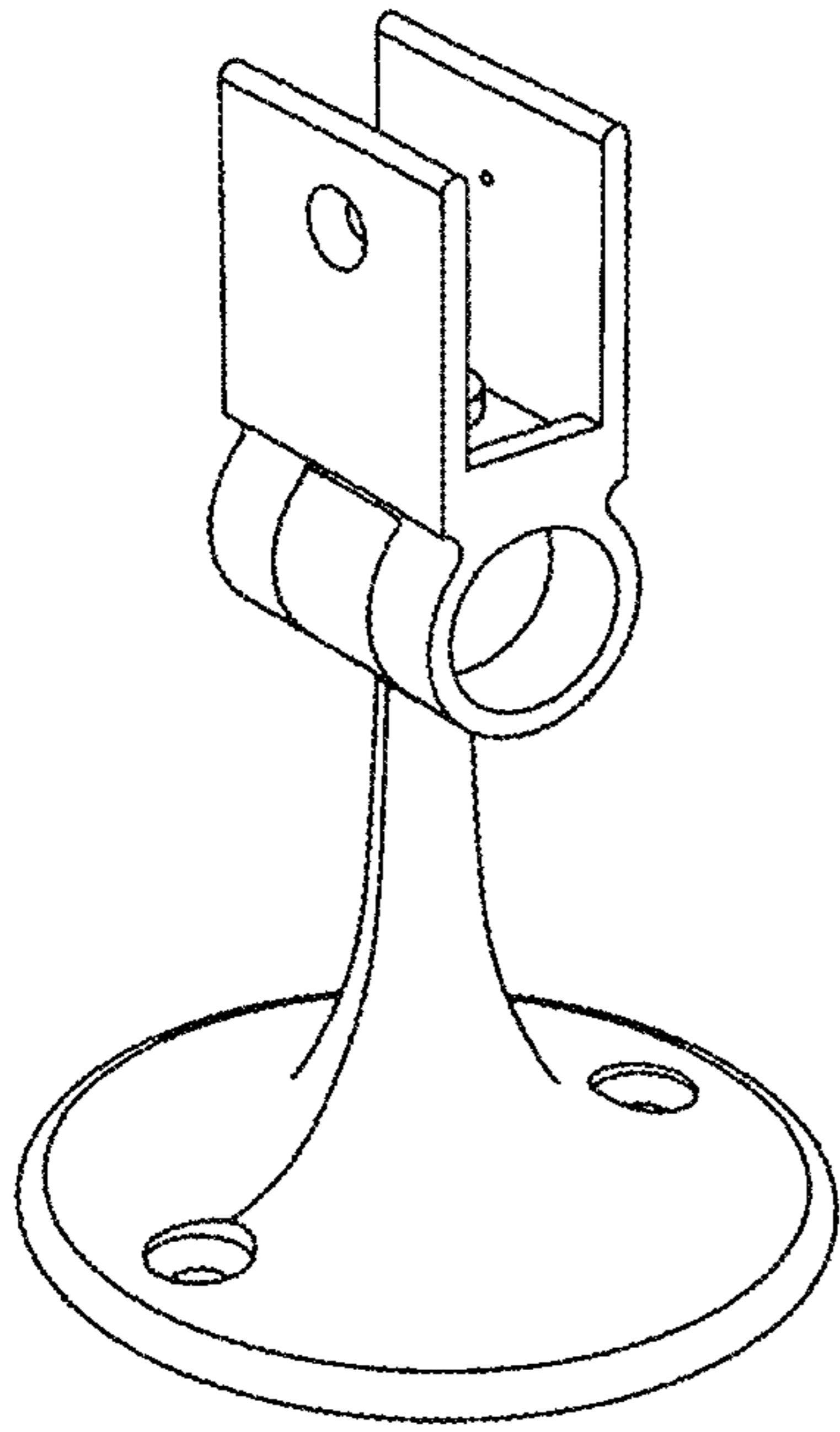


FIG. 1

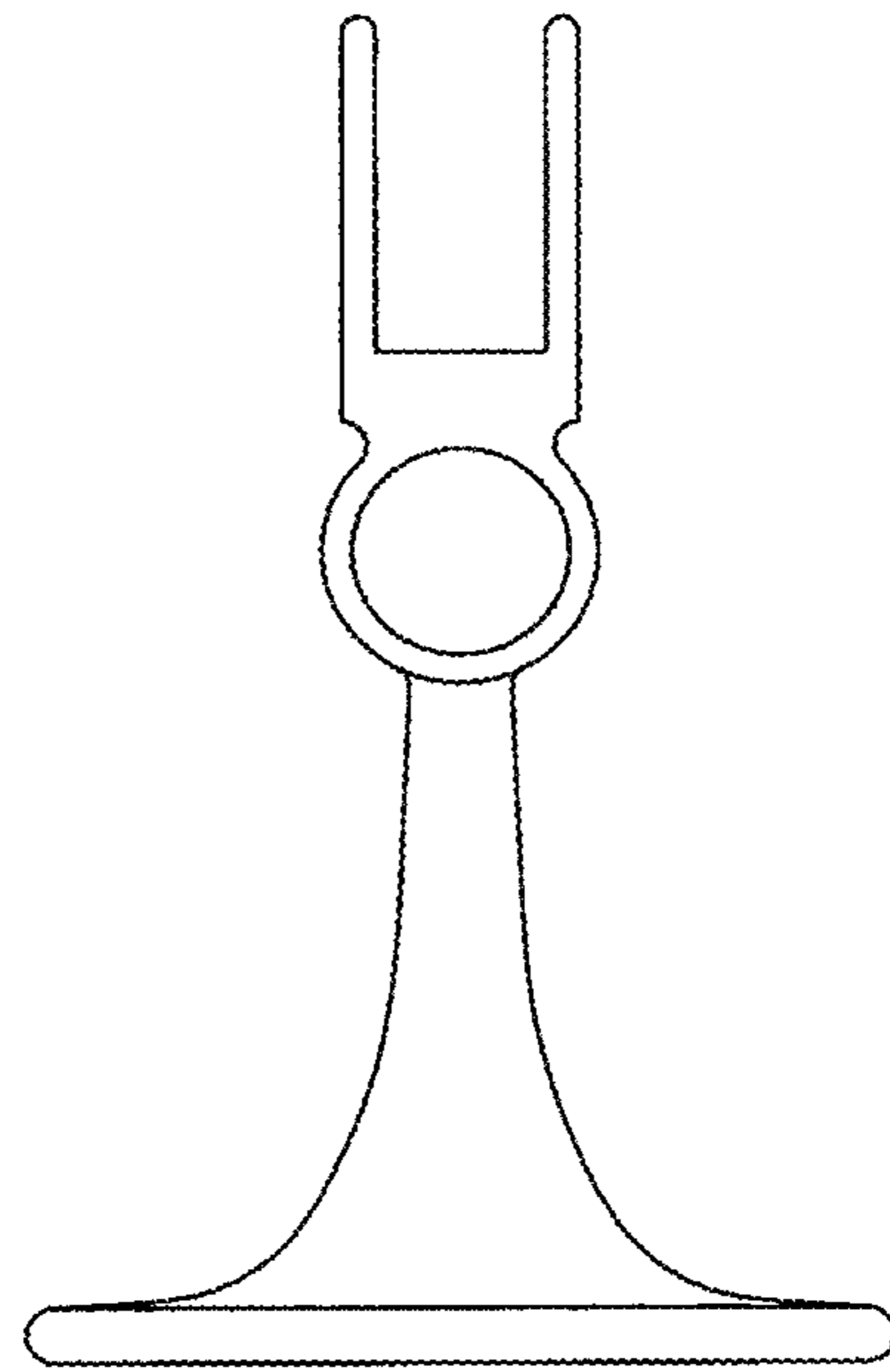


FIG. 2

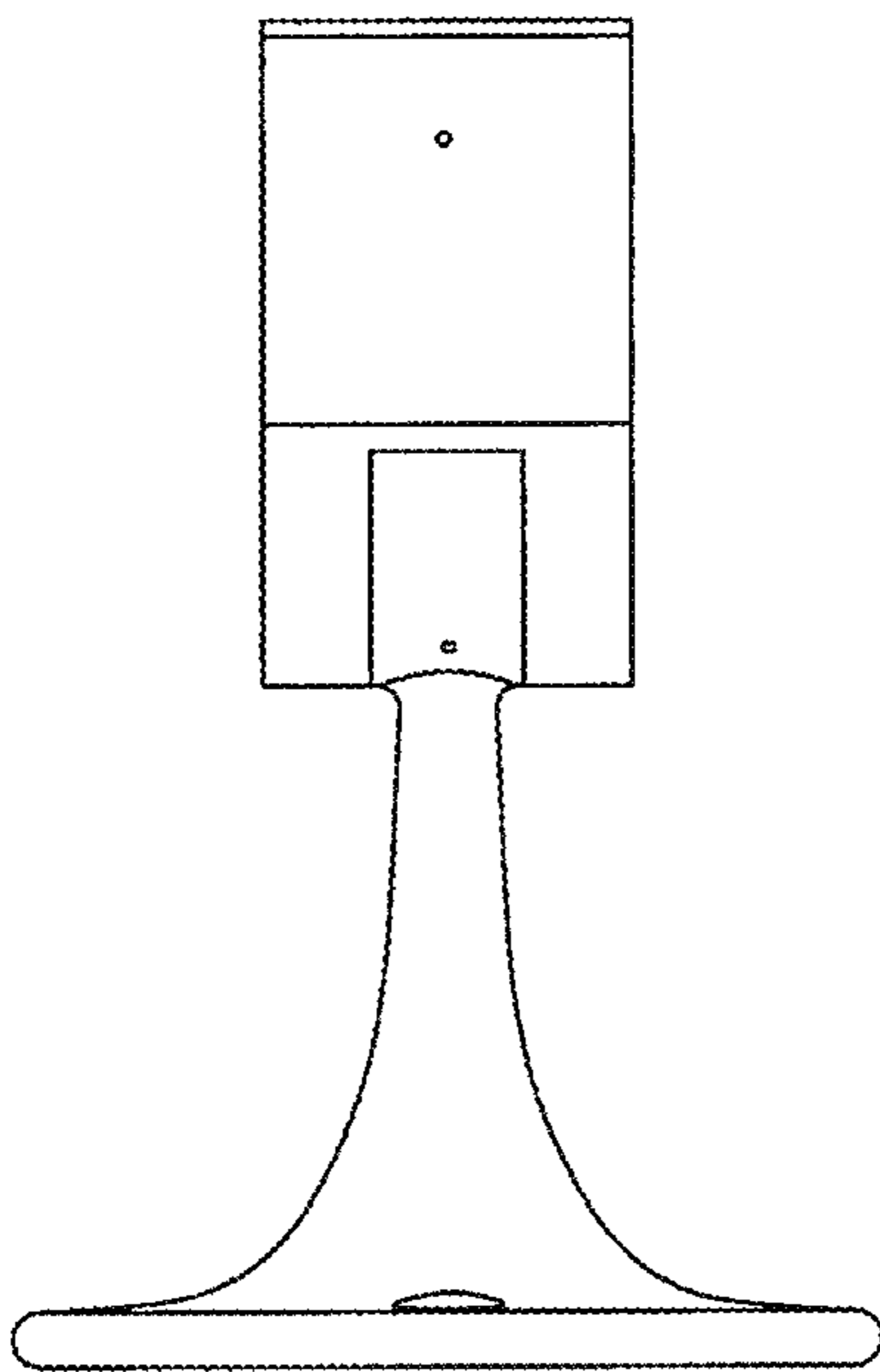


FIG. 3

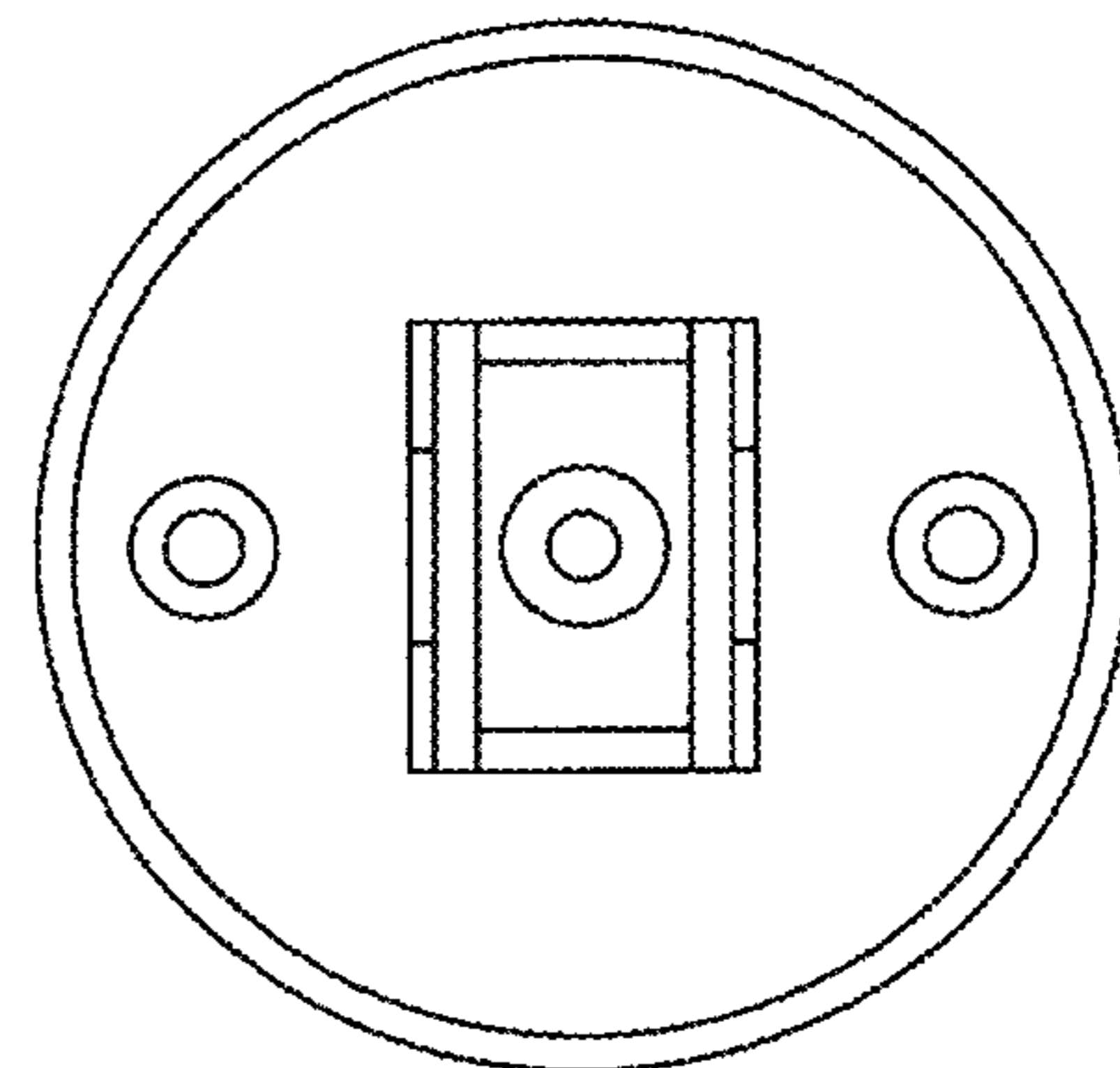


FIG. 4

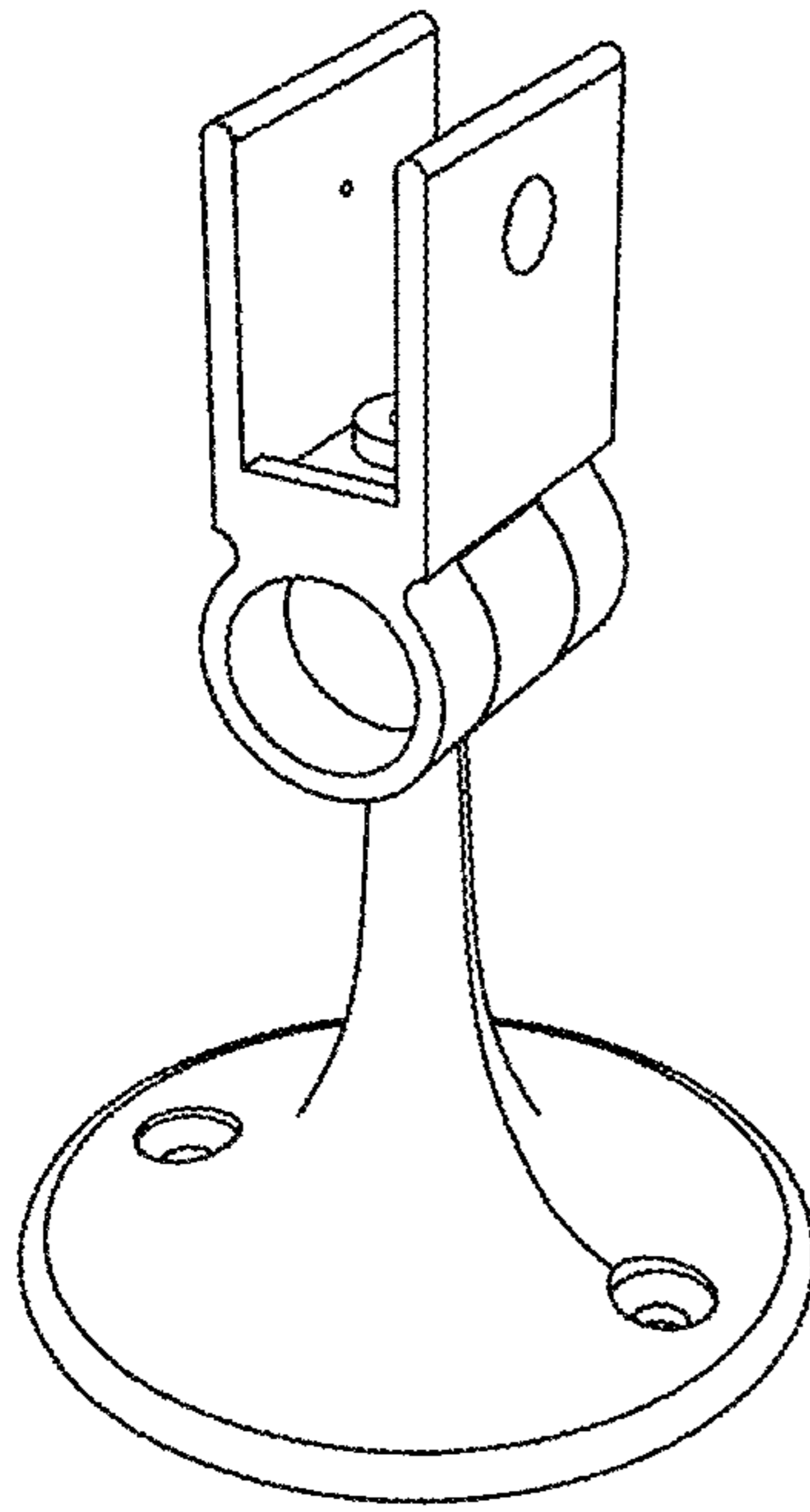


FIG. 5

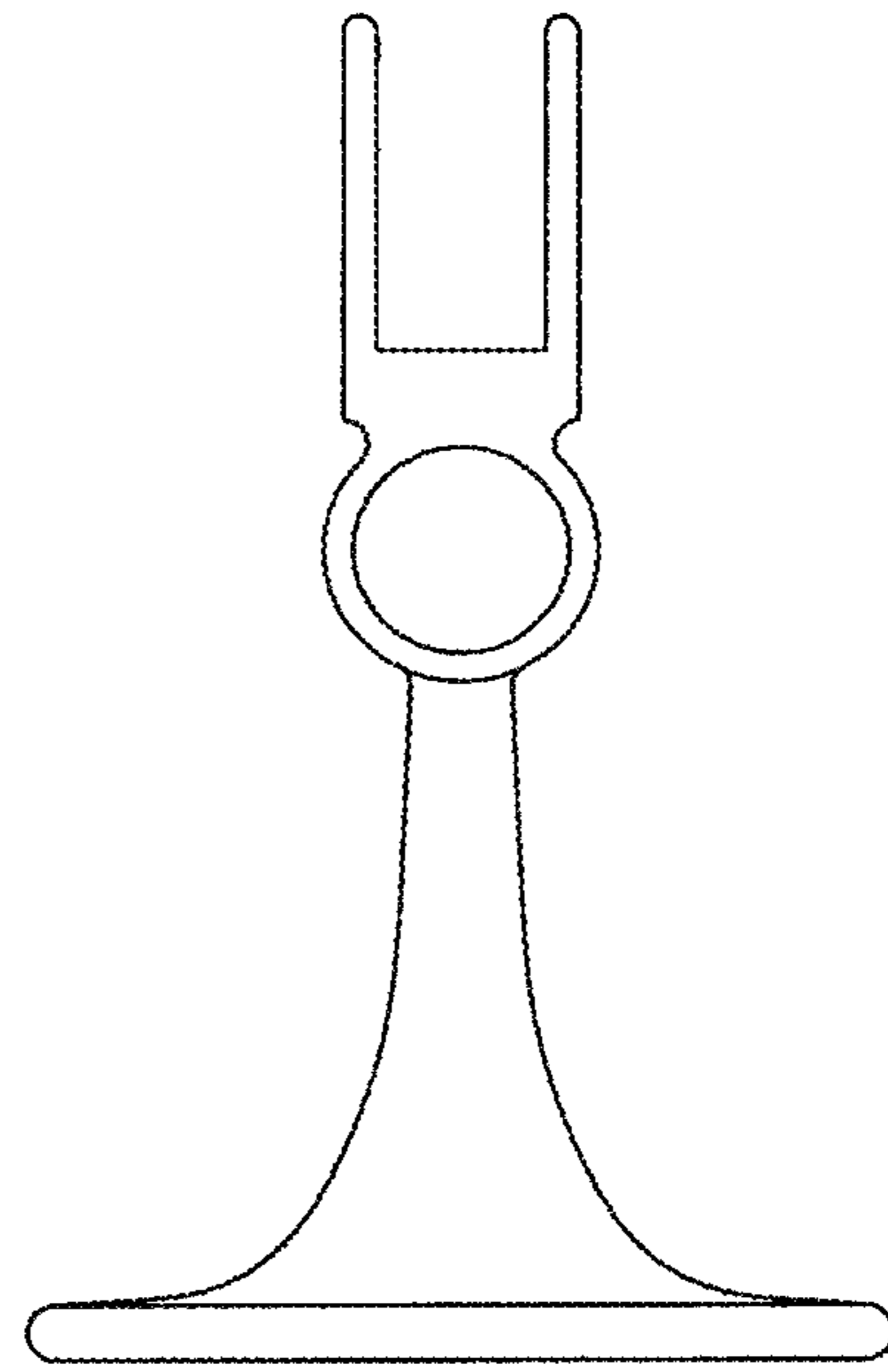


FIG. 6

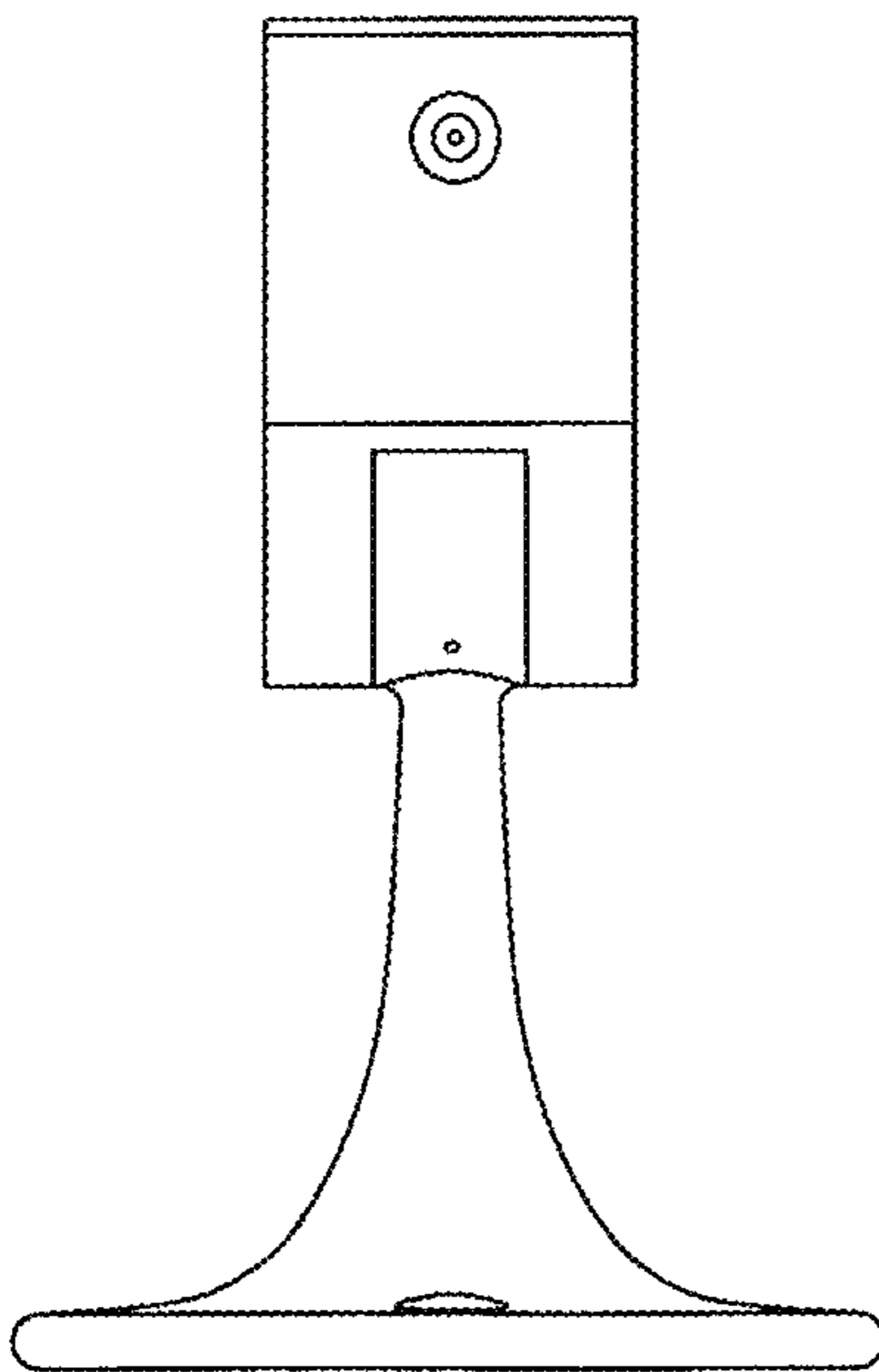


FIG. 7

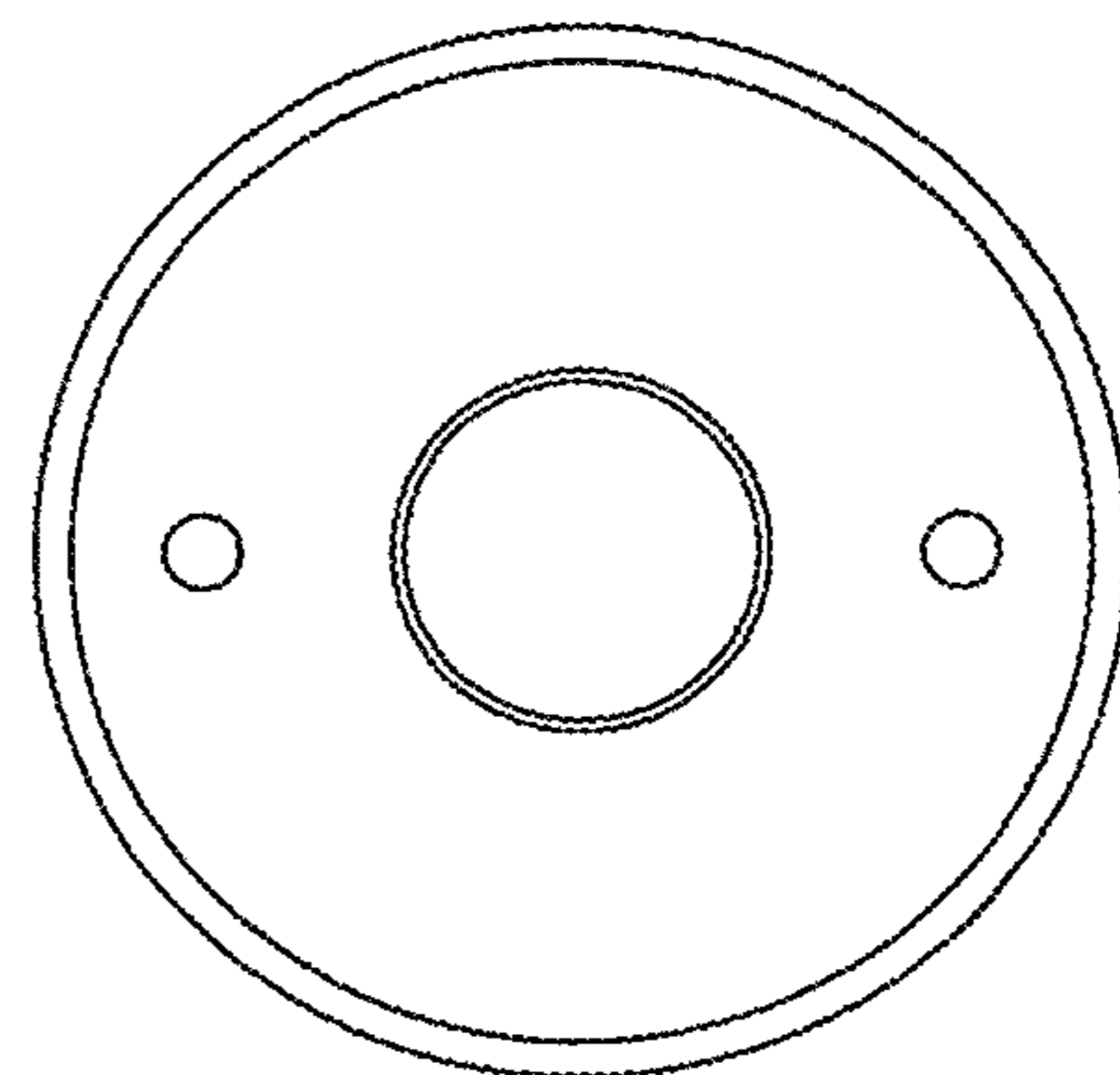


FIG. 8