



US00D909845S

(12) **United States Design Patent** (10) **Patent No.:** **US D909,845 S**
Masalin et al. (45) **Date of Patent:** **** Feb. 9, 2021**

(54) **AXE**
(71) Applicant: **Fiskars Finland Oy Ab**, Helsinki (FI)
(72) Inventors: **Petteri Masalin**, Helsinki (FI); **Mikko Kemppe**, Helsinki (FI); **Sami Lyytikäinen**, Helsinki (FI); **Juha Huhtala**, Helsinki (FI)
(73) Assignee: **FISKARS FINLAND OY AB**, Helsinki (FI)
(**) Term: **15 Years**

(21) Appl. No.: **29/682,560**
(22) Filed: **Mar. 6, 2019**
(30) **Foreign Application Priority Data**
Sep. 6, 2018 (EM) 005631173
(51) **LOC (13) Cl.** **08-03**
(52) **U.S. Cl.**
USPC **D8/76**
(58) **Field of Classification Search**
USPC D8/75, 76, 77, 78, 79, 80, 81, 107
CPC . B26B 23/00; B25F 1/00; B25F 1/006; A01B 1/20; A62B 3/005; B24D 1/00; B25G 1/04; B25G 3/28
See application file for complete search history.

(56) **References Cited**
U.S. PATENT DOCUMENTS
5,141,353 A * 8/1992 Meredith, Jr. B25G 1/10 294/57
D354,212 S * 1/1995 Ronnholm D8/76
D356,480 S * 3/1995 Ronnholm D8/76
D362,795 S * 10/1995 Ronnholm D8/76
D402,874 S * 12/1998 Hall D8/76
D519,813 S * 5/2006 Hung D8/76

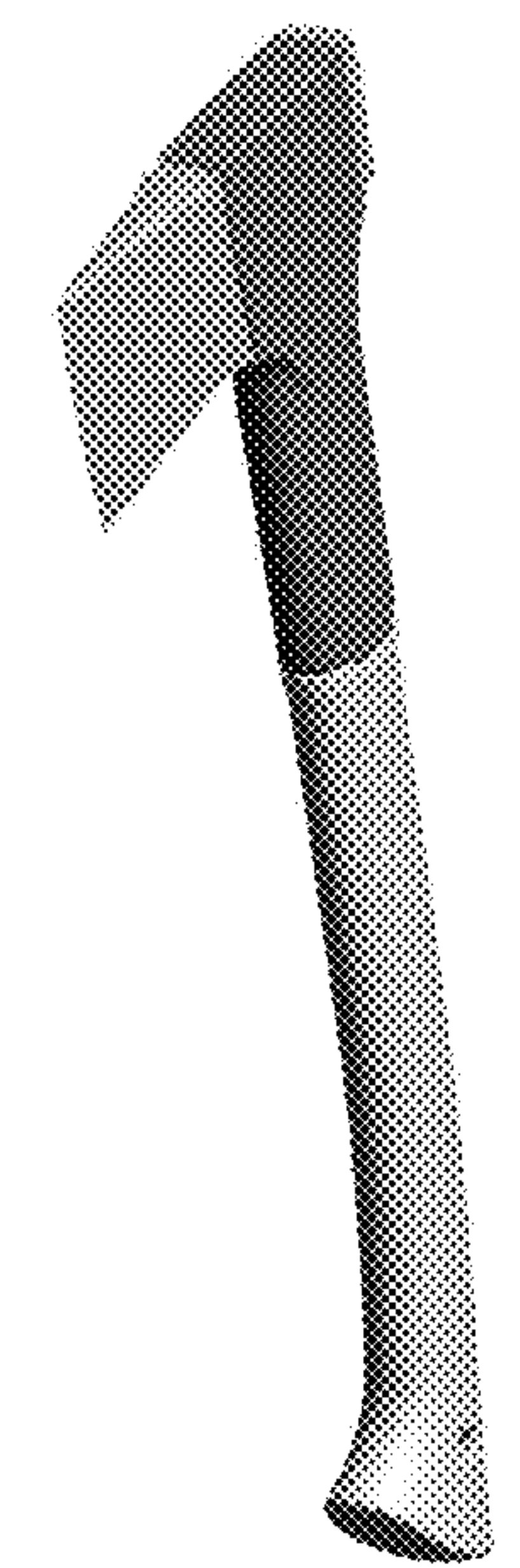
D583,641 S * 12/2008 Fortier D8/76
D594,727 S * 6/2009 Fortier D8/76
D622,122 S * 8/2010 Branby D8/76
D648,610 S * 11/2011 Paloheimo D8/78
D760,054 S * 6/2016 Huttunen D8/76
(Continued)

Primary Examiner — Philip S Hyder
(74) *Attorney, Agent, or Firm* — Leason Ellis LLP

(57) **CLAIM**
The ornamental design for an axe, as shown and described.

DESCRIPTION
The file of this patent contains at least one drawing/photograph executed in color. Copies of this patent with color drawing(s)/photograph(s) will be provided by the Office upon request and payment of the necessary fee.
FIG. 1 is a perspective view of an axe according to our new design, showing a first embodiment comprising a solid rendering having a contrast as between the component parts, as indicated by relative shading;
FIG. 2 is a front view thereof;
FIG. 3 is a rear view thereof;
FIG. 4 is a left side view thereof;
FIG. 5 is a right view thereof;
FIG. 6 is a top plan view thereof; and
FIG. 7 is a bottom plan view thereof.
FIG. 8 is a perspective view of an axe according to our new design, showing a second embodiment;
FIG. 9 is a front view thereof;
FIG. 10 is a rear view thereof;
FIG. 11 is a left side view thereof;
FIG. 12 is a right view thereof;
FIG. 13 is a top plan view thereof; and,
FIG. 14 is a bottom plan view thereof.
Conventional shading and shadows are illustrated for purposes of highlighting the solid-rendering and line drawings, but form no part of the claimed design.

1 Claim, 14 Drawing Sheets
(7 of 14 Drawing Sheet(s) Filed in Color)



(56)

References Cited

U.S. PATENT DOCUMENTS

D784,784 S *	4/2017	Huttunen	D8/80
D808,759 S *	1/2018	Nelson	D8/76
D818,337 S *	5/2018	Nelson	D8/76
D854,903 S *	7/2019	Nelson	D8/76

* cited by examiner

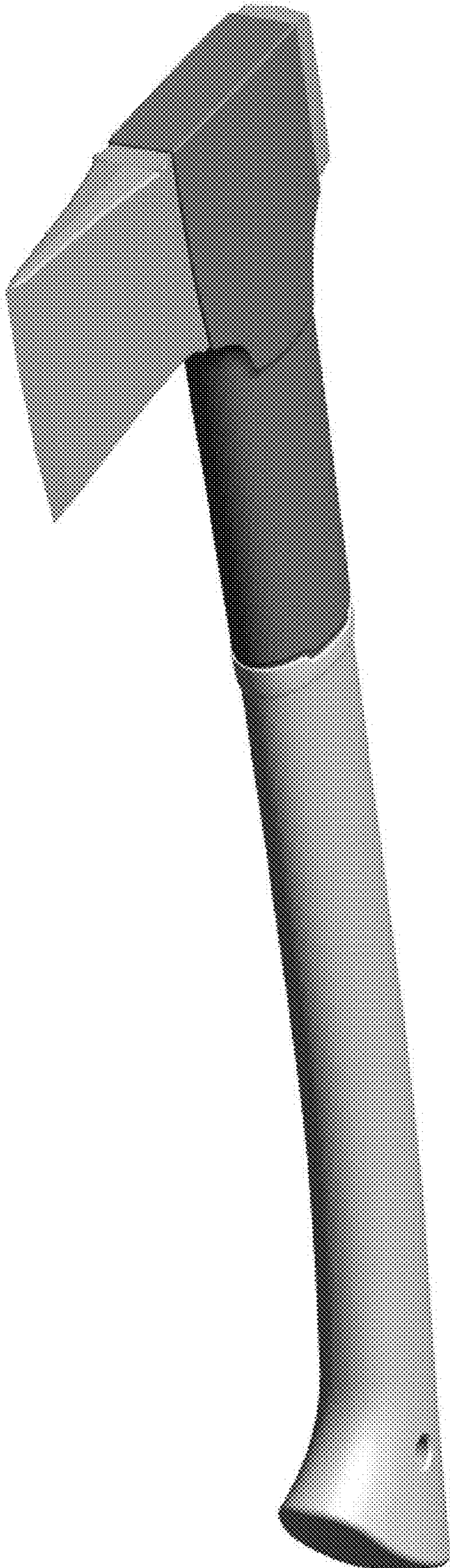


FIG. 1

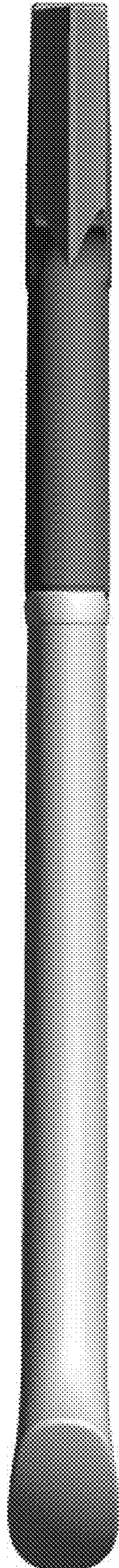


FIG. 2

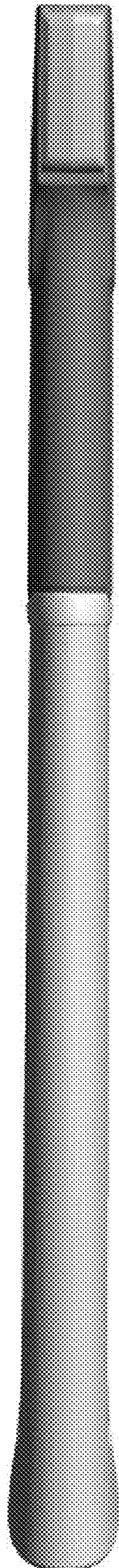


FIG. 3

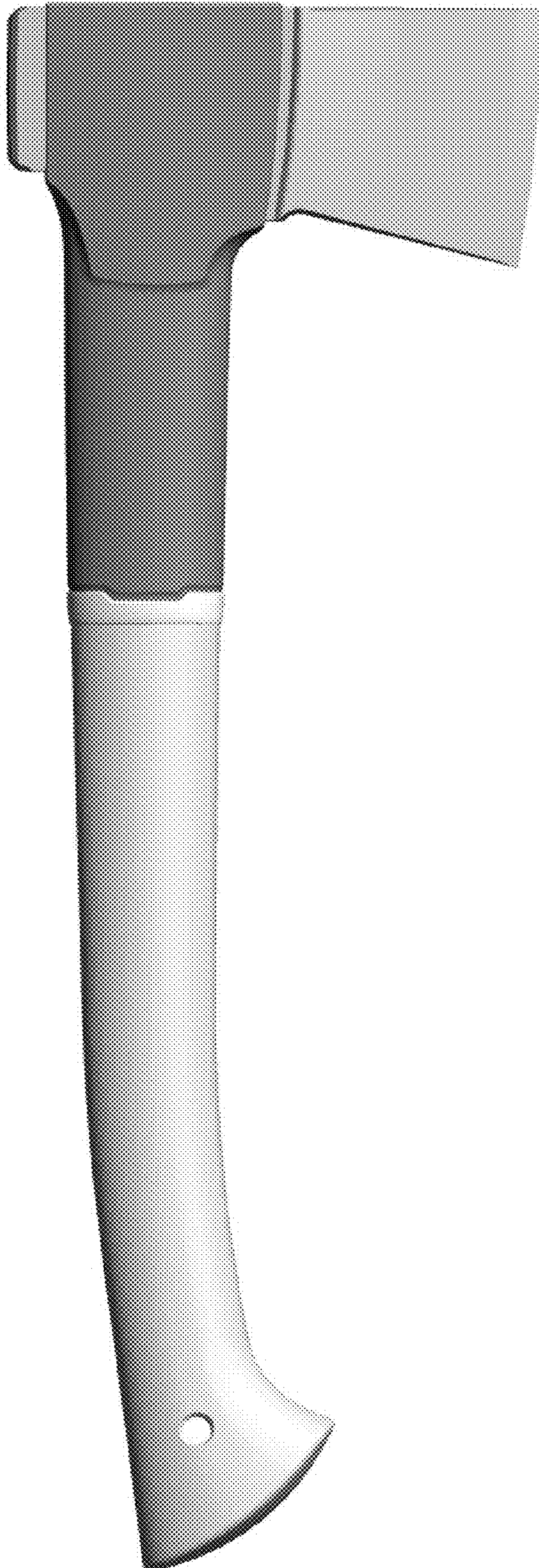


FIG. 4

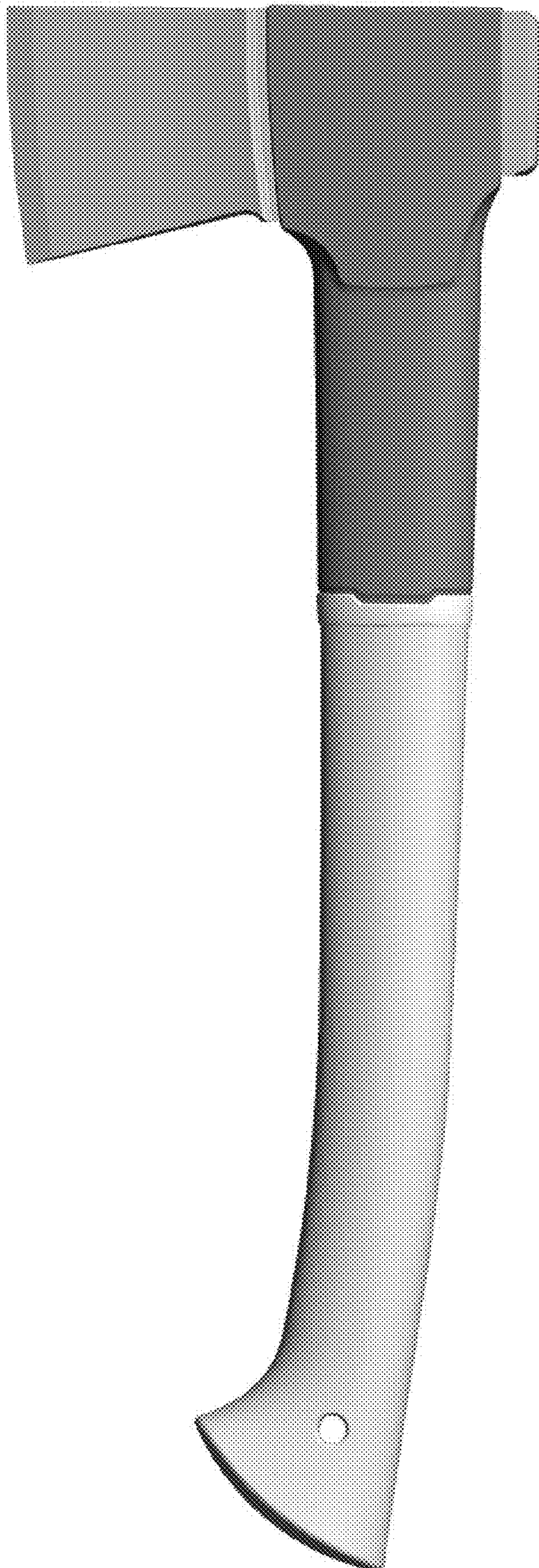


FIG. 5

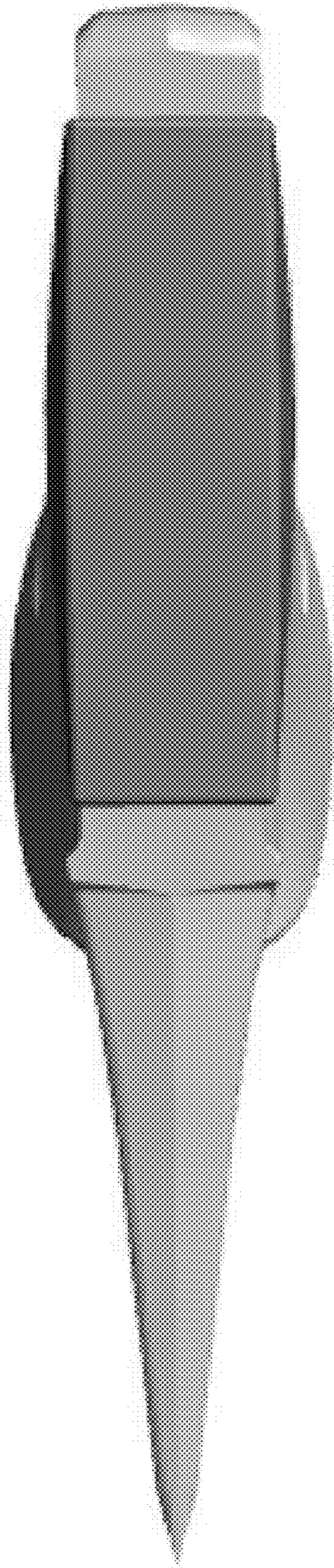


FIG. 6

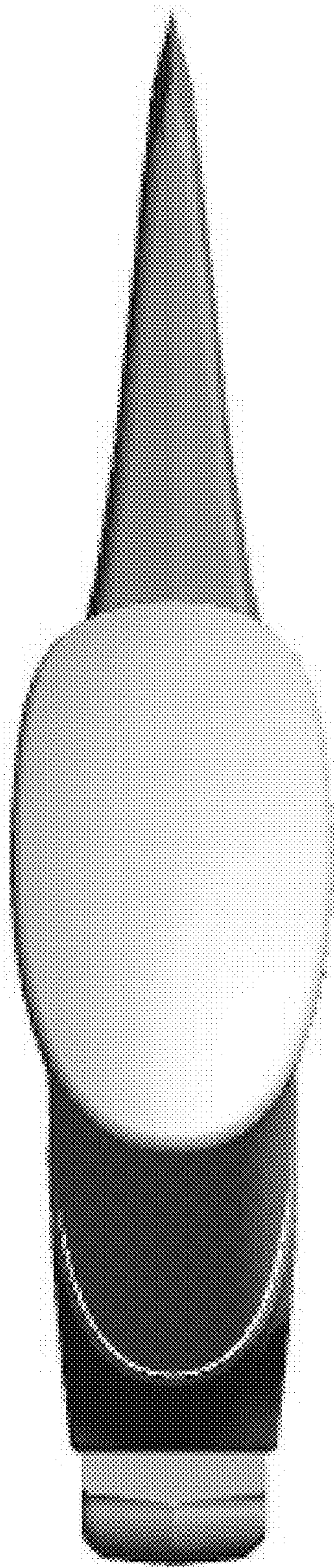


FIG. 7

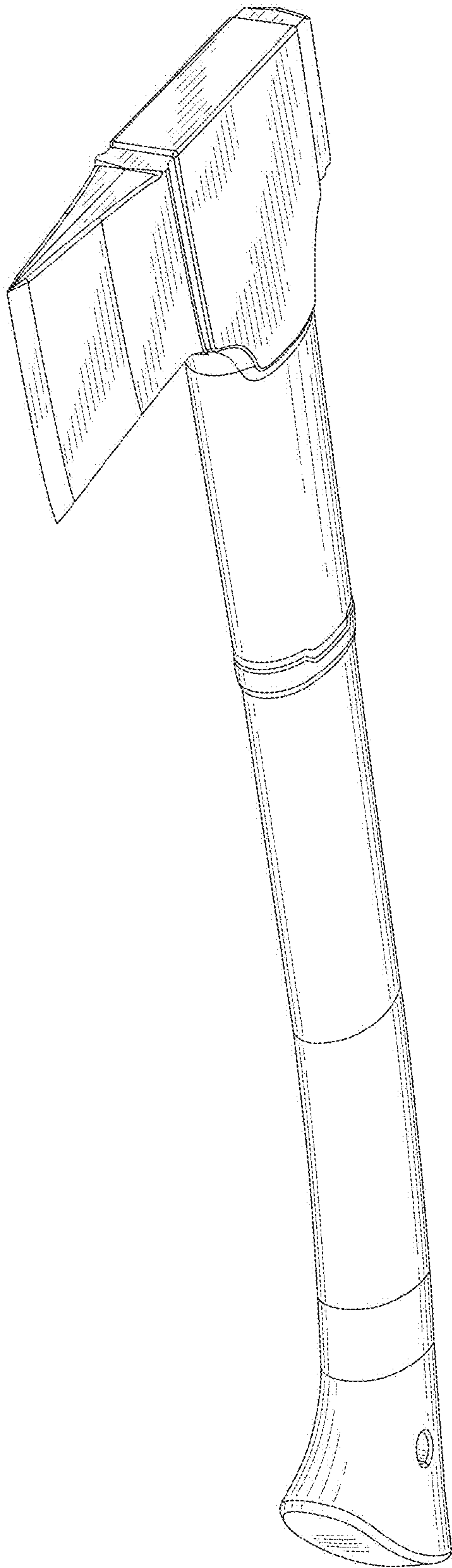


FIG. 8

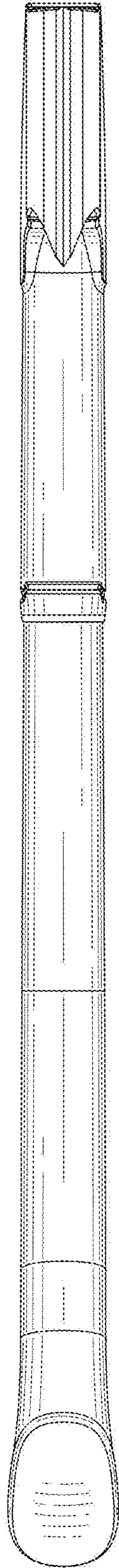


FIG. 9

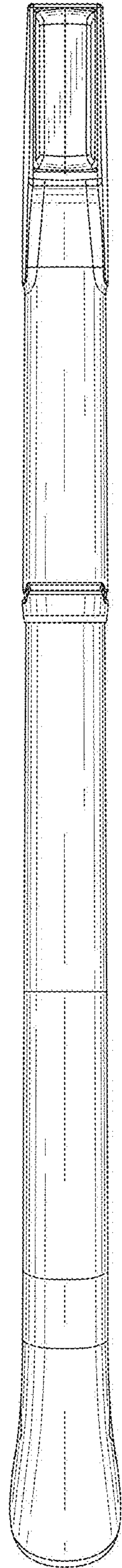


FIG. 10

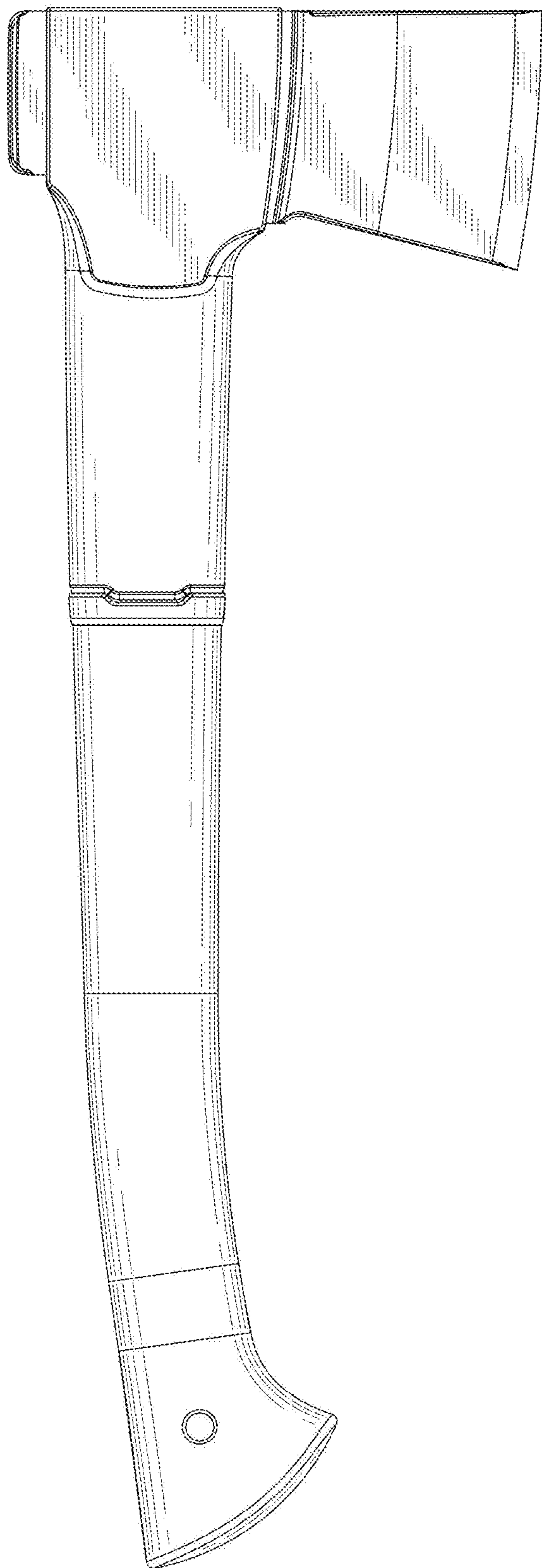


FIG. 11

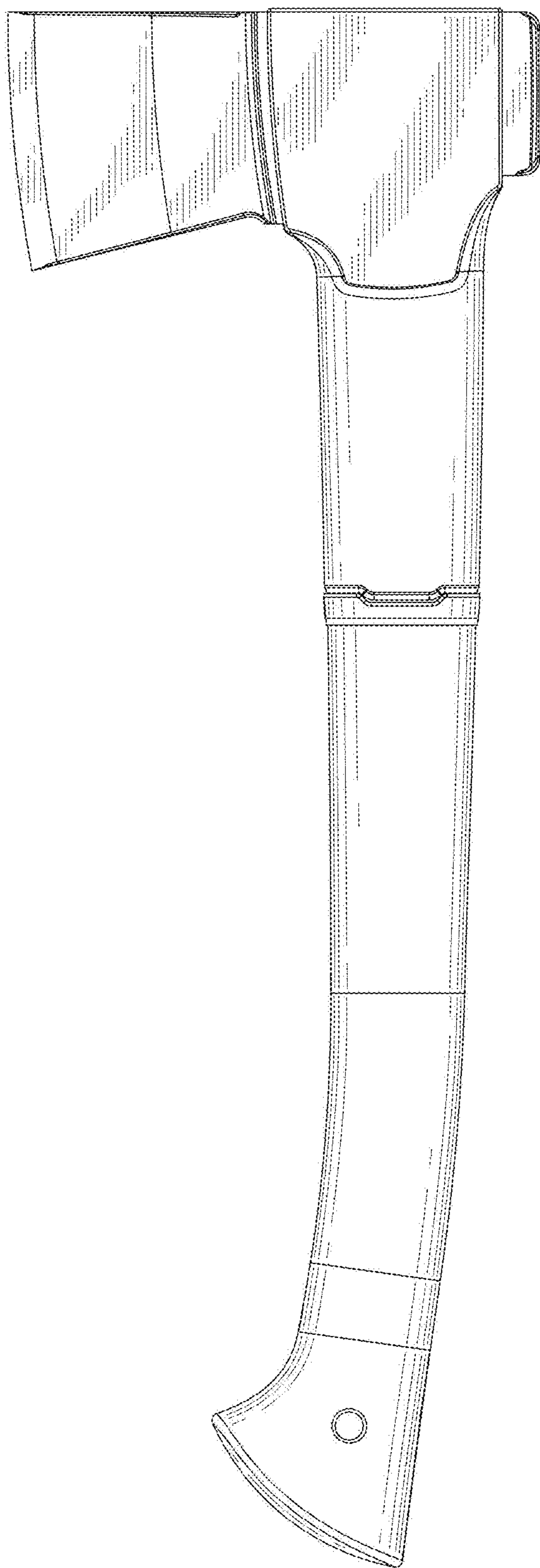


FIG. 12

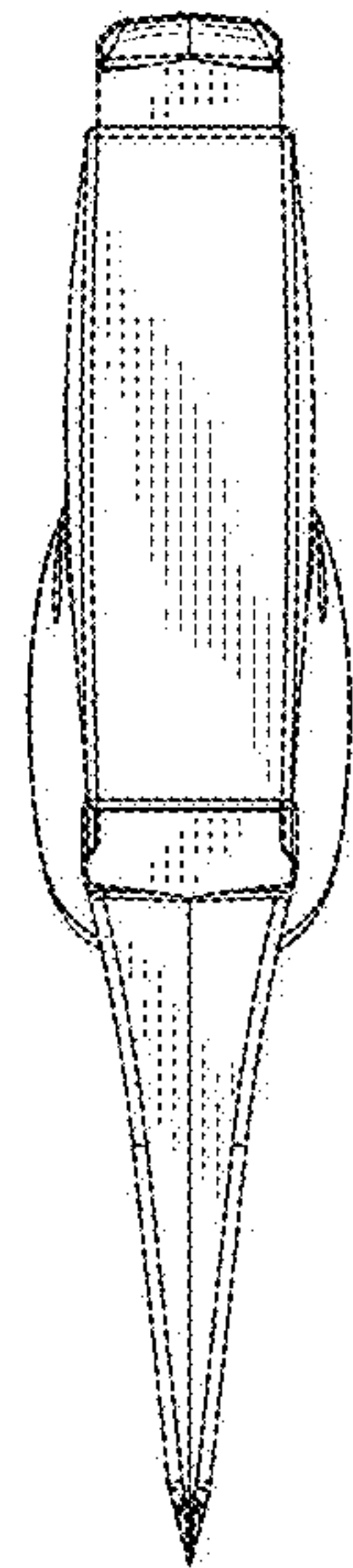


FIG. 13

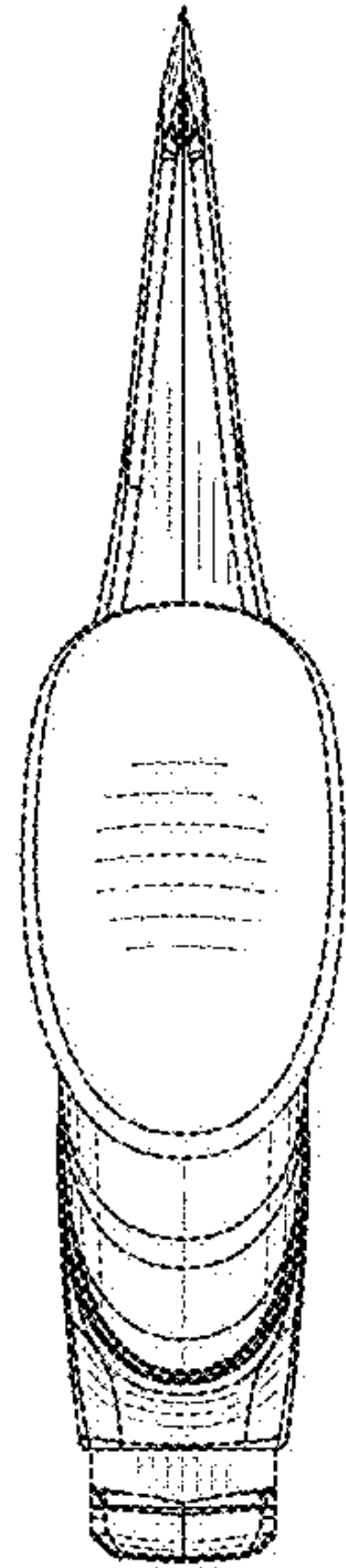


FIG. 14