



US00D909843S

(12) **United States Design Patent** (10) **Patent No.:** **US D909,843 S**
Van Hulst et al. (45) **Date of Patent:** **** Feb. 9, 2021**

(54) **MODULAR ADJUSTABLE CLAMP**

D675,512 S *	2/2013	Gary	D8/395
D750,476 S *	3/2016	Huang	D8/395
D789,779 S *	6/2017	Asai	B60R 16/0215
				D8/396
D836,185 S *	12/2018	Lippka	D23/262
D850,247 S *	6/2019	Sillitoe	D8/394
D859,970 S *	9/2019	Tenander	D8/394
D861,472 S *	10/2019	Sillitoe	D8/394
D863,052 S *	10/2019	Bancroft	D8/394

(71) Applicant: **HellermannTyton Corporation**,
Milwaukee, WI (US)

(72) Inventors: **Kenneth J. Van Hulst**, Menomonee Falls, WI (US); **Emanuel Ruelas Cabrera**, Corregidora (MX); **Scott J. Adams**, Menomonee Falls, WI (US); **Eric J. Haftarski**, Big Bend, WI (US)

(73) Assignee: **HellermannTyton Corporation**,
Milwaukee, WI (US)

(**) Term: **15 Years**

(21) Appl. No.: **29/667,410**

(22) Filed: **Oct. 22, 2018**

(51) **LOC (13) Cl.** **08-05**

(52) **U.S. Cl.**
USPC **D8/72**

(58) **Field of Classification Search**
USPC D8/71-74, 394-399, 59; 248/63, 72, 248/74.1, 689, 124.2; 81/487, 385, 386, 81/388-390; 269/3, 4, 6, 143, 165, 240, 269/243, 246-249, 254 R, 147-149; 29/256, 257, 276; 408/103, 104-109
CPC B25B 1/00; B25B 5/00
See application file for complete search history.

(56) **References Cited**

U.S. PATENT DOCUMENTS

D323,106 S *	1/1992	Daigle	D8/396
D417,837 S *	12/1999	Nakamura	D8/1
D537,334 S *	2/2007	Lee	D8/396
D580,748 S *	11/2008	Polak	D8/394
D640,536 S *	6/2011	Larsen	D8/394

OTHER PUBLICATIONS

“Final Office Action”, U.S. Appl. No. 29/667,422, dated Jun. 10, 2020, 10 pages.

“Notice of Allowance”, U.S. Appl. No. 29/667,422, dated Sep. 30, 2020, 5 pages.

* cited by examiner

Primary Examiner — David G Muller

(74) *Attorney, Agent, or Firm* — Colby Nipper PLLC

(57) **CLAIM**

We claim an ornamental design for a modular adjustable clamp, as shown and described.

DESCRIPTION

FIG. 1 is a perspective front view of the modular adjustable clamp;

FIG. 2 is a perspective rear view thereof;

FIG. 3 is a top plan elevation view thereof;

FIG. 4 is a right side elevation view thereof;

FIG. 5 is a front elevation view thereof;

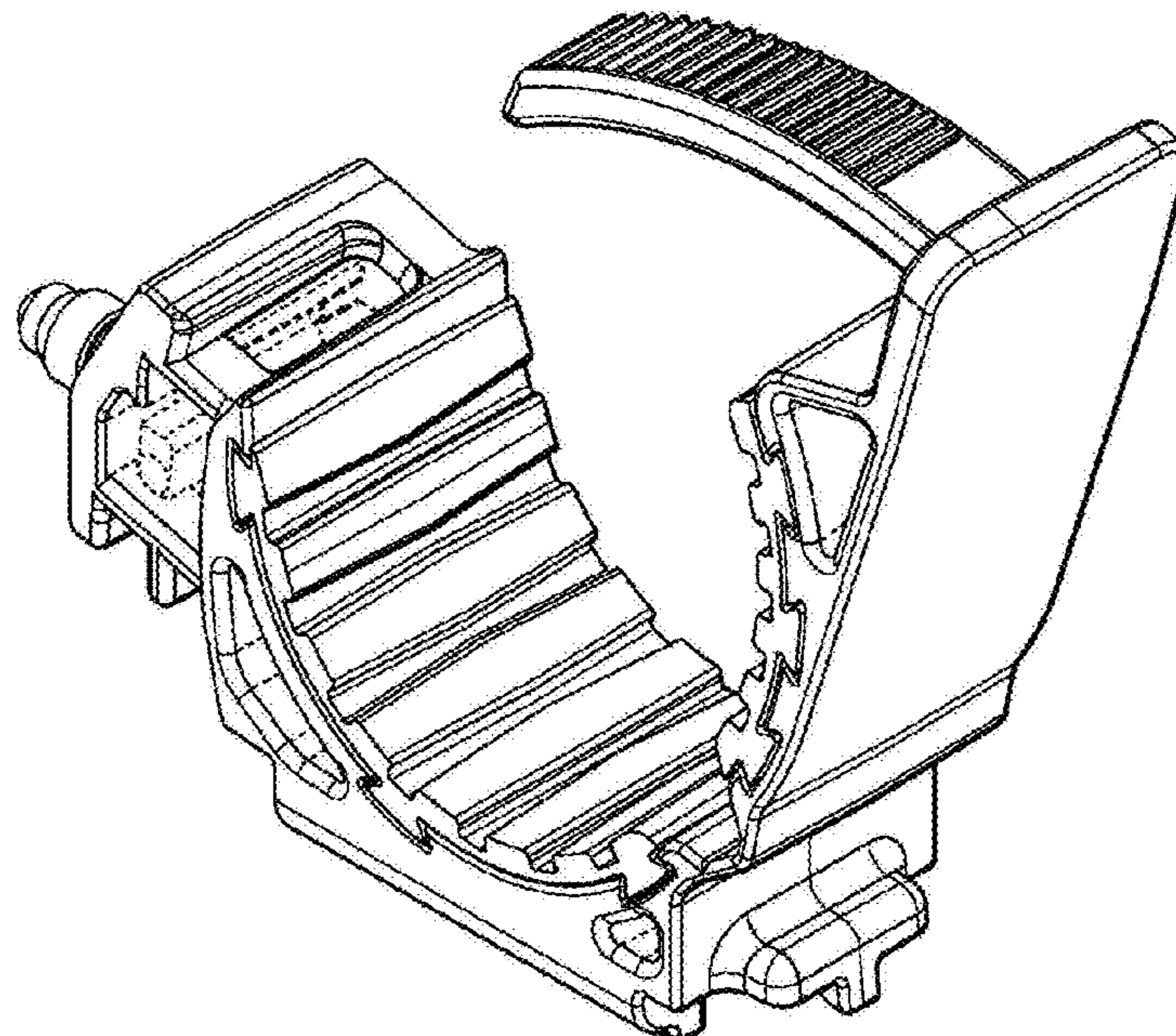
FIG. 6 is a right side elevation view thereof;

FIG. 7 is a back elevation view thereof; and,

FIG. 8 is a bottom plan view thereof.

The broken lines that illustrate portions of the modular adjustable clamp form no part of the claimed design.

1 Claim, 3 Drawing Sheets



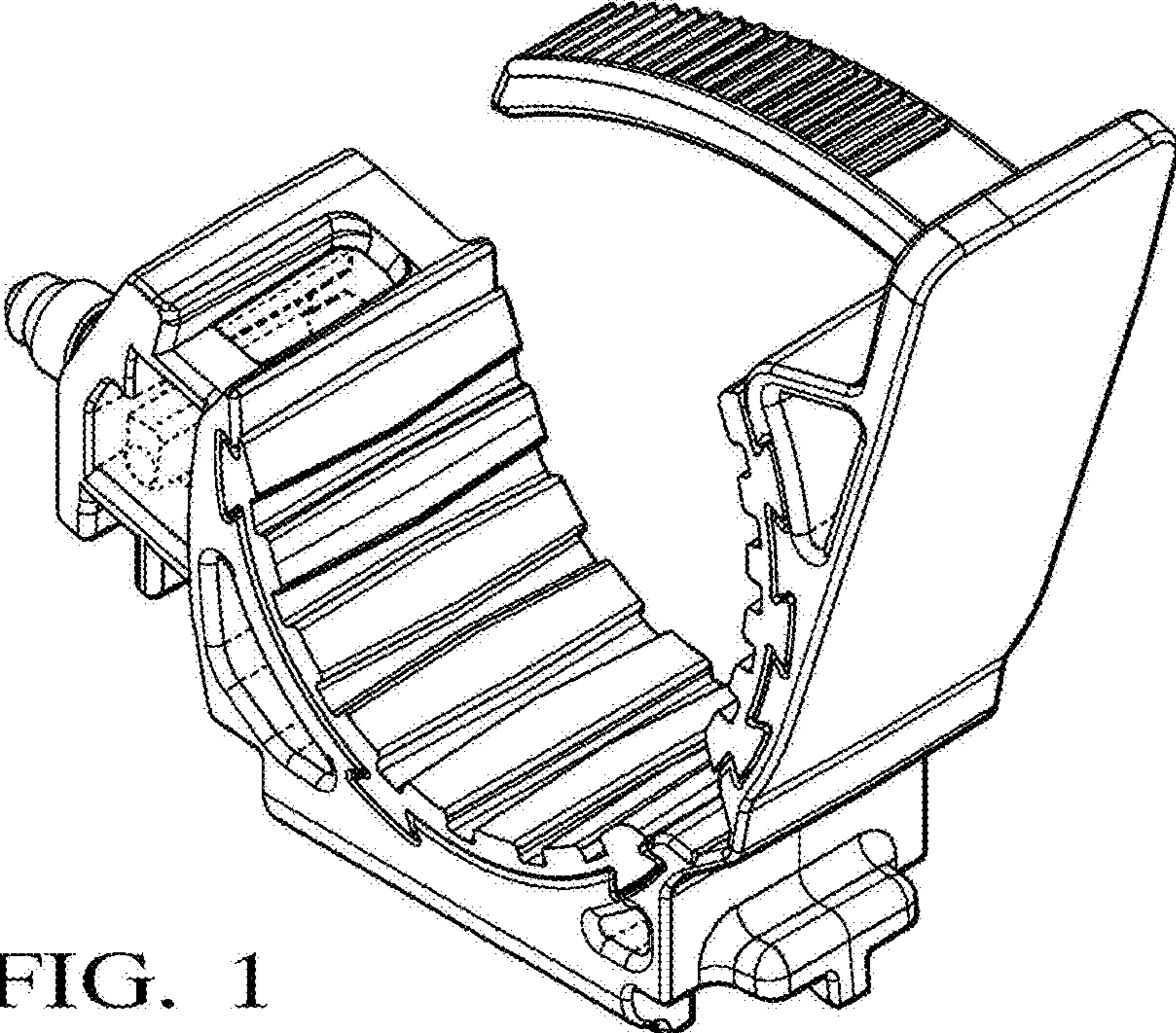


FIG. 1

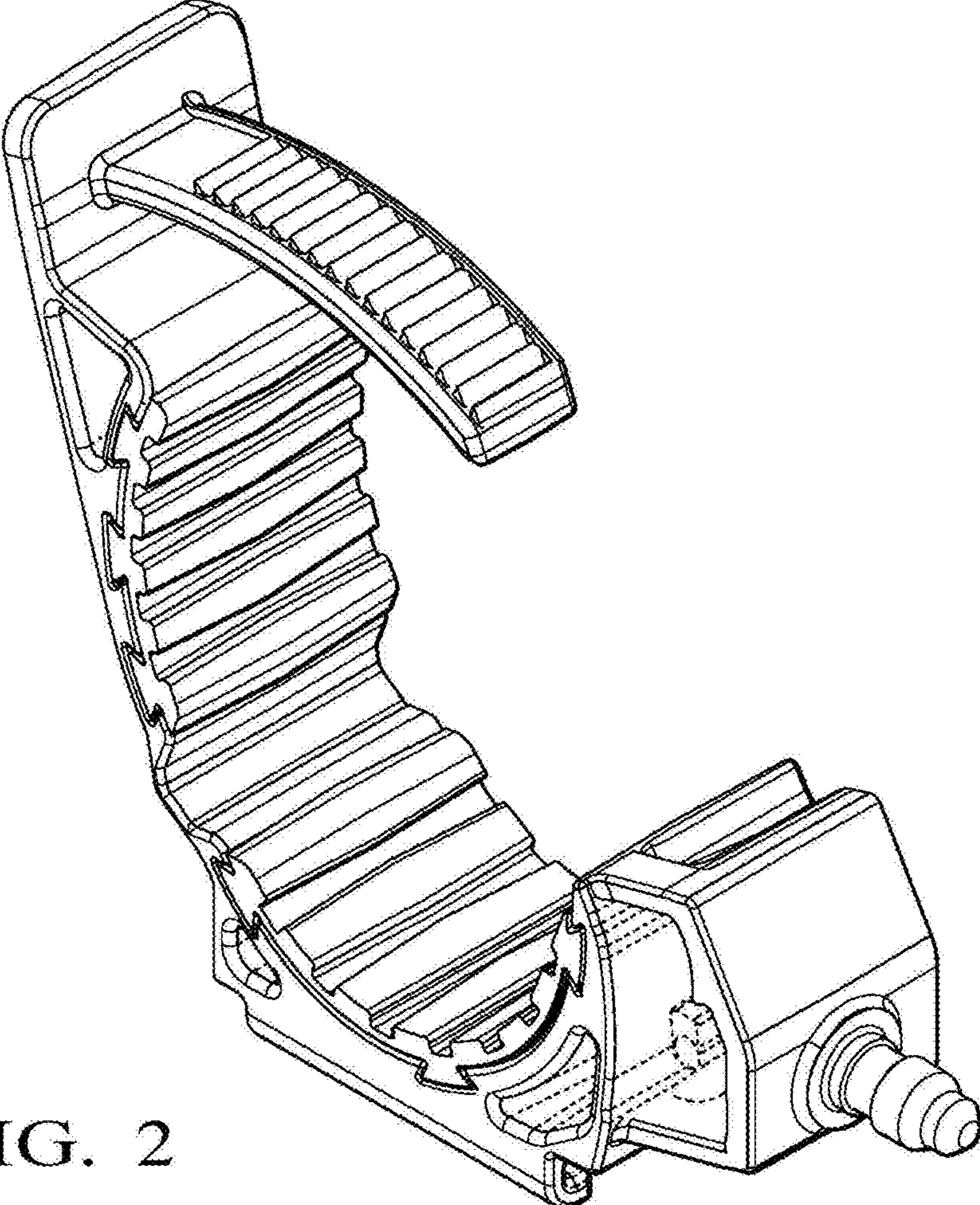


FIG. 2

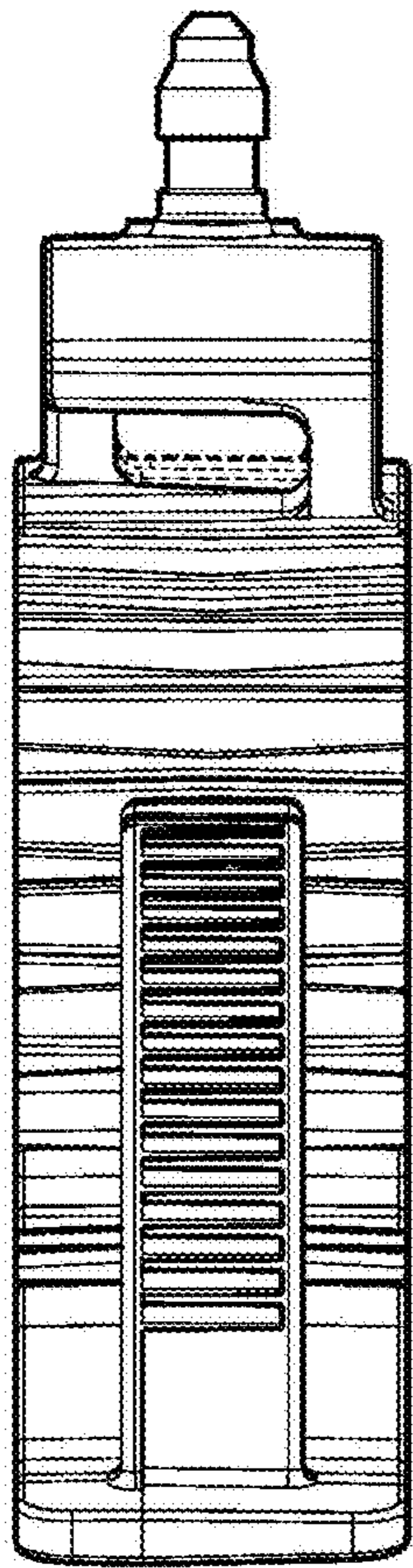


FIG. 3

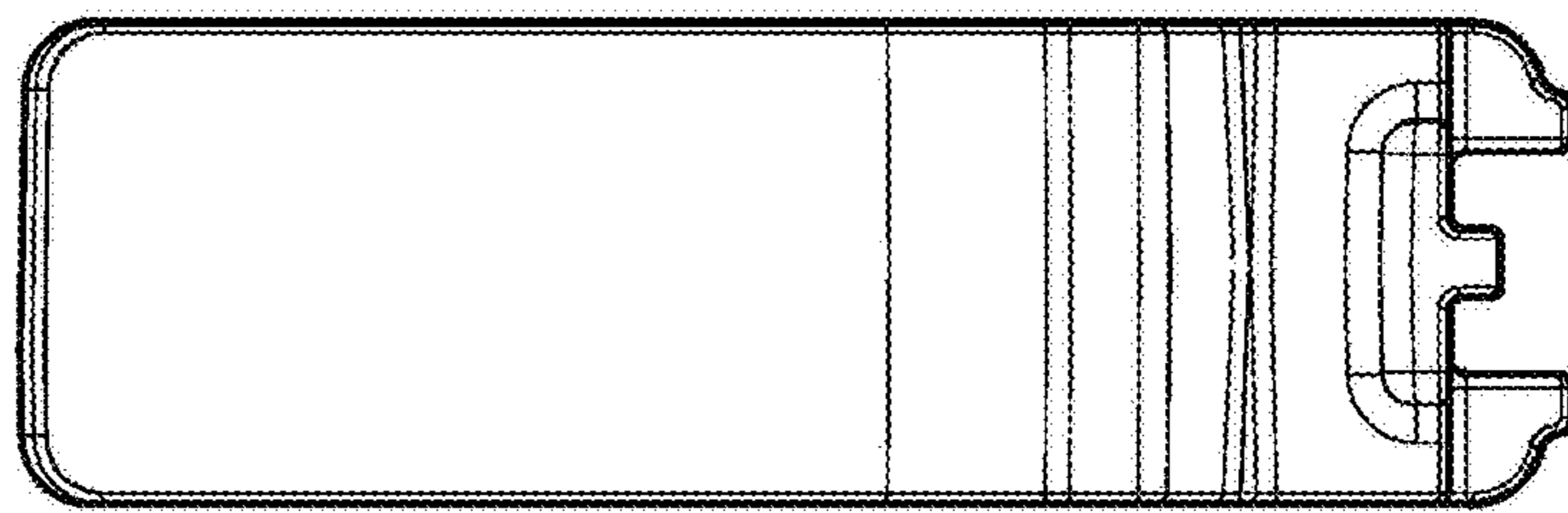


FIG. 4

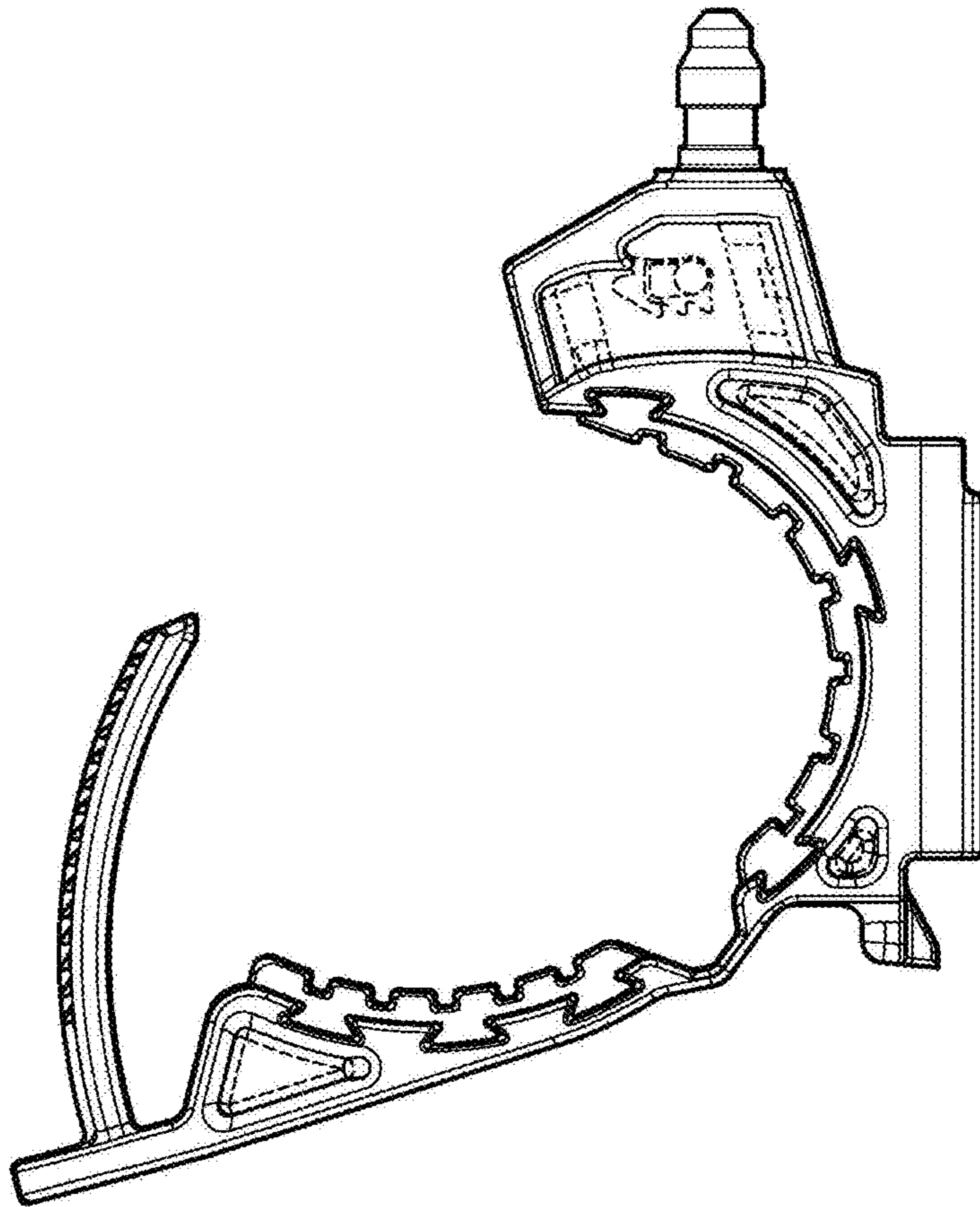


FIG. 5

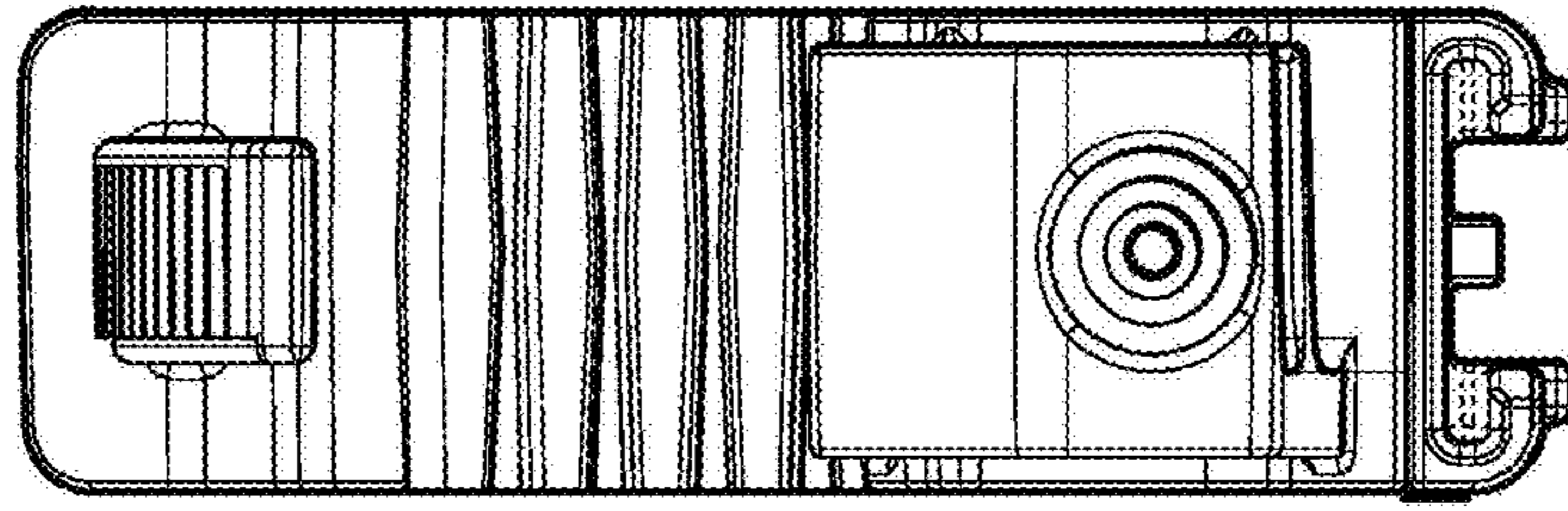


FIG. 6

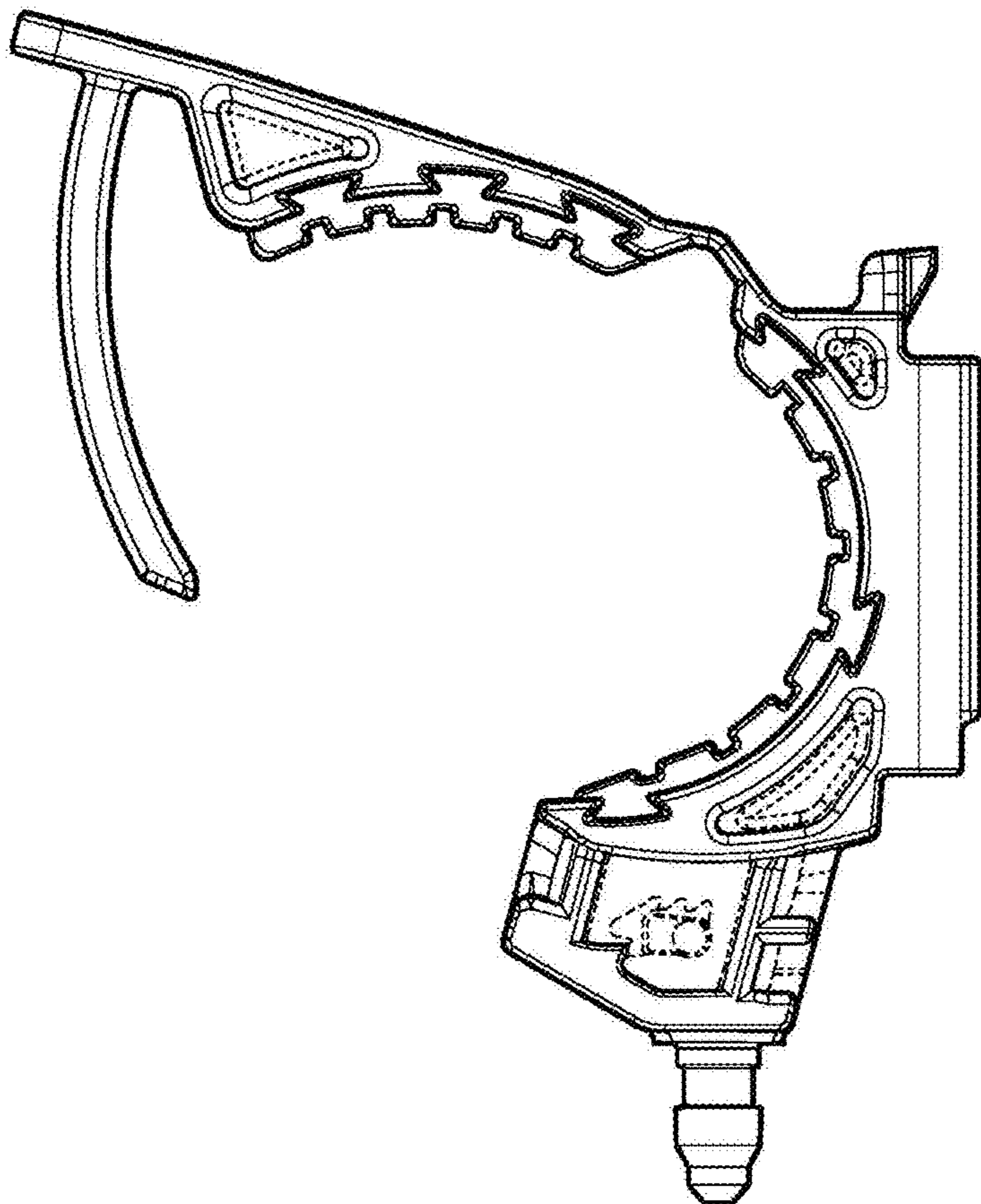


FIG. 7

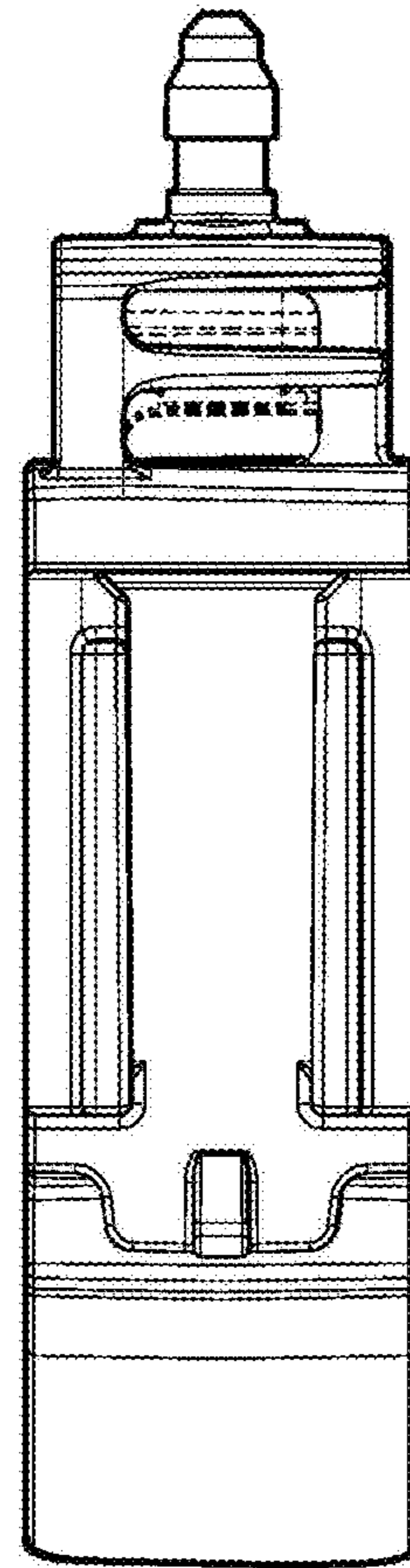


FIG. 8