



US00D909842S

(12) **United States Design Patent** (10) **Patent No.:** **US D909,842 S**  
**Kukucka et al.** (45) **Date of Patent:** **\*\* \*Feb. 9, 2021**

(54) **SOCKET HOLDER RAIL BODY OF A TOOL HOLDING DEVICE**

(71) Applicant: **GRIP HOLDINGS LLC**, Brandon, FL (US)

(72) Inventors: **Paul Kukucka**, Brandon, FL (US);  
**Thomas Stefan Kukucka**, Brandon, FL (US)

(73) Assignee: **GRIP HOLDINGS LLC**, Brandon, FL (US)

(\*) Notice: This patent is subject to a terminal disclaimer.

(\*\*) Term: **15 Years**

(21) Appl. No.: **29/731,316**

(22) Filed: **Apr. 14, 2020**

**Related U.S. Application Data**

(63) Continuation-in-part of application No. 16/738,255, filed on Jan. 9, 2020, which is a continuation-in-part of application No. 29/710,567, filed on Oct. 24, 2019, which is a continuation-in-part of application No. 16/284,558, filed on Feb. 25, 2019, which is a continuation-in-part of application No. PCT/IB2018/060749, filed on Dec. 31, 2018.

(51) **LOC (13) Cl.** ..... **08-01**

(52) **U.S. Cl.**  
USPC ..... **D8/71; D3/312**

(58) **Field of Classification Search**  
USPC ..... D3/226, 228, 245, 246, 283-284, D3/303-304, 308, 313, 315, 319, 328, D3/312; D6/515, 567, 574, 675, 682, D6/682.1; D8/349, 354, 373, 376, 71, D8/32, 321  
CPC ..... B25H 3/003; B25H 3/006; B25H 3/06; B25F 25/006; B25F 5/02; B25F 5/021; B25B 29/00; B25B 33/00

See application file for complete search history.

(56) **References Cited**

U.S. PATENT DOCUMENTS

D251,071 S *	2/1979	Brady	.....	D25/119
D251,806 S *	5/1979	Brady	.....	D25/119
D322,486 S *	12/1991	Westphal	.....	D25/122
5,148,925 A	9/1992	Althoff et al.		
D345,427 S *	3/1994	Moss	.....	D25/119
5,398,823 A	3/1995	Anders		
D364,104 S *	11/1995	Johnson	.....	D10/69

(Continued)

FOREIGN PATENT DOCUMENTS

WO	DM/035 785	5/1996
WO	DM/087 380	1/2016

*Primary Examiner* — Kelley A Donnelly

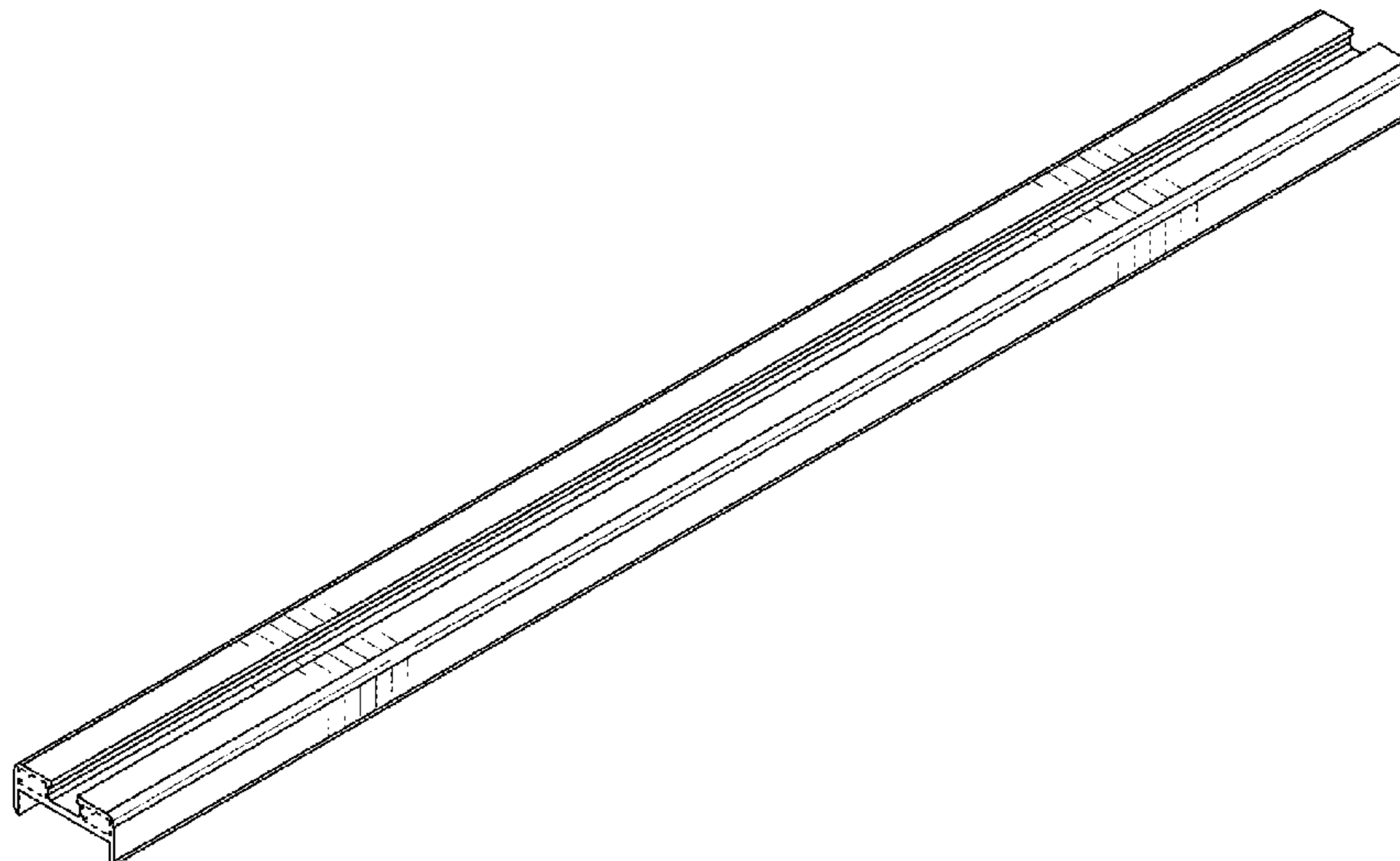
(57) **CLAIM**

The ornamental design for a socket holder rail body of a tool holding device, as shown and described.

**DESCRIPTION**

FIG. 1 is a top perspective view of a socket holder rail body of a tool holding device showing my new design; FIG. 2 is a bottom perspective view thereof; FIG. 3 is a front elevational view thereof; the rear view being a mirror image; FIG. 4 is a top plan view thereof; and, FIG. 5 is a right side elevation view thereof; the left side being a mirror image. The left side elevational view is a mirror image of the right elevational view. The rear elevational view is a mirror image of the front elevational view. The broken line showing the socket holder rail body of a tool holding device in FIGS. 1-3 are included for the purpose of showing environmental structure and form no part of the claimed design.

**1 Claim, 5 Drawing Sheets**



(56)

**References Cited**

## U.S. PATENT DOCUMENTS

D422,718 S \* 4/2000 Chaney ..... D25/122  
D424,213 S \* 5/2000 Chaney ..... D25/122  
D457,052 S 5/2002 Snyder  
6,435,357 B1 8/2002 Lee  
7,669,723 B2 4/2010 Kao  
D669,685 S \* 10/2012 Legreca ..... D3/304  
D669,769 S \* 10/2012 Lapping ..... D25/122  
8,813,957 B1 \* 8/2014 Kao ..... B25H 3/003  
206/378  
D742,546 S \* 11/2015 Singh ..... D25/119  
D748,395 S 2/2016 Hsieh  
9,538,862 B2 \* 1/2017 Kao ..... B25H 3/003  
D787,185 S 5/2017 Hsieh  
9,662,781 B1 \* 5/2017 Kao ..... B25H 3/04  
D800,347 S \* 10/2017 Blick ..... D25/119  
D803,566 S \* 11/2017 Hsieh ..... D3/312  
9,821,451 B1 \* 11/2017 Kao ..... B25H 3/04  
9,878,441 B1 \* 1/2018 Kao ..... B25H 3/06  
D818,194 S \* 5/2018 Trzesniowski ..... D26/138  
10,105,835 B1 \* 10/2018 Kao ..... B25H 3/04  
D852,017 S \* 6/2019 Kao ..... D8/71  
D872,931 S \* 1/2020 Tremaine ..... D26/138  
D874,025 S \* 1/2020 Kittur ..... D25/119  
D877,686 S \* 3/2020 Connellan ..... D12/412  
2015/0336262 A1 \* 11/2015 Kao ..... B25H 3/003  
206/378  
2017/0259425 A1 \* 9/2017 Kao ..... B25H 3/003  
2017/0312910 A1 \* 11/2017 Kao ..... B25H 3/04  
2017/0361453 A1 \* 12/2017 Kao ..... B25H 3/04  
2020/0147800 A1 \* 5/2020 Chen ..... B66F 9/24

\* cited by examiner

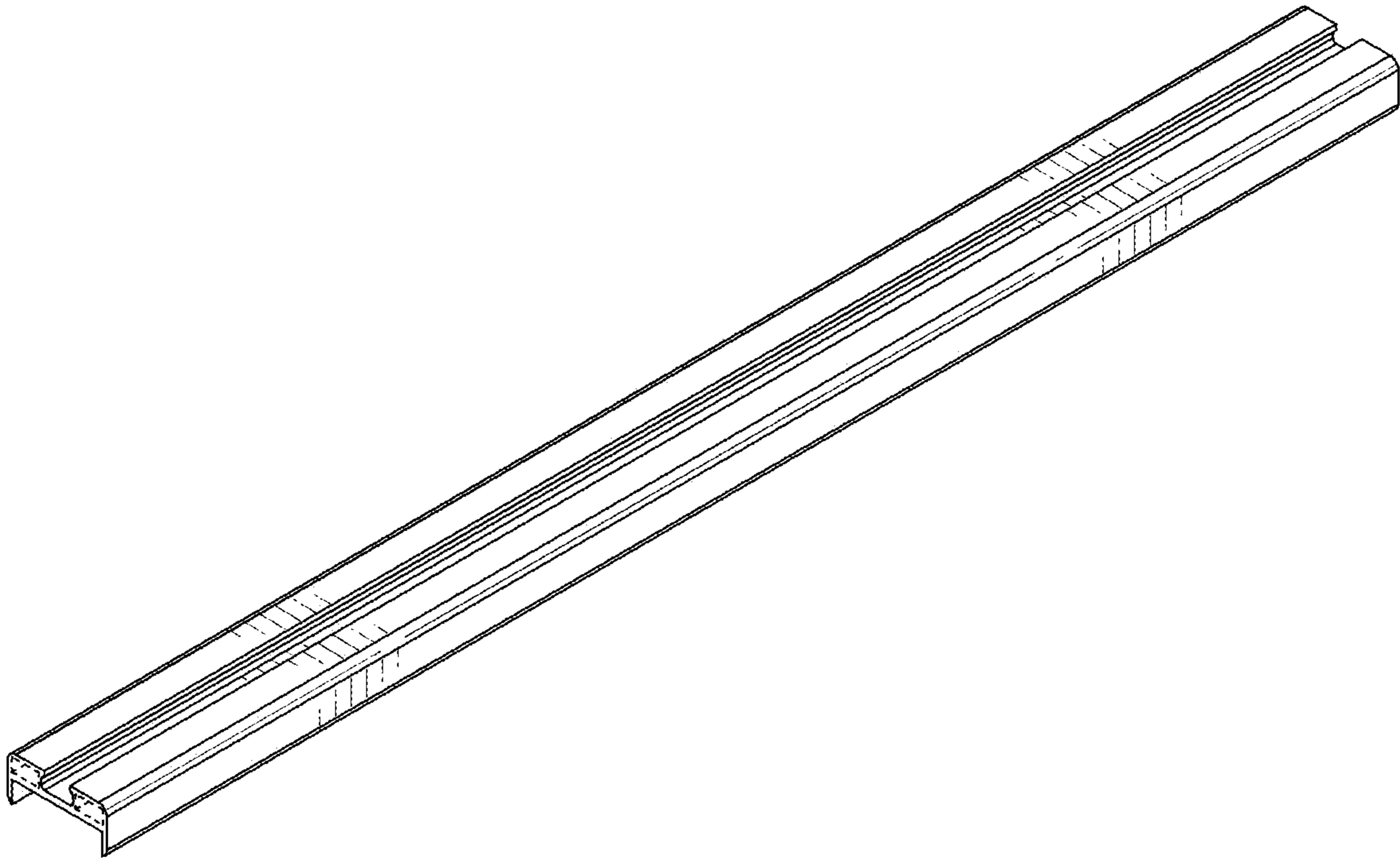


FIG.1

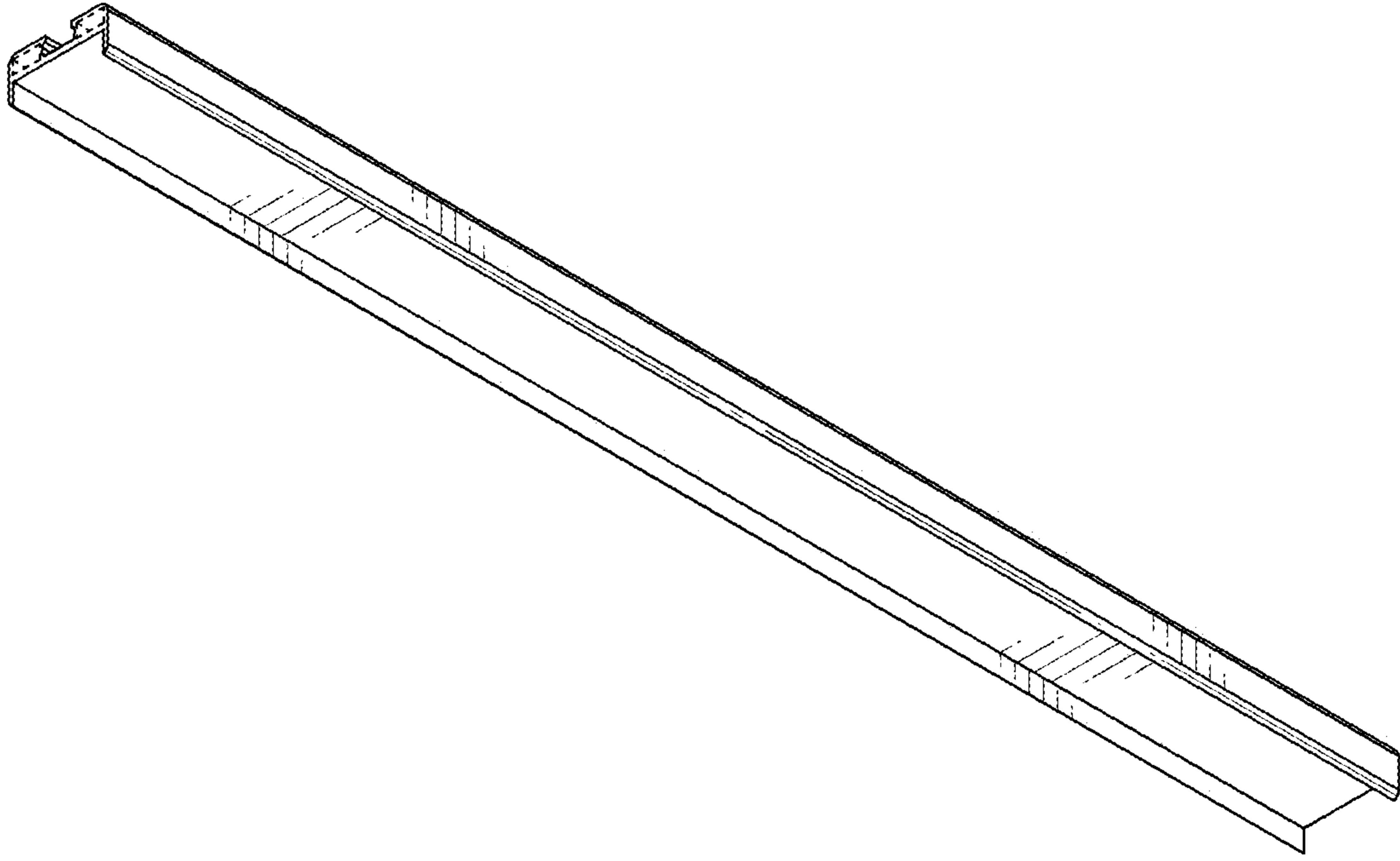


FIG.2

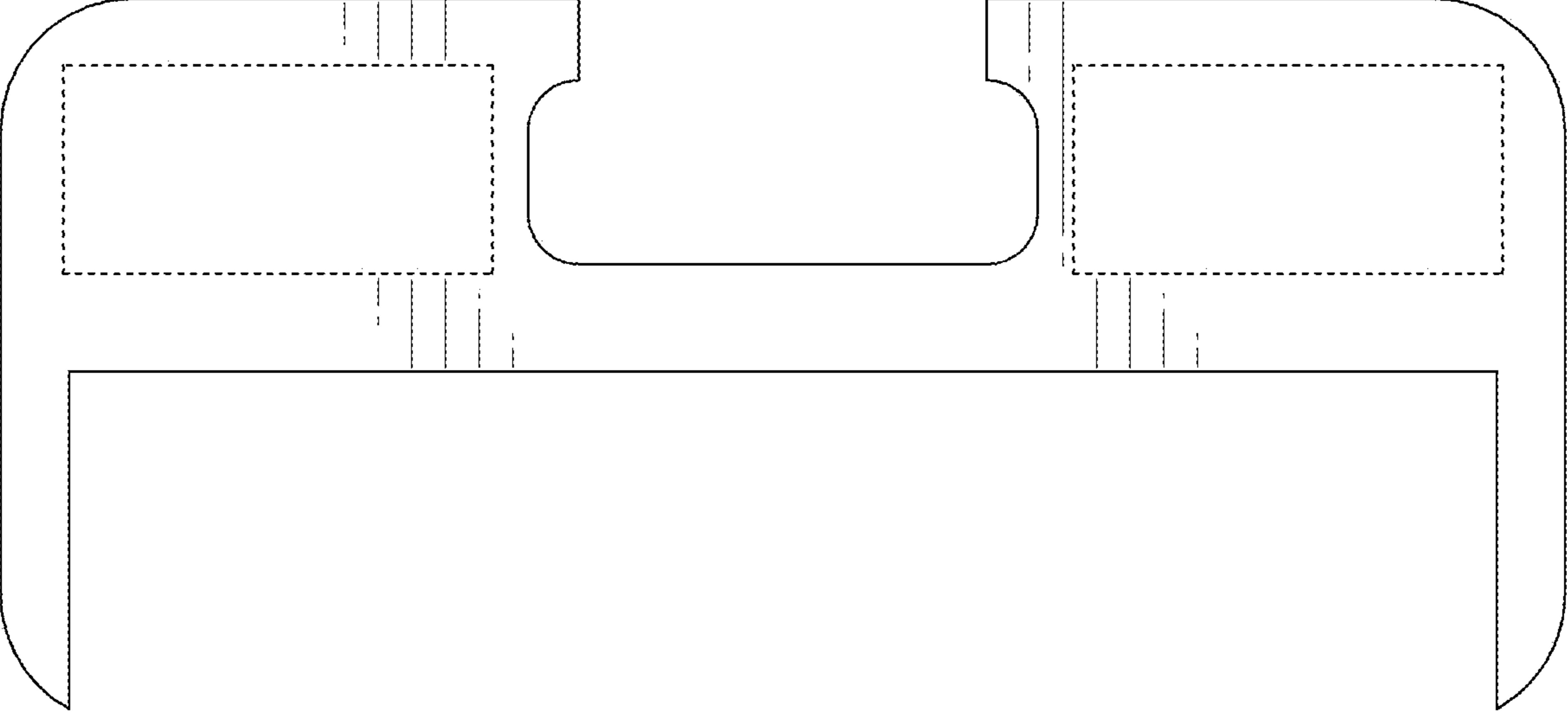


FIG.3

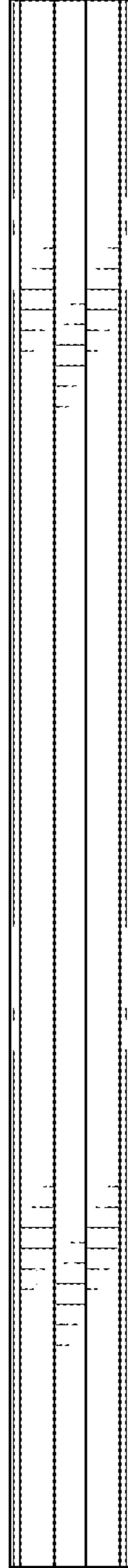


FIG.4



FIG.5