



US00D909841S

(12) **United States Design Patent**
Bell et al.

(10) **Patent No.: US D909,841 S**

(45) **Date of Patent: ** Feb. 9, 2021**

(54) **POWER TOOL**

(71) Applicant: **Robert Bosch GmbH**, Stuttgart (DE)

(72) Inventors: **Andreas Bell**, Cicero, IL (US); **Ross Brinkman**, Chicago, IL (US); **Charlie Chiappetta**, Elmhurst, IL (US); **Peter Wierzchon**, Morton Grove, IL (US); **Corey Hinkel**, Chicago, IL (US); **Ramon Tam**, Buffalo Grove, IL (US); **Patricia Howes**, Chicago, IL (US)

(73) Assignees: **Robert Bosch Power Tools GmbH**, Leinfelden-Echterdingen (DE); **Robert Bosch GmbH**, Stuttgart (DE)

(**) Term: **15 Years**

(21) Appl. No.: **29/712,450**

(22) Filed: **Nov. 8, 2019**

(51) **LOC (13) Cl. 08-05**

(52) **U.S. Cl.**
USPC **D8/68**

(58) **Field of Classification Search**
USPC D8/61-70
CPC .. B25C 1/001; B25C 1/04; B25C 1/06; B25C 1/041; B25C 1/047
See application file for complete search history.

(56) **References Cited**

U.S. PATENT DOCUMENTS

- 6,045,024 A * 4/2000 Phillips B25C 1/005
227/10
- D435,769 S * 1/2001 Etter D8/68
- D475,597 S * 6/2003 Arai D8/68
- D478,490 S * 8/2003 Wu D8/68
- D479,110 S * 9/2003 Nolan D8/68
- 6,913,180 B2 * 7/2005 Schuster B25C 1/005
227/109
- D512,622 S * 12/2005 Thomas D8/69

- D553,931 S * 10/2007 Buck D8/68
- 7,284,685 B1 * 10/2007 Wojcicki B25C 1/005
227/119
- 7,413,105 B1 * 8/2008 Ho B25C 1/001
227/120

(Continued)

OTHER PUBLICATIONS

Jim Wilcox. "The Best Finish Nailer." the Smart Consumer, Feb. 10, 2018 [online], [retrieved on Oct. 12, 2020]. Retrieved from the Internet <URL: <https://www.thesmartconsumer.com/best-finish-nailer>>.*

(Continued)

Primary Examiner — Darlington Ly

(74) Attorney, Agent, or Firm — Maginot, Moore & Beck LLP

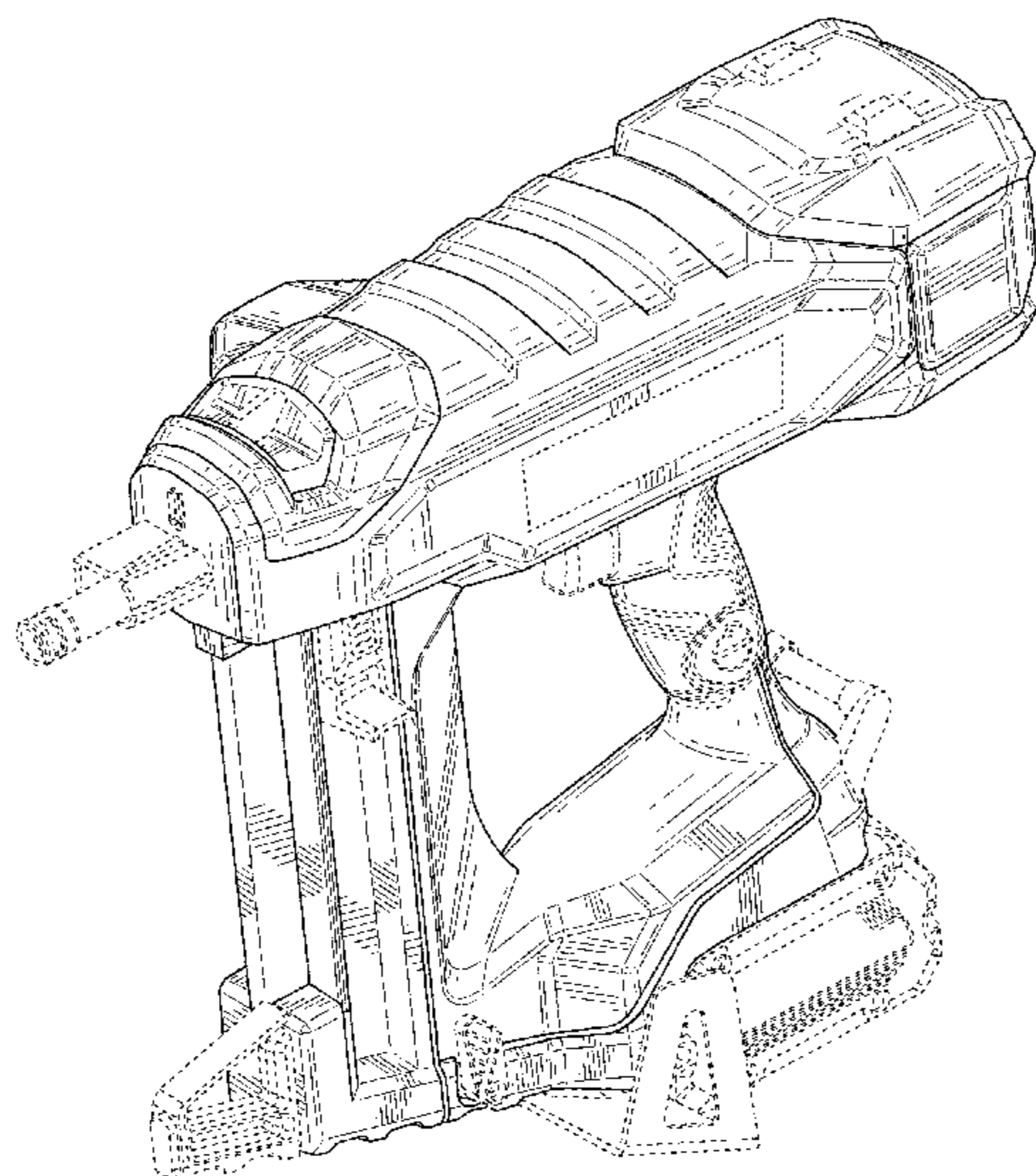
(57) **CLAIM**

The ornamental design for a power tool, as shown and described.

DESCRIPTION

FIG. 1 is a top side perspective view of a power tool showing our new design;
FIG. 2 is a bottom side perspective view of the power tool of FIG. 1;
FIG. 3 is a front elevational view of the power tool of FIG. 1;
FIG. 4 is a rear elevational view of the power tool of FIG. 1;
FIG. 5 is a left side elevational view of the power tool of FIG. 1;
FIG. 6 is a right side elevational view of the power tool of FIG. 1;
FIG. 7 is a top plan view of the power tool of FIG. 1; and, FIG. 8 is a bottom plan view of the power tool of FIG. 1. The broken lines shown in the drawings illustrate portions of the power tool that form no part of the claimed design.

1 Claim, 8 Drawing Sheets



(56)

References Cited

U.S. PATENT DOCUMENTS

7,516,532 B2* 4/2009 Wojcicki B25C 1/005
227/109
2006/0118591 A1* 6/2006 Ho B25C 1/008
227/8
2009/0050668 A1* 2/2009 Jian B25C 5/16
227/126

OTHER PUBLICATIONS

Michael M Selby. "7 Best Finish Nailer Reviews 2019 | A Complete Buying Guide to Choose Top Finish Nailerr." Tools Ivy., Dec. 31, 2018 [online], [retrieved on Oct. 12, 2020]. Retrieved from the Internet <URL: <https://toolsivy.com/best-finish-nailer/>>.*

* cited by examiner

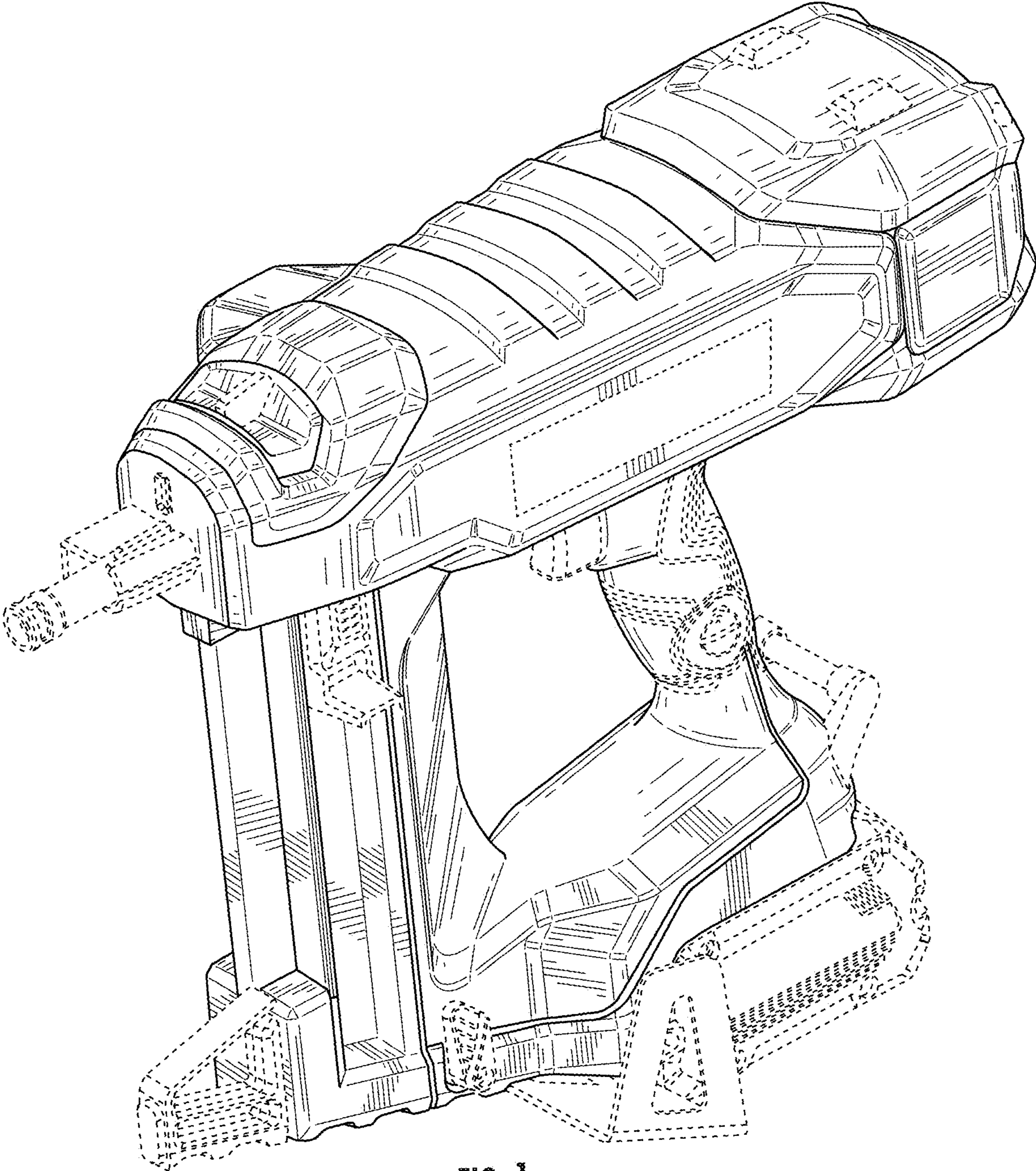


FIG. 1

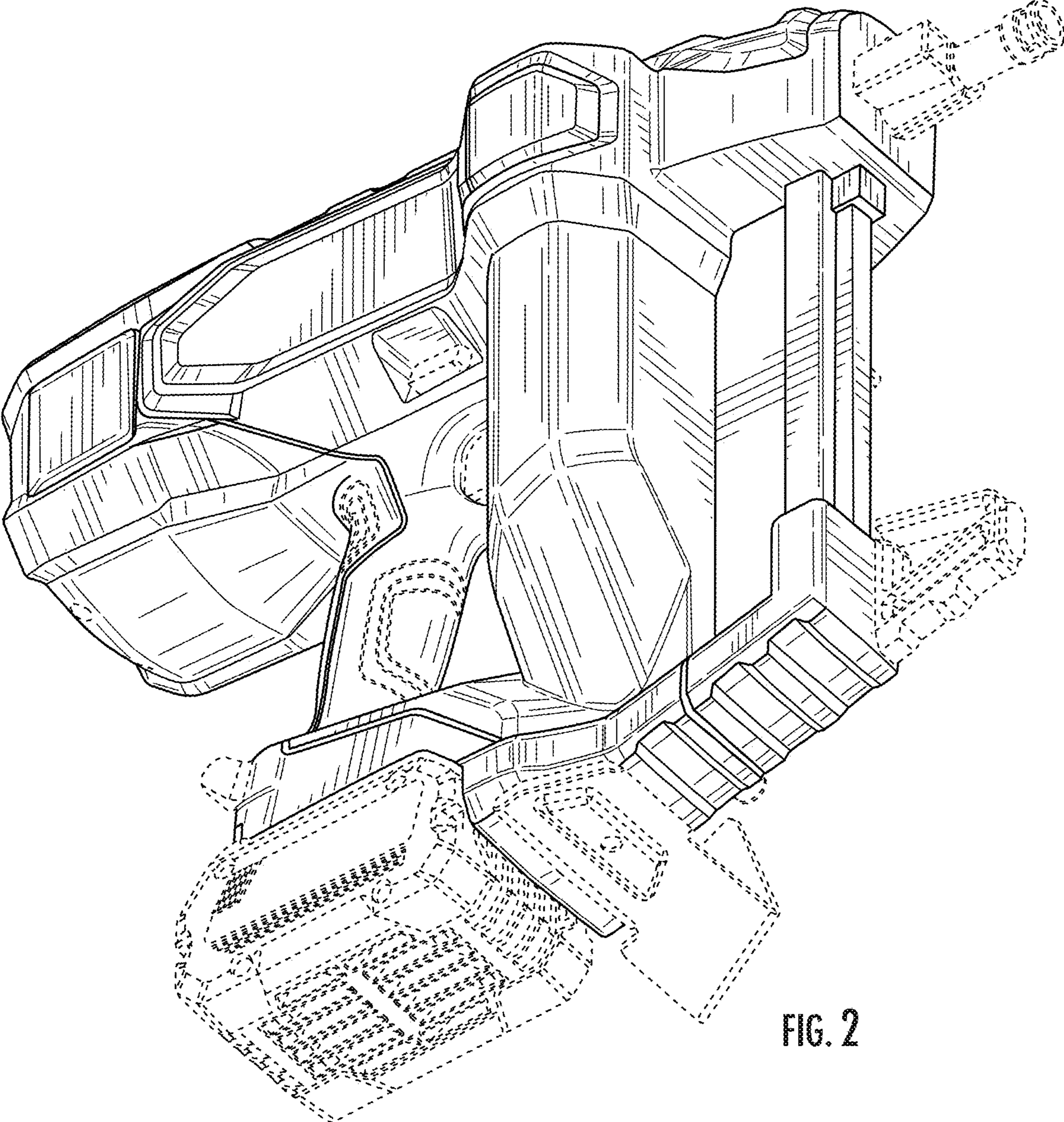


FIG. 2

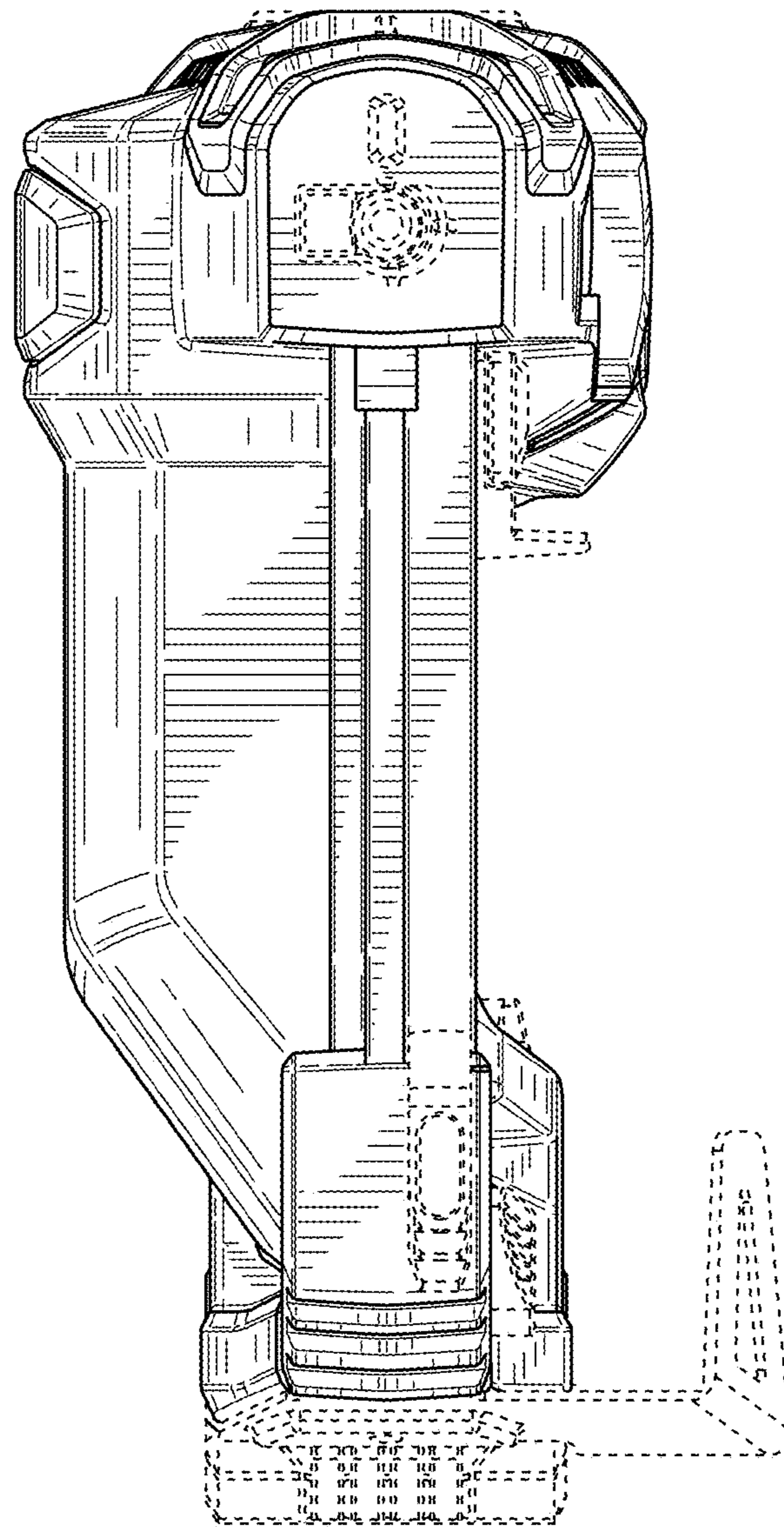


FIG. 3

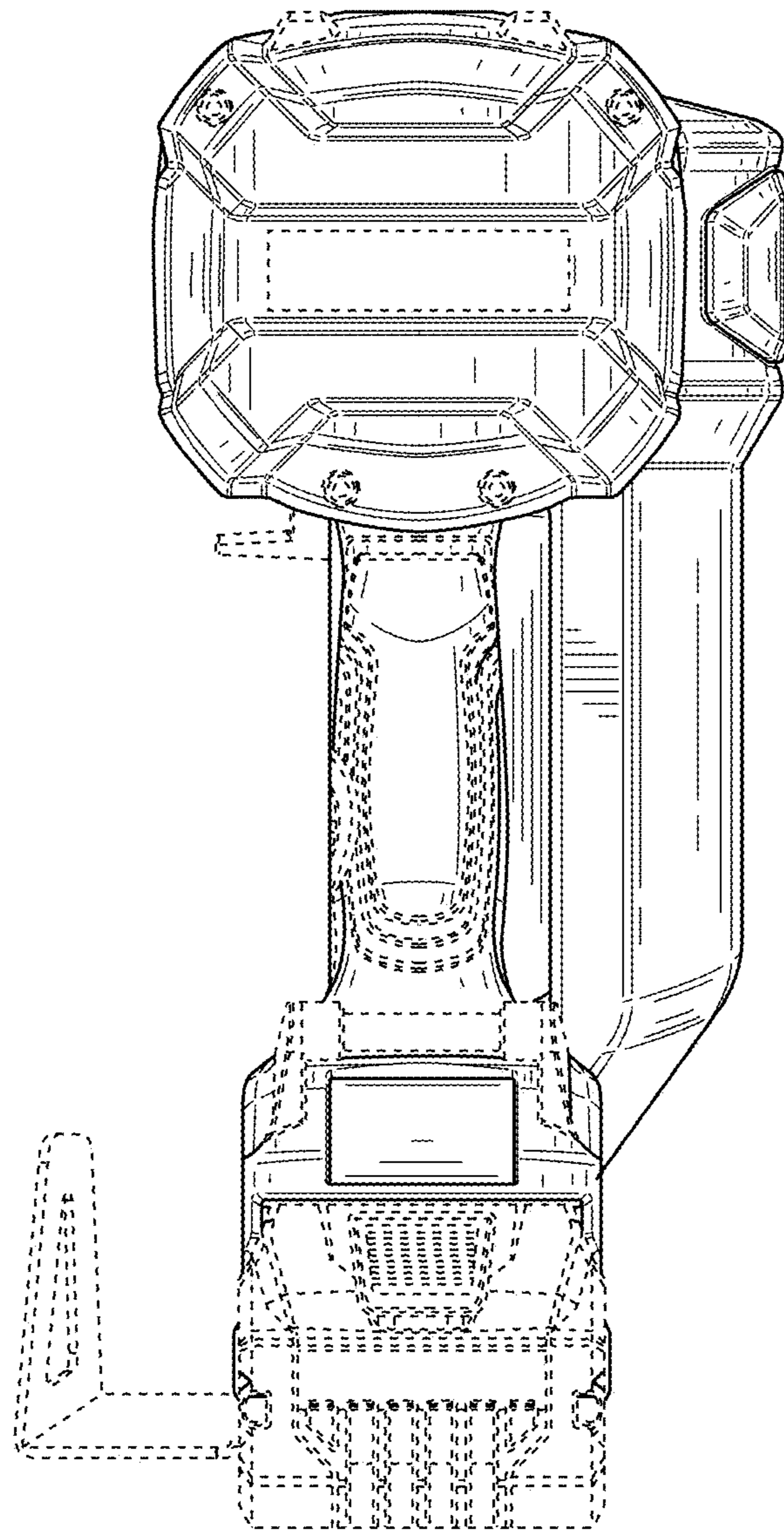


FIG. 4

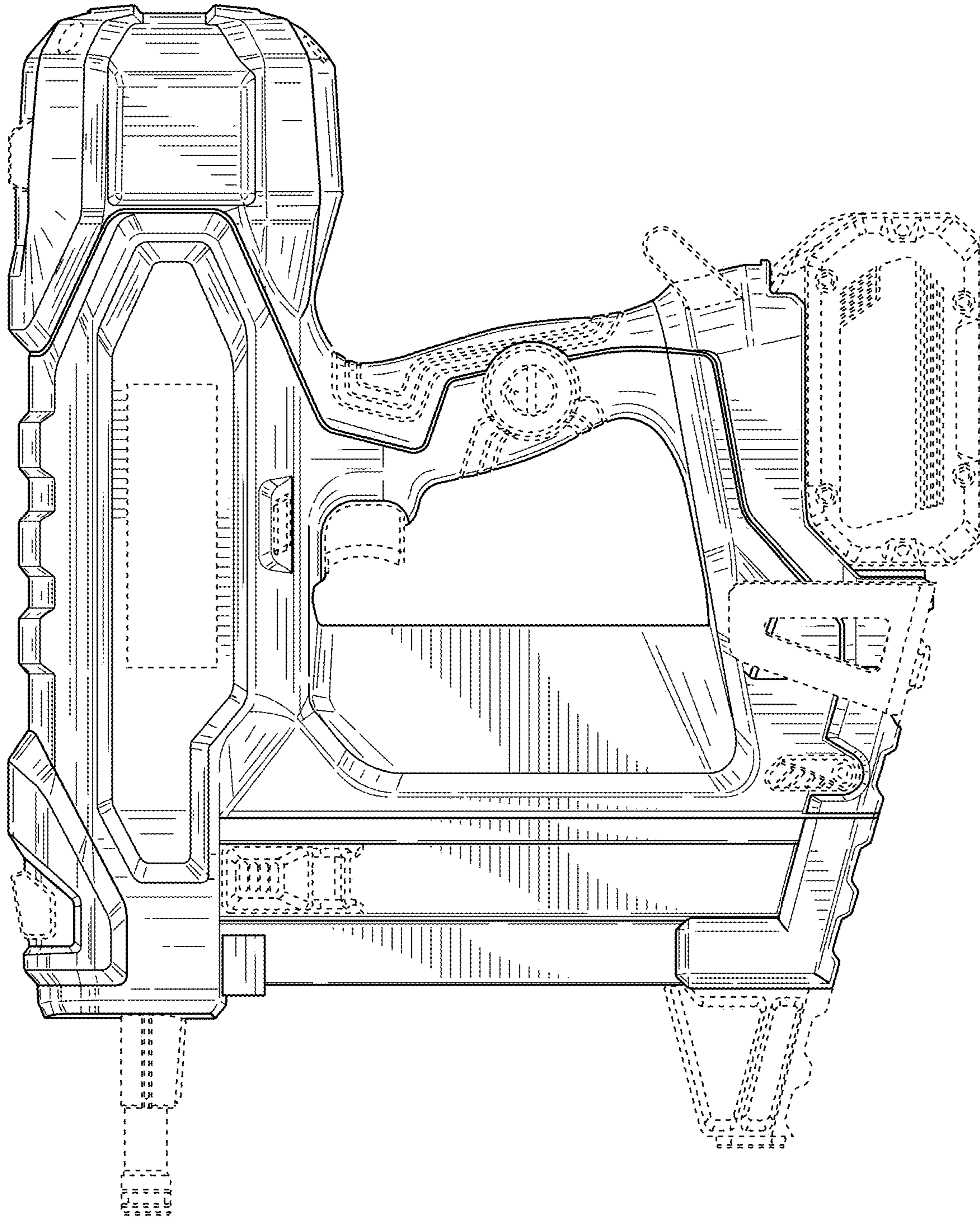


FIG. 5

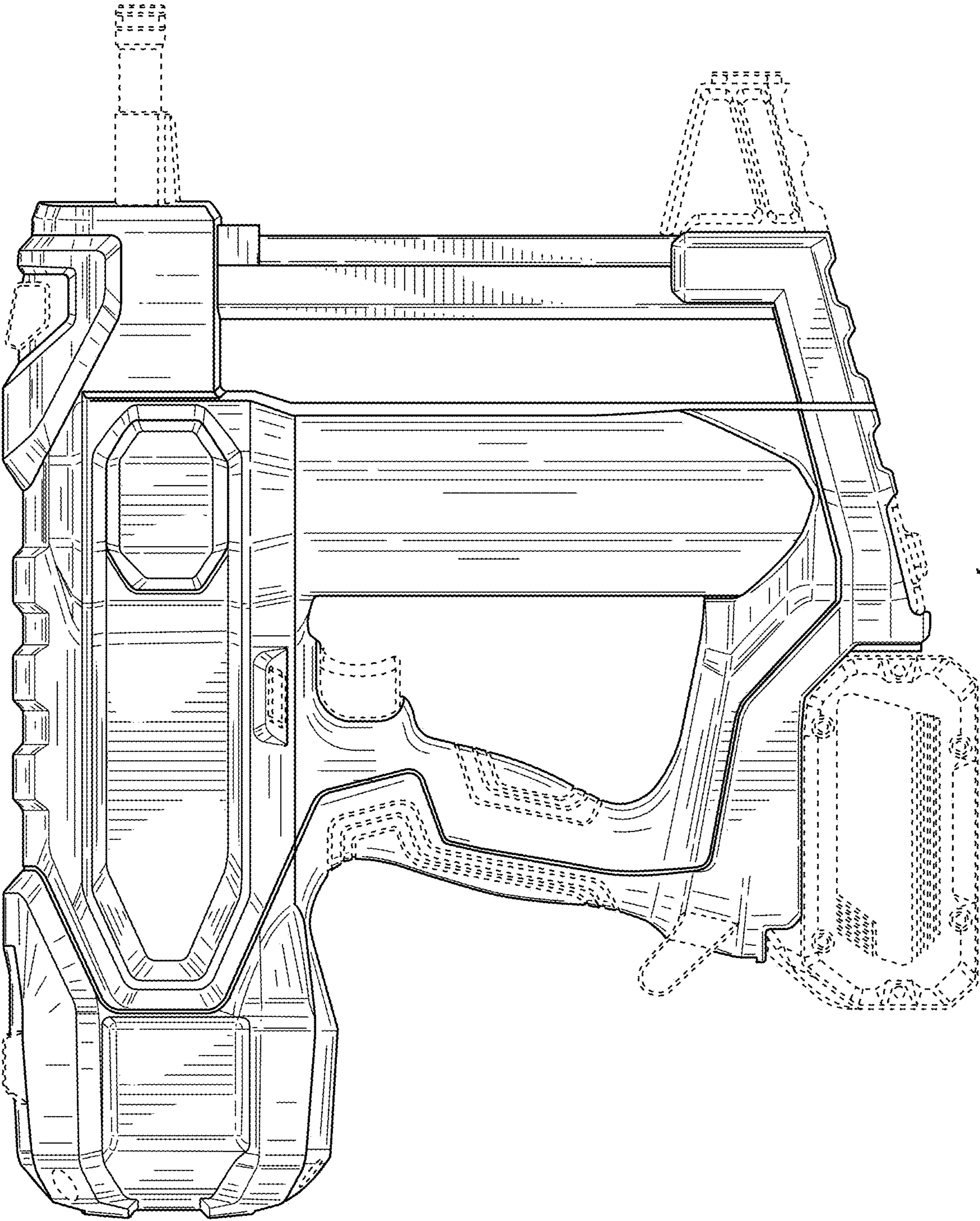


FIG. 6

