



US00D909837S

(12) **United States Design Patent** (10) **Patent No.:** **US D909,837 S**
Patel et al. (45) **Date of Patent:** **** Feb. 9, 2021**

(54) **PUSH BLOCK**
(71) Applicants: **Harshit N. Patel**, Des Plaines, IL (US);
James D. Walters, Aurora, IL (US)
(72) Inventors: **Harshit N. Patel**, Des Plaines, IL (US);
James D. Walters, Aurora, IL (US)

5,678,467 A 10/1997 Aigner
5,692,425 A 12/1997 Sterling
5,875,827 A * 3/1999 Brutscher B27B 25/10
144/253.1
5,894,777 A 4/1999 Sterling
6,044,740 A 4/2000 Werkheiser
6,135,521 A 10/2000 Wirth, Jr. et al.
(Continued)

(73) Assignee: **Nomis LLC**, Palatine, IL (US)

FOREIGN PATENT DOCUMENTS

(**) Term: **15 Years**

CA 2527755 A1 5/2006

(21) Appl. No.: **29/713,442**

OTHER PUBLICATIONS

(22) Filed: **Nov. 15, 2019**

Using Push Sticks; Tips & Tricks; website <http://www.newwoodworker.com/pushsticks.html>; date last visited Apr. 26, 2007; 5 pages.

(51) **LOC (13) Cl.** **08-05**

(Continued)

(52) **U.S. Cl.**
USPC **D8/14**

(58) **Field of Classification Search**
USPC D8/14, 45, 90, 107
CPC B27B 25/10; B27B 25/00; B27B 29/00;
B27C 5/06; B27C 5/04; Y10T 83/6638
See application file for complete search history.

Primary Examiner — Philip S Hyder
(74) *Attorney, Agent, or Firm* — Reinhart Boerner Van
Deuren P.C.

(56) **References Cited**

(57) **CLAIM**

I claim the ornamental design for the push block, as shown and described.

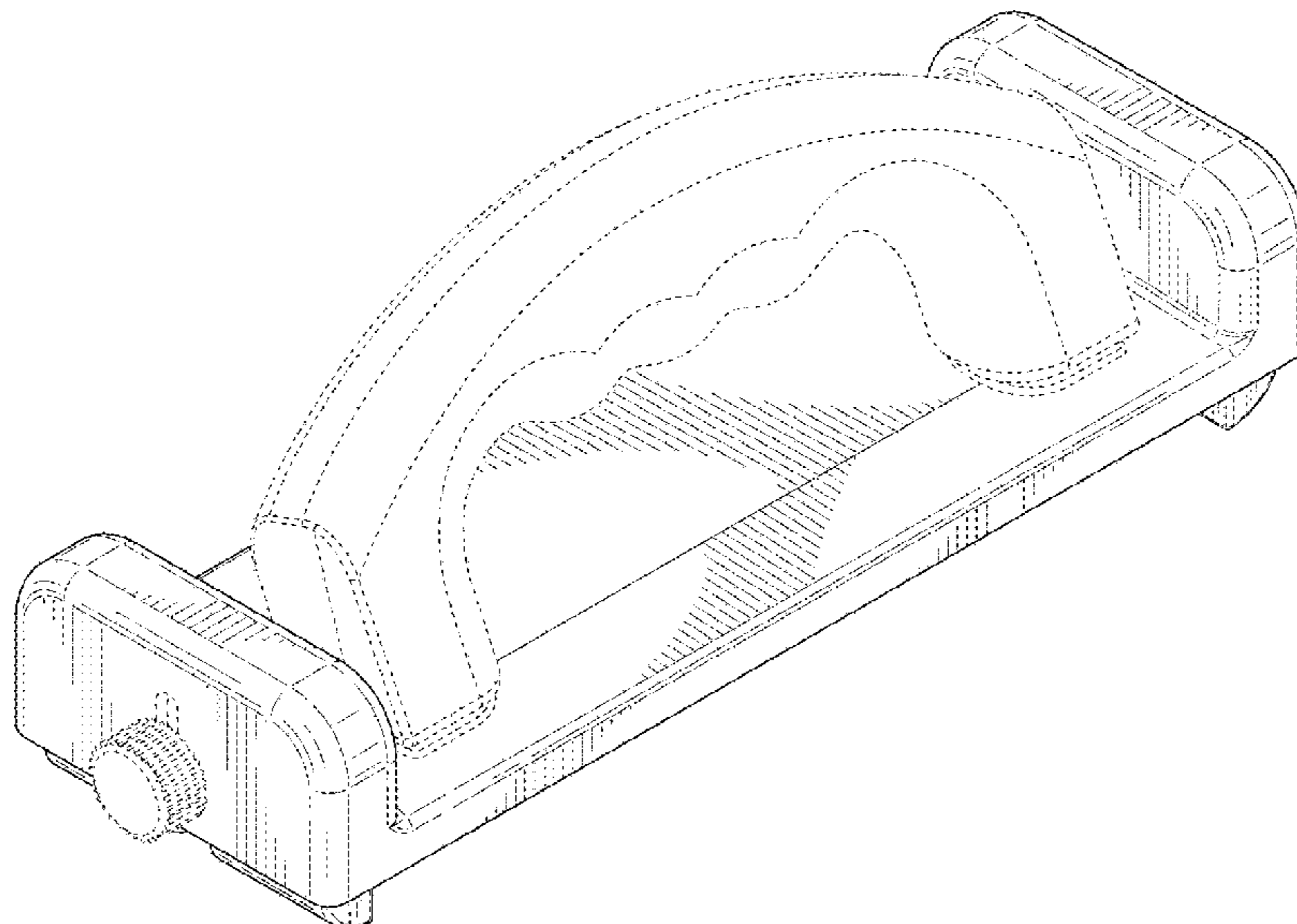
U.S. PATENT DOCUMENTS

DESCRIPTION

- 2,801,656 A 8/1957 Ford
- 3,010,133 A 11/1961 Hurd
- 3,232,326 A 2/1966 Speer et al.
- D216,668 S 3/1970 Tims, Jr.
- 3,686,703 A 8/1972 Ray
- D228,339 S 9/1973 Zemke
- 4,001,903 A 1/1977 Hay
- 4,114,665 A 9/1978 Decker
- 4,294,151 A 10/1981 Lemus
- 4,348,925 A 9/1982 Manweiler
- 4,351,525 A 9/1982 Rozenblad
- 4,432,263 A 2/1984 Kowalchuk
- 4,485,711 A 12/1984 Schnell
- D278,022 S 3/1985 Ash
- D278,790 S 5/1985 Chaney et al.
- 4,962,685 A 10/1990 Hagstrom
- 5,016,509 A 5/1991 Stottman

FIG. 1 is a perspective view of the push block;
FIG. 2 is a front view of the push block;
FIG. 3 is a rear view of the push block;
FIG. 4 is a top view of the push block;
FIG. 5 is a bottom view of the push block;
FIG. 6 is a side view of the push block; and,
FIG. 7 is a side view of the push block, showing the side opposite that shown in FIG. 6.
The broken lines depict portions of the push block in which the design is embodied that are not considered part of the claimed design.

1 Claim, 6 Drawing Sheets



(56)

References Cited

U.S. PATENT DOCUMENTS

D447,389 S 9/2001 Riemer
 6,554,335 B1 4/2003 Kelly et al.
 6,578,461 B1 6/2003 Loo
 6,732,623 B1 5/2004 Jennings
 6,854,730 B2 2/2005 Braun
 D505,268 S 5/2005 Potempa
 7,040,206 B2 5/2006 Wang
 D525,508 S 7/2006 Leonard, II
 D561,791 S 2/2008 Kozina et al.
 7,540,224 B2 6/2009 Wang
 D602,753 S 10/2009 McLaughlin
 D620,215 S 7/2010 Peng et al.
 7,886,641 B2 2/2011 Wirth, Jr. et al.
 7,997,313 B2 8/2011 Wang
 D665,638 S 8/2012 Krohmer et al.
 D666,684 S 9/2012 Meininger et al.
 9,003,671 B2 4/2015 Wang
 9,199,390 B2 12/2015 Wang

D746,596 S 1/2016 Zemel et al.
 9,227,337 B2 1/2016 Wang
 9,707,694 B2 7/2017 Wang
 D804,921 S 12/2017 Neubauer
 10,011,037 B2 7/2018 Wang
 2002/0178888 A1 12/2002 Wang
 2005/0059328 A1 3/2005 Madsen
 2005/0092152 A1 5/2005 Wirth, Jr. et al.
 2006/0123961 A1 6/2006 Fontaine
 2014/0260864 A1 9/2014 Wang

OTHER PUBLICATIONS

Grip 55210 V-Stick Push Stick; website [http://www.shop.com/op/~Grip_5521-_V_Stick_Push_Stick-prod-25 . . .](http://www.shop.com/op/~Grip_5521-_V_Stick_Push_Stick-prod-25...); date last visited Apr. 26, 2007; 1 page.
 Deluxe Jig Handle—Rockier Woodworking Tools; website <http://www.rockler.com/product.cfm?page=16400&cs=1>; 1 page.
 U.S. Appl. No. 29/715,792, filed Dec. 4, 2019, Hall.

* cited by examiner

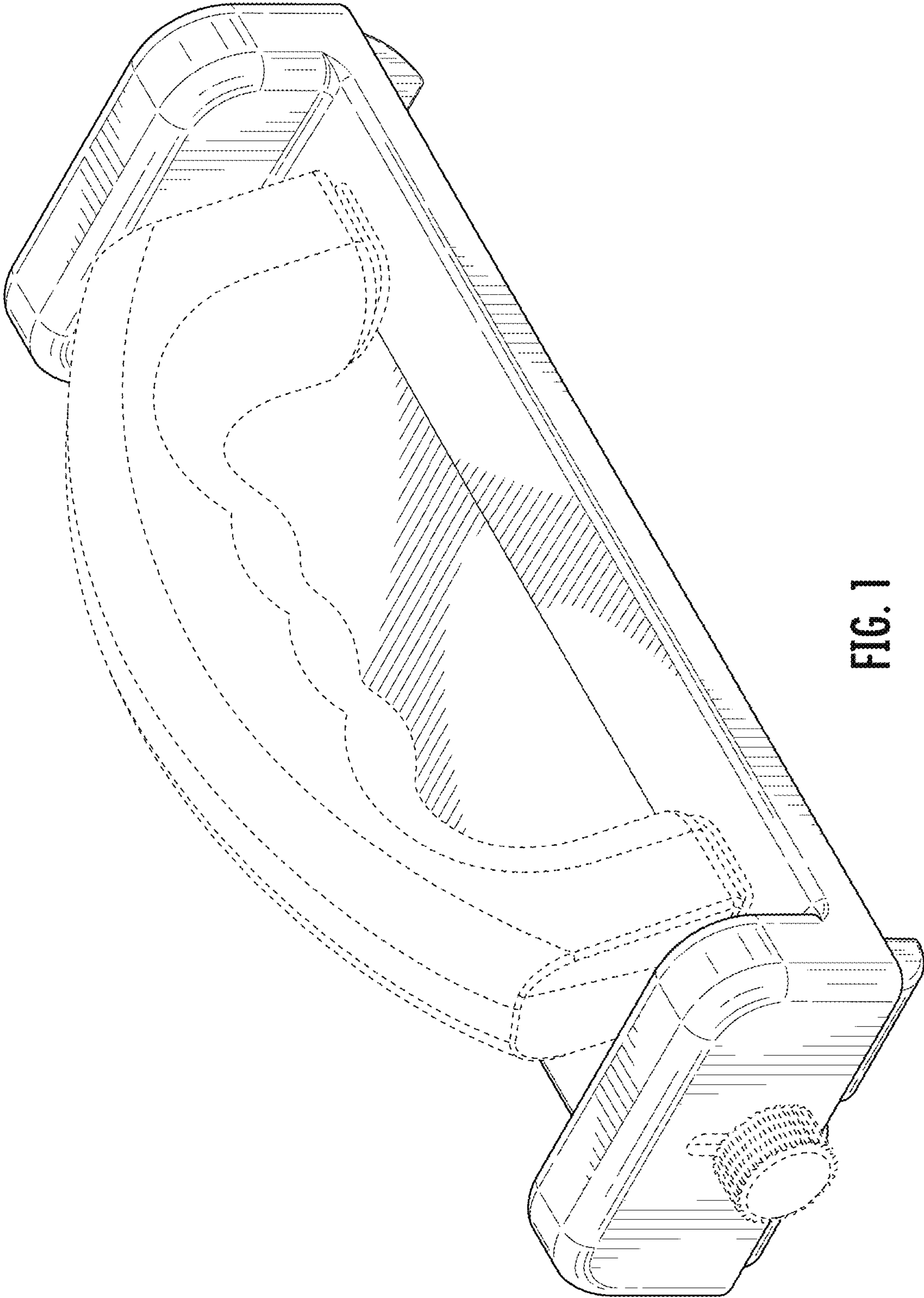


FIG. 1

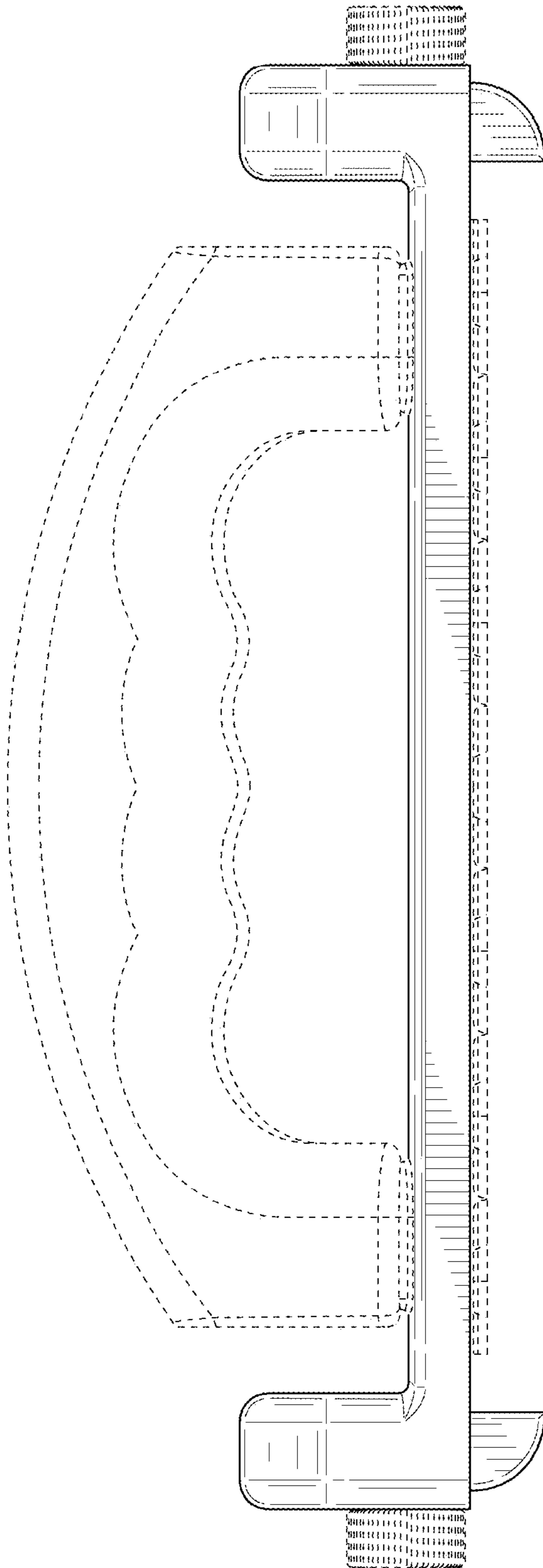


FIG. 2

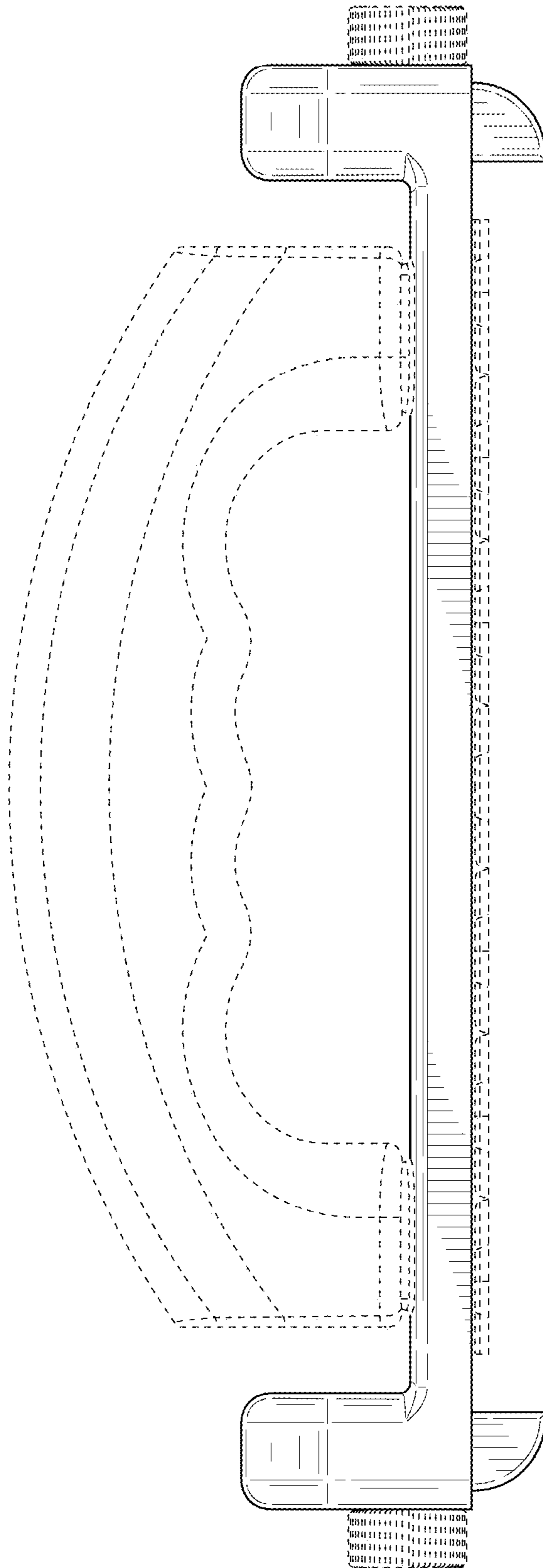


FIG. 3

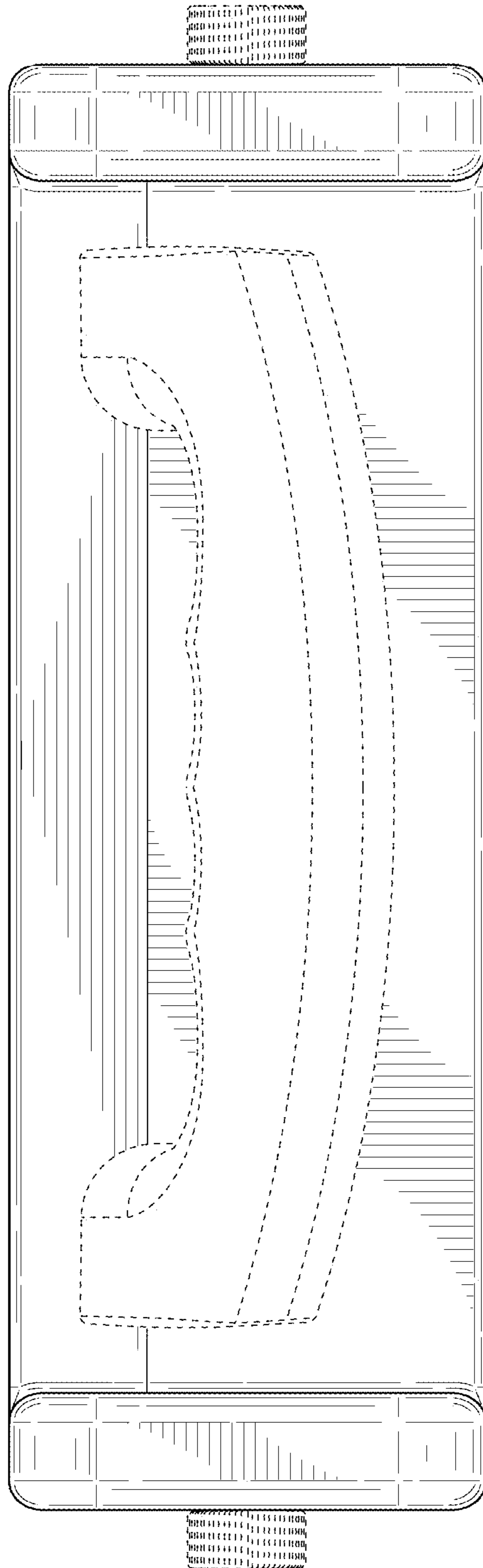


FIG. 4

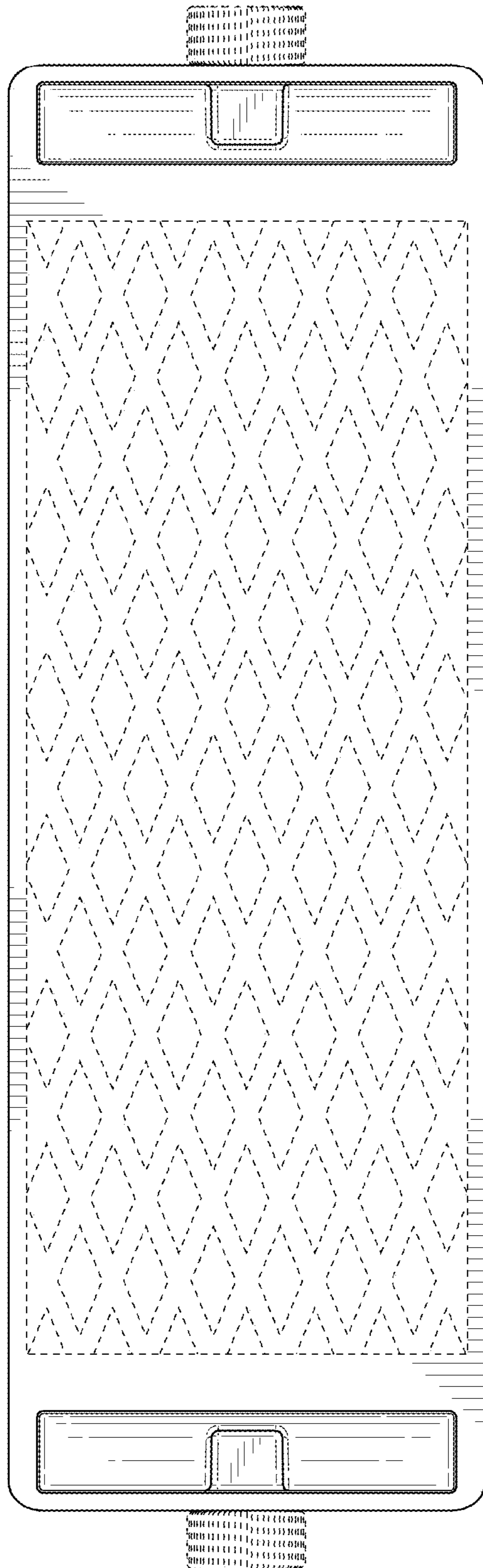


FIG. 5

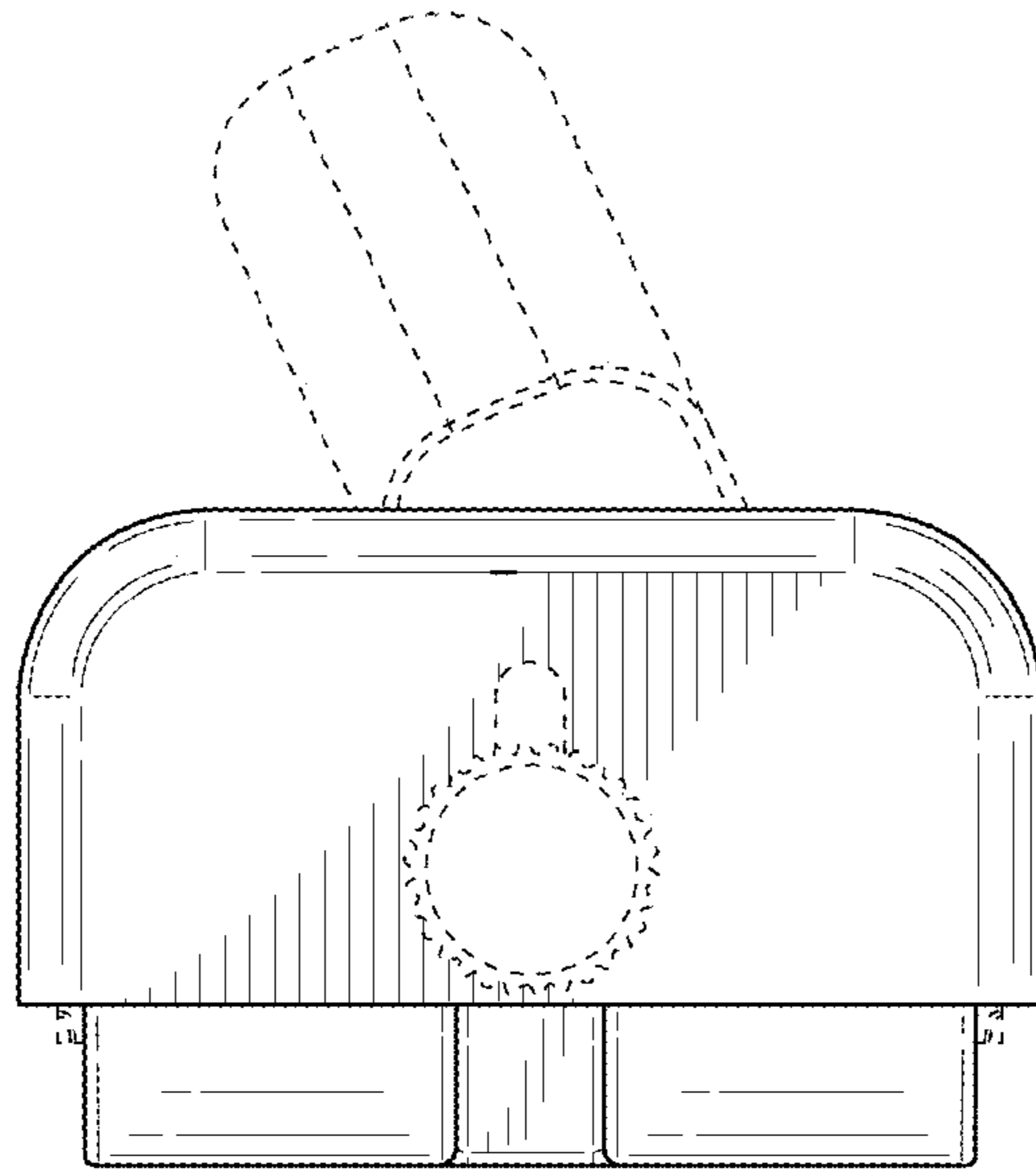


FIG. 6

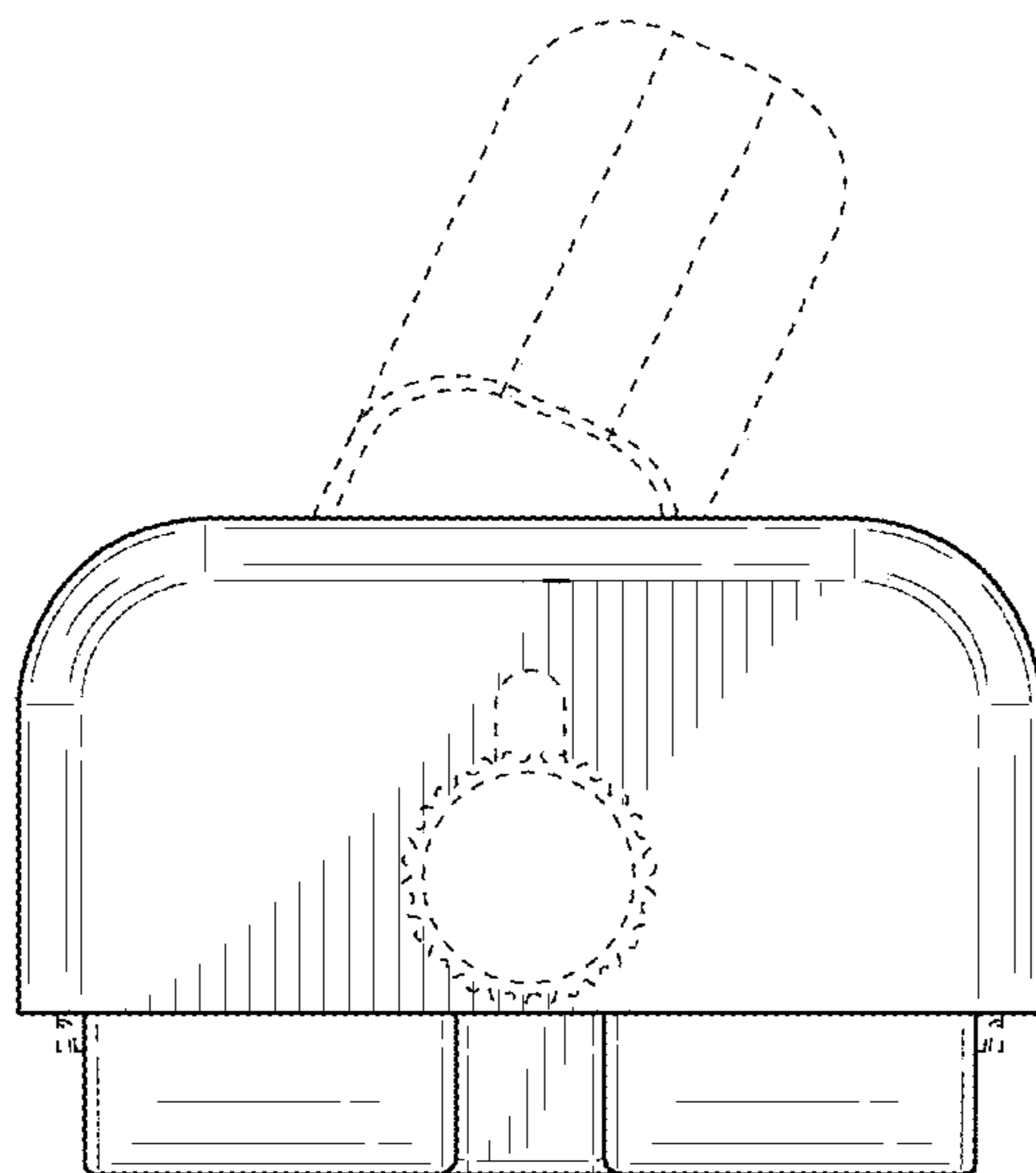


FIG. 7