



US00D909835S

(12) **United States Design Patent** (10) **Patent No.:** **US D909,835 S**
Lin (45) **Date of Patent:** **** Feb. 9, 2021**

(54) **ELECTRIC FOOD CONTAINER**
(71) Applicant: **DONGGUAN SOGOODE**
COMPUTER SYSTEM CO., LTD,
Dongguan (CN)
(72) Inventor: **Fengce Lin, Shenzhen (CN)**
(73) Assignee: **DONGGUAN SOGOODE**
COMPUTER SYSTEM CO., LTD,
Dongguan (CN)
(**) Term: **15 Years**
(21) Appl. No.: **29/740,841**
(22) Filed: **Jul. 7, 2020**
(51) **LOC (13) Cl.** **09-03**
(52) **U.S. Cl.**
USPC **D7/709**
(58) **Field of Classification Search**
USPC D7/601, 602, 603, 701, 703, 709, 629;
D9/424-432; D3/273, 274, 276
CPC .. A47J 47/00; A47J 47/02; A47J 47/08; A47J
47/14; B65D 43/00; B65D 81/3216;
B65D 43/0206; A45C 11/20
See application file for complete search history.

D721,394 S * 1/2015 Rim D15/146
D725,972 S * 4/2015 Hong D7/629
D736,564 S * 8/2015 Thornton D7/538
D758,806 S * 6/2016 Morales D7/629
D769,080 S * 10/2016 Wiggins D7/629
D796,920 S 9/2017 Staton et al.
D807,709 S * 1/2018 Radhakrishnan D7/605
D821,192 S * 6/2018 Perry D9/420
D866,268 S 11/2019 Tan

* cited by examiner

Primary Examiner — Susan E Krakower

Assistant Examiner — Andrew Kerr

(57) **CLAIM**

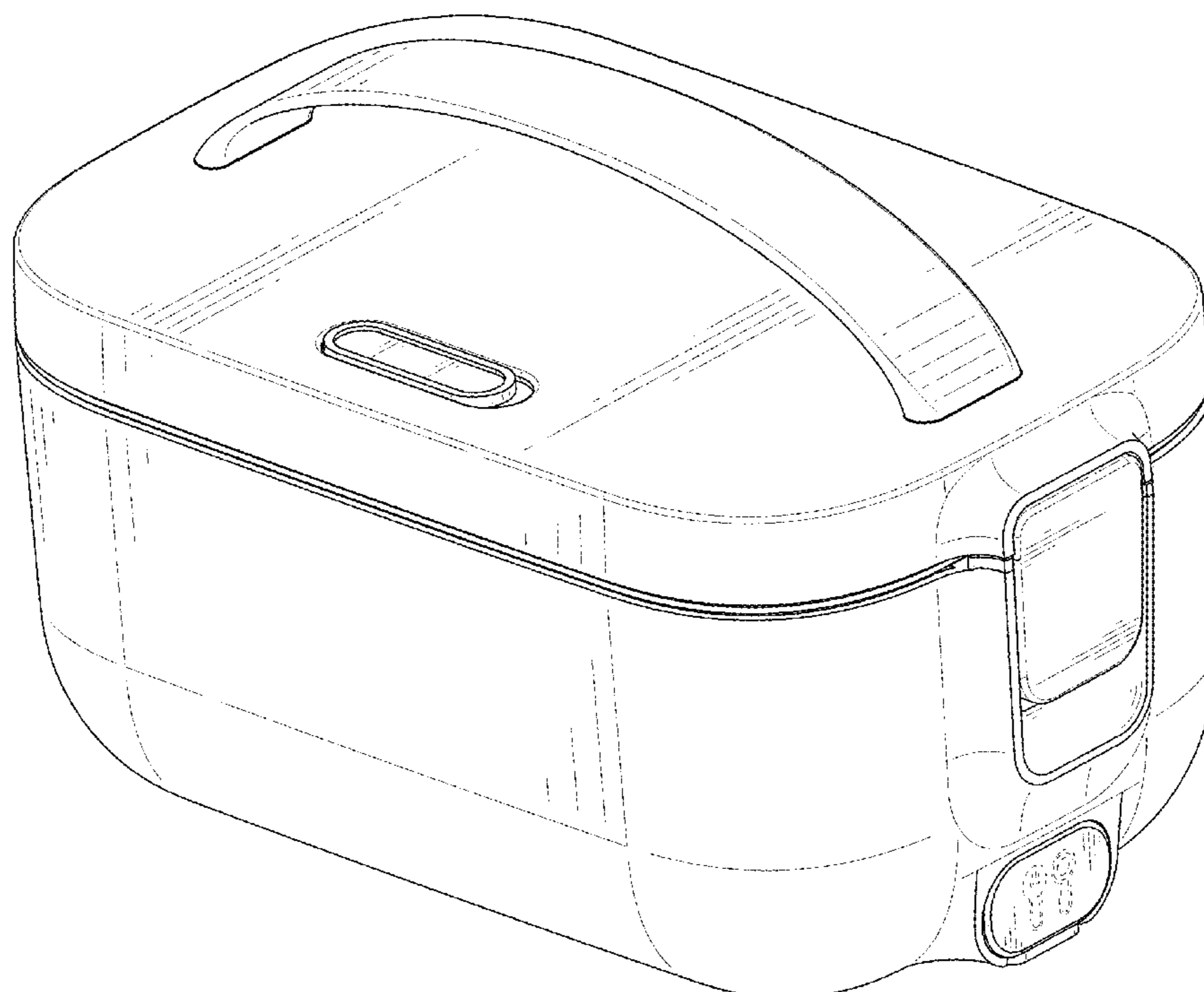
The ornamental design for an electric food container, as shown and described.

DESCRIPTION

FIG. 1 is a perspective view of an electric food container showing my new design;
FIG. 2 is another perspective view thereof;
FIG. 3 is a front elevational view thereof
FIG. 4 is a rear elevational view thereof;
FIG. 5 is a left side elevational view thereof;
FIG. 6 is a right side elevational view thereof;
FIG. 7 is a top plan view thereof; and,
FIG. 8 is a bottom plan view thereof.
The broken lines in the drawings depict portions of the electric food container that form no part of the claimed design.

1 Claim, 8 Drawing Sheets

(56) **References Cited**
U.S. PATENT DOCUMENTS
D393,784 S * 4/1998 Lee D26/38
D479,955 S 9/2003 Samartgis
D551,515 S * 9/2007 Ablo D7/629
D643,694 S * 8/2011 Lu D7/629
D708,486 S * 7/2014 Terracciano D7/629



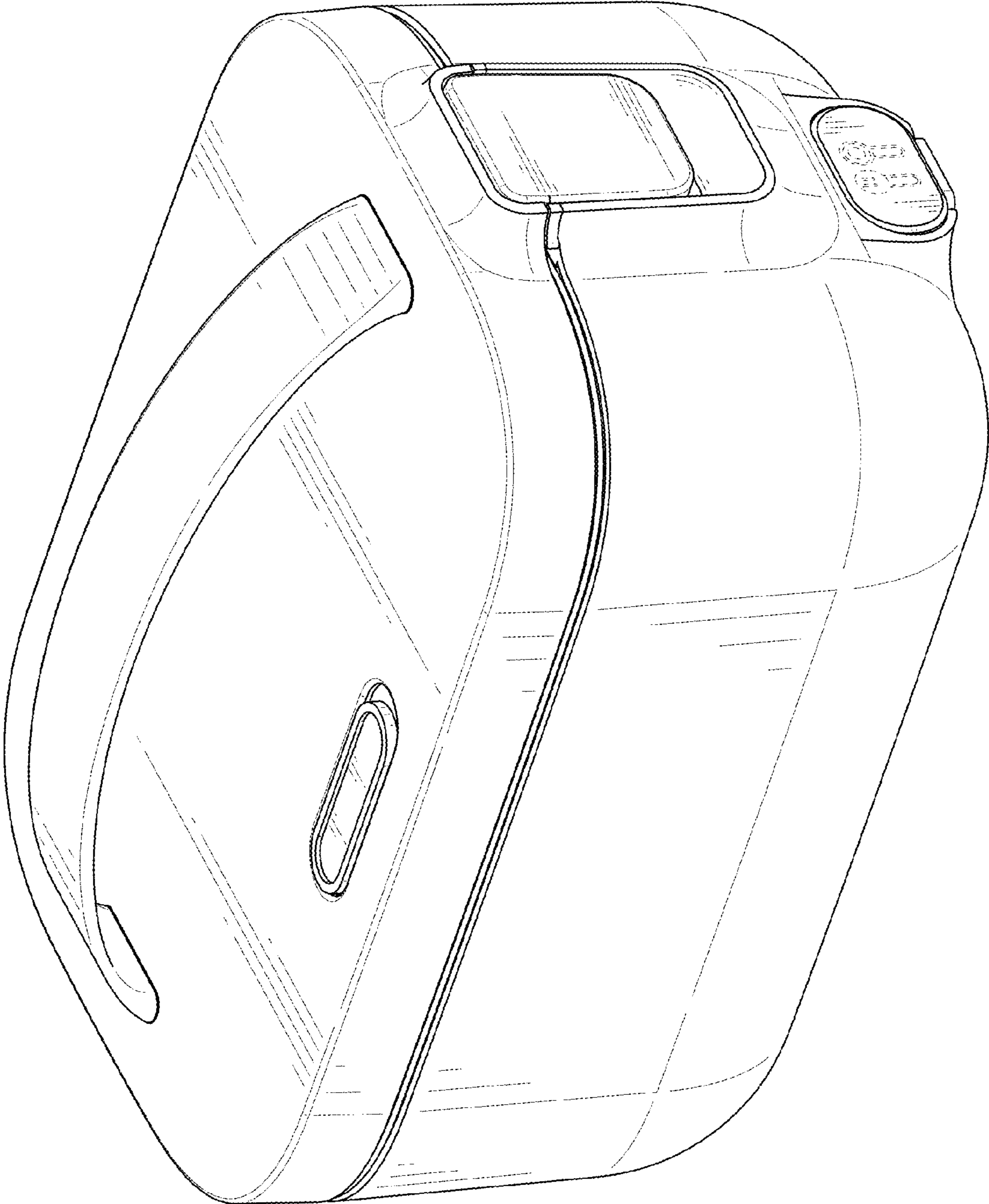


FIG. 1

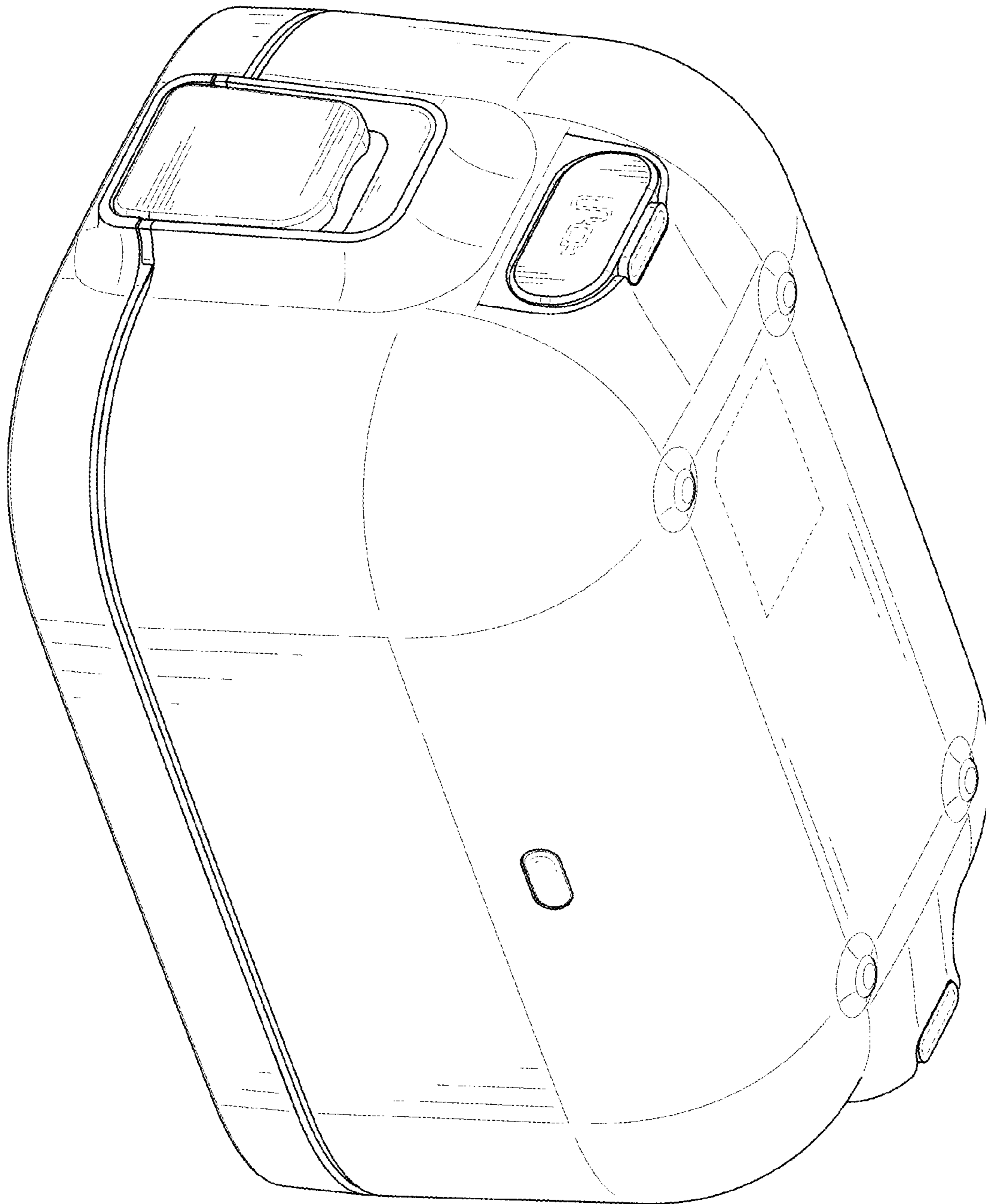


FIG. 2

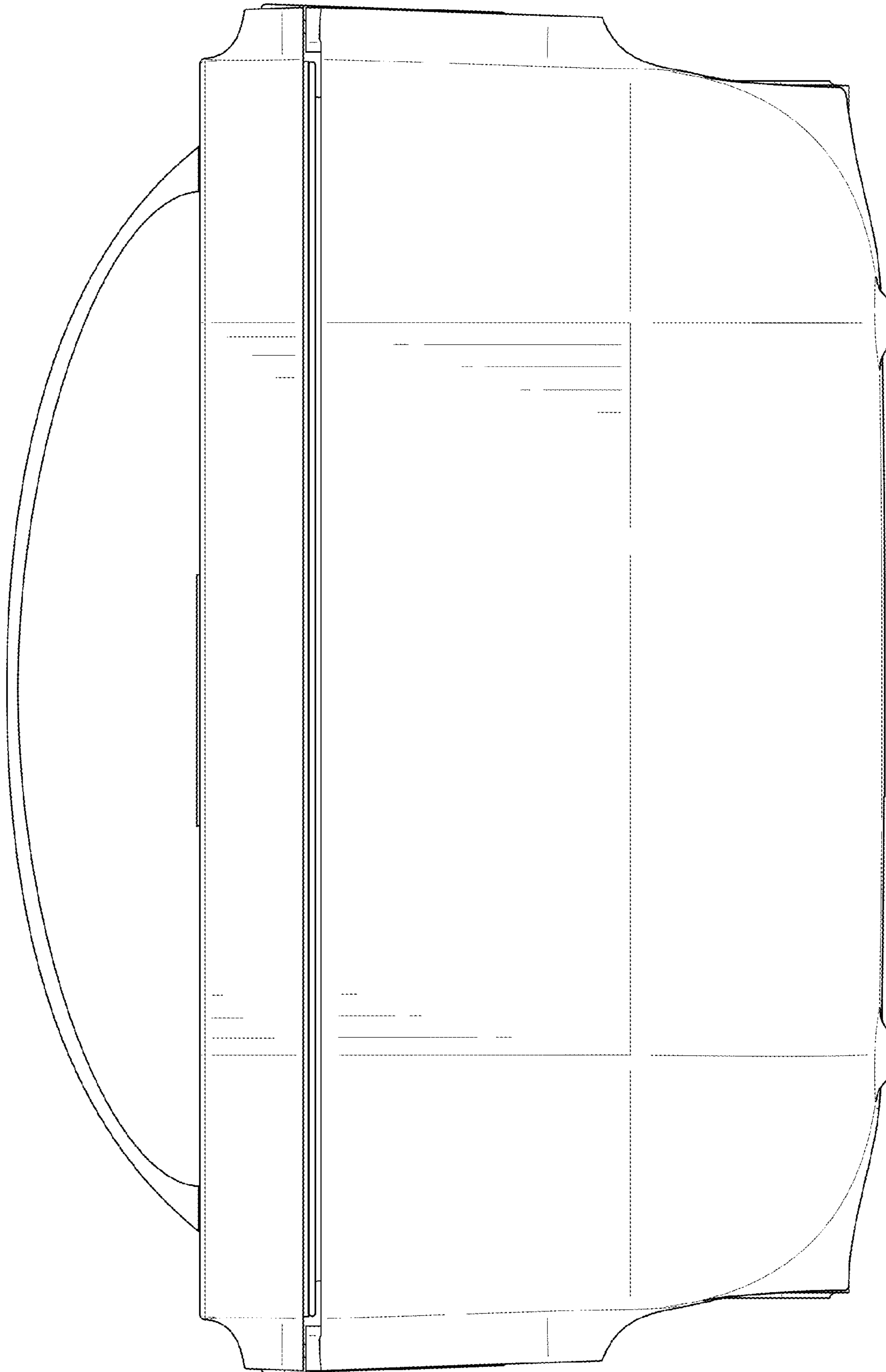


FIG. 3

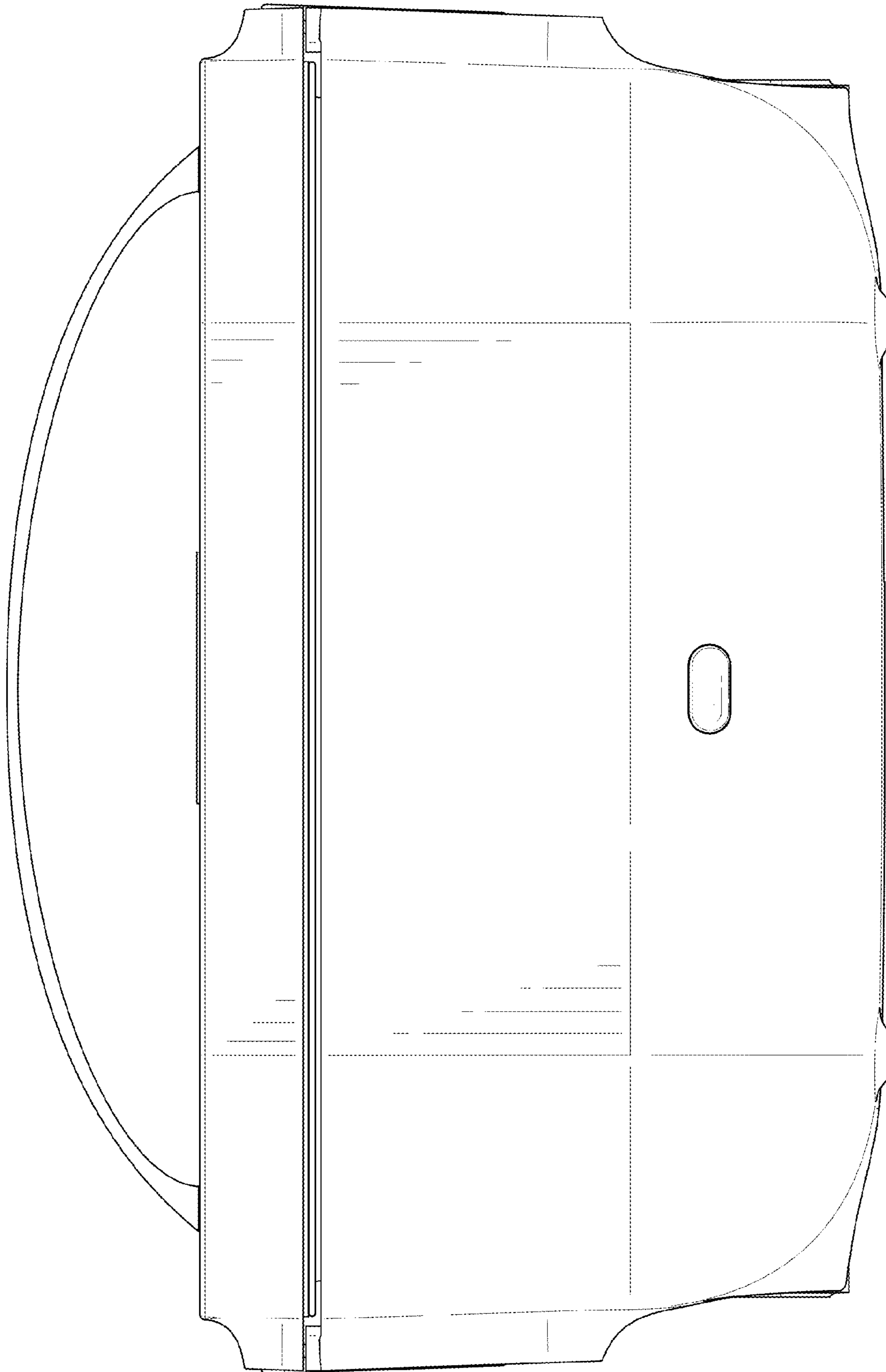


FIG. 4

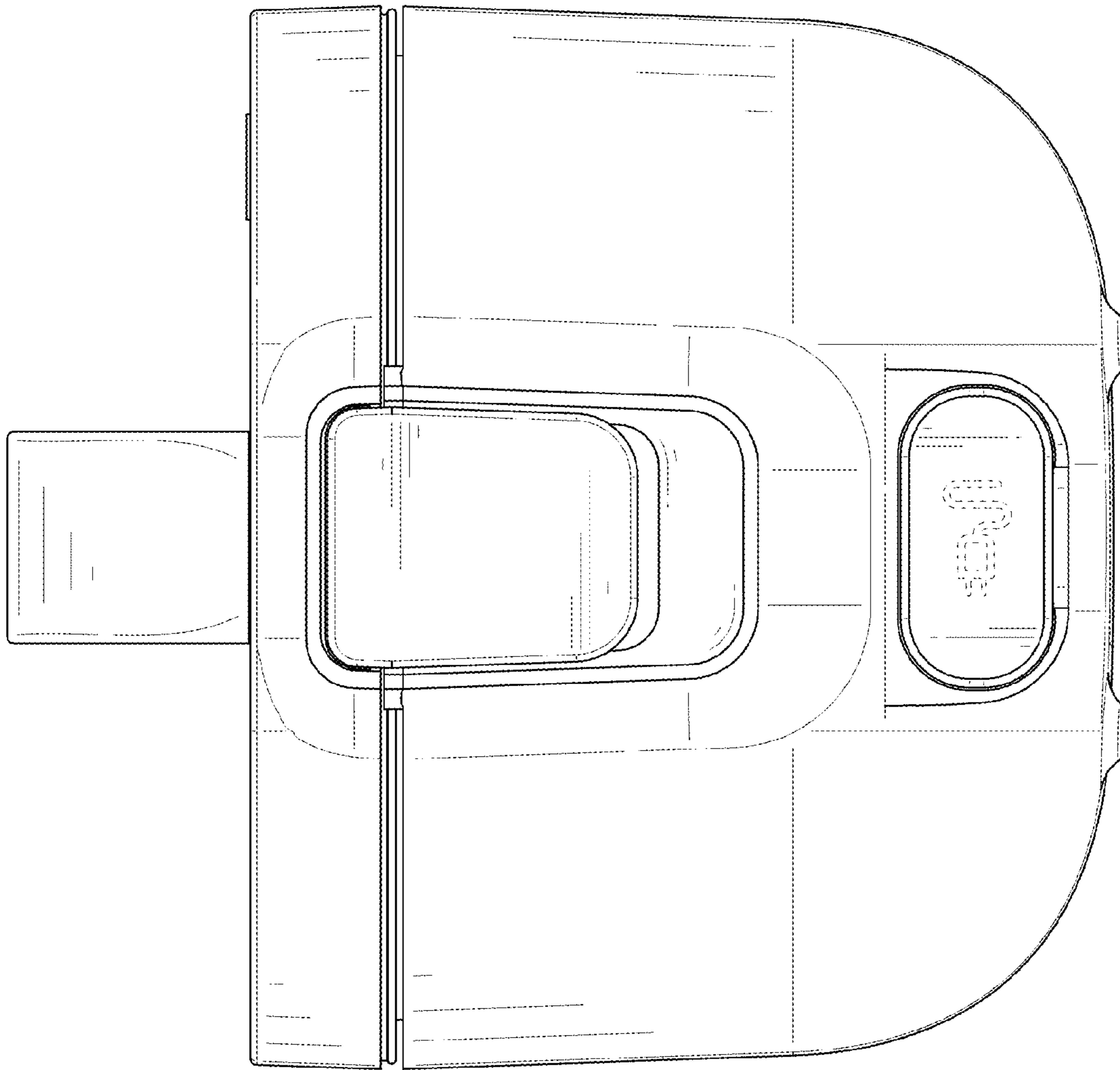


FIG. 5

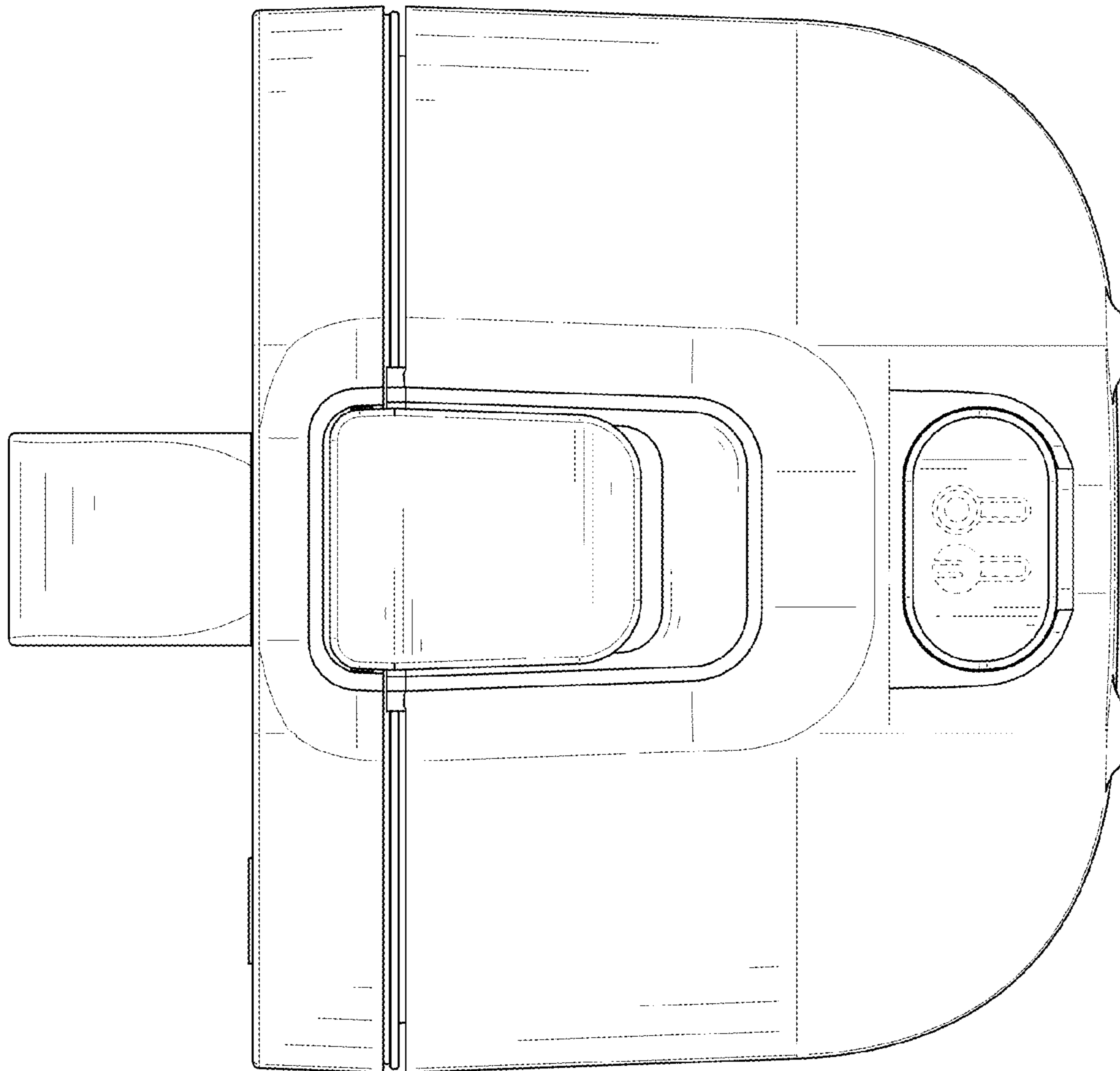


FIG. 6

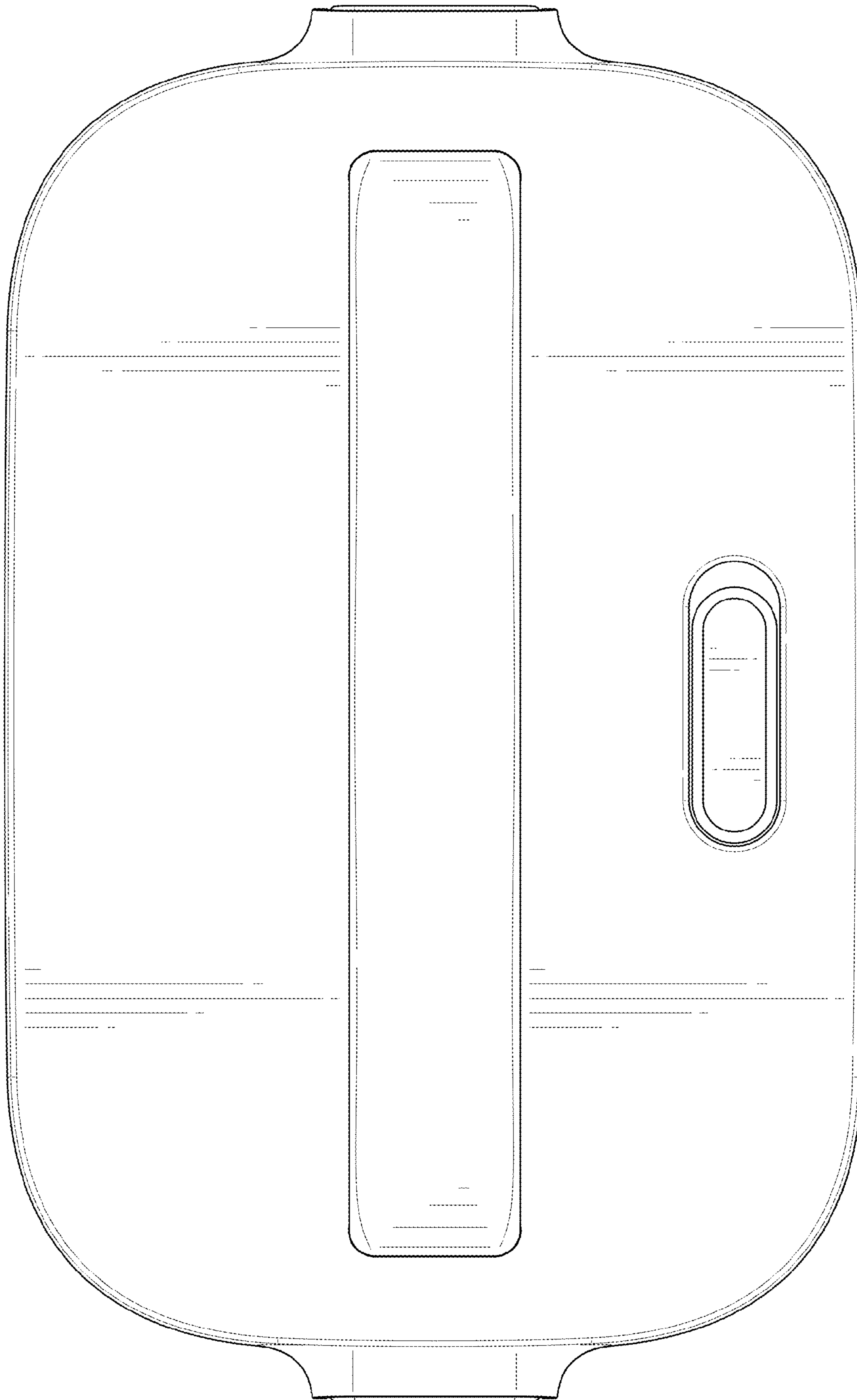


FIG. 7

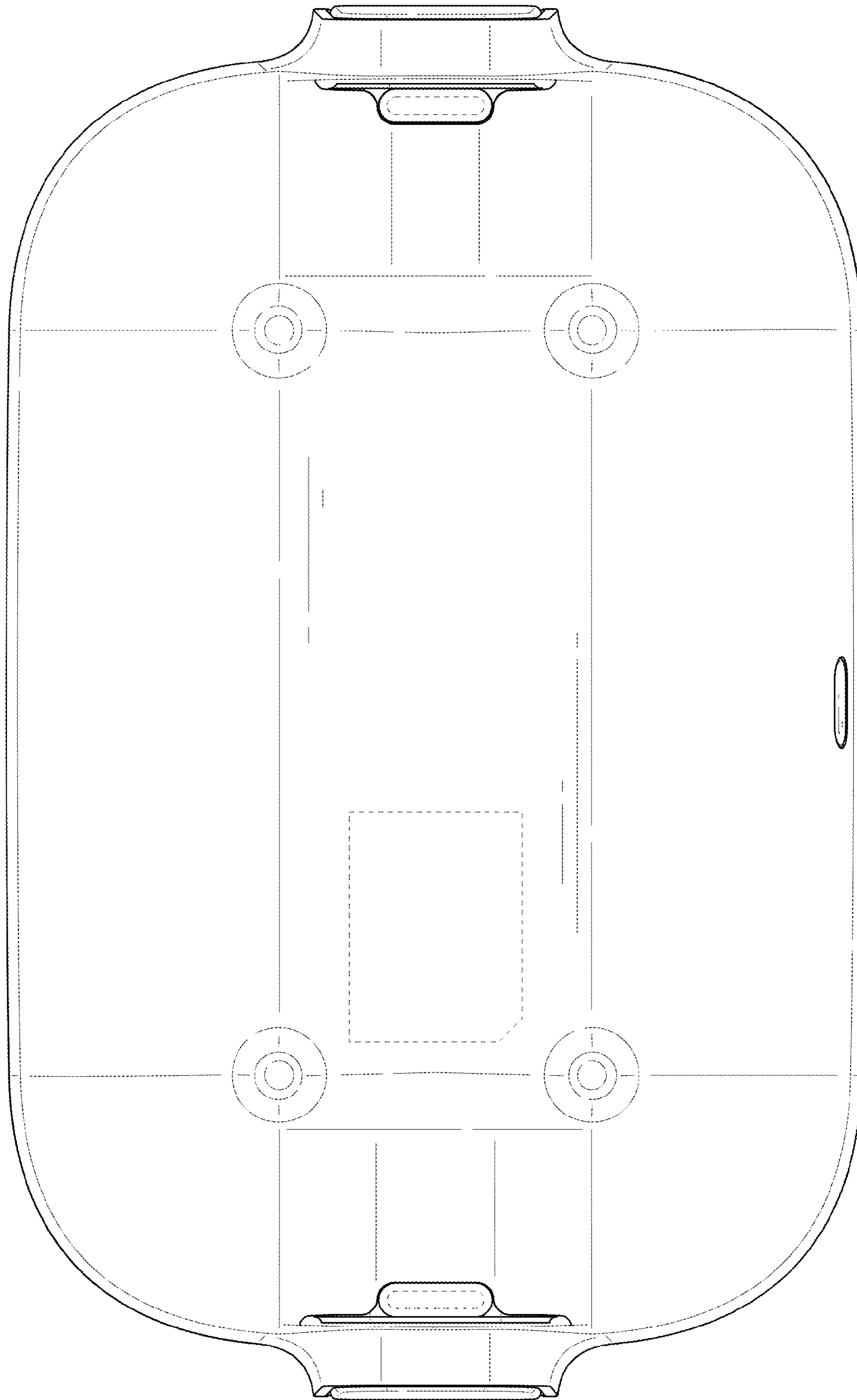


FIG. 8