



US00D909830S

(12) **United States Design Patent** (10) **Patent No.:** **US D909,830 S**  
**Kumar** (45) **Date of Patent:** **\*\* Feb. 9, 2021**

(54) **MOCHI ICE CREAM UTENSIL**  
(71) Applicant: **Meena Kumar**, Santa Monica, CA (US)  
(72) Inventor: **Meena Kumar**, Santa Monica, CA (US)  
(\*\*) Term: **15 Years**  
(21) Appl. No.: **29/696,124**  
(22) Filed: **Jun. 25, 2019**  
(51) **LOC (13) Cl.** ..... **07-04**  
(52) **U.S. Cl.**  
USPC ..... **D7/681**; D7/688  
(58) **Field of Classification Search**  
USPC ..... D7/669-671, 368, 680-696, 393, 395;  
D8/45; D32/46, 49  
CPC ..... A47J 43/288; A47J 43/281; A47G 21/04;  
B44D 3/162; B44D 3/164  
See application file for complete search history.

(56) **References Cited**  
U.S. PATENT DOCUMENTS  
D254,588 S \* 4/1980 Hogue ..... D32/49  
4,569,130 A \* 2/1986 Koller ..... A47G 21/045  
294/7  
4,924,444 A \* 5/1990 Castellanos ..... B01F 13/002  
366/129  
D343,100 S \* 1/1994 Jenkinson ..... D7/688  
D463,223 S \* 9/2002 Bien ..... D7/688  
D588,419 S 3/2009 Lu

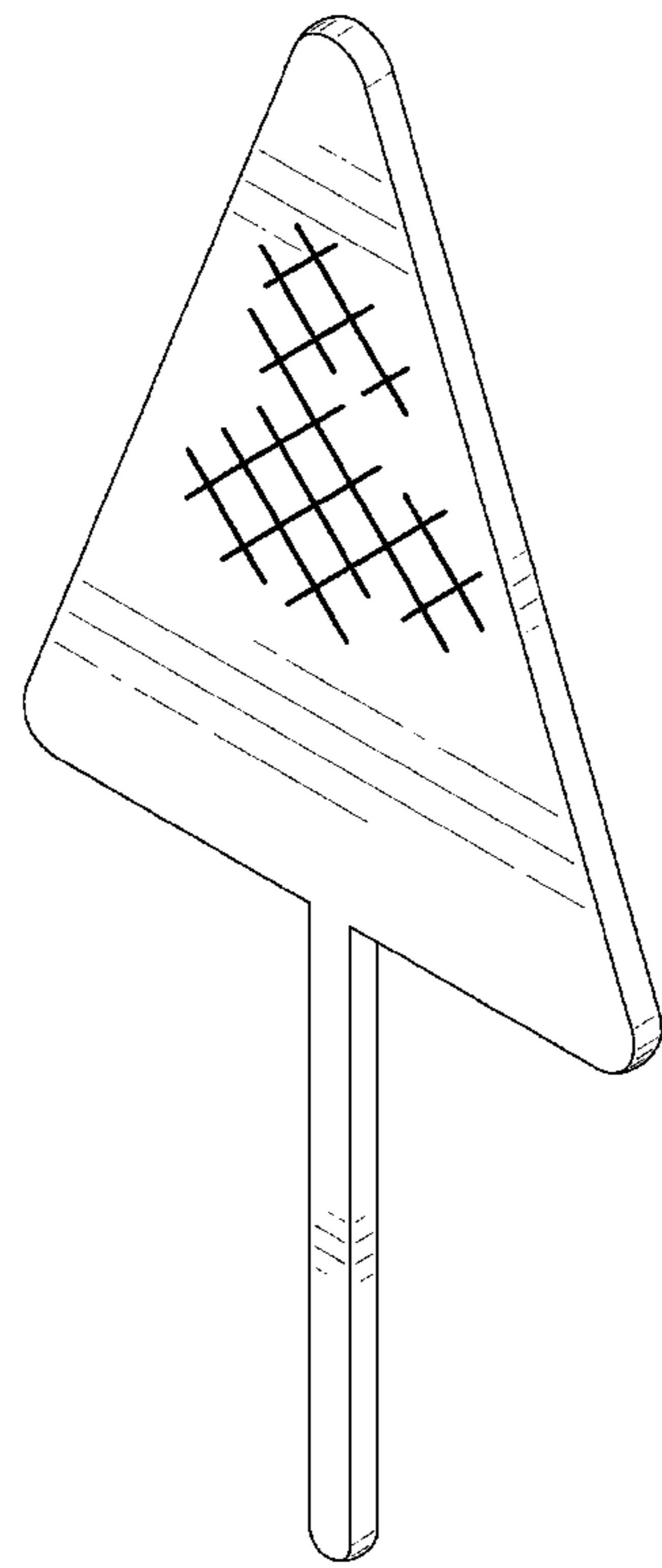
D808,234 S \* 1/2018 Lane ..... D7/688  
2005/0173936 A1 \* 8/2005 Lewis ..... A47J 43/288  
294/7  
2008/0203747 A1 \* 8/2008 Stenglein ..... A47G 21/045  
294/7

\* cited by examiner  
*Primary Examiner* — Terry A Wallace  
(74) *Attorney, Agent, or Firm* — Eandi Fitzpatrick LLP;  
William Fitzpatrick

(57) **CLAIM**  
I claim the ornamental design for a mochi ice cream utensil,  
as shown and described.

**DESCRIPTION**  
FIG. 1 is a front perspective view of the mocha ice cream utensil showing my new design.  
FIG. 2 is a front view thereof.  
FIG. 3 is a rear view thereof.  
FIG. 4 is a right side view thereof.  
FIG. 5 is a left side view thereof.  
FIG. 6 is a top plan view thereof.  
FIG. 7 is a bottom plan view thereof.  
FIG. 8 is a front perspective view of an alternate embodiment of FIG. 1.  
FIG. 9 is a front view of FIG. 8.  
FIG. 10 is a rear view of FIG. 8.  
FIG. 11 is a right side view of FIG. 8.  
FIG. 12 is a left side view of FIG. 8.  
FIG. 13 is a top plan view of FIG. 8; and,  
FIG. 14 is a bottom plan view of FIG. 8.  
The broken lines are for illustrative purposes only and form no part of the claimed design.

**1 Claim, 14 Drawing Sheets**



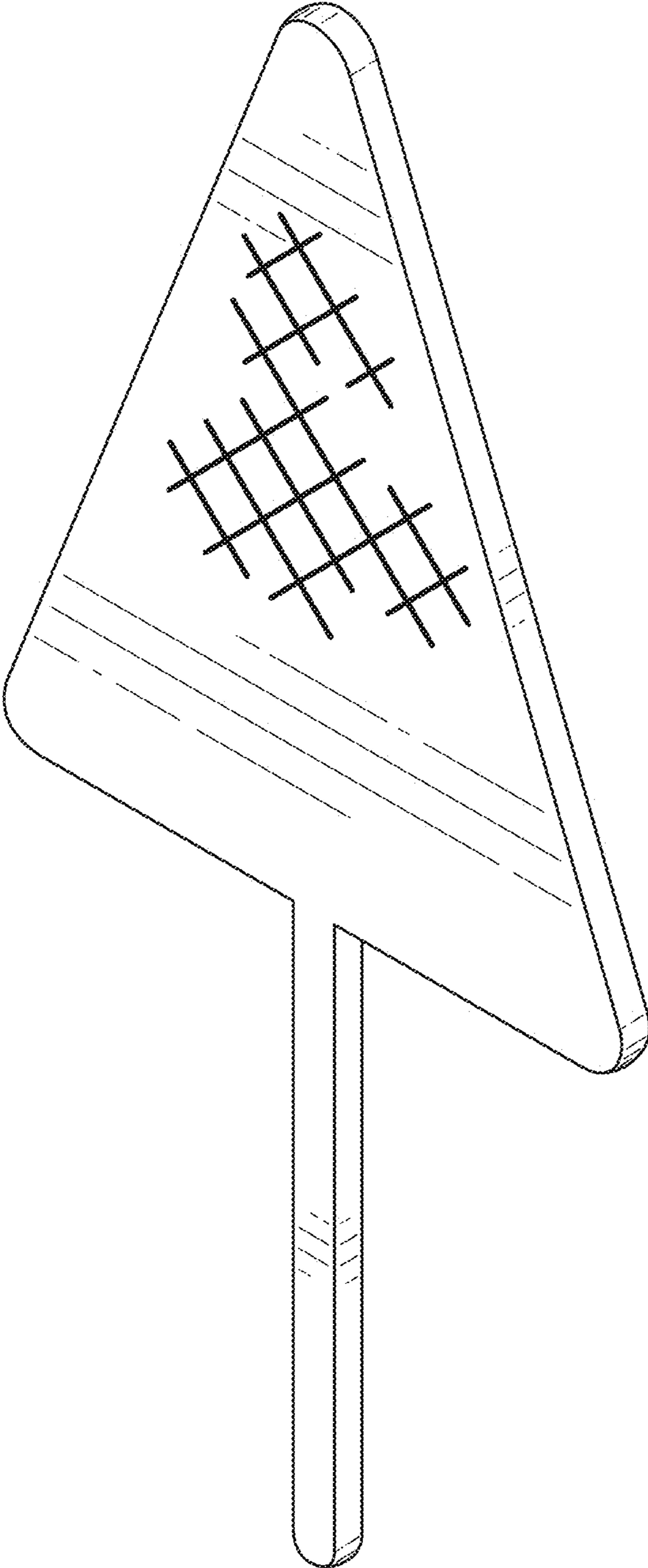


FIG. 1

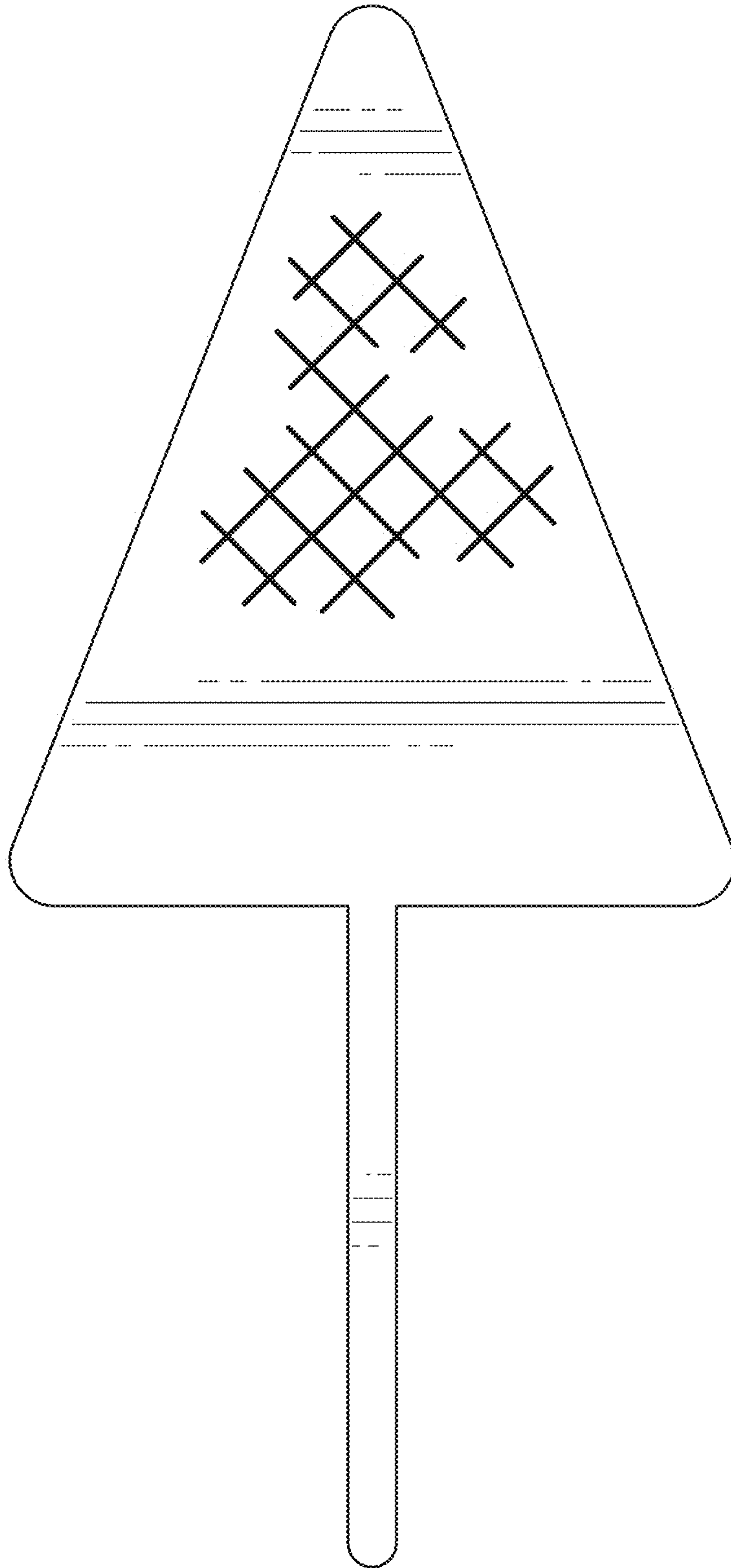


FIG. 2

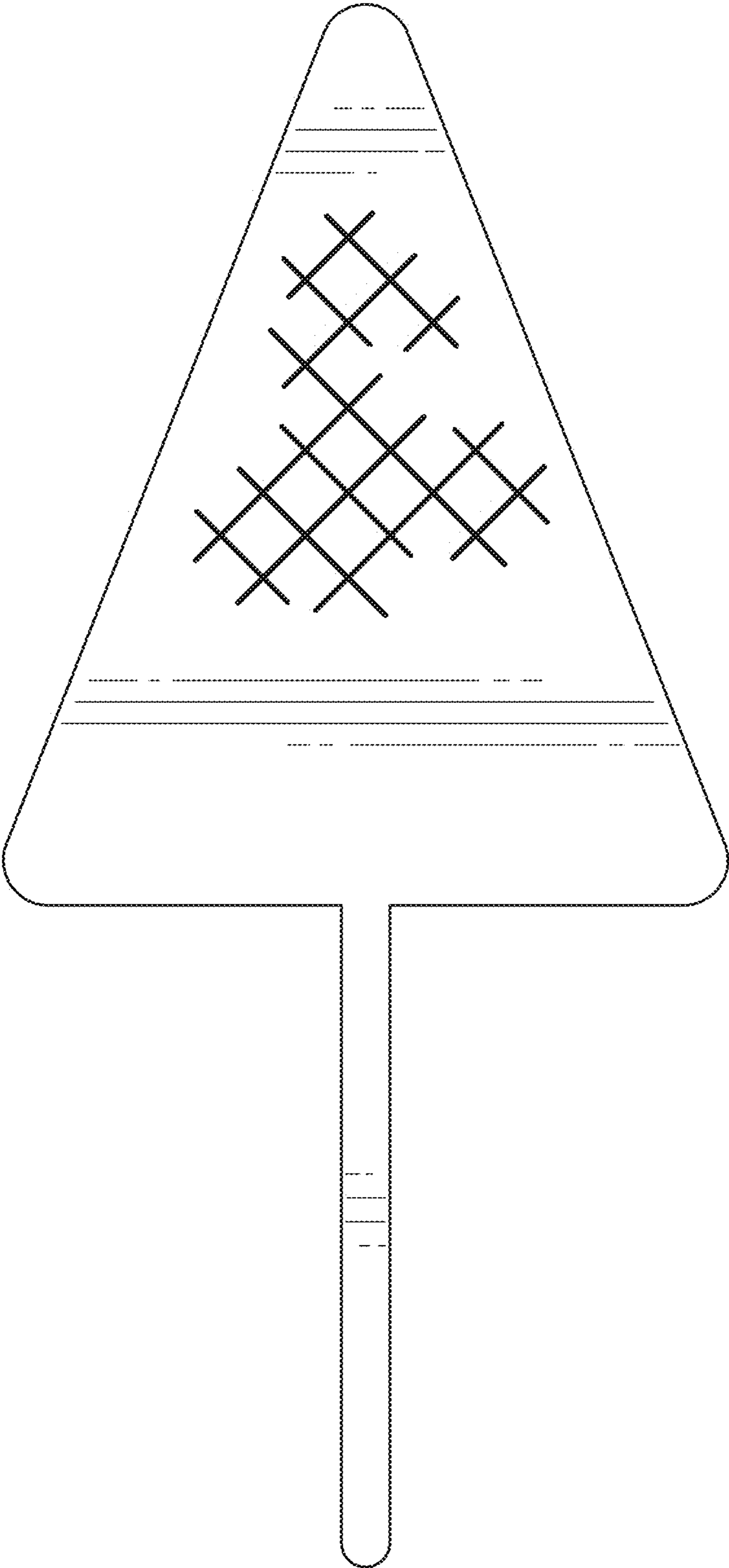


FIG. 3



FIG. 4



FIG. 5



FIG. 6



FIG. 7



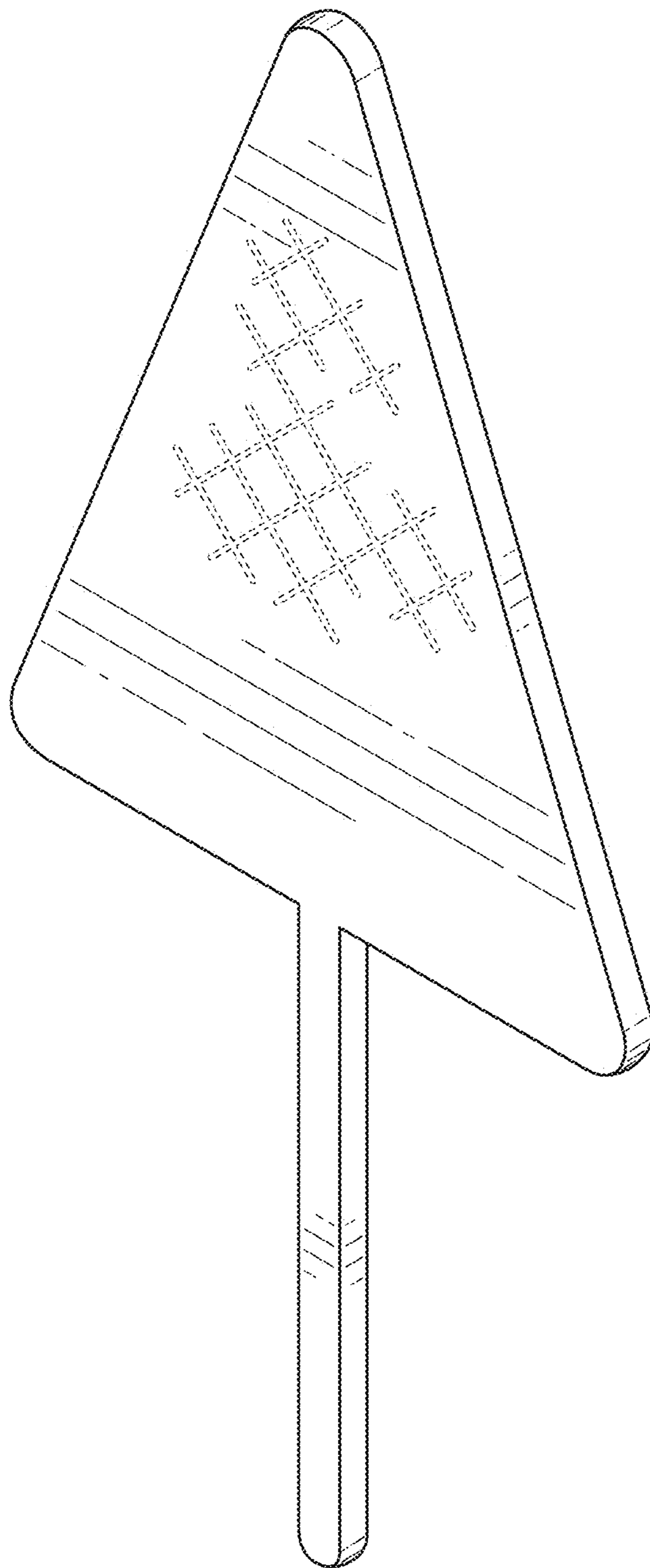


FIG. 8

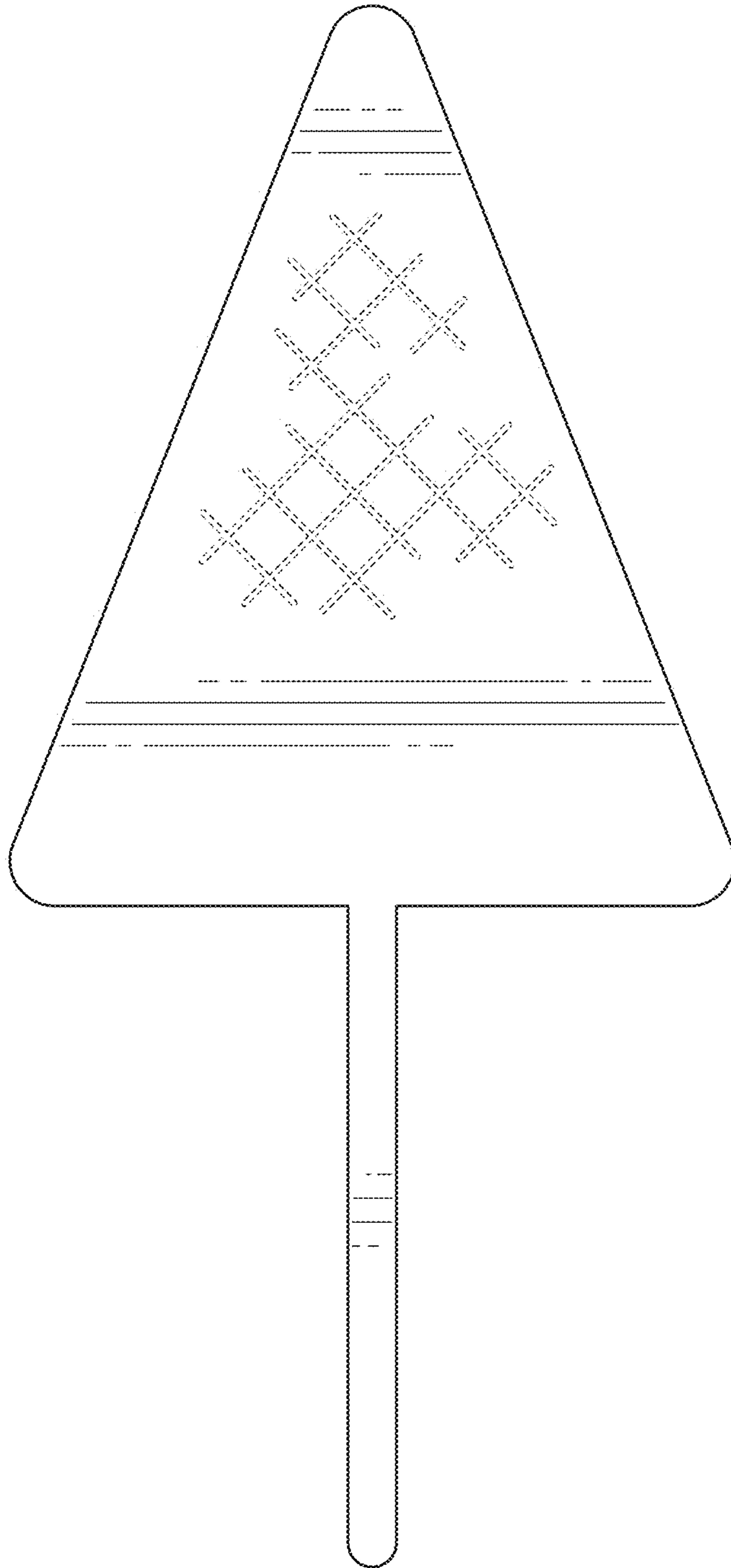


FIG. 9

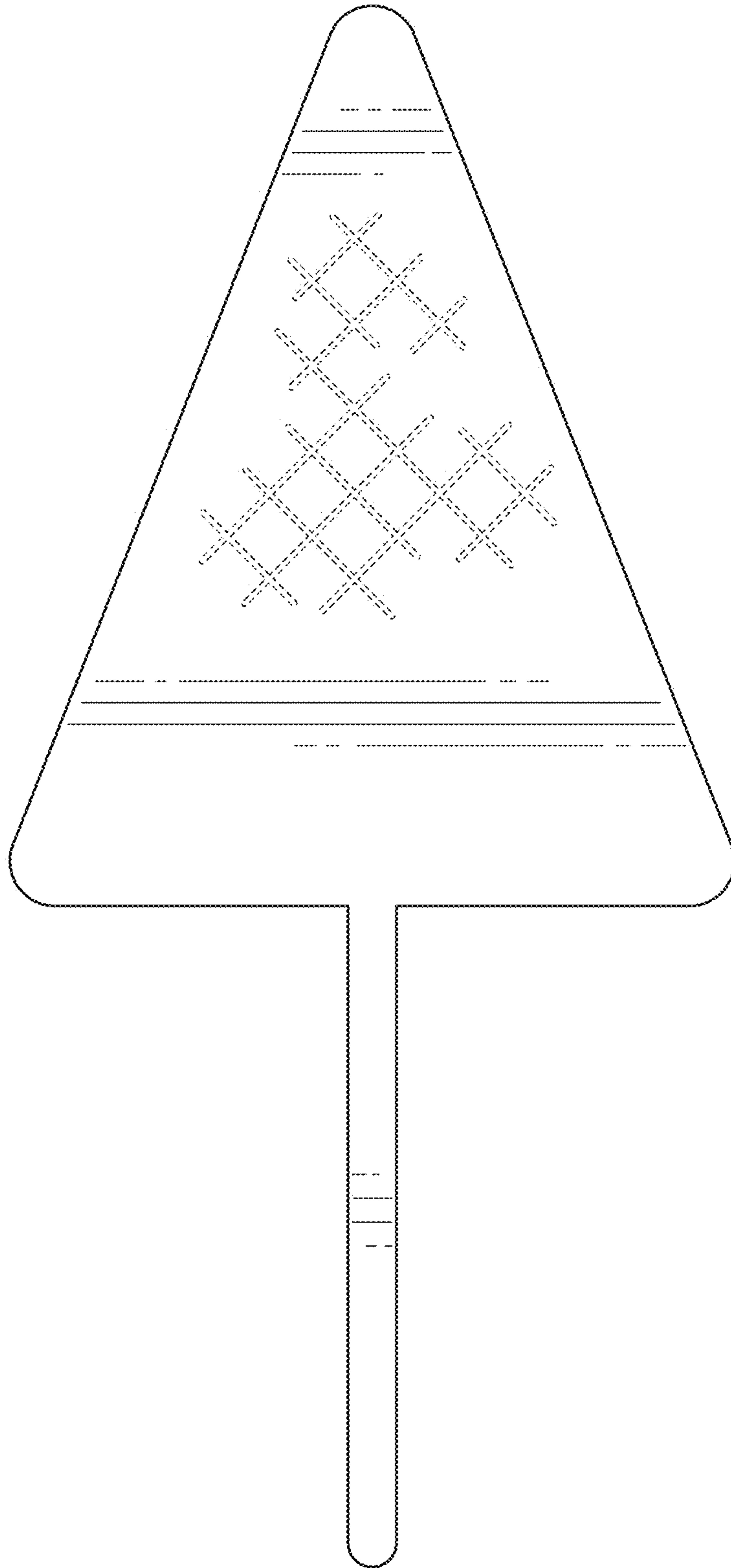


FIG. 10



FIG. 11



FIG. 12



FIG. 13



FIG. 14