



US00D909829S

(12) **United States Design Patent** (10) **Patent No.:** **US D909,829 S**
Angel et al. (45) **Date of Patent:** **** Feb. 9, 2021**

(54) **COMBINED ICE CREAM SCOOP AND ATTACHMENT**

(71) Applicant: **The Happyware Company LLC**, Elk Grove Village, IL (US)

(72) Inventors: **Arturo D. Angel**, Glen Ellyn, IL (US); **Kimberly M. Angel**, Glen Ellyn, IL (US)

(73) Assignee: **The Happyware Company LLC**, Elk Grove Village, IL (US)

(**) Term: **15 Years**

(21) Appl. No.: **29/692,902**

(22) Filed: **May 29, 2019**

(51) **LOC (13) Cl.** **07-99**

(52) **U.S. Cl.**
USPC **D7/681**

(58) **Field of Classification Search**
USPC D7/680-696, 393, 395
(Continued)

(56) **References Cited**

U.S. PATENT DOCUMENTS

2,351,568 A * 6/1944 Wheaton C25D 1/00
205/73
5,000,672 A * 3/1991 Halimi A47J 43/282
219/227

(Continued)

Primary Examiner — Terry A Wallace

(74) *Attorney, Agent, or Firm* — McAndrews, Held & Malloy, Ltd.

(57) **CLAIM**

The ornamental design for an combined ice cream scoop and attachment, as shown and described.

DESCRIPTION

FIG. 1 is a front perspective view of an combined ice cream scoop and attachment showing my new design according to a first embodiment;

FIG. 2 is a front perspective view of an combined ice cream scoop and attachment showing my new design according to a second embodiment;

FIG. 3 is a front perspective view of an combined ice cream scoop and attachment showing my new design according to a third embodiment;

FIG. 4 is a front perspective view of an combined ice cream scoop and attachment showing my new design according to a fourth embodiment;

FIG. 5 is a front elevation view of the combined ice cream scoop and attachment of the first, second, third, and fourth embodiments, shown separately for clarity of illustration;

FIG. 6 is a rear elevation view thereof;

FIG. 7 is a left side elevation view thereof;

FIG. 8 is a right side elevation view thereof;

FIG. 9 is a top plan view thereof;

FIG. 10 is a bottom plan view thereof;

FIG. 11 is a front perspective view of the attachment of the first embodiment, shown separately for clarity of illustration;

FIG. 12 is a front elevation view thereof;

FIG. 13 is a rear elevation view thereof;

FIG. 14 is a left side elevation view thereof;

FIG. 15 is a right side elevation view thereof;

FIG. 16 is a top plan view thereof;

FIG. 17 is a front perspective view of the attachment of the second embodiment, shown separately for clarity of illustration;

FIG. 18 is a front elevation view thereof;

FIG. 19 is a rear elevation view thereof;

FIG. 20 is a left side elevation view thereof;

FIG. 21 is a right side elevation view thereof;

FIG. 22 is a top plan view thereof;

FIG. 23 is a front perspective view of the attachment of the third embodiment, shown separately for clarity of illustration;

FIG. 24 is a front elevation view thereof;

FIG. 25 is a rear elevation view thereof;

FIG. 26 is a left side elevation view thereof;

FIG. 27 is a right side elevation view thereof;

FIG. 28 is a top plan view thereof;

FIG. 29 is a front perspective view of the attachment of the fourth embodiment, shown separately for clarity of illustration;

(Continued)

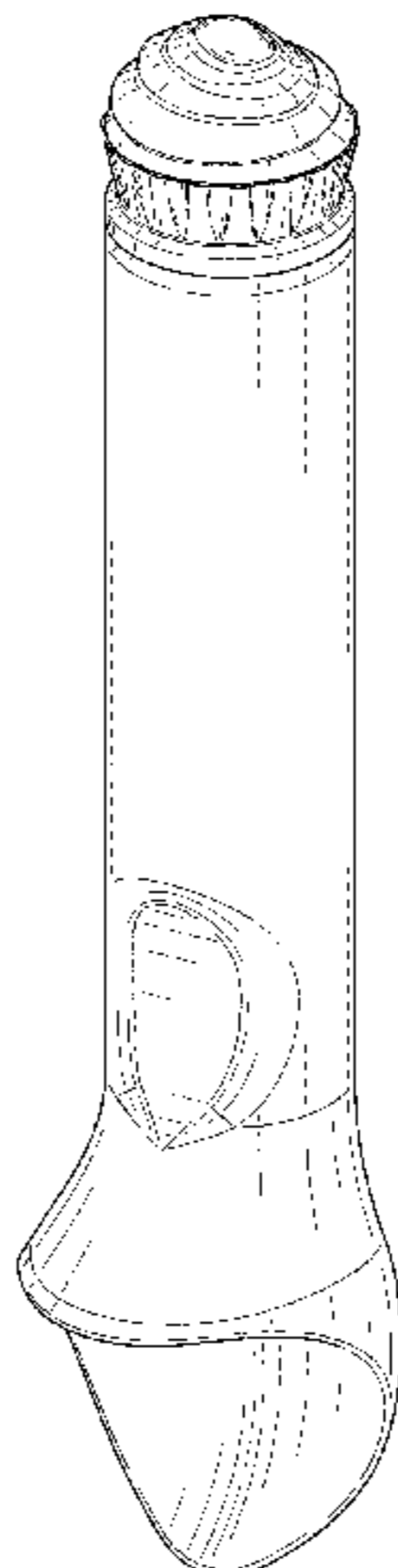


FIG. 30 is a front elevation view thereof;
FIG. 31 is a rear elevation view thereof;
FIG. 32 is a left side elevation view thereof;
FIG. 33 is a right side elevation view thereof; and,
FIG. 34 is a top plan view thereof.

1 Claim, 21 Drawing Sheets

(58) Field of Classification Search

CPC F24B 15/06; A23P 1/105; A47J 43/282;
A21C 5/00; A23G 9/287; A23G 9/283;
A47F 13/08

See application file for complete search history.

(56) References Cited

U.S. PATENT DOCUMENTS

D387,957 S * 12/1997 Keller D30/199
D391,811 S * 3/1998 Molo D7/681
6,846,171 B2 * 1/2005 Herbert A47J 43/282
425/277
D629,663 S * 12/2010 Grobelny D7/693
D630,063 S * 1/2011 Funka, Jr. D7/681

* cited by examiner

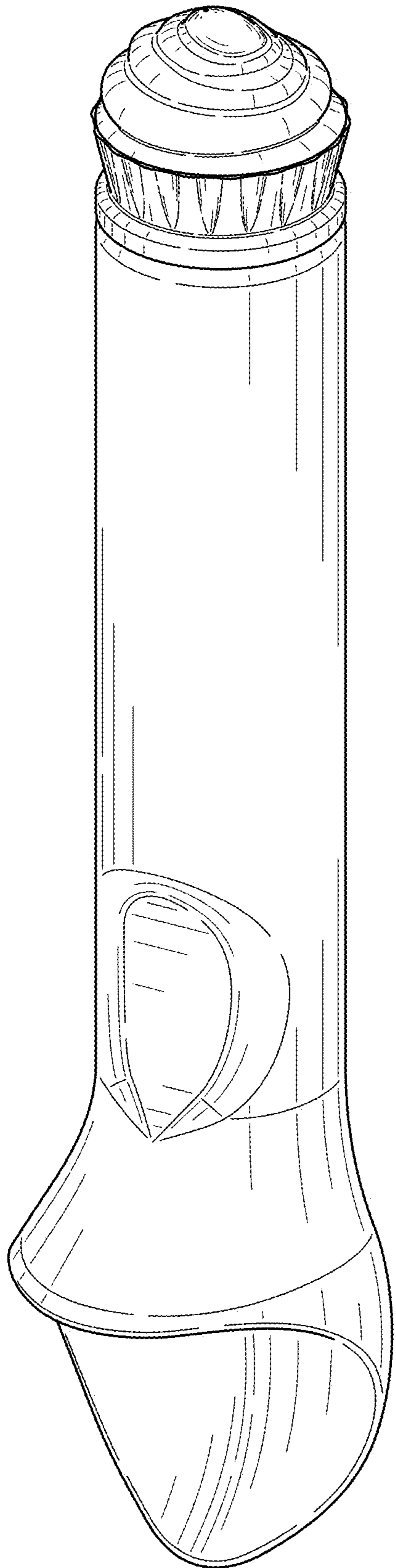


FIG. 1

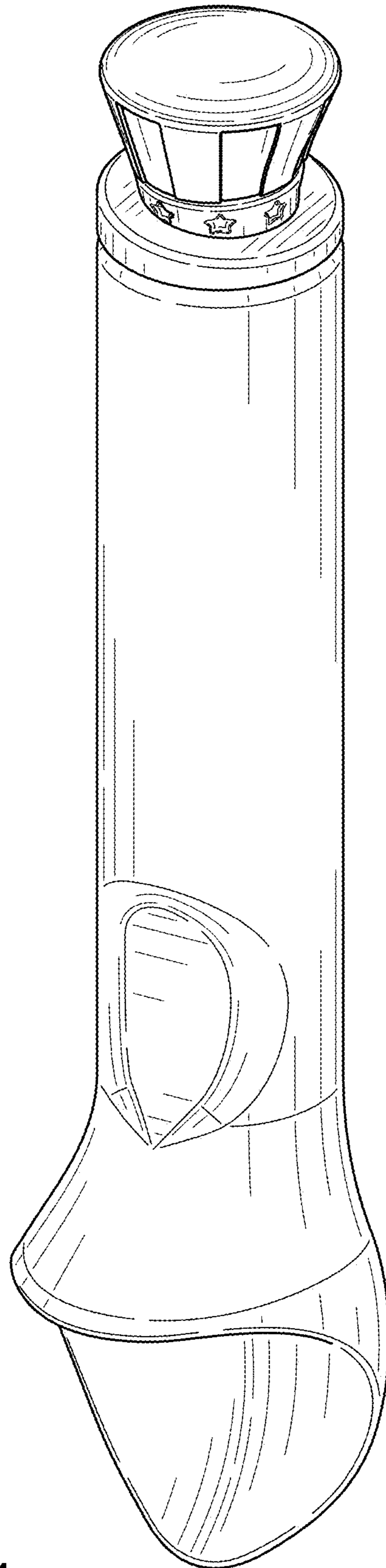


FIG. 2

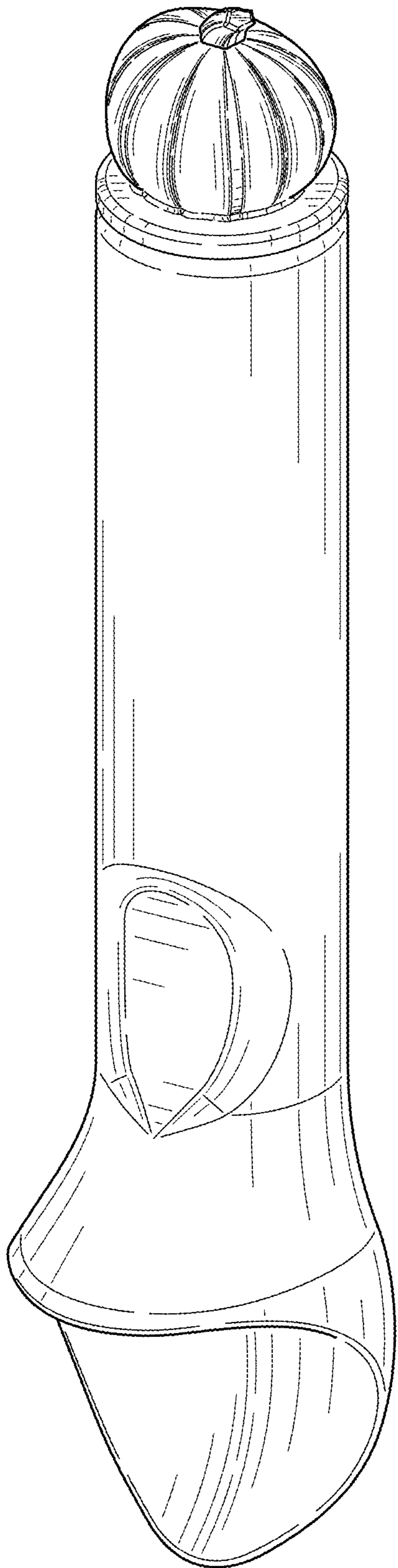


FIG. 3

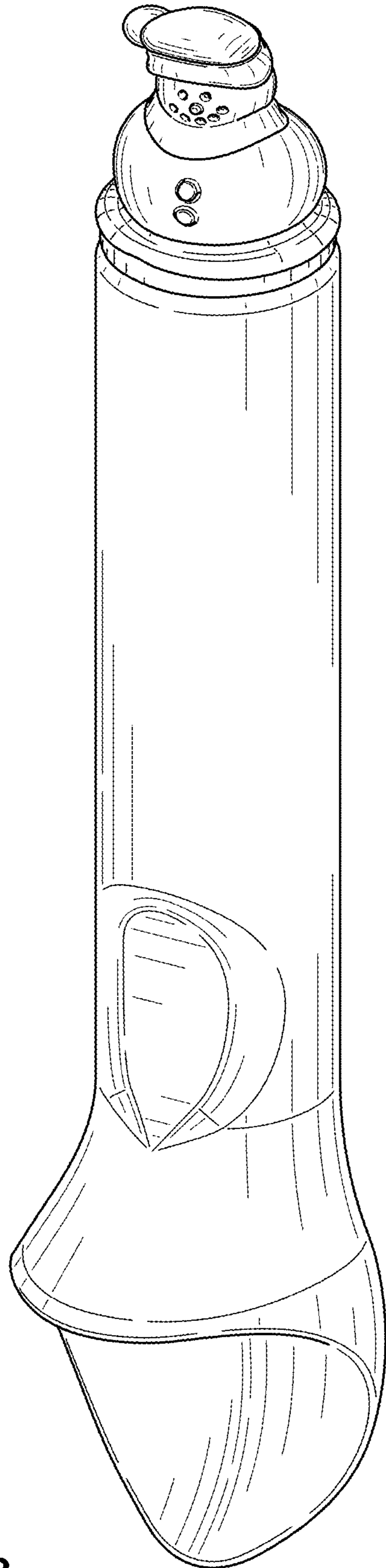


FIG. 4

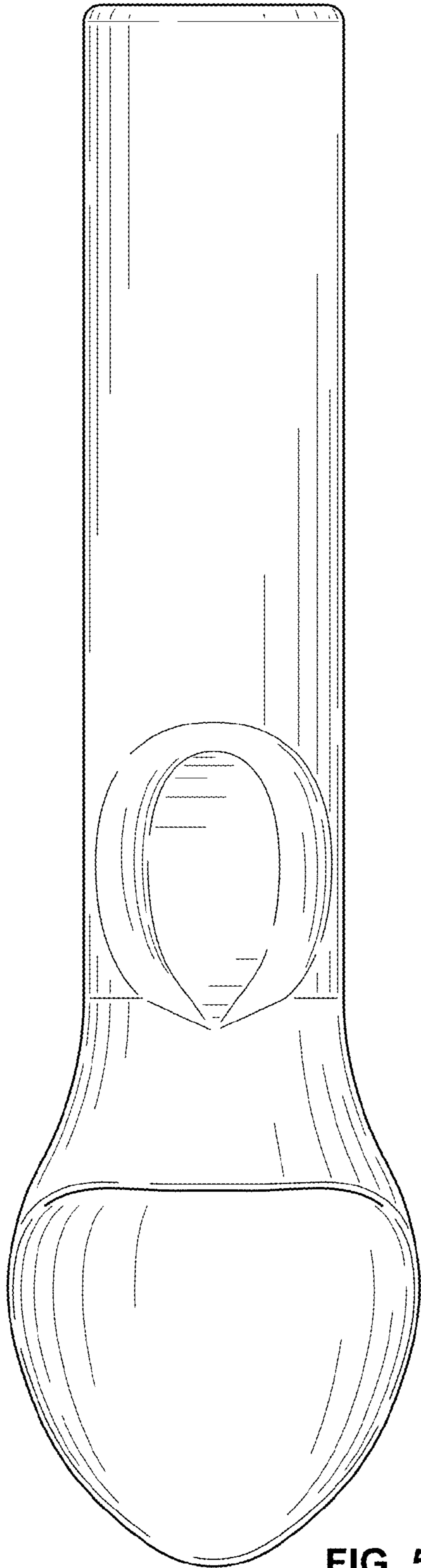


FIG. 5

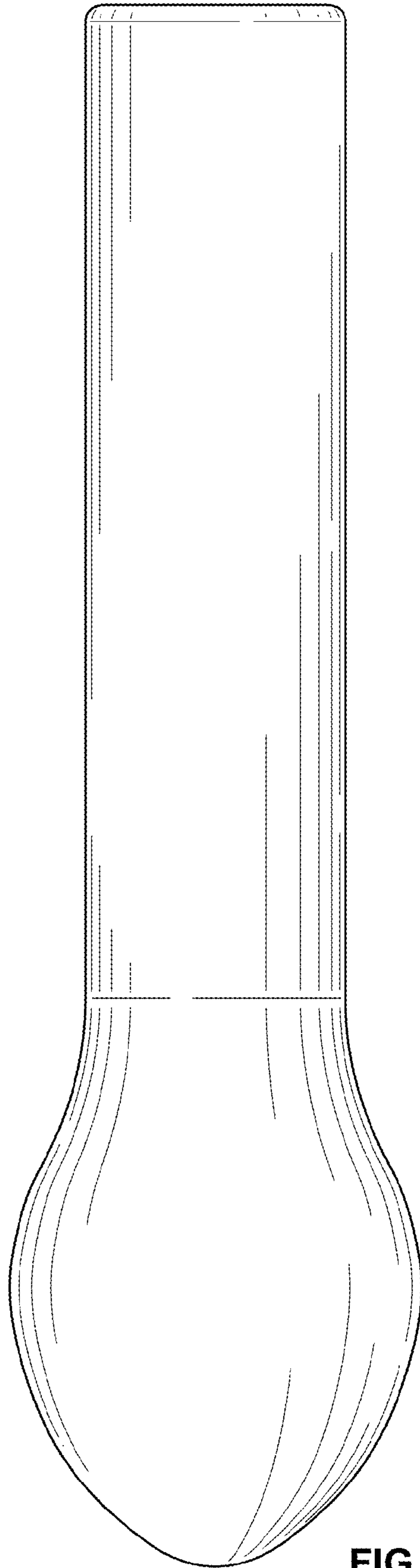


FIG. 6

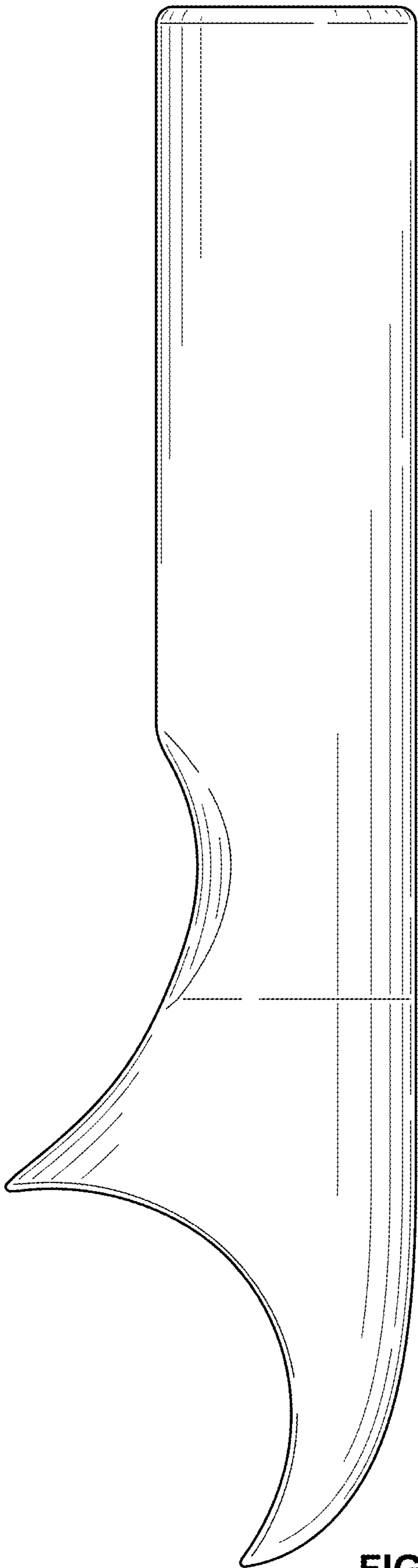


FIG. 7

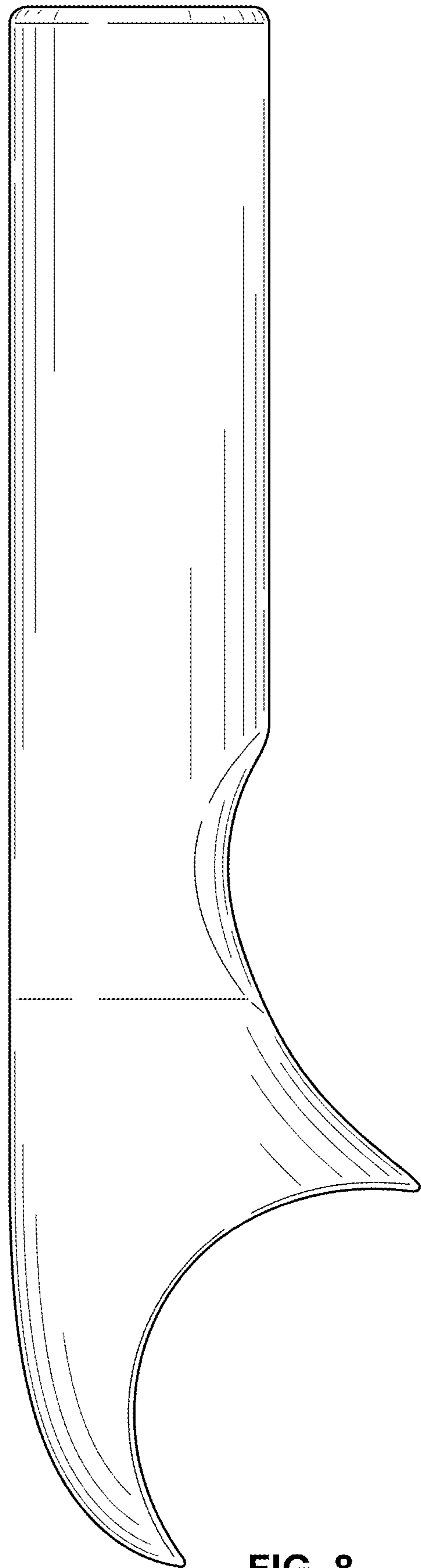


FIG. 8

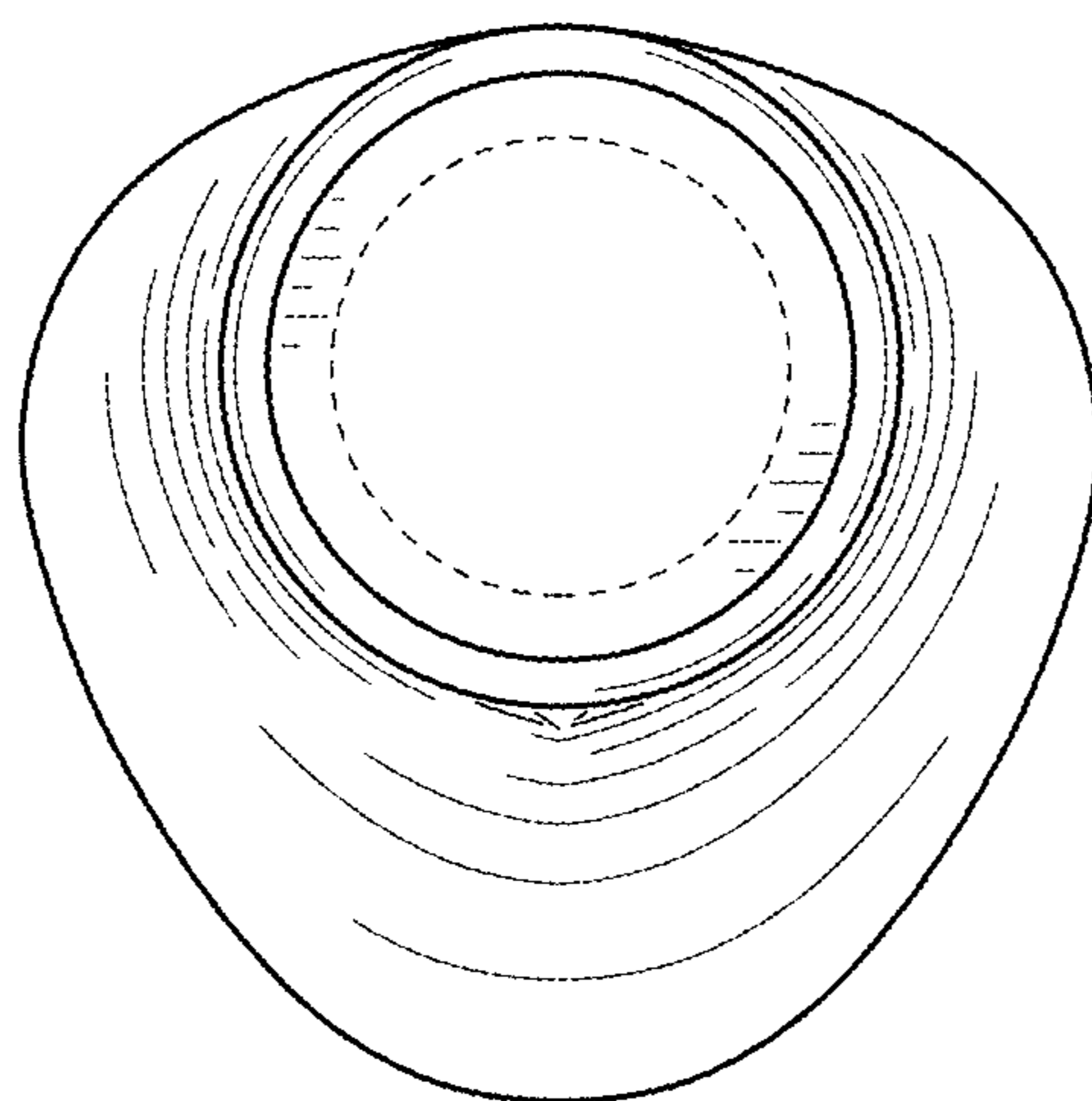


FIG. 9

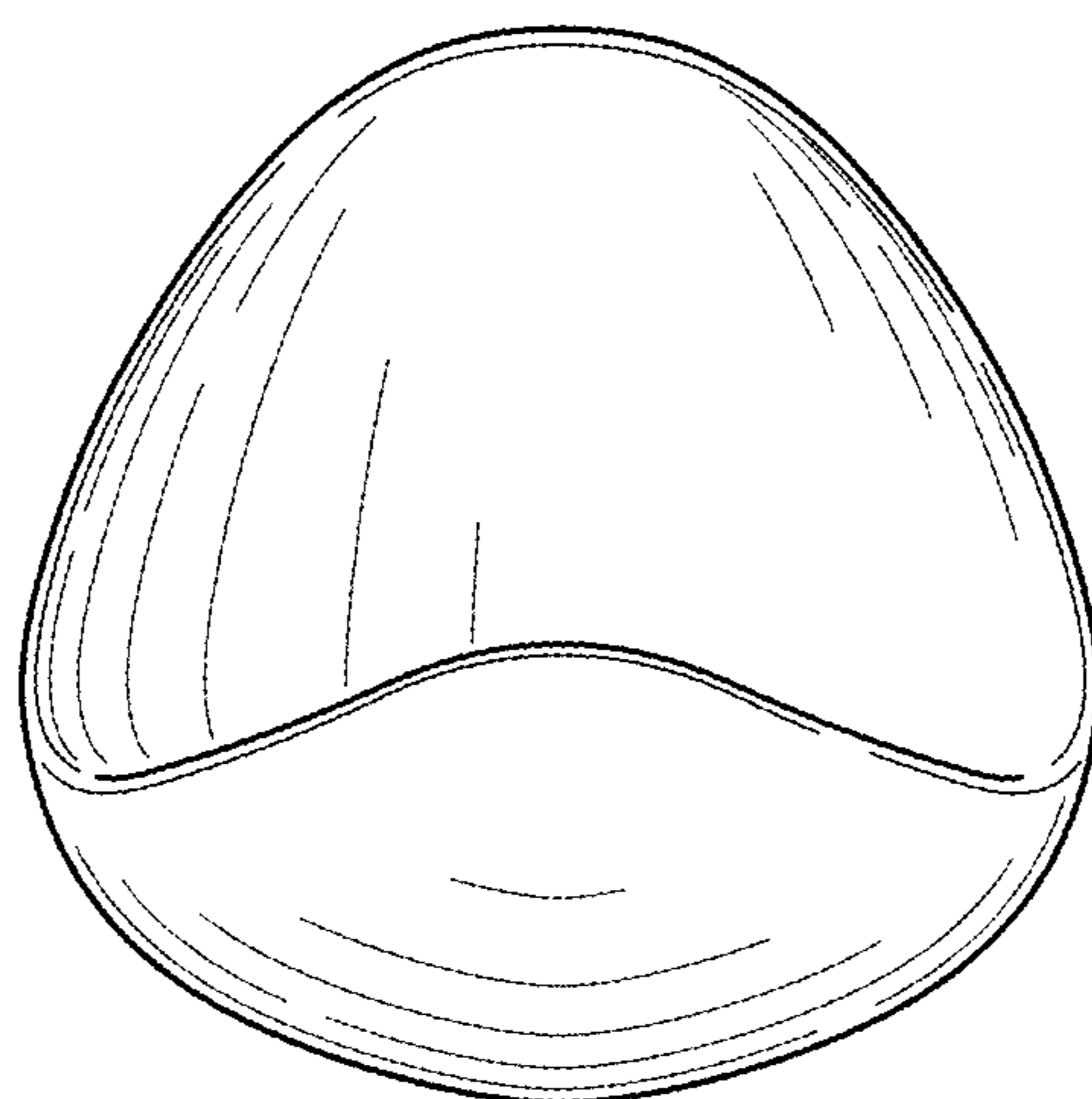


FIG. 10

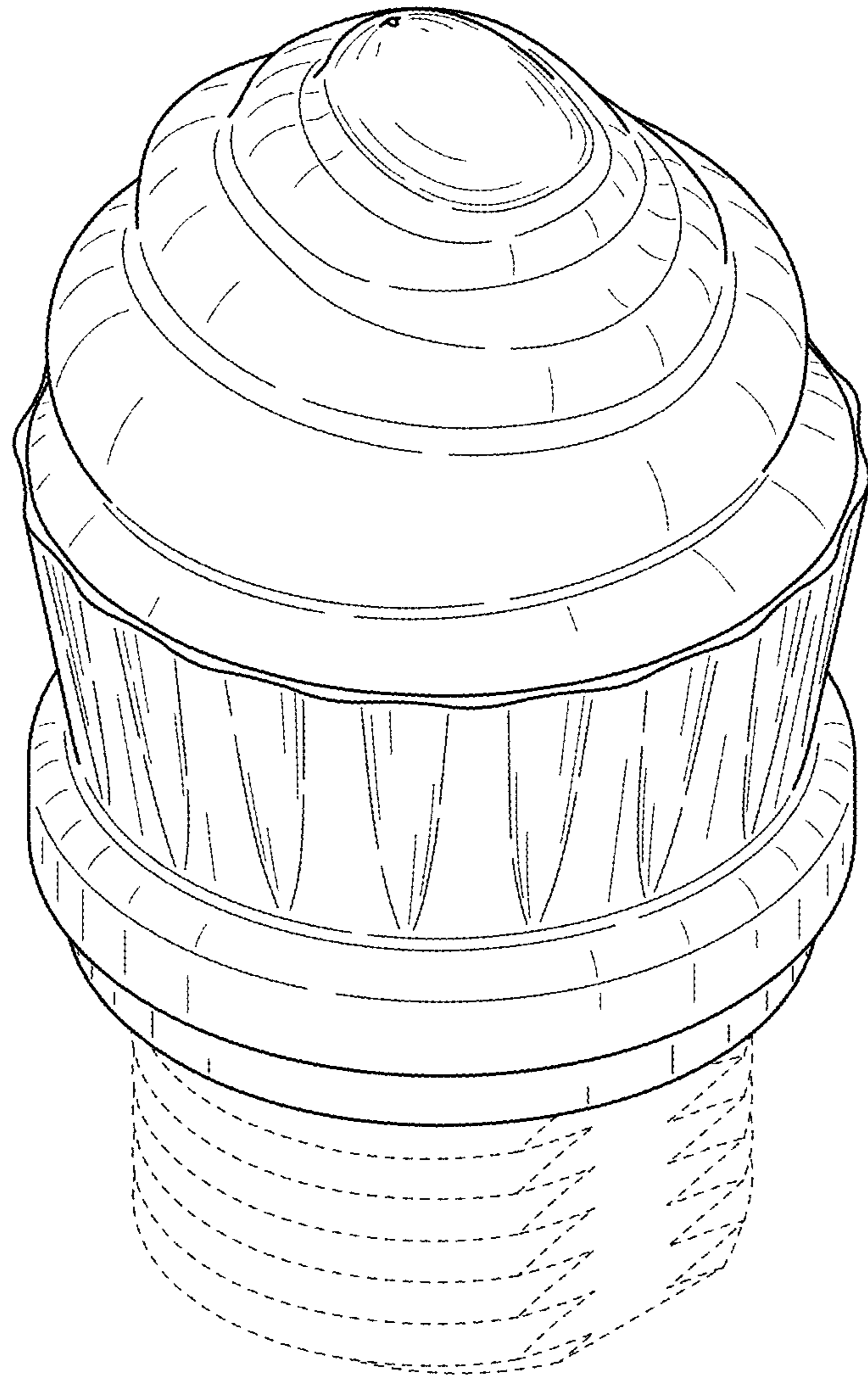


FIG. 11

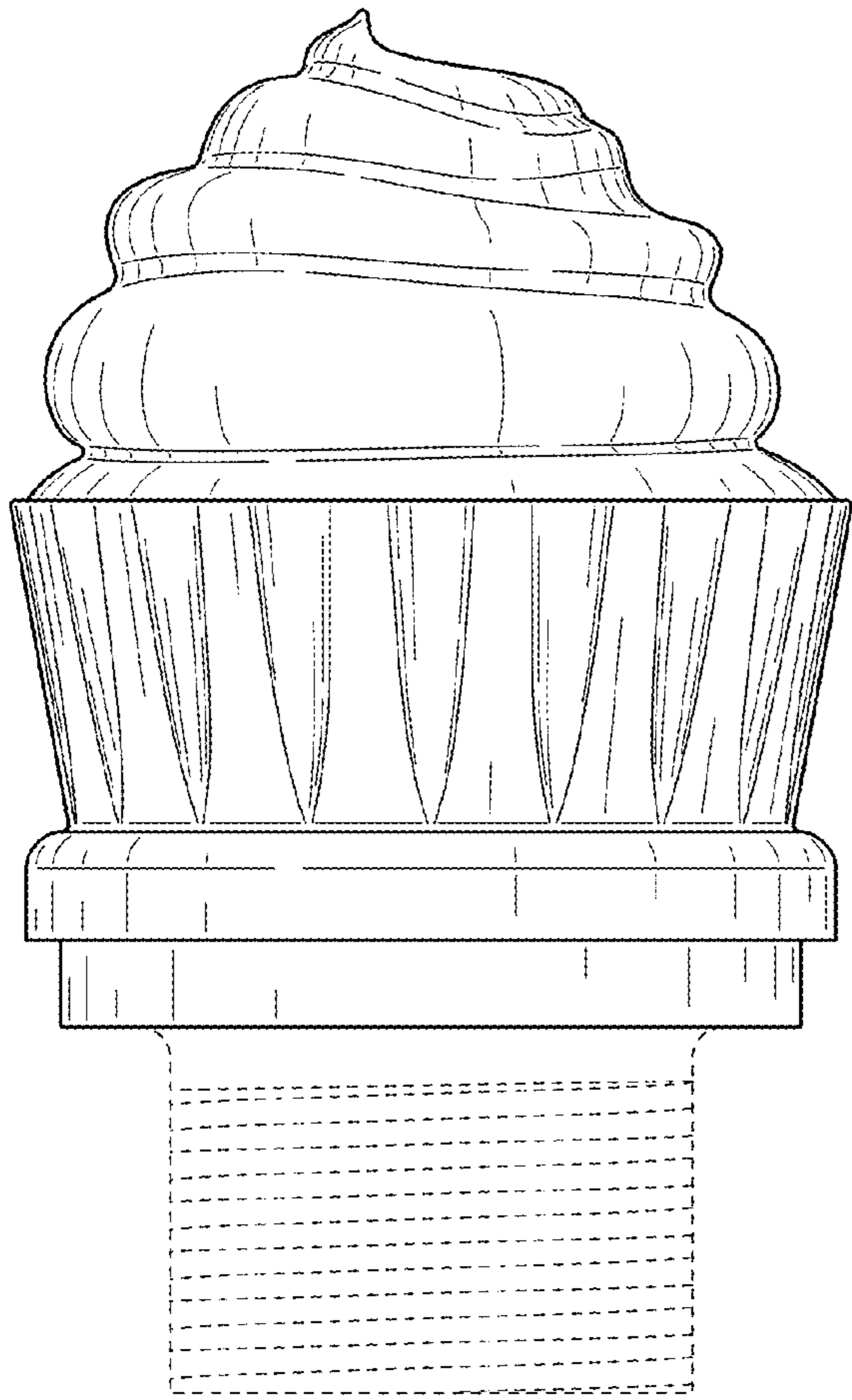


FIG. 12

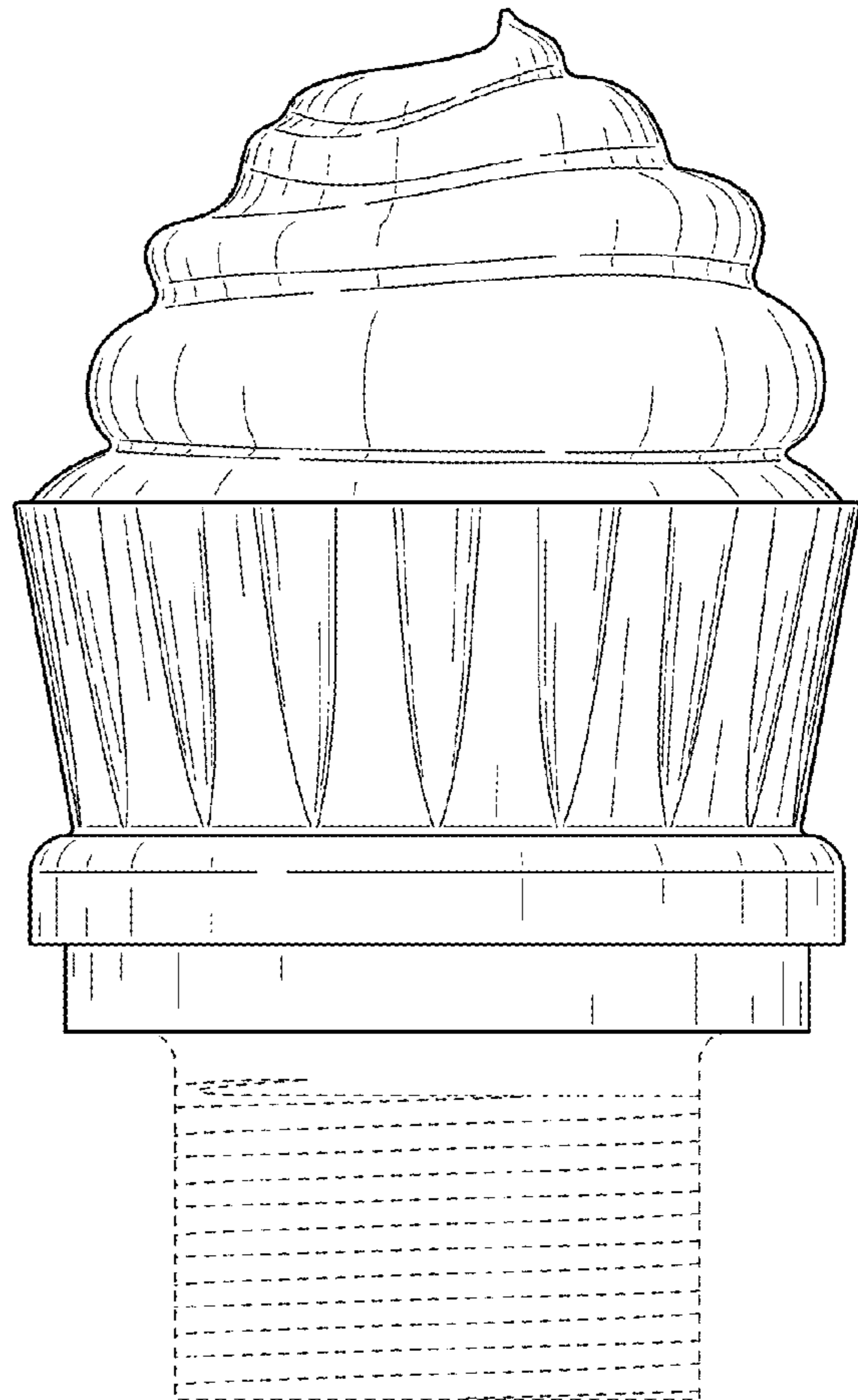


FIG. 13

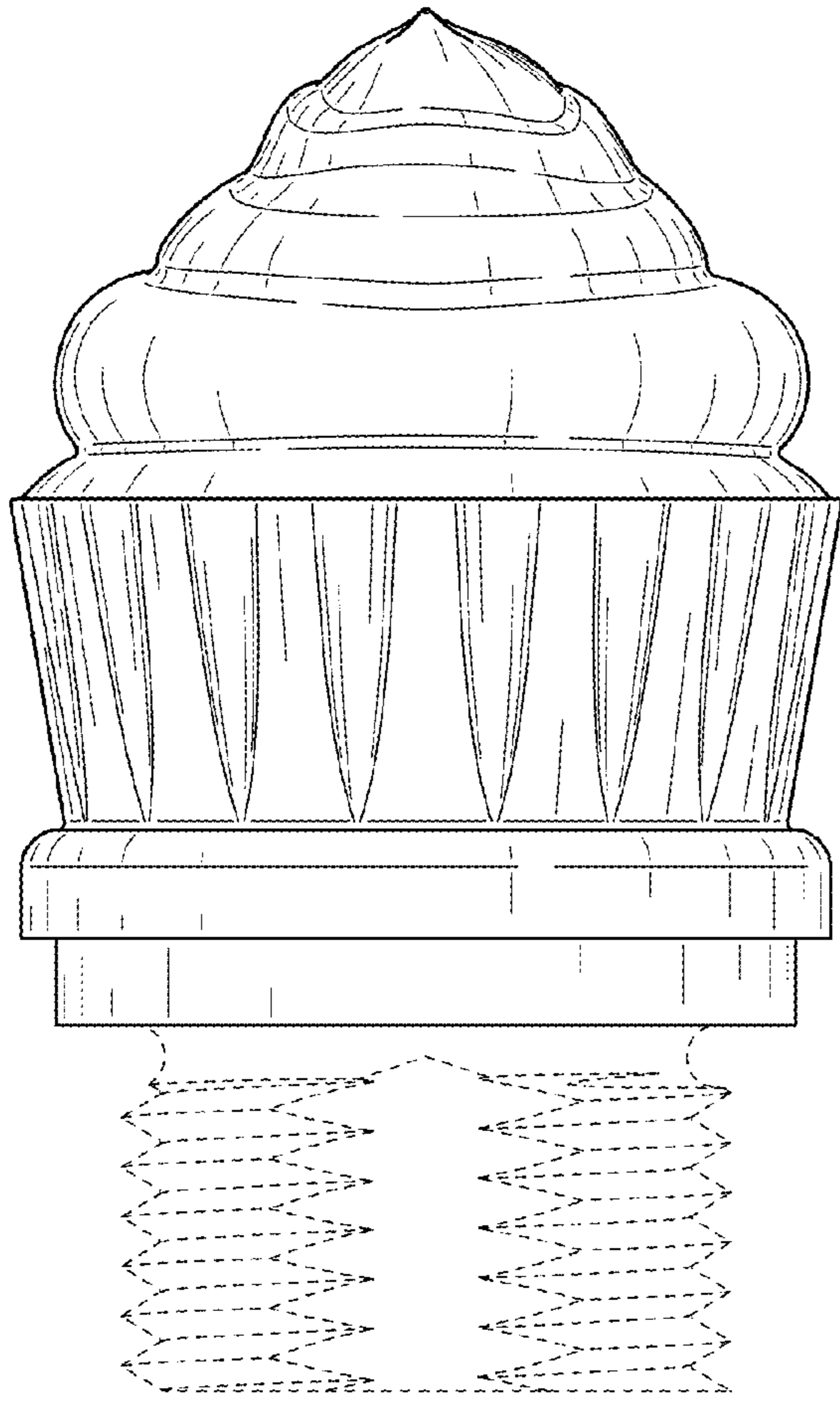


FIG. 14

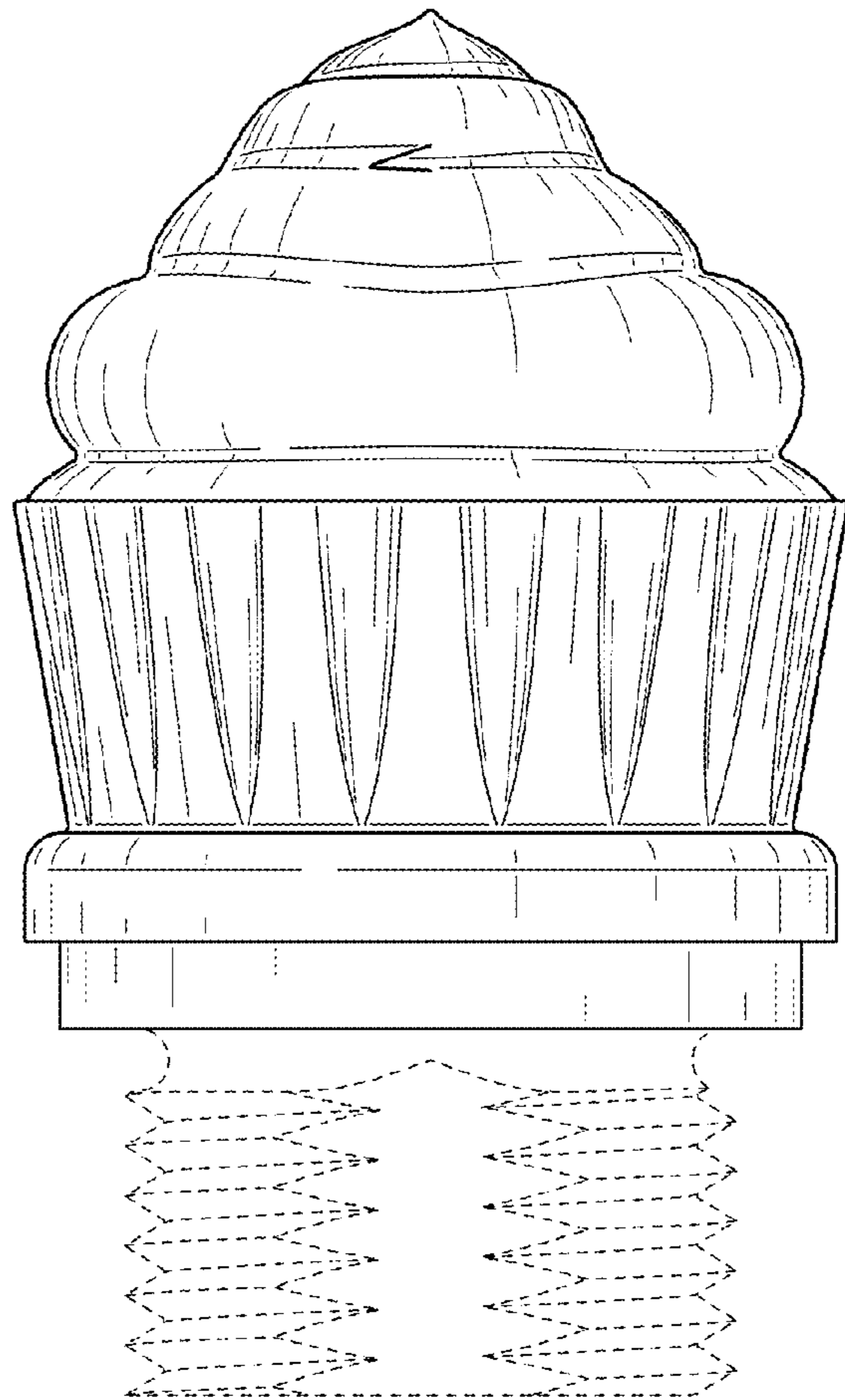


FIG. 15

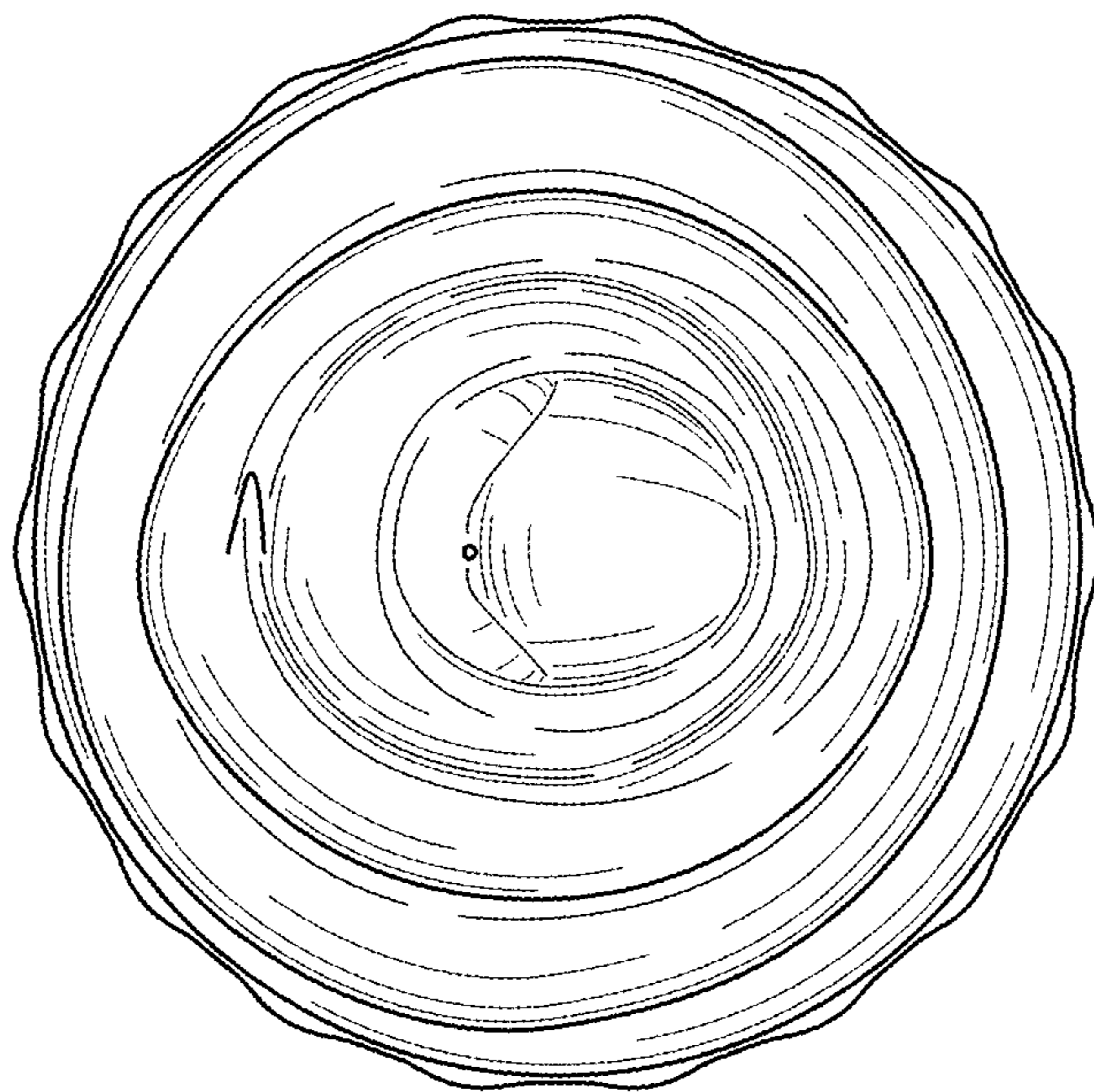


FIG. 16

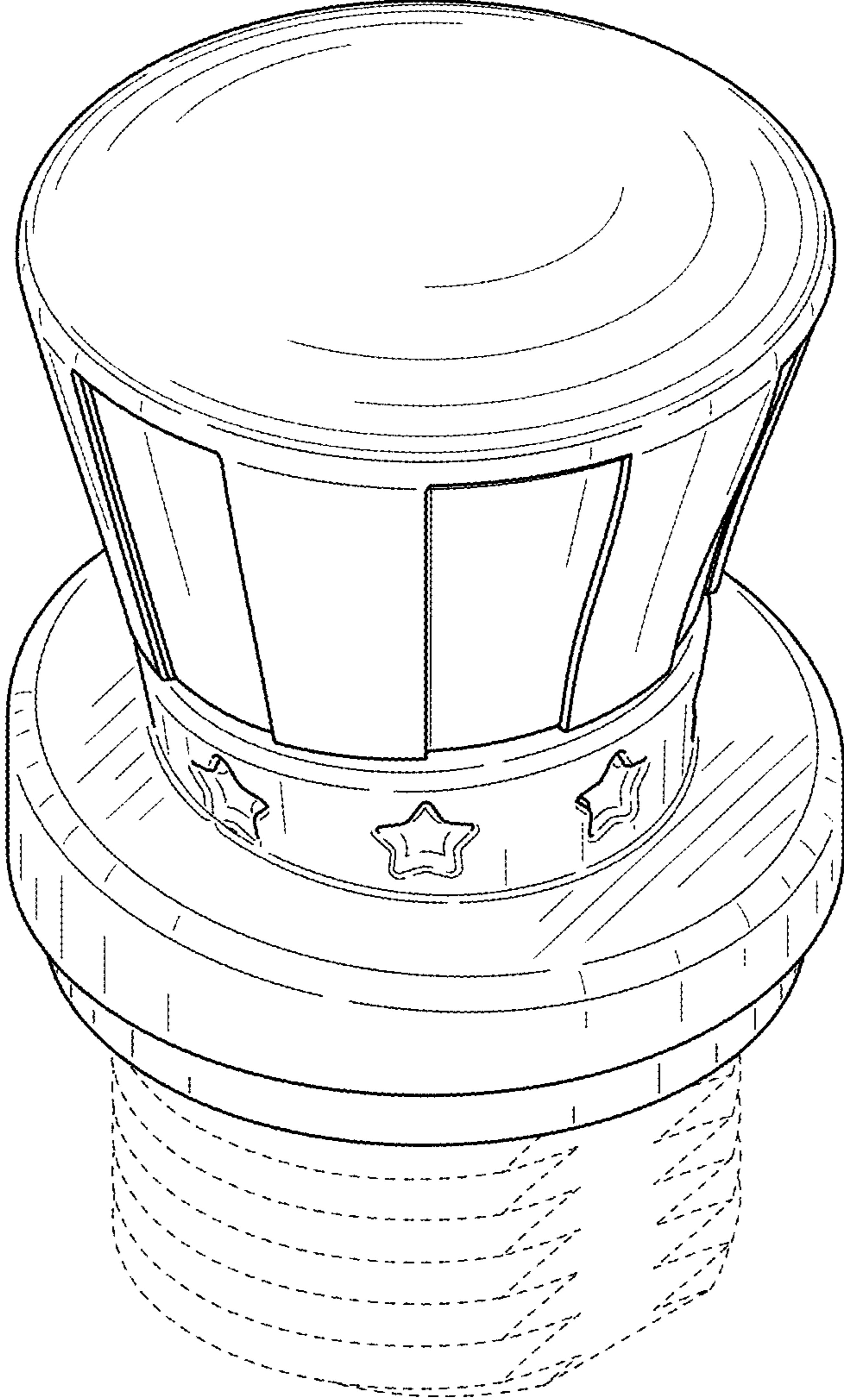


FIG. 17

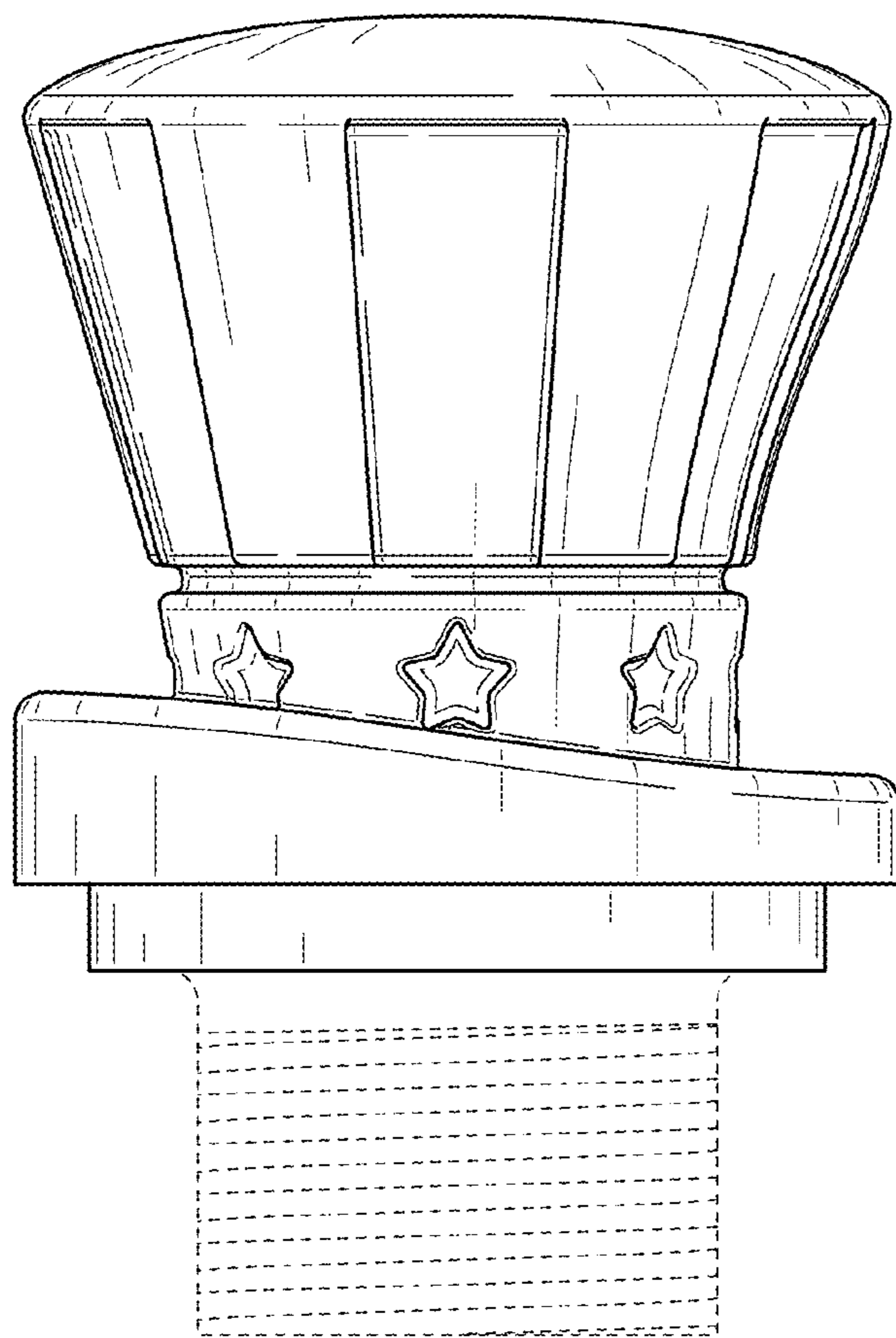


FIG. 18

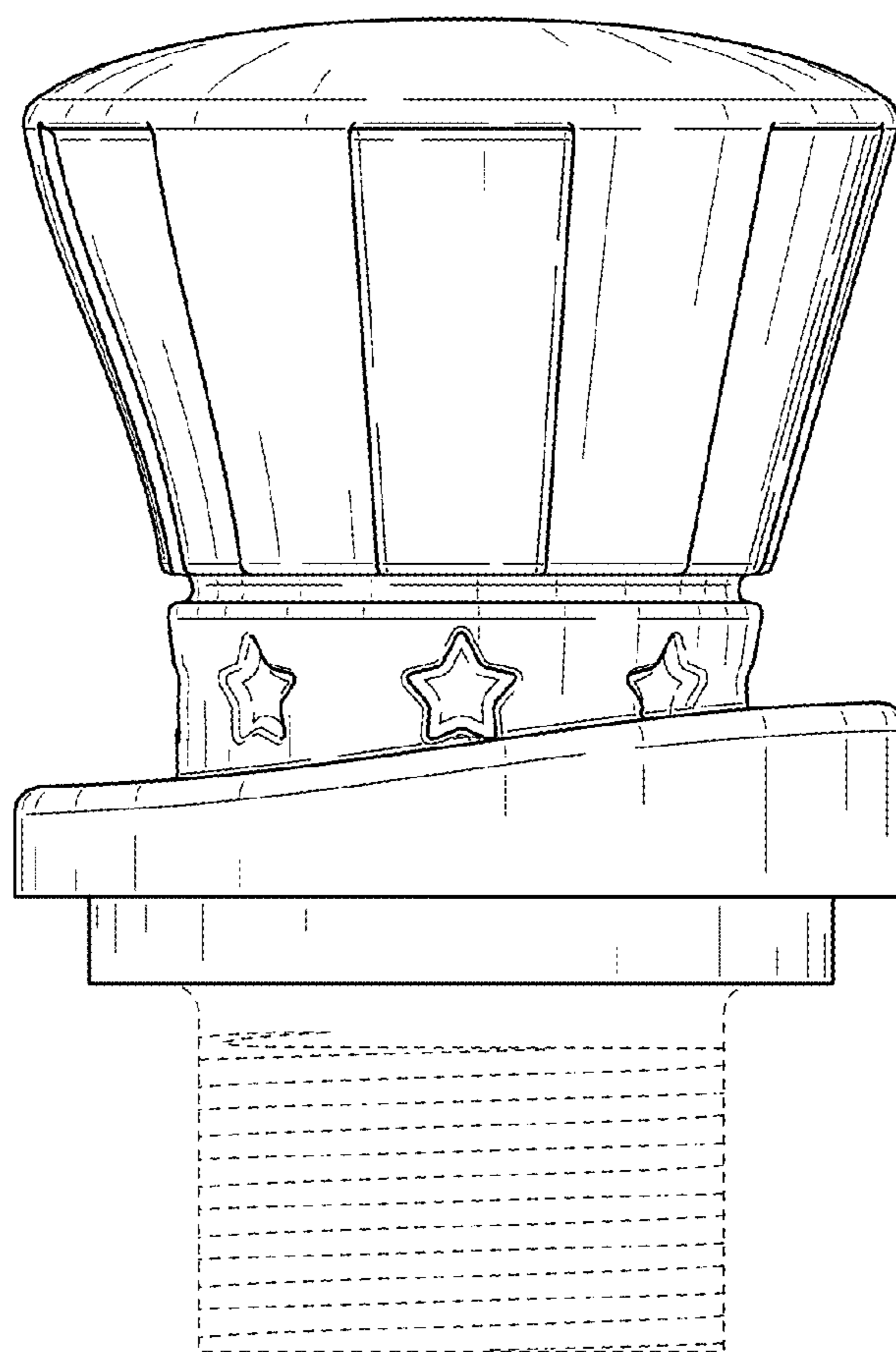


FIG. 19

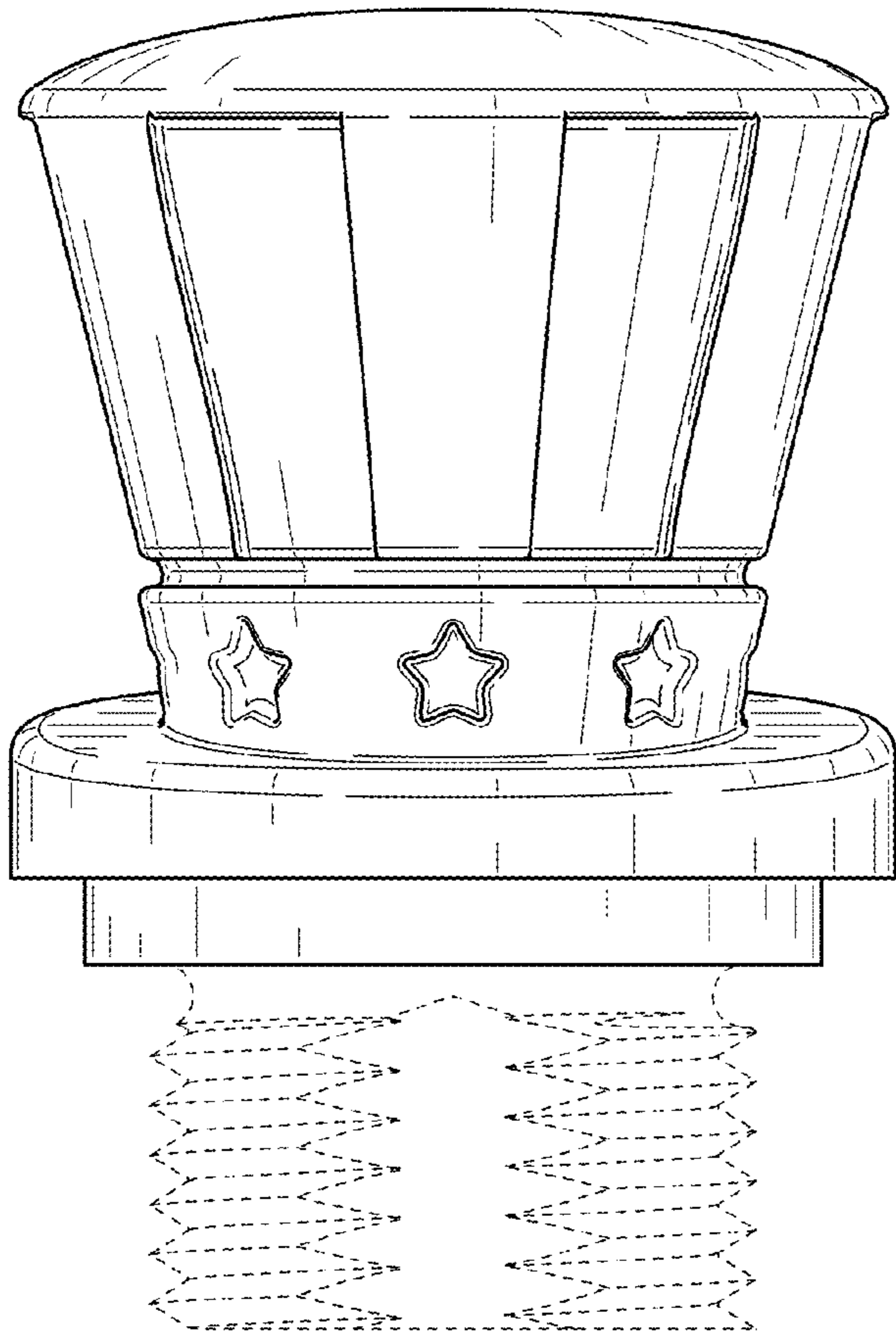


FIG. 20

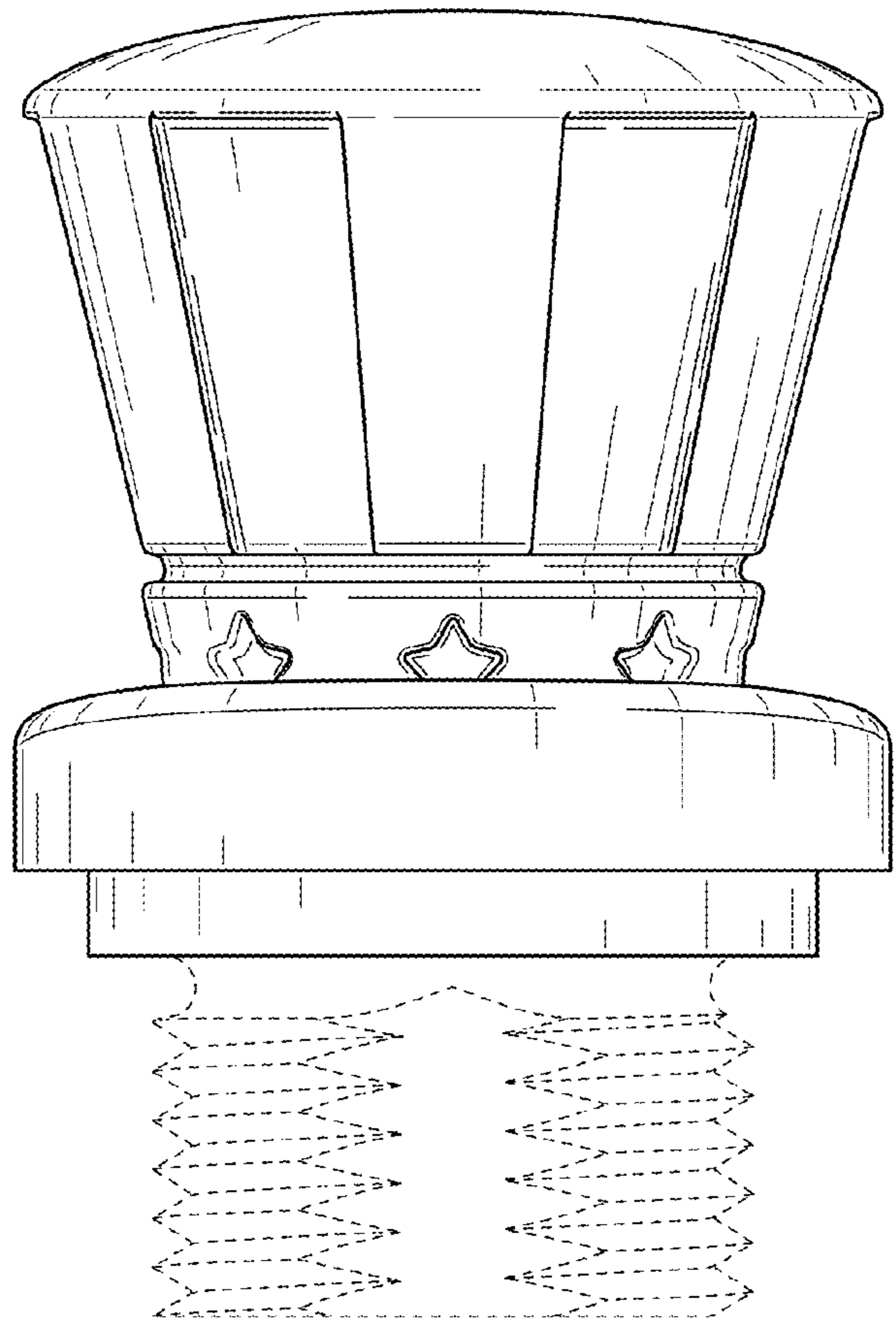


FIG. 21

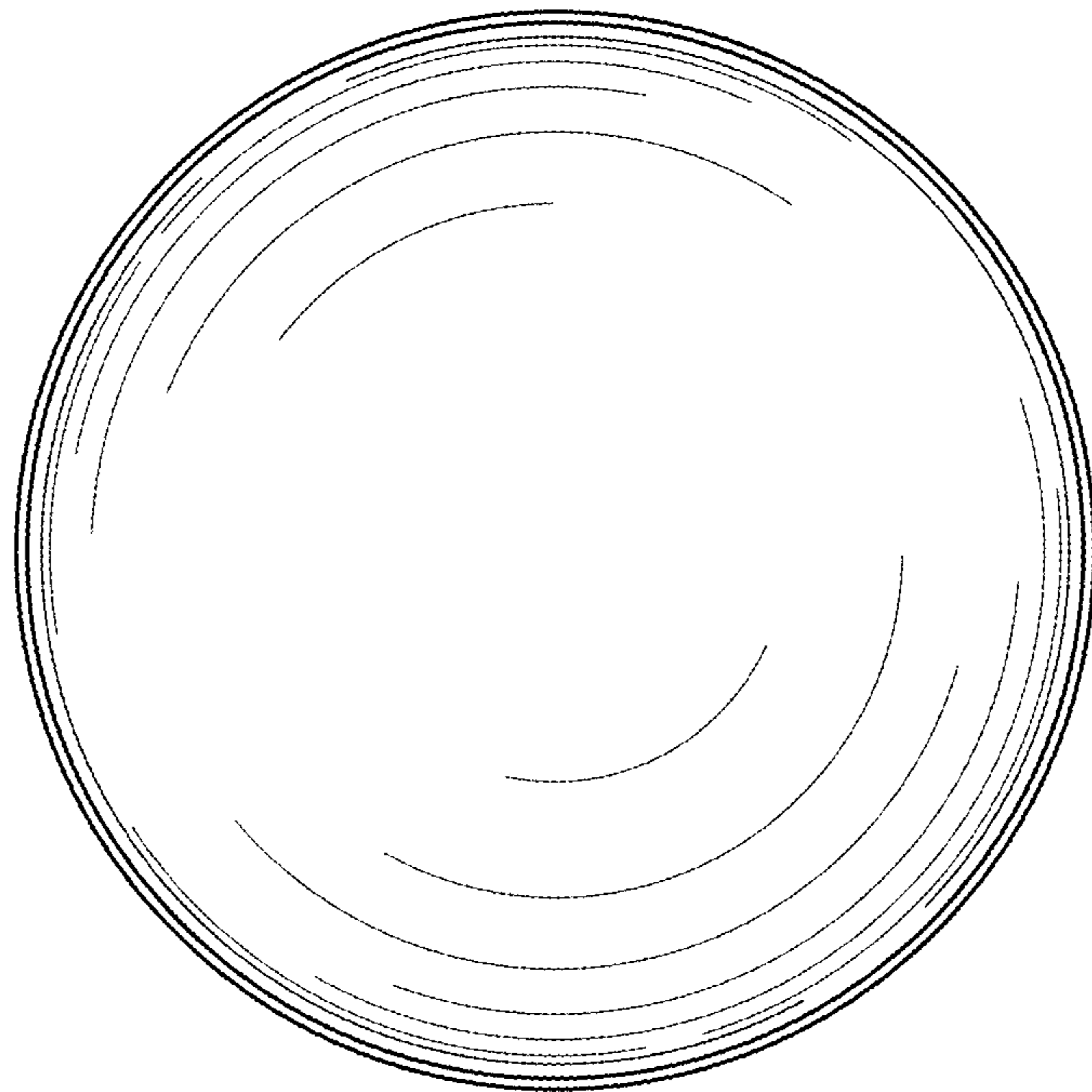


FIG. 22

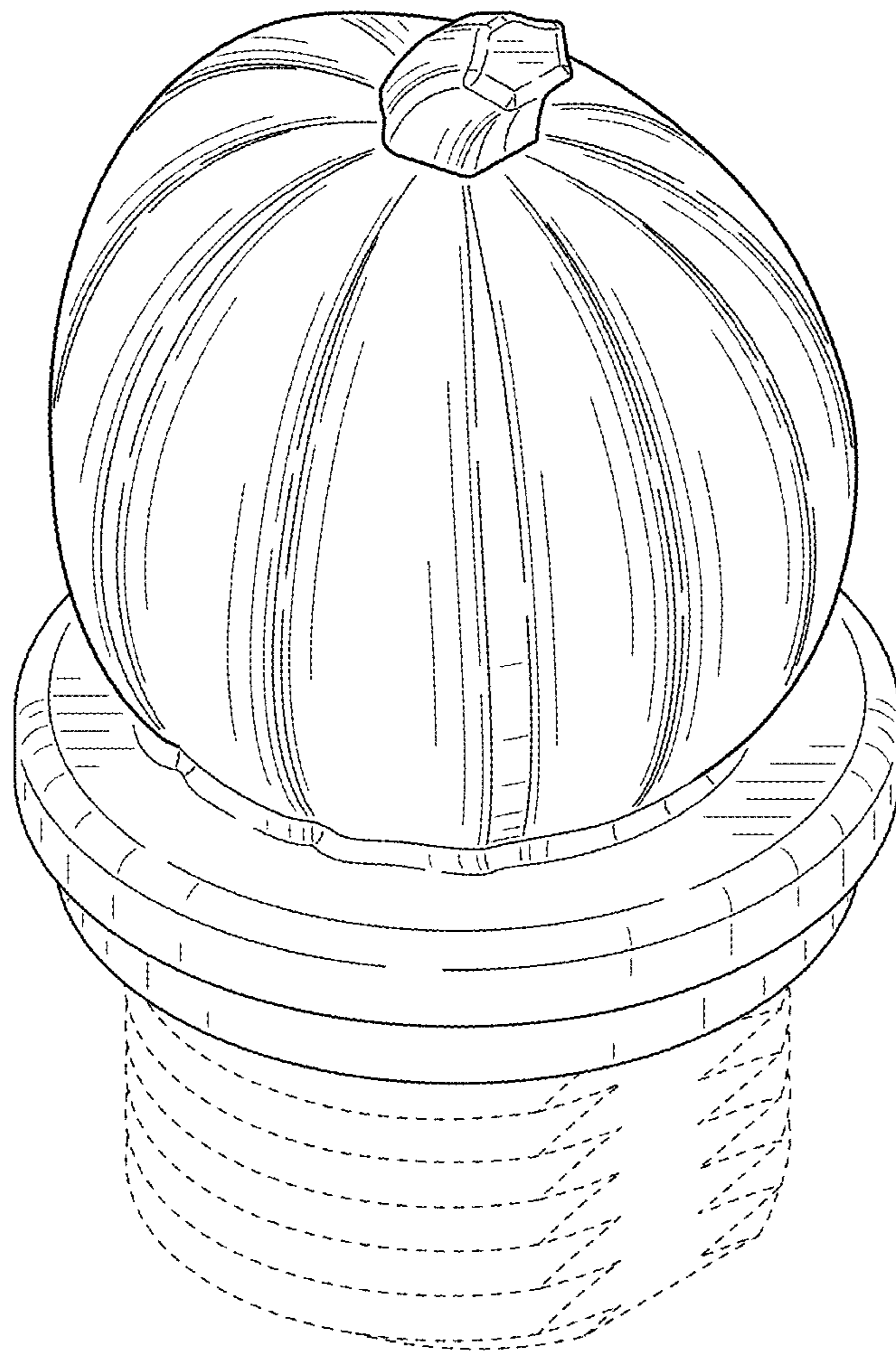


FIG. 23

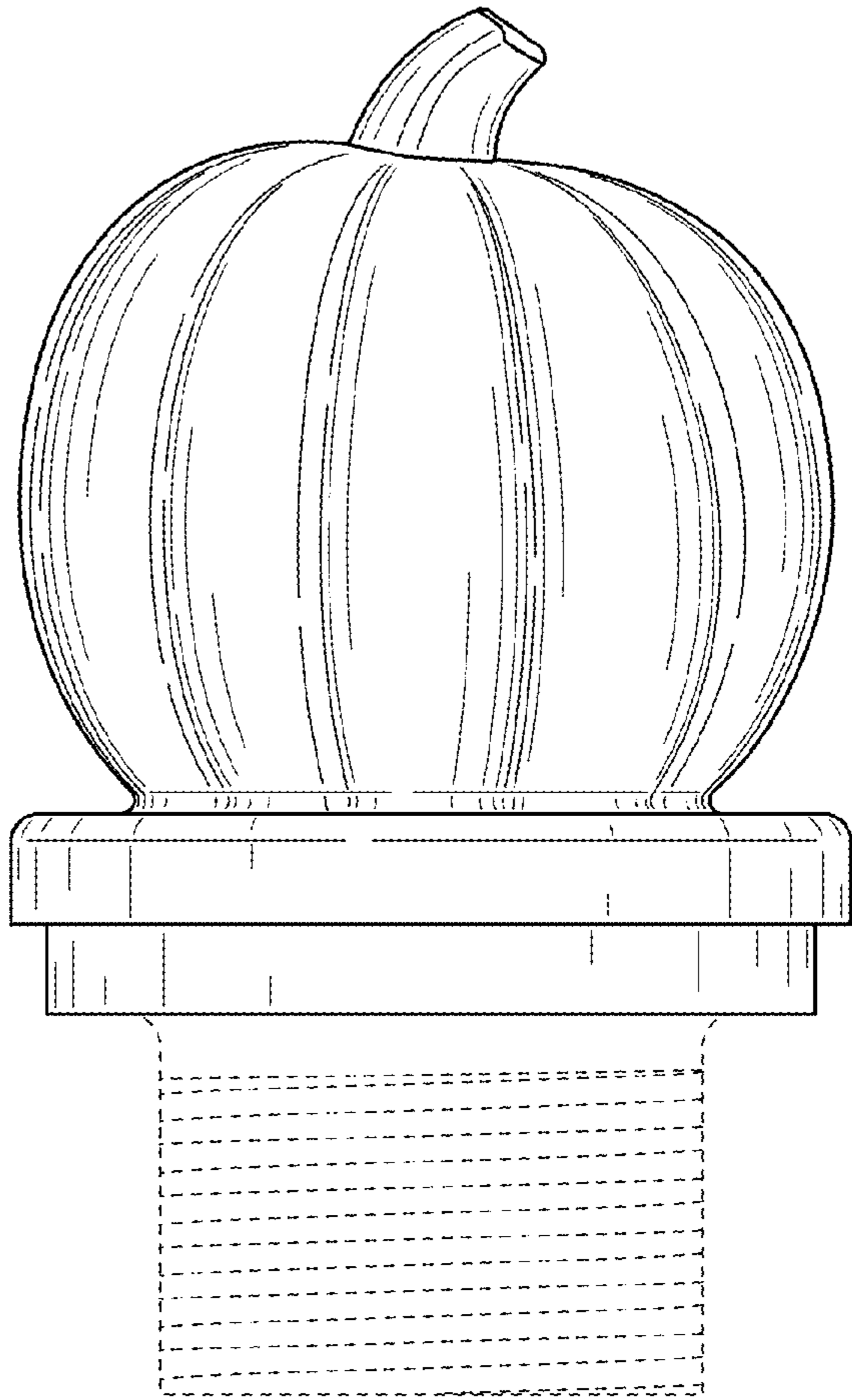


FIG. 24

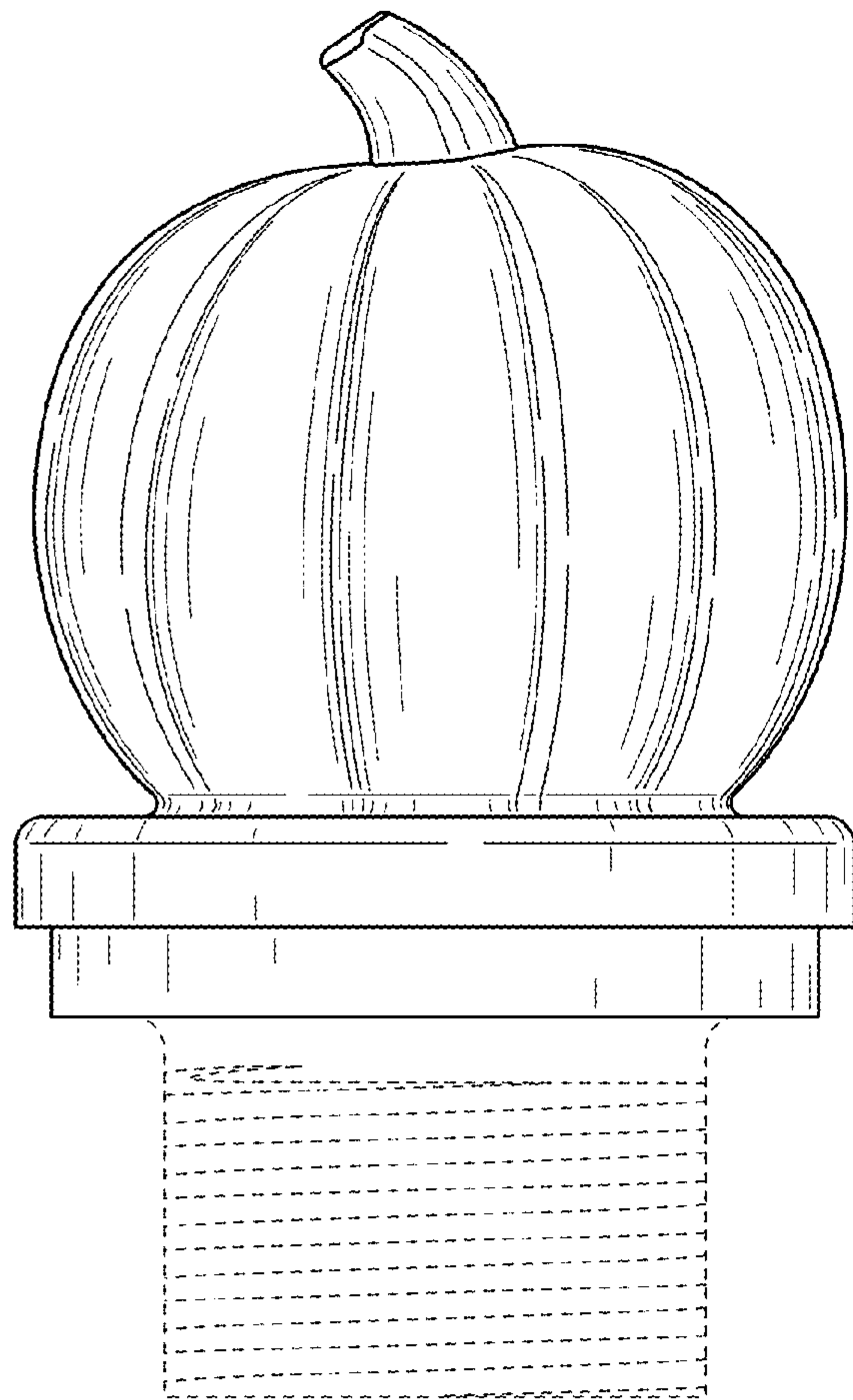


FIG. 25

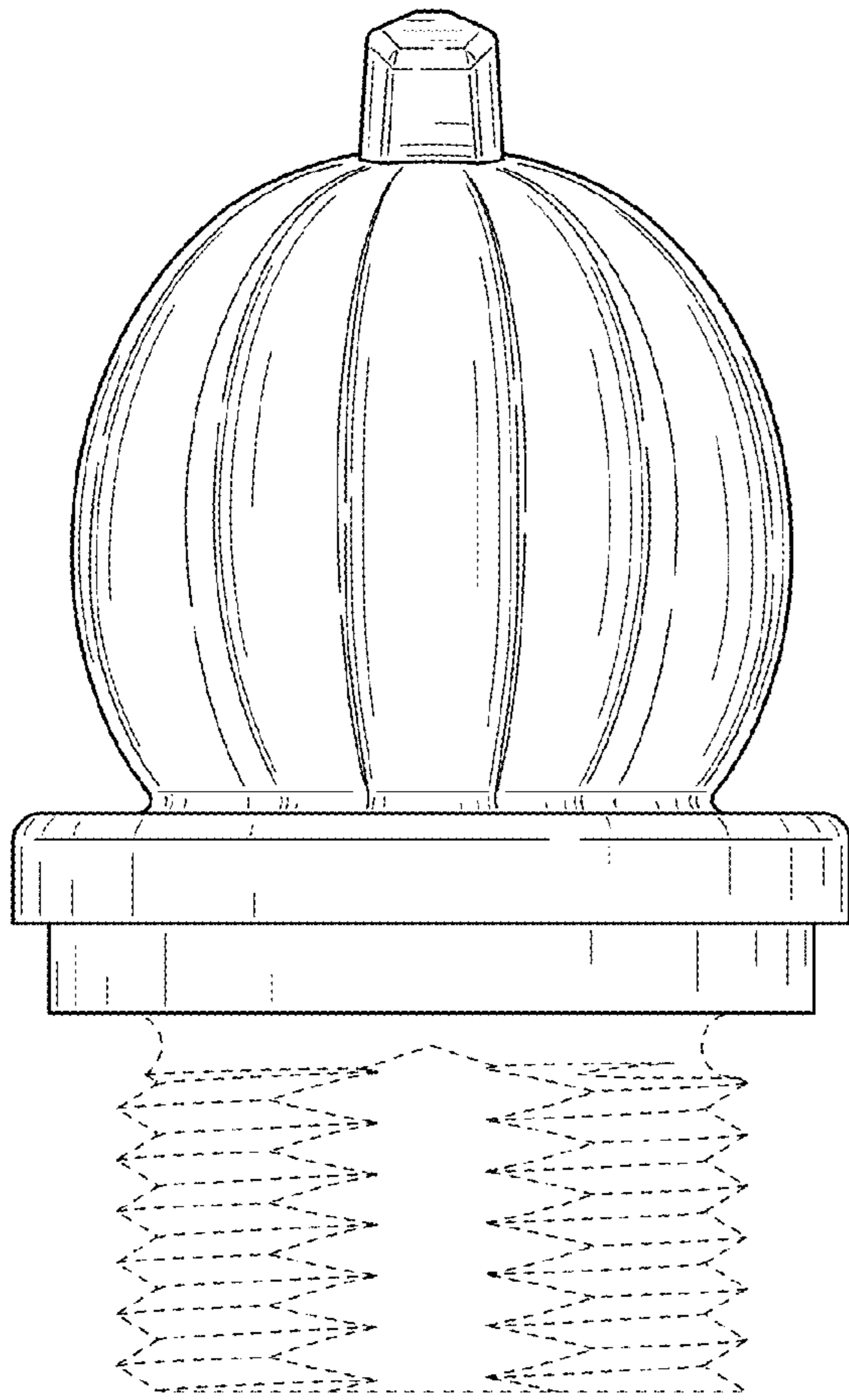


FIG. 26

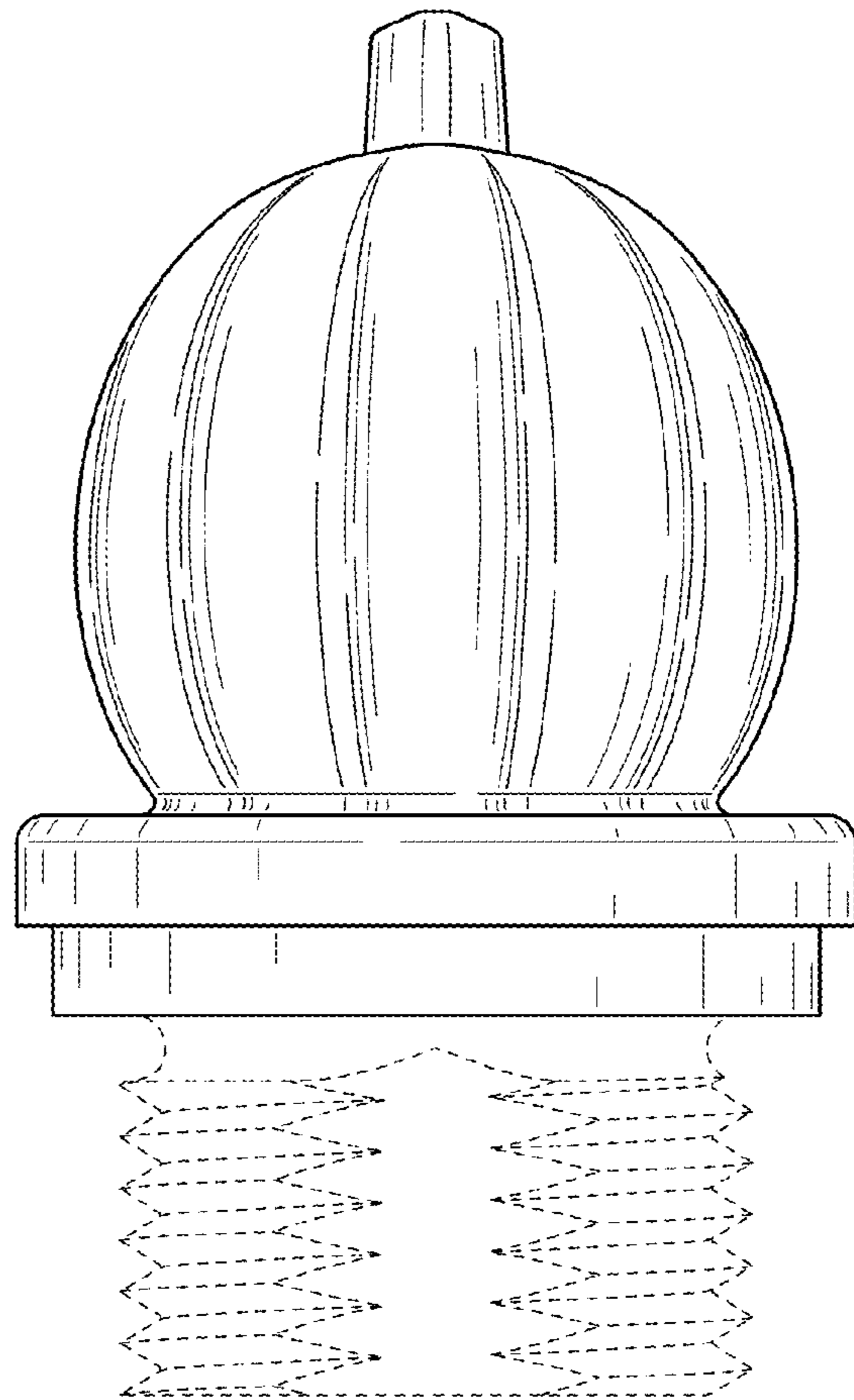


FIG. 27

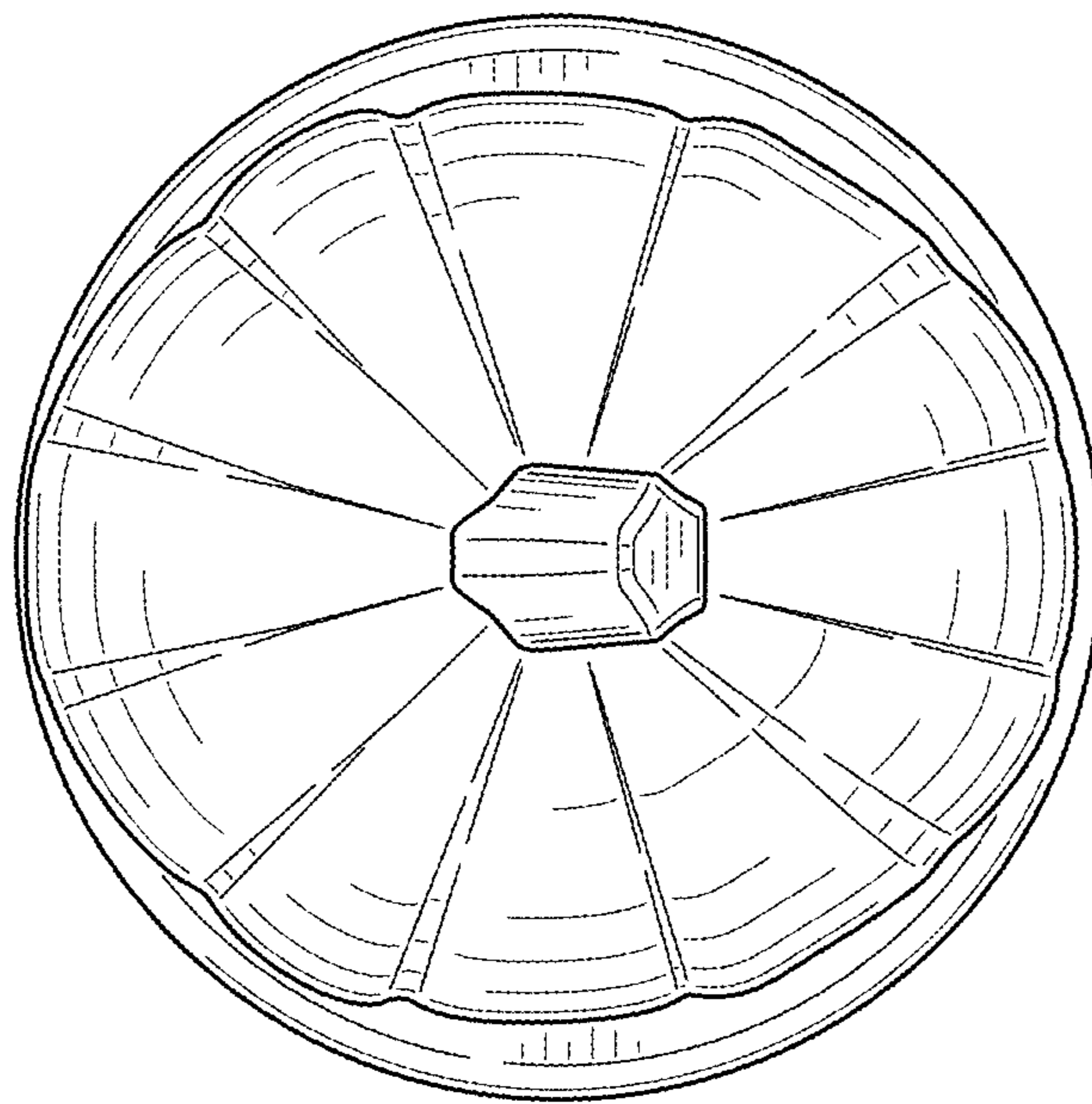


FIG. 28

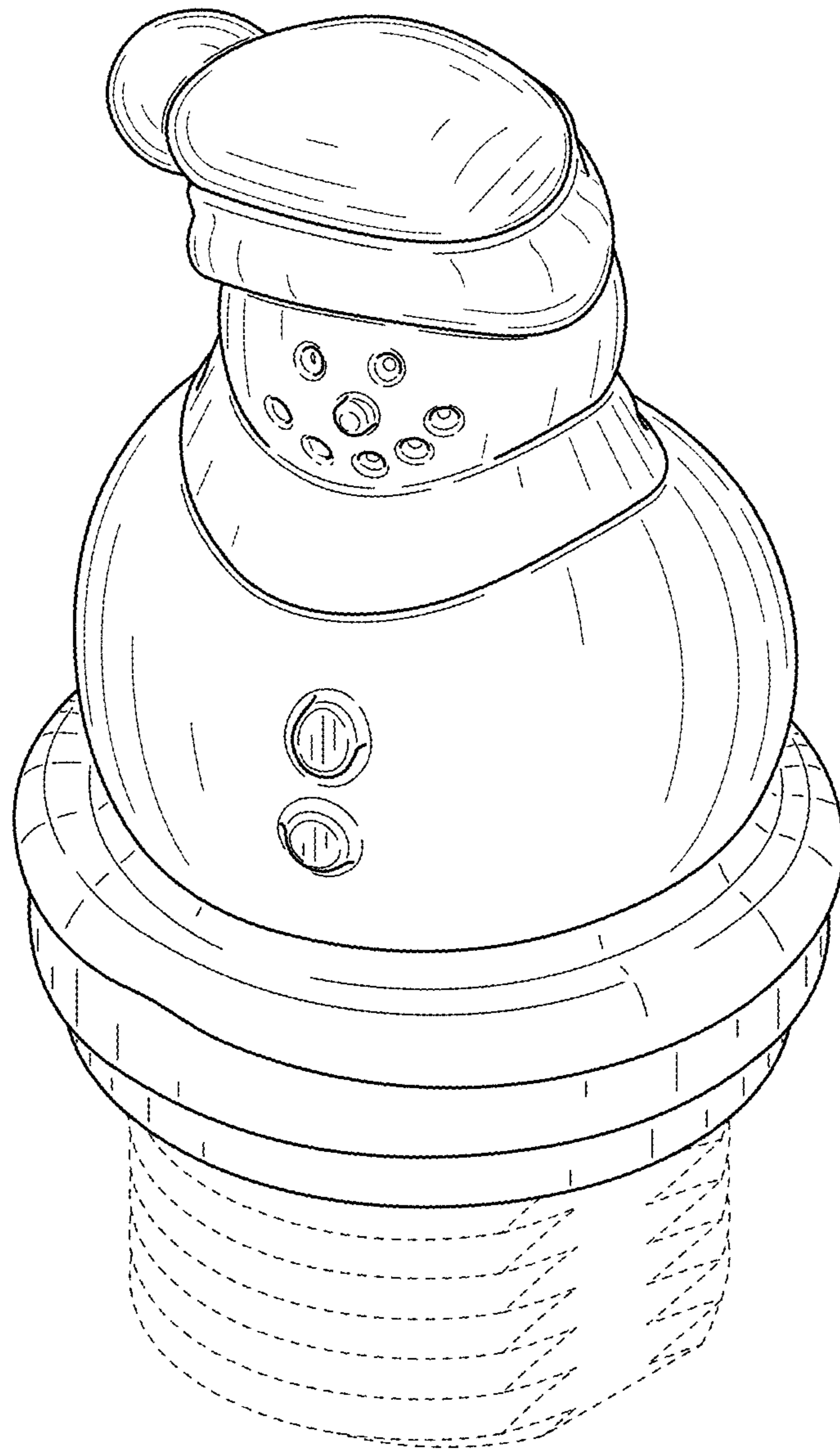


FIG. 29

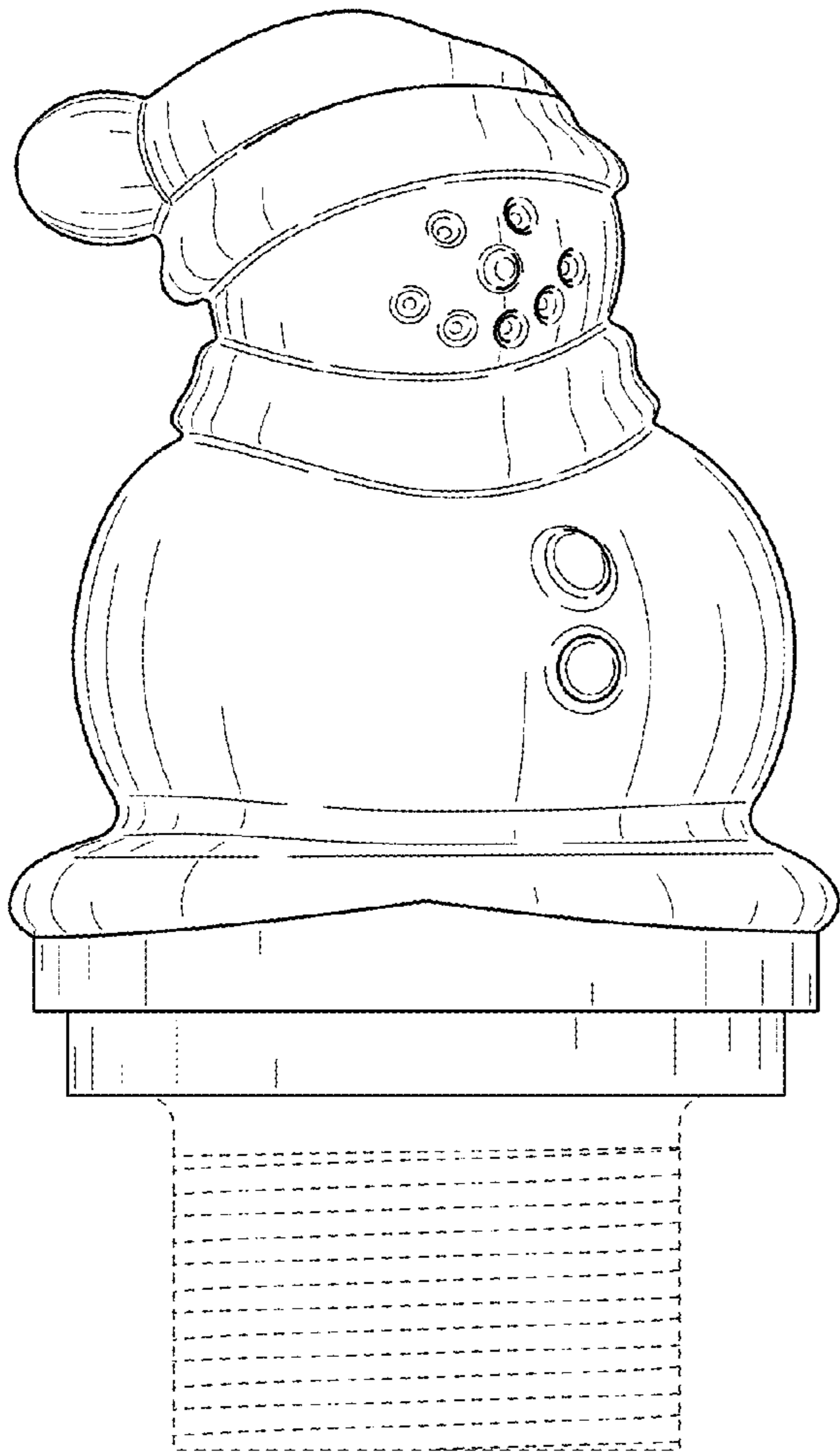


FIG. 30

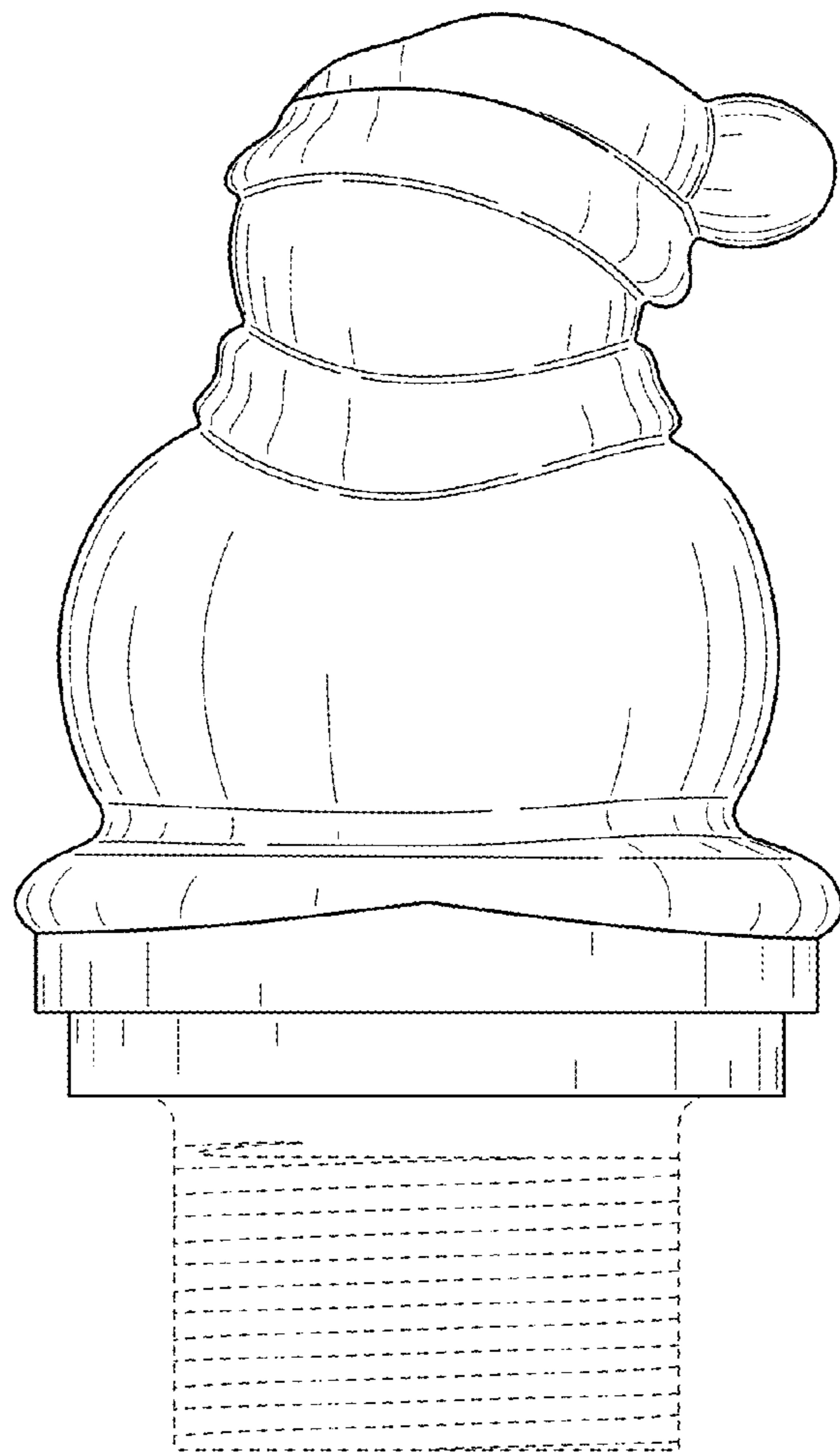


FIG. 31

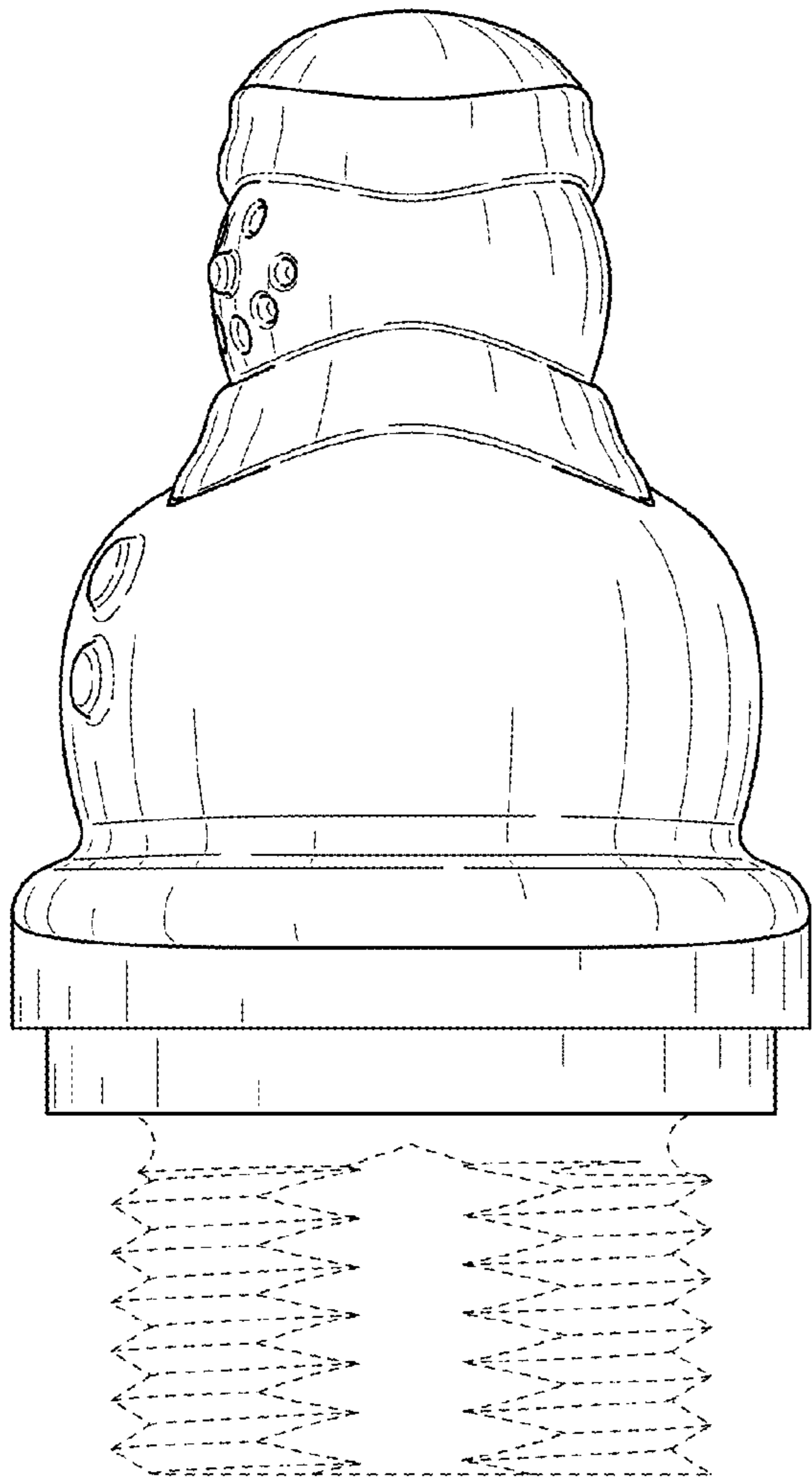


FIG. 32

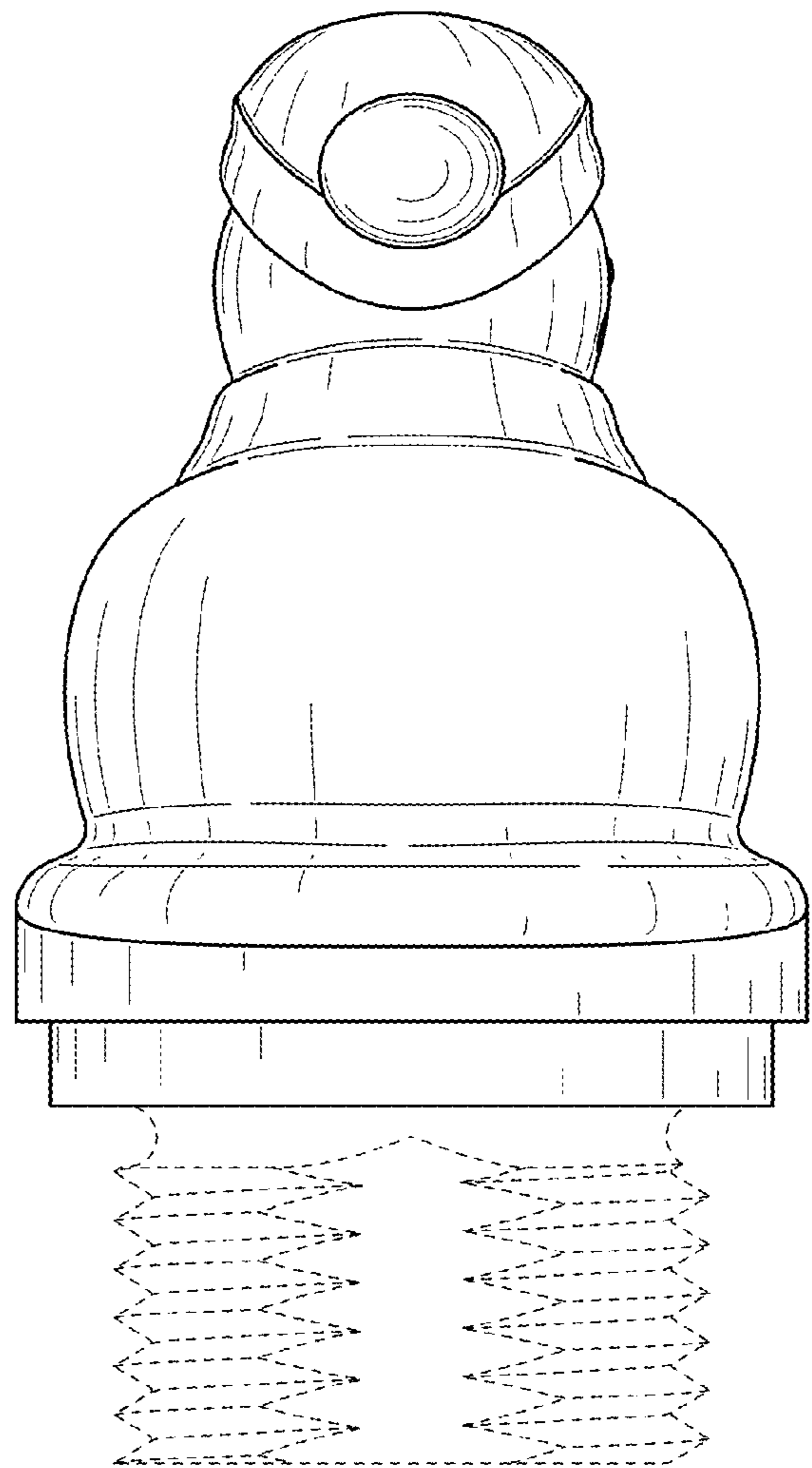


FIG. 33

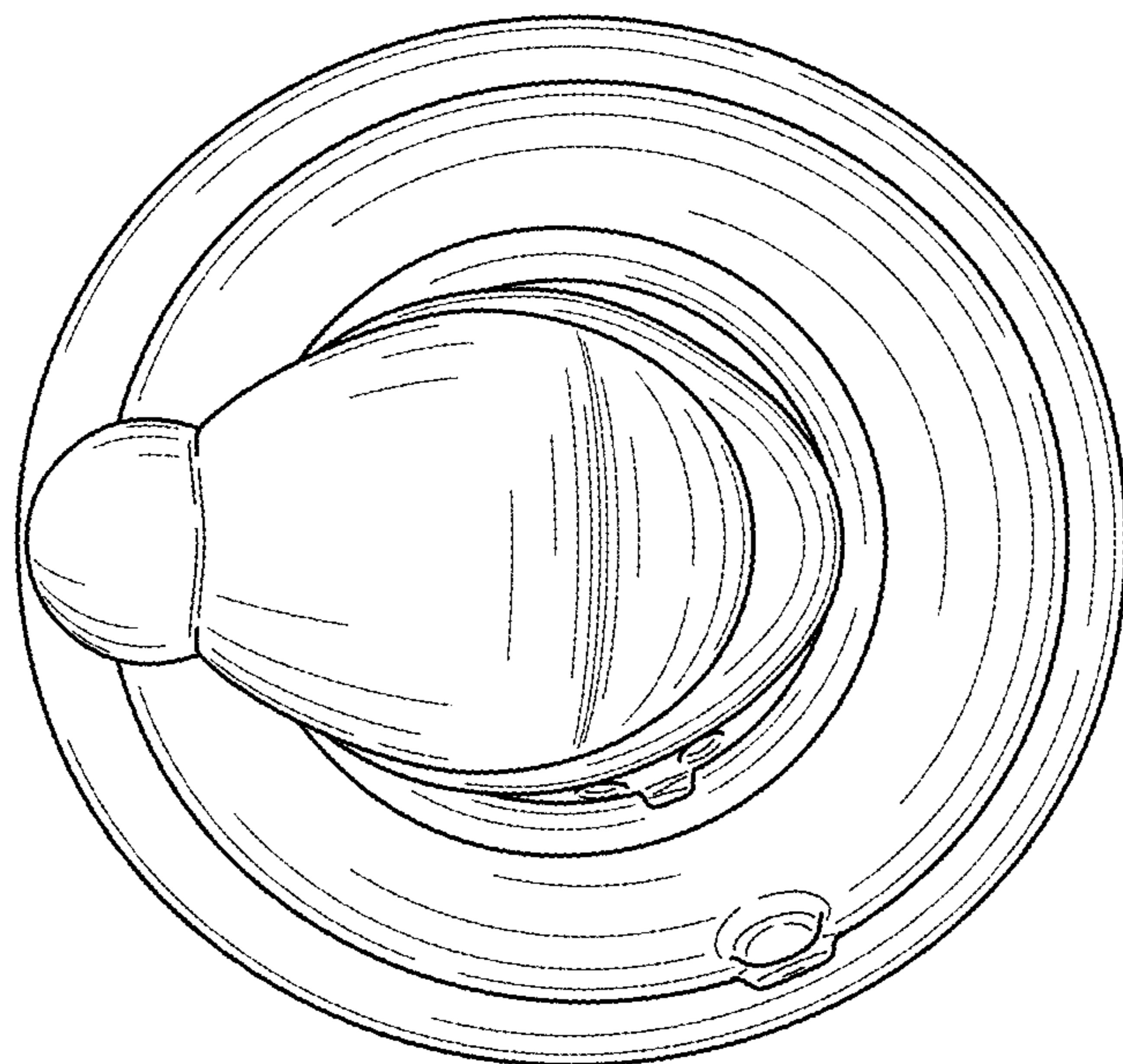


FIG. 34