



US00D909828S

(12) **United States Design Patent** (10) **Patent No.:** **US D909,828 S**
Brouillac (45) **Date of Patent:** **** Feb. 9, 2021**

(54) **PEPPER MILL**

43/06; A47J 43/25; A47J 43/255; A24C
5/40; B02C 18/08; B02C 18/24; B02C
18/16

(71) Applicant: **PEUGEOT SAVEURS**, Quingey (FR)

See application file for complete search history.

(72) Inventor: **Nicolas Brouillac**, Saint-Vit (FR)

(56) **References Cited**

(73) Assignee: **PEUGEOT SAVEURS**, Quingey (FR)

U.S. PATENT DOCUMENTS

(**) Term: **15 Years**

3,136,457 A * 6/1964 Via, Sr. A47G 19/24
222/476

(21) Appl. No.: **35/507,895**

D530,993 S * 10/2006 Kolflat A47J 42/06
D7/679

(22) Filed: **Jul. 30, 2019**

D830,138 S * 10/2018 Zhang D7/679
2004/0065213 A1 * 4/2004 Cheng A47J 42/06
99/510

(80) **Hague Agreement Data**

* cited by examiner

Int. Filing Date: **Jul. 30, 2019**

Primary Examiner — Robert M. Spear

Int. Reg. No.: **DM/204313**

(74) *Attorney, Agent, or Firm* — Craft Chu PLLC;

Int. Reg. Date: **Jul. 30, 2019**

Andrew W. Chu

Int. Reg. Pub. Date: **Nov. 29, 2019**

(51) **LOC (13) Cl.** **07-04**

(57) **CLAIM**

The ornamental design for a pepper mill, as shown and described.

(52) **U.S. Cl.**

DESCRIPTION

USPC **D7/679**

(58) **Field of Classification Search**

USPC D7/679, 372, 373, 374; D9/500, 503,
D9/504

CPC ... A21C 1/04; A47J 42/34; A47J 42/00; A47J
42/04; A47J 42/14; A47J 42/18; A47J
42/24; A47J 42/42; A47J 42/46; A47J
42/06; A47J 42/08; A47J 42/40; A47J
43/04; A47J 43/044; A47J 43/0722; A47J

1. Pepper mill

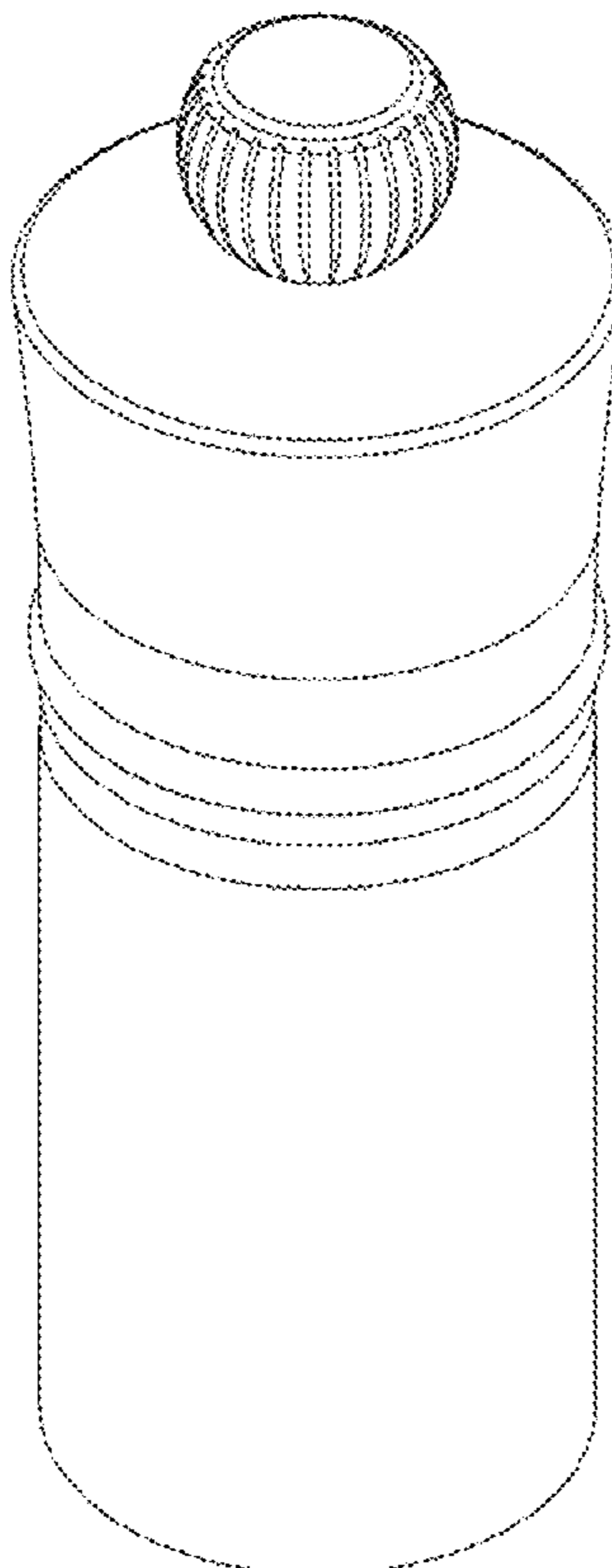
1.1 is bottom plan view of a pepper mill showing my new design;

1.2 is a top front perspective view thereof;

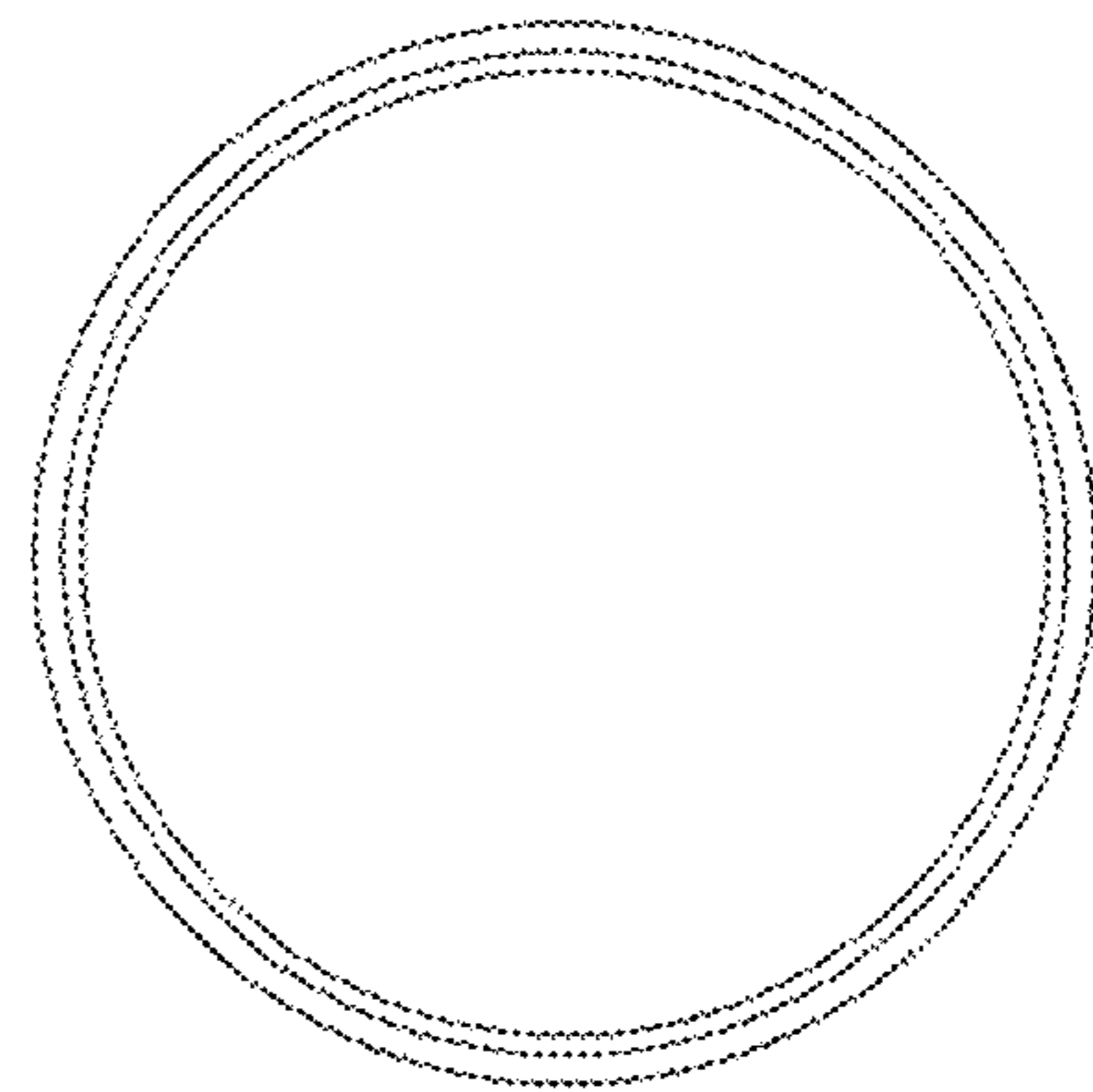
1.3 is a front elevational view thereof; and

1.4 is a top plan view thereof.

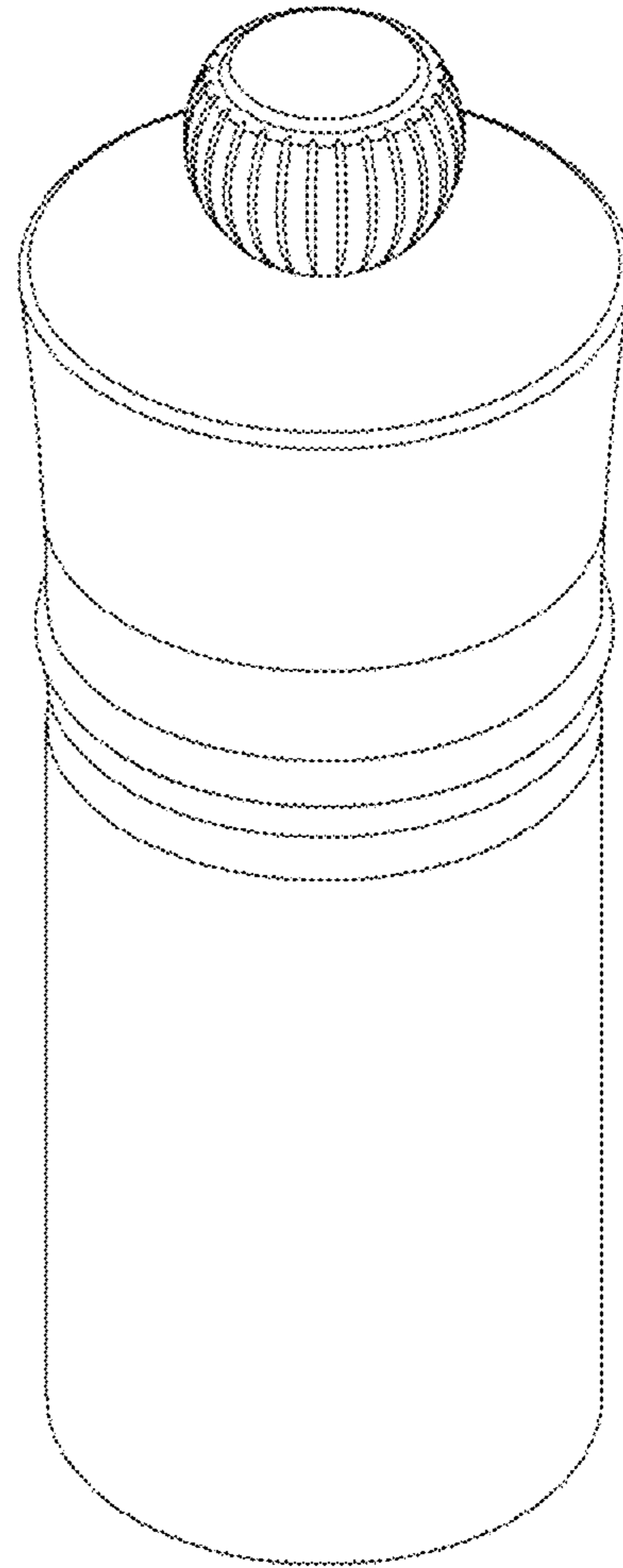
1 Claim, 4 Drawing Sheets



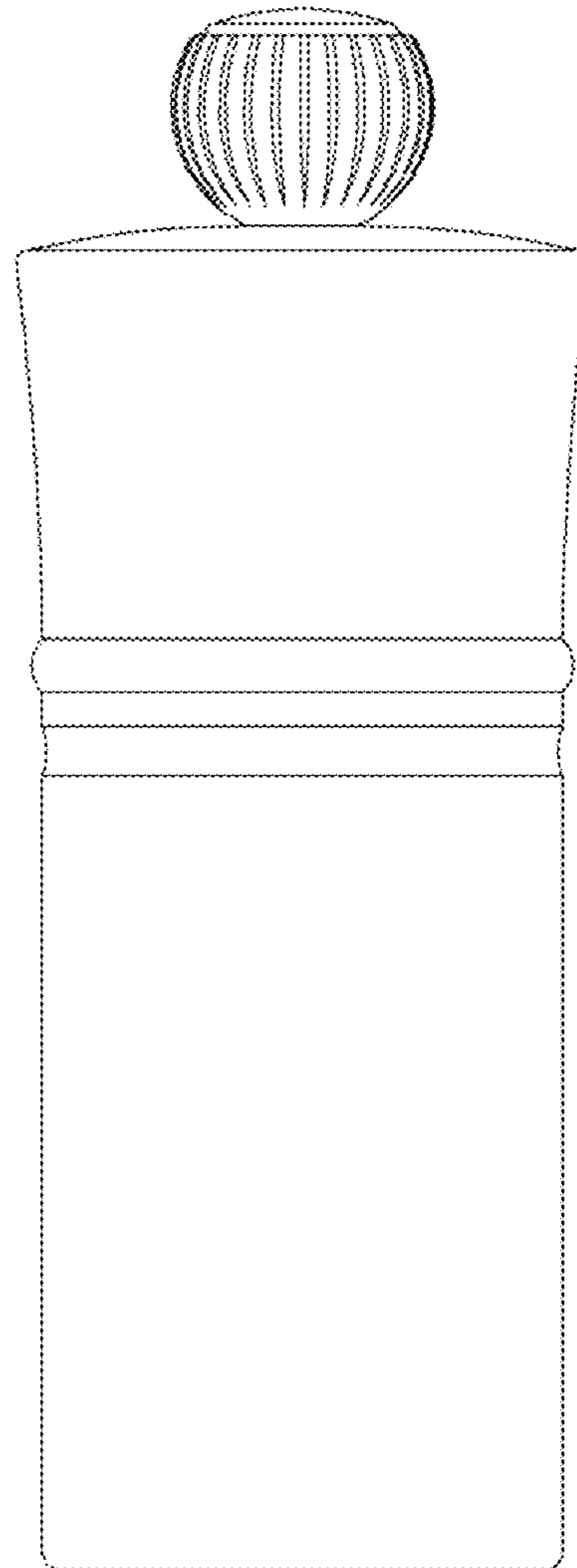
1.1



1.2



1.3



1.4

