



US00D909825S

(12) **United States Design Patent** (10) **Patent No.:** **US D909,825 S**
Burger et al. (45) **Date of Patent:** **** Feb. 9, 2021**

(54) **DIE**

FOREIGN PATENT DOCUMENTS

(71) Applicant: **LAND O'LAKES, INC.**, Arden Hills, MN (US)

CN 301699053 * 10/2011
FR 2690310 A1 10/1993

(Continued)

(72) Inventors: **Joseph V. Burger**, Apple Valley, MN (US); **Jonathan Anderson**, Minneapolis, MN (US); **Sharon K. Cody**, Maple Grove, MN (US); **Lisa Ryan**, Lakeville, MN (US)

OTHER PUBLICATIONS

Extruder, Oct. 6, 2011, Marjon Ceramics, www.marjonceramics.com/pages/Product/EXTRUDERS.html (Year: 2011).*

(Continued)

(73) Assignee: **LAND O'LAKES, INC.**, Arden Hills, MN (US)

Primary Examiner — Brett Miller

(**) Term: **15 Years**

(74) *Attorney, Agent, or Firm* — Dorsey & Whitney LLP

(21) Appl. No.: **29/660,700**

(57) **CLAIM**

The ornamental design for a die, as shown and described.

(22) Filed: **Aug. 22, 2018**

DESCRIPTION

(51) **LOC (13) Cl.** **07-04**

(52) **U.S. Cl.**
USPC **D7/672; D15/136**

(58) **Field of Classification Search**
USPC **D7/672-677, 669; D15/135-137; D1/100-125**

CPC **A23P 30/20; A23P 30/25; A01J 21/02; A23G 1/0056; A23G 3/0021**

See application file for complete search history.

FIG. 1 is an illustration of a first isometric view of a die; FIG. 2 is an illustration of a second isometric view of the die of FIG. 1;

FIG. 3 is an illustration of a top view of the die of FIG. 1; FIG. 4 is an illustration of a bottom view of the die of FIG. 1;

FIG. 5 is an illustration of a left side view of the die of FIG. 1, with the right side of the die being a mirror image thereof; FIG. 6 is an illustration of a cross-section view of the die taken along line 6-6 in FIG. 4; and,

FIG. 7 is an illustration of a cross-section view of the die taken along line 7-7 in FIG. 4.

The unshaded areas shown bounded by evenly-dashed broken lines in the drawings illustrate the portions of the die that form no part of the claim. The dot-dash broken lines on the die define the bounds of the claim and form no part thereof. Any portion of the article between those breaks forms no part of the claimed design.

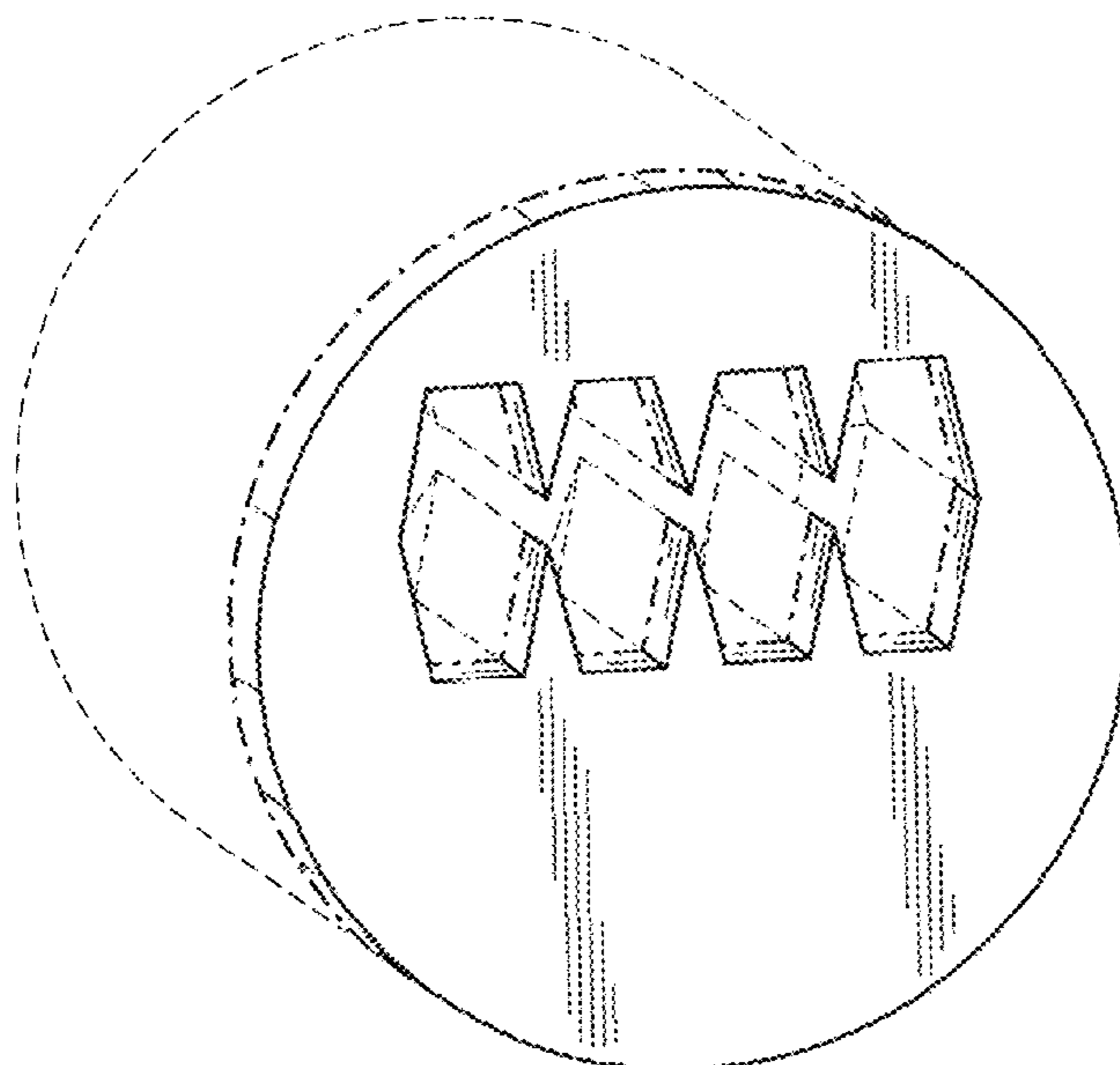
(56) **References Cited**

U.S. PATENT DOCUMENTS

44,342 A	9/1864	Sawyer
147,877 A	2/1874	Spratt
547,721 A	10/1895	Hazel
1,807,458 A	5/1931	Weland
1,855,145 A	4/1932	Bartlett
1,855,987 A	4/1932	Rammer
D99,590 S	5/1936	Torongo
D103,190 S	2/1937	Stanley

(Continued)

1 Claim, 4 Drawing Sheets



(56)

References Cited

U.S. PATENT DOCUMENTS

D127,285 S 5/1941 Siemund
 D131,278 S 2/1942 Voorhis
 2,481,691 A 9/1949 Schaub
 3,017,275 A 1/1962 Coulter
 D206,036 S 10/1966 Meeker
 D206,429 S 12/1966 Eckelman et al.
 3,324,551 A 6/1967 Reinhold et al.
 3,410,699 A 11/1968 Leo
 D213,074 S 12/1968 Griffith et al.
 D224,077 S 7/1972 Duvall
 D239,215 S 3/1976 Miller
 3,976,796 A 8/1976 Peters
 4,215,104 A 7/1980 David et al.
 4,353,887 A 10/1982 Hess et al.
 D310,130 S 8/1990 van Kooten
 D320,494 S 10/1991 Cederroth et al.
 D330,149 S * 10/1992 Weimer D7/672
 5,312,197 A 5/1994 Abramson
 D361,077 S 8/1995 Jamison
 D372,486 S * 8/1996 Morris D15/136
 D375,181 S 11/1996 Tourney et al.
 5,776,533 A 7/1998 Okamoto et al.
 5,855,937 A 1/1999 Okamoto et al.
 D411,111 S 6/1999 Damion et al.
 D485,942 S 1/2004 Mcleish
 D506,587 S 6/2005 Armaly
 D540,182 S 4/2007 Weaver
 D551,825 S 9/2007 Nutting et al.
 D639,929 S 6/2011 Barford
 D659,470 S * 5/2012 Narwankar D7/412
 D666,286 S 8/2012 Chery
 D742,497 S 11/2015 D'Amico et al.
 D748,770 S 2/2016 Hanna
 D749,203 S 2/2016 Amico et al.
 D760,886 S 7/2016 Peterson et al.
 D762,294 S 7/2016 Hanna
 D785,466 S 5/2017 Son et al.
 D792,193 S * 7/2017 Ullbors D8/354
 D793,868 S 8/2017 Kim et al.
 D801,623 S 11/2017 Wang
 D813,321 S 3/2018 Zaki
 D814,727 S 4/2018 Wehrlie
 D845,089 S * 4/2019 Williams D7/672
 D866,623 S * 11/2019 Fenske B23D 15/14
 D869,116 S 12/2019 Burger et al.
 D869,117 S 12/2019 Cody et al.
 D871,016 S 12/2019 Burger et al.
 2003/0017248 A1 1/2003 Gray
 2003/0126831 A1 7/2003 Altvater et al.
 2005/0123663 A1 6/2005 White et al.
 2009/0190866 A1 7/2009 Hughes
 2012/0024887 A1 2/2012 Heinze

2012/0040078 A1* 2/2012 Narwankar A23L 7/109
 426/618
 2012/0294663 A1 11/2012 Papavero et al.
 2015/0320072 A1 11/2015 Bufton et al.
 2017/0238572 A1 8/2017 Danenberg et al.
 2020/0060218 A1 2/2020 Burger et al.

FOREIGN PATENT DOCUMENTS

GB 190609218 A 6/1907
 GB 514618 A 11/1939
 WO 2013190265 A1 12/2013

OTHER PUBLICATIONS

North Star Dies, Apr. 1, 2013, Clay King, www.clay-king.com/clay_extruders/north_star_dies.html (Year: 2013).
 Dies, Oct. 29, 2013, Cleextral, www.cleextral.com/technologies-and-lines/equipment/the-die/ (Year: 2013).
 PCT, "International Search Report and Written Opinion", App. No. PCT/US2019/047534, dated Dec. 23, 2019, 10 pages.
 Adekola, Kehinde A., "Influence of Food Extruder Die Dimensions on Extruded Products Expansion", Journal of Advances in Agricultural Science and Technology; <<http://watchpub.org/jaast/issues/2014/october/pdf/Adekola.pdf>>, Oct. 29, 2014, pp. 052-058.
 Japan, "Butter Stick", accessed Jun. 28, 2018, 1 page.
 Krause, A. J. et al., "The Effect of Refrigerated and Frozen Storage on Butter Flavor and Texture", J. Dairy Sci. vol. 91 No. 2, 2008, pp. 455-465.
 Quora, "What is the Standard Weight of a Stick of Butter in the United States?", <<https://www.quora.com/What-is-the-standard-weight-of-a-stick-of-butter-in-the-United-States>>, Jun. 11, 2012, 4 pages.
 SPX, "Cold Extrusion of Butter", Gerstenberg Schroder; <http://www.spxflow.com/en/assets/pdf/GS_cold_extrusion_of_butter_07_12_gb.pdf>, Jul. 2012, 2 pages.
 BOC—A Member of the Linde GRP, "Beacuse we love good food. Frezihng and cooling technology for the food industry.", <https://www.boc-gas.com.au/en/images/BOC%20Freezing%20and%20Cooling%20brochure_tcm351-68091.pdf>, 2011, 8 pages.
 Fennema, O., "Cryogenic Freezing of Foods", University of Wisconsin at Madison, Madison, Wisconsin; Plenum Press; Retrieved from Internet URL: <https://link.springer.com/content/pdf/10.1007/978-1-4613-4039-3_89.pdf>, 1978, 9 pages.
 Nahid, et al., "Modelling the Freezing of Butter", International Journal of Refrigeration vol. 31, Issue 1, Retrieved from Internet URL: <<https://www.sciencedirect.com/science/article/pii/S0140700707001491>>, Jan. 2008, pp. 152-160.
 Rahman, M. S., "Handbook of Food Preservation", Second Edition; CRC Press; <http://www.cold.org.gr/library/downloads/Docs/Handbook%20of%20Food%20Preservation.pdf>, 2007, 33 pages.

* cited by examiner

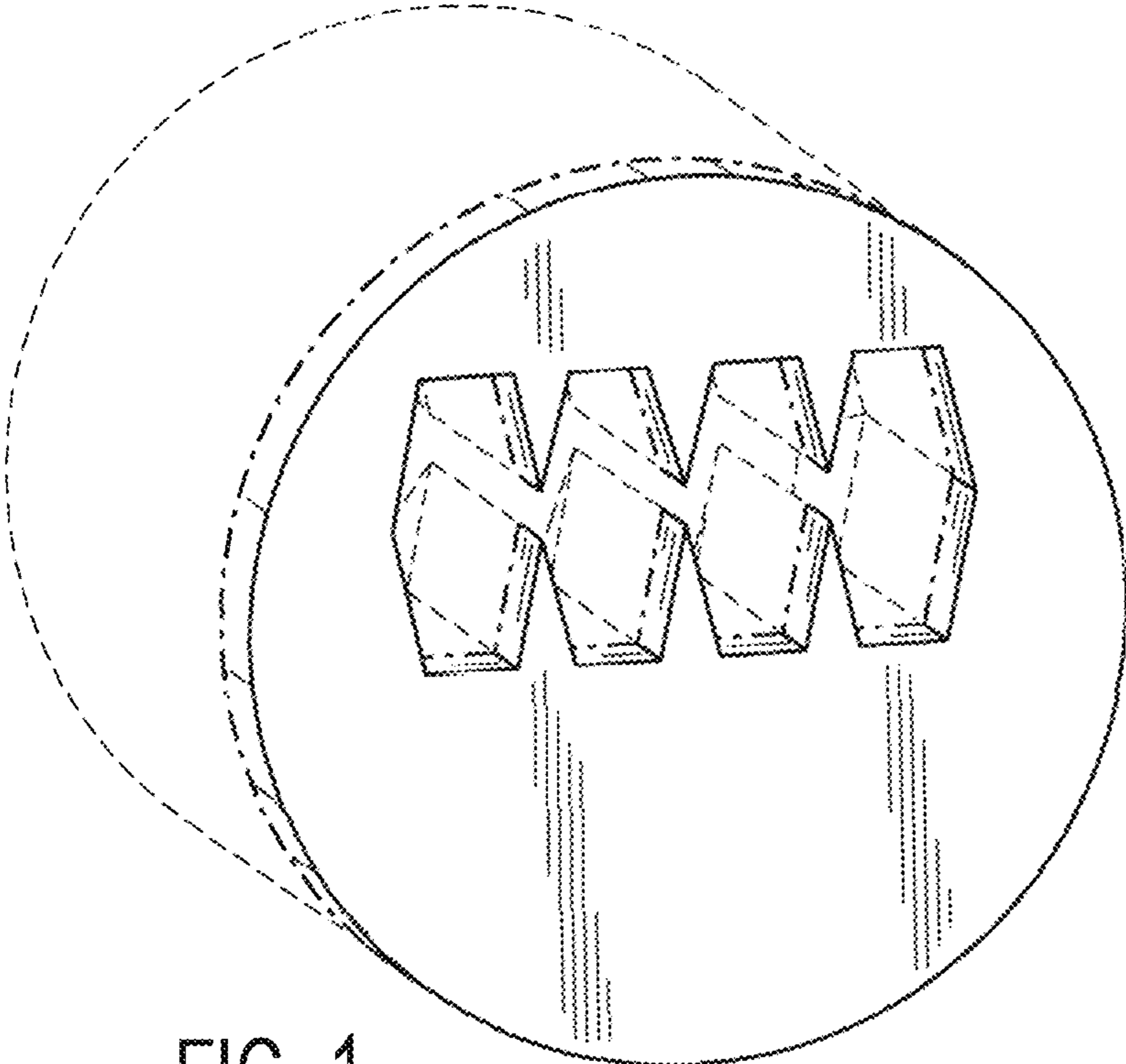


FIG. 1

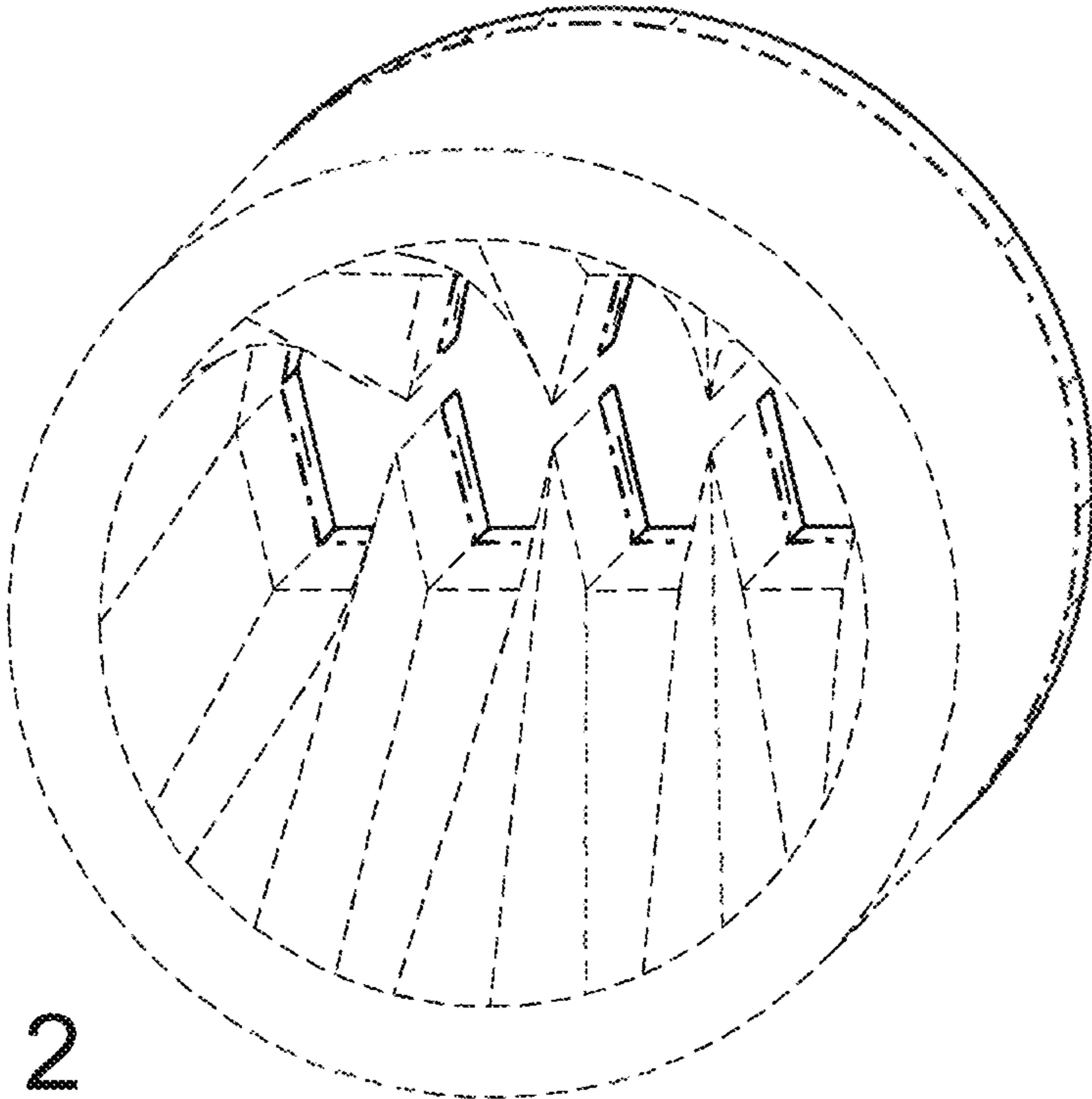


FIG. 2

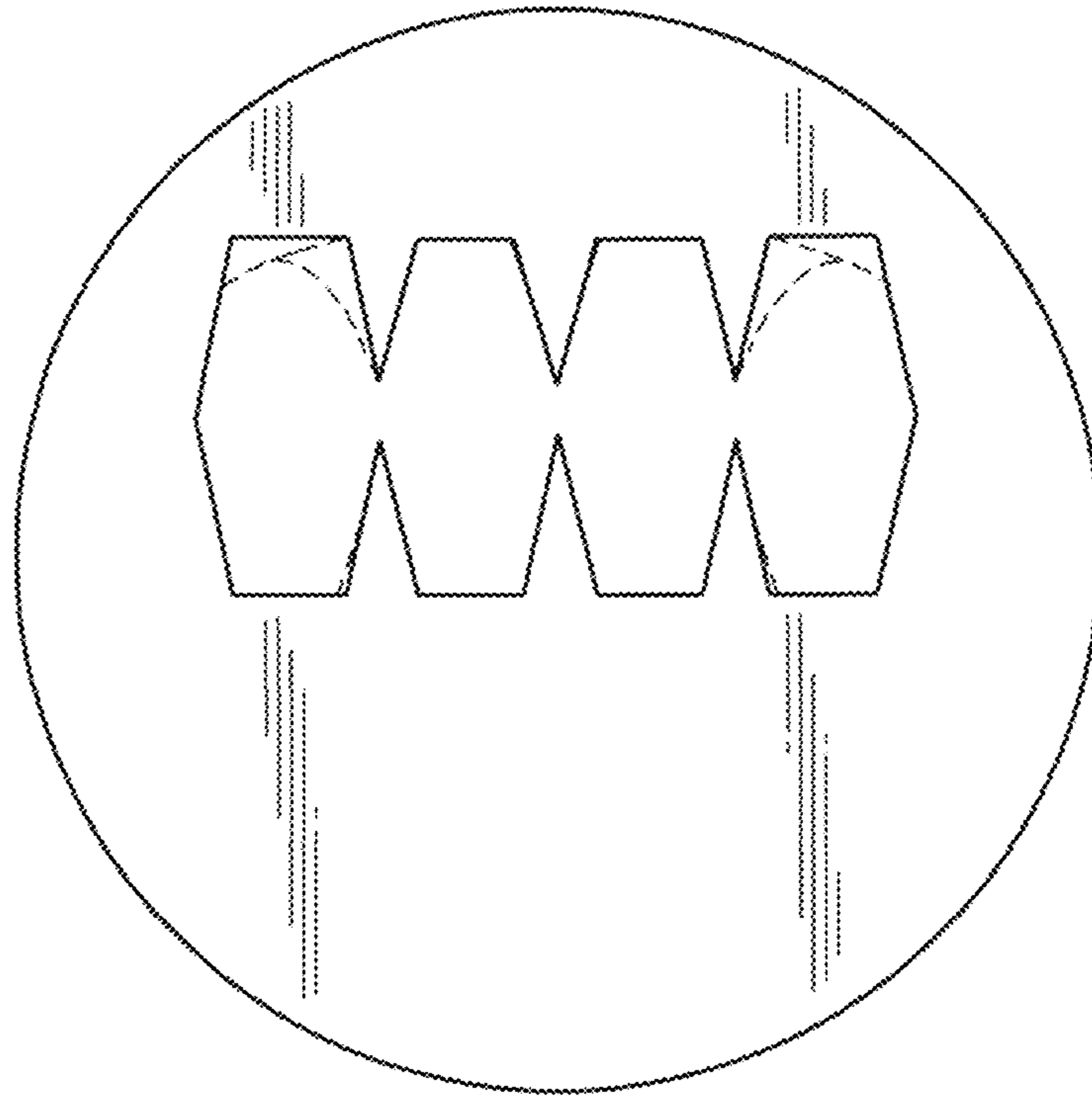


FIG. 3

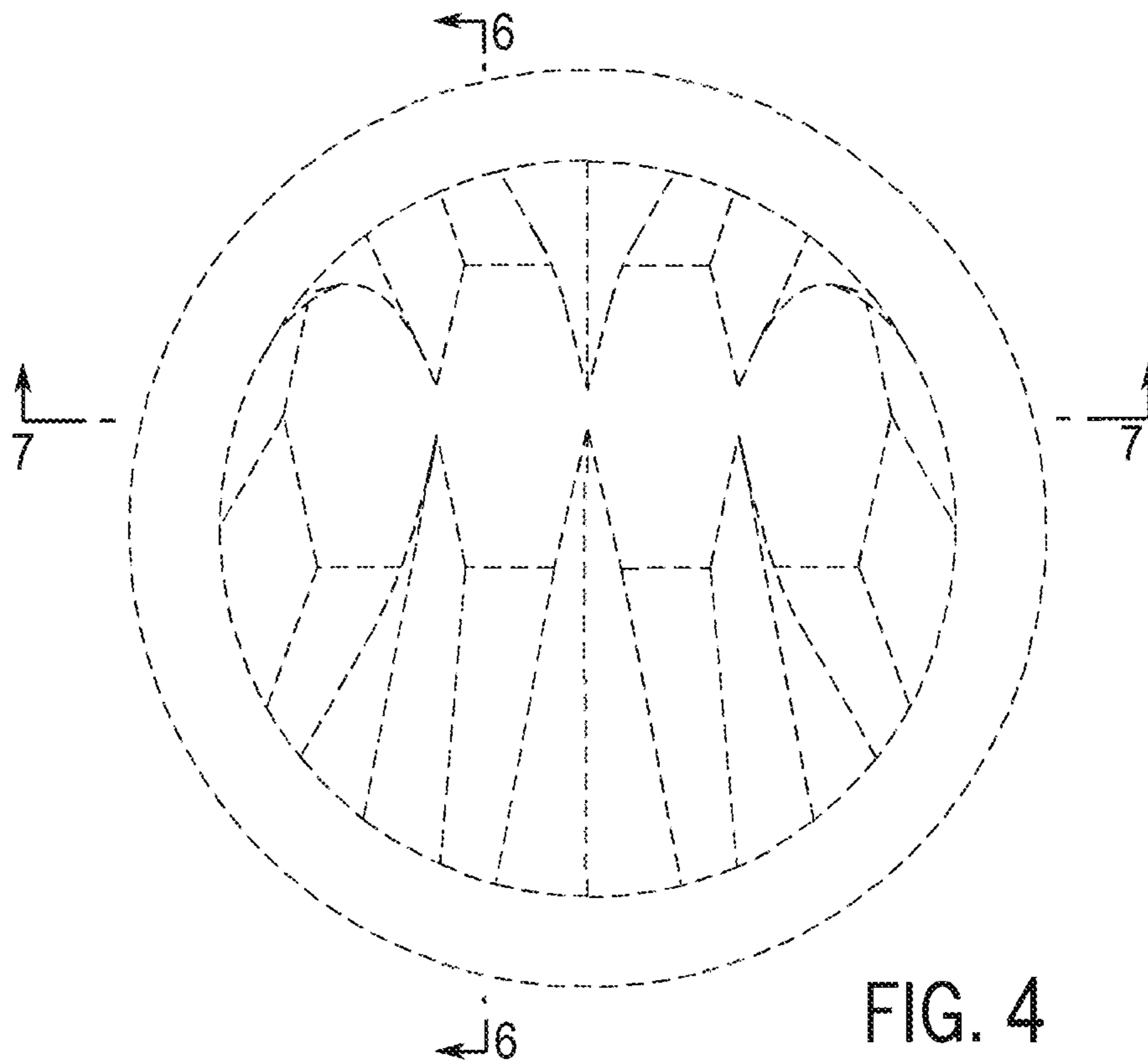


FIG. 4



FIG. 5

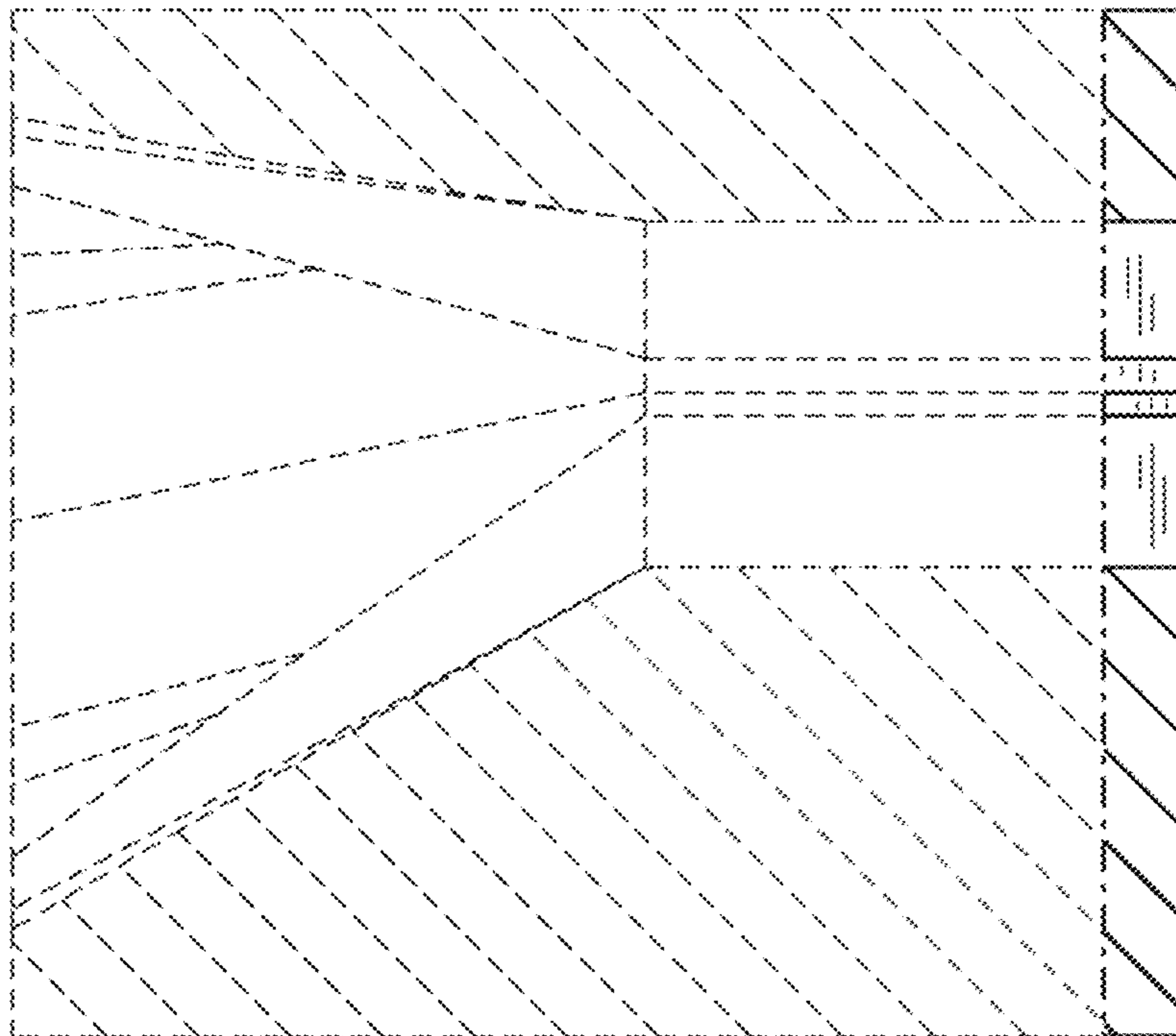


FIG. 6

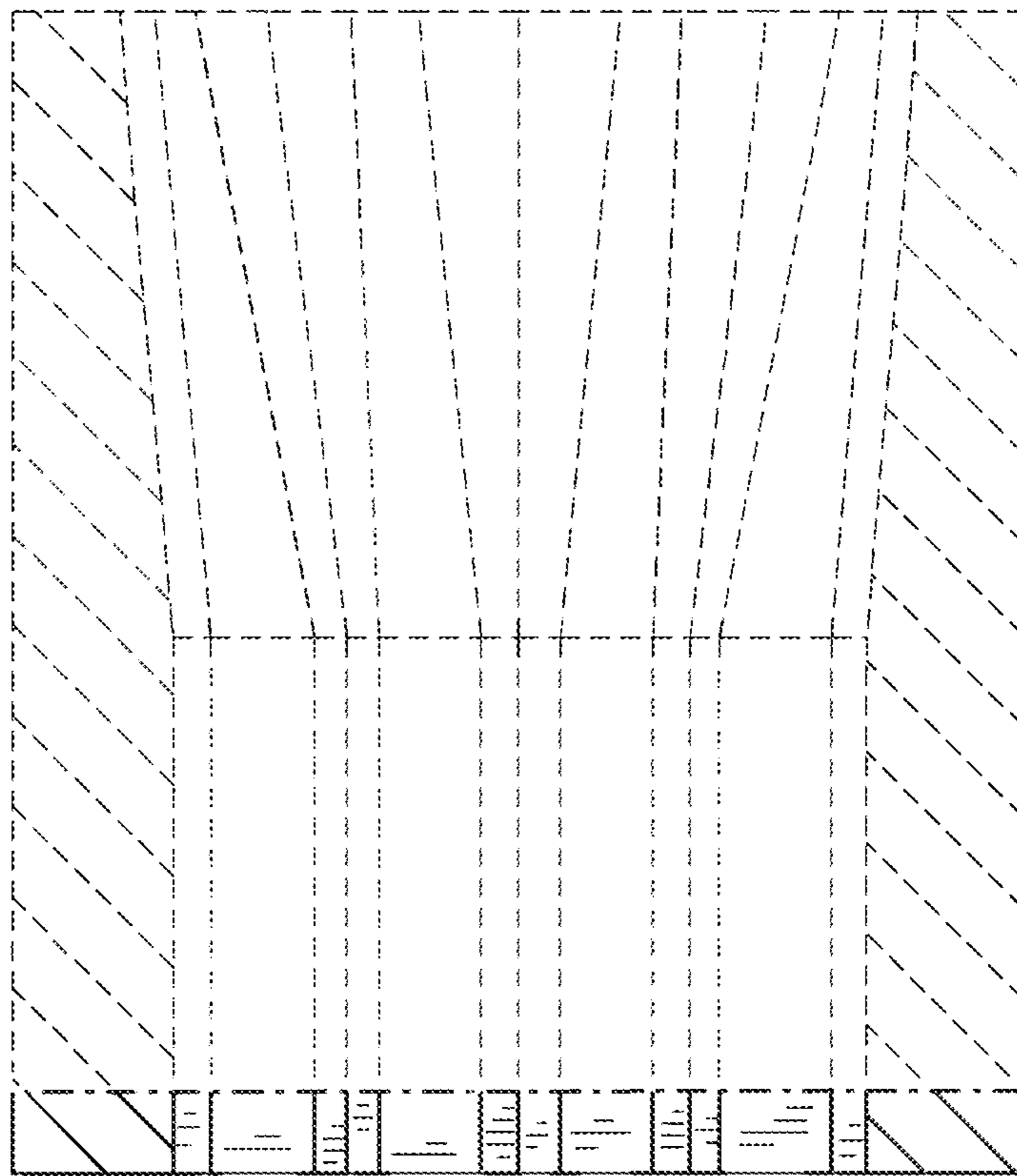


FIG. 7