



US00D909823S

(12) **United States Design Patent** (10) **Patent No.:** **US D909,823 S**
Lacotta et al. (45) **Date of Patent:** **** Feb. 9, 2021**

(54) **SPOON**
(71) Applicants: **Paul Lacotta**, Tenafly, NJ (US); **Lance Hazelton**, Maplewood, NJ (US); **Phillip Shook**, Brooklyn, NY (US)
(72) Inventors: **Paul Lacotta**, Tenafly, NJ (US); **Lance Hazelton**, Maplewood, NJ (US); **Phillip Shook**, Brooklyn, NY (US)
(73) Assignee: **Helen of Troy Limited**, St. Michael (BB)

D367,406 S * 2/1996 Ancona D7/691
D437,738 S * 2/2001 Durbin D7/647
D440,115 S * 4/2001 Kennedy, III D7/400
D495,216 S * 8/2004 Overthun D7/667
D536,934 S * 2/2007 Huber D7/653
8,689,453 B2 * 4/2014 Vogon A47J 43/281
30/325
D728,320 S * 5/2015 Davila D7/647
D753,965 S * 4/2016 Schuler D7/692
D818,313 S * 5/2018 Joseph D7/400
2005/0145733 A1 * 7/2005 Silver A47J 43/25
241/168
2009/0121062 A1 * 5/2009 Silver A47J 43/283
241/168

(**) Term: **15 Years**

(21) Appl. No.: **29/702,394**

(22) Filed: **Aug. 19, 2019**

(51) **LOC (13) Cl.** **07-03**

(52) **U.S. Cl.**
USPC **D7/653; D7/401.2**

(58) **Field of Classification Search**
USPC D7/368, 400, 401.2, 642-645, 647-648, D7/653-664, 667, 669, 675-677, 683, D7/688-689, 691, 692; D8/107, D8/300-301; D22/117-118
CPC ... A01D 9/02; A01D 9/04; A01D 9/06; A47G 21/00; A47G 21/004; A47G 21/005; A47G 21/02; A47G 21/023; A47G 21/04; A47G 21/06; A47G 21/08; A47J 43/25; A47J 43/28; A47J 43/281; A47J 43/282; A47J 43/283; A47J 43/284; A61F 13/10; A61J 7/0023; B25G 1/00; B25G 1/01; B25G 1/02; B25G 3/00; B65D 75/56; B65D 75/563; B65D 75/566; B67B 7/00; B67B 7/724; B67B 7/73
See application file for complete search history.

(56) **References Cited**

U.S. PATENT DOCUMENTS

D264,171 S * 5/1982 Velasco D7/647
D301,533 S * 6/1989 Zimmerman D7/647

OTHER PUBLICATIONS

OXO Good Grips 4-Piece Nylon Tool Set. Date First Available Feb. 6, 2012 on Amazon.com (<https://www.amazon.com/OXO-1127080-Grips-4-Piece-Nylon/dp/b007638GOQ/>). (Year: 2012).* <https://www.oxo.com/silicone-slotted-spoon.html>, publicly available prior to Aug. 19, 2019.

* cited by examiner

Primary Examiner — Ricky Pham
(74) *Attorney, Agent, or Firm* — Rankin, Hill & Clark LLP

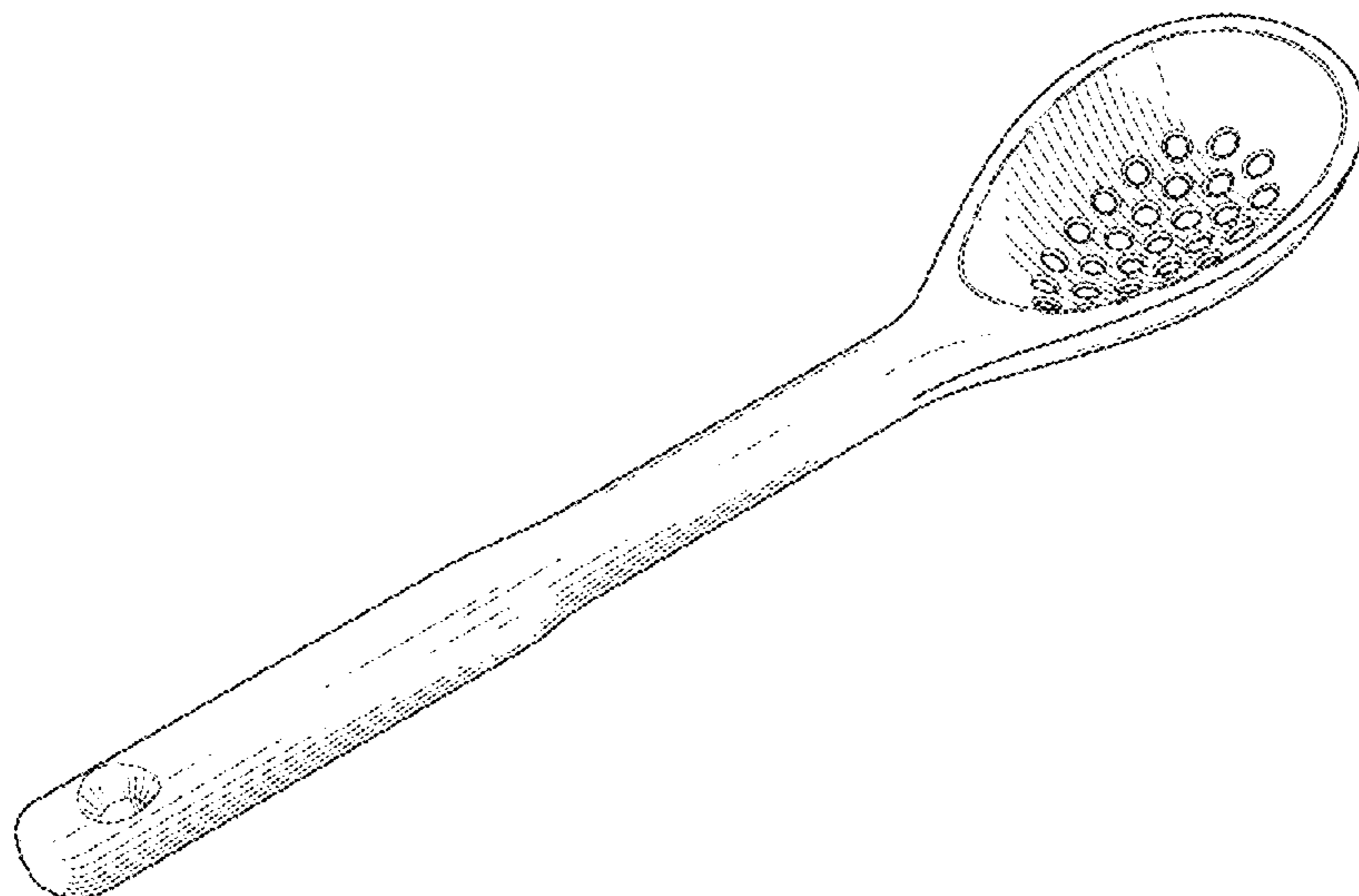
(57) **CLAIM**

The ornamental design for a spoon, as shown, and described.

DESCRIPTION

FIG. 1 is a perspective view of a spoon;
FIG. 2 is a front view thereof;
FIG. 3 is a rear view thereof;
FIG. 4 is a right elevation view thereof, the left elevation view being a mirror image thereof;
FIG. 5 is a top plan view thereof; and,
FIG. 6 is a bottom plan view thereof.

1 Claim, 6 Drawing Sheets



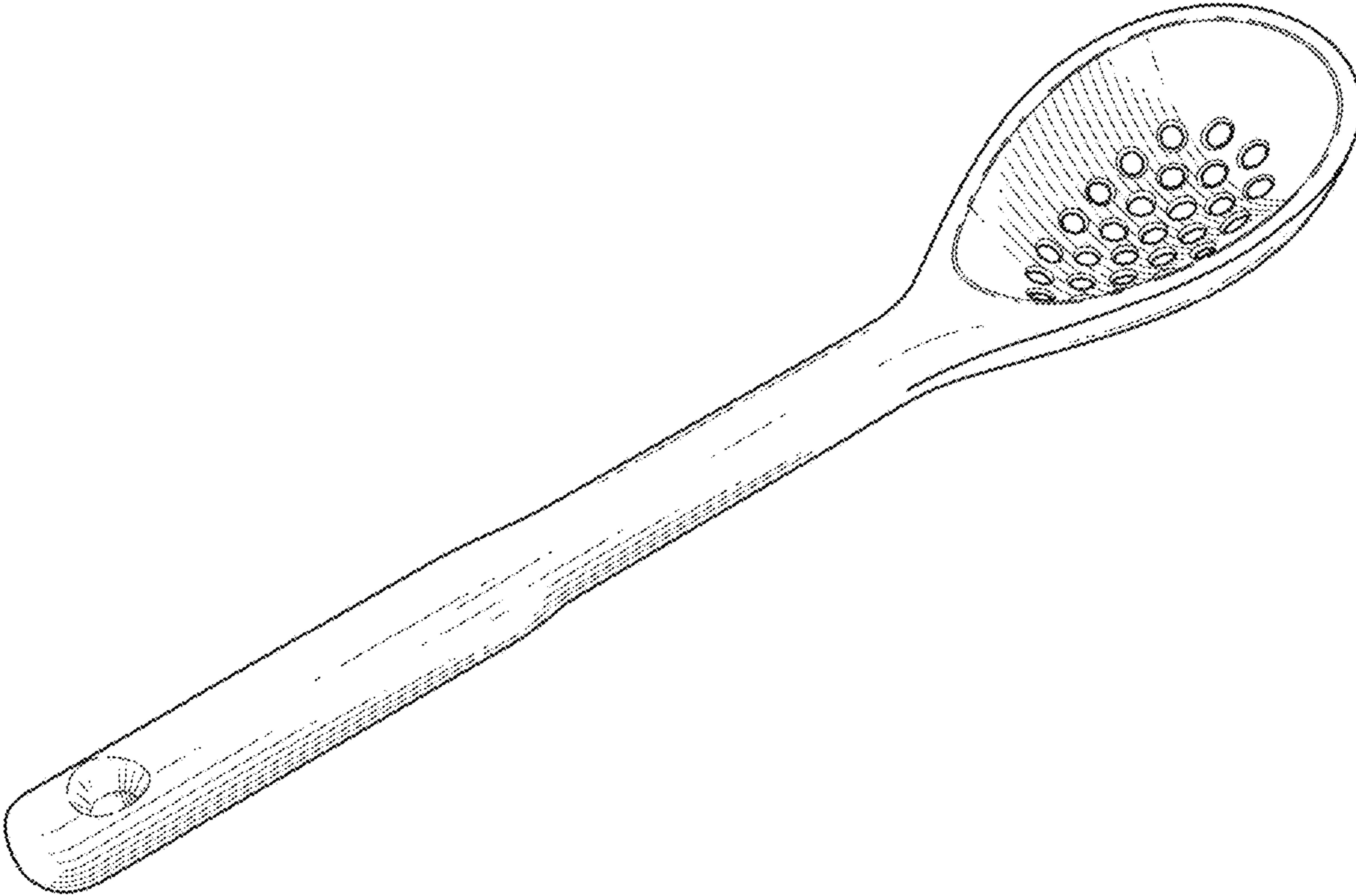


FIG. 1

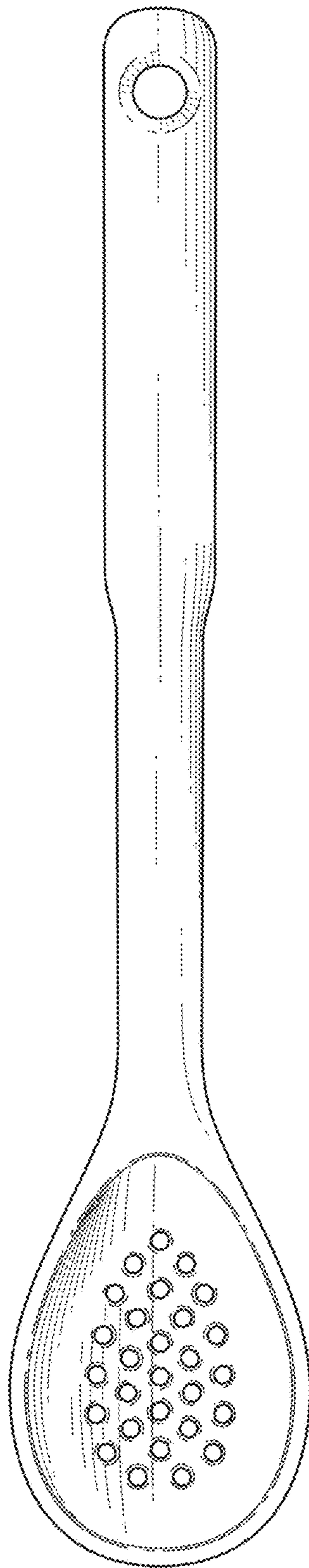


FIG. 2

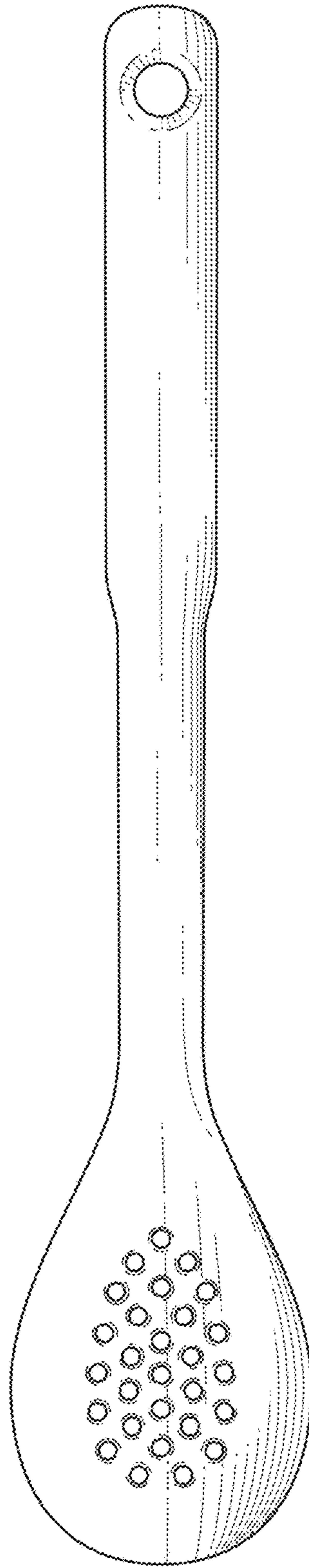


FIG. 3

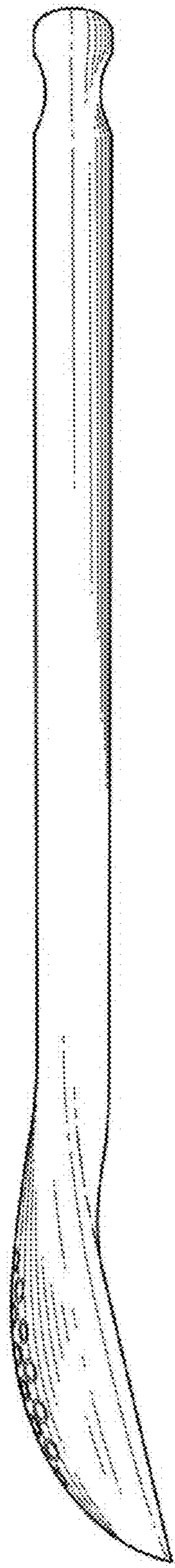


FIG. 4

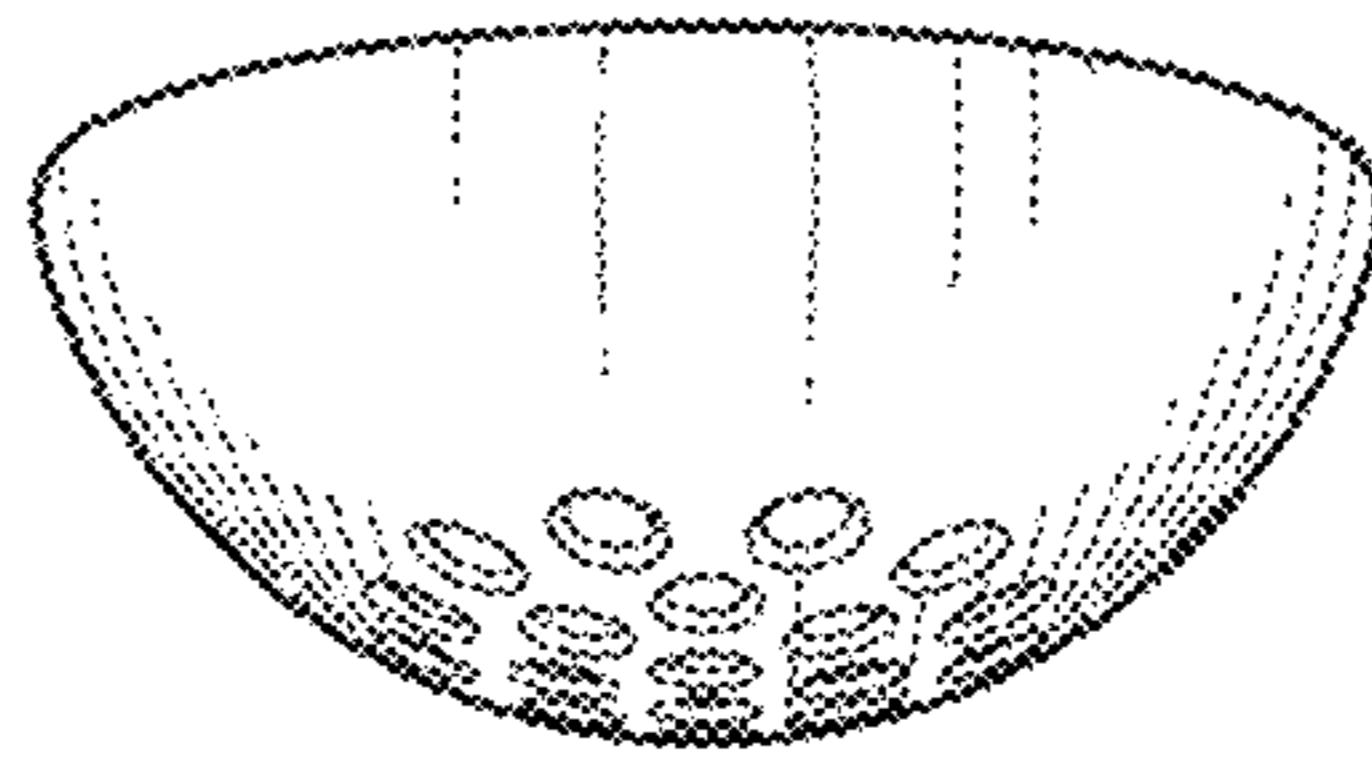


FIG. 5

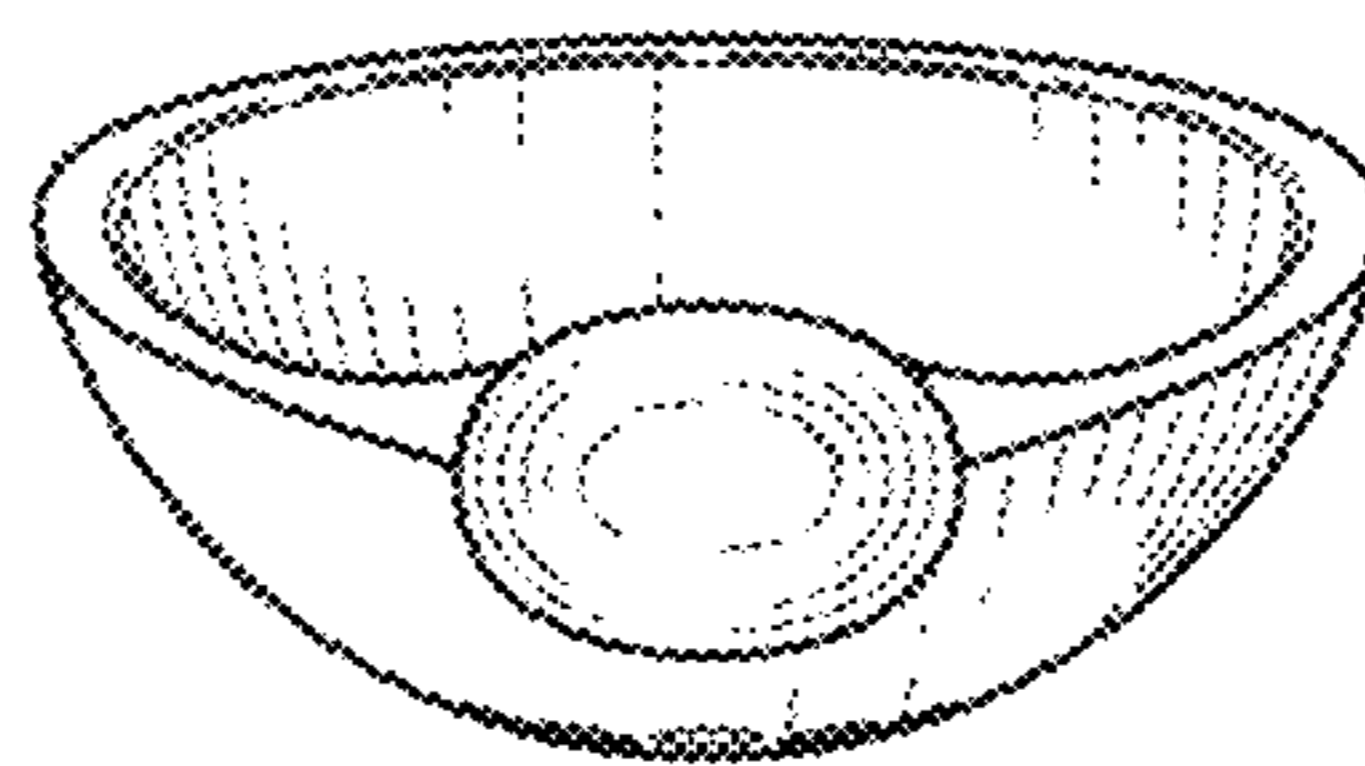


FIG. 6