



US00D909817S

(12) **United States Design Patent** (10) **Patent No.:** **US D909,817 S**  
**Hume et al.** (45) **Date of Patent:** **\*\* \*Feb. 9, 2021**

- (54) **DRINKING VESSEL**
- (71) Applicant: **True Fabrications, Inc.**, Seattle, WA (US)
- (72) Inventors: **Ryan William Hume**, Seattle, WA (US); **Amy Jo Westrick**, Seattle, WA (US)
- (73) Assignee: **TRUE FABRICATIONS, INC.**, Seattle, WA (US)
- (\*) Notice: This patent is subject to a terminal disclaimer.
- (\*\*) Term: **15 Years**
- (21) Appl. No.: **29/657,637**
- (22) Filed: **Jul. 24, 2018**
- (51) **LOC (13) Cl.** ..... **07-01**
- (52) **U.S. Cl.**  
USPC ..... **D7/529; D7/532**
- (58) **Field of Classification Search**  
USPC ..... D7/507, 509, 510, 511, 512, 523, 532, D7/529, 531, 533, 535, 536, 608, 524, D7/525; D9/503, 504, 552, 435, 447; D11/143, 144, 152, 153; D24/197  
CPC ..... A47J 41/0077; A47J 41/02; A47G 19/22; A47G 19/2205; A47G 2019/2277; A47G 19/2288; A45F 3/20; A45F 2003/205; B65D 43/02  
See application file for complete search history.

D613,997 S *	4/2010	Kingsley .....	D7/529
D614,917 S *	5/2010	Calco .....	D7/509
D635,399 S *	4/2011	DelVecchio .....	D7/509
D655,984 S *	3/2012	Andreesen .....	D7/509
D687,263 S *	8/2013	Chiorazzi .....	D7/509
D789,152 S *	6/2017	Wall .....	D7/538
D815,913 S *	4/2018	McLaughlin .....	D7/523
D824,729 S *	8/2018	Fitchko .....	D7/529
10,059,488 B2 *	8/2018	Chiriga .....	A47G 19/2205
2013/0014519 A1 *	1/2013	Bucceri .....	A47G 19/2288
			62/66

\* cited by examiner

*Primary Examiner* — Jae Liang  
(74) *Attorney, Agent, or Firm* — Vicky Kaur Bajwa

(57) **CLAIM**

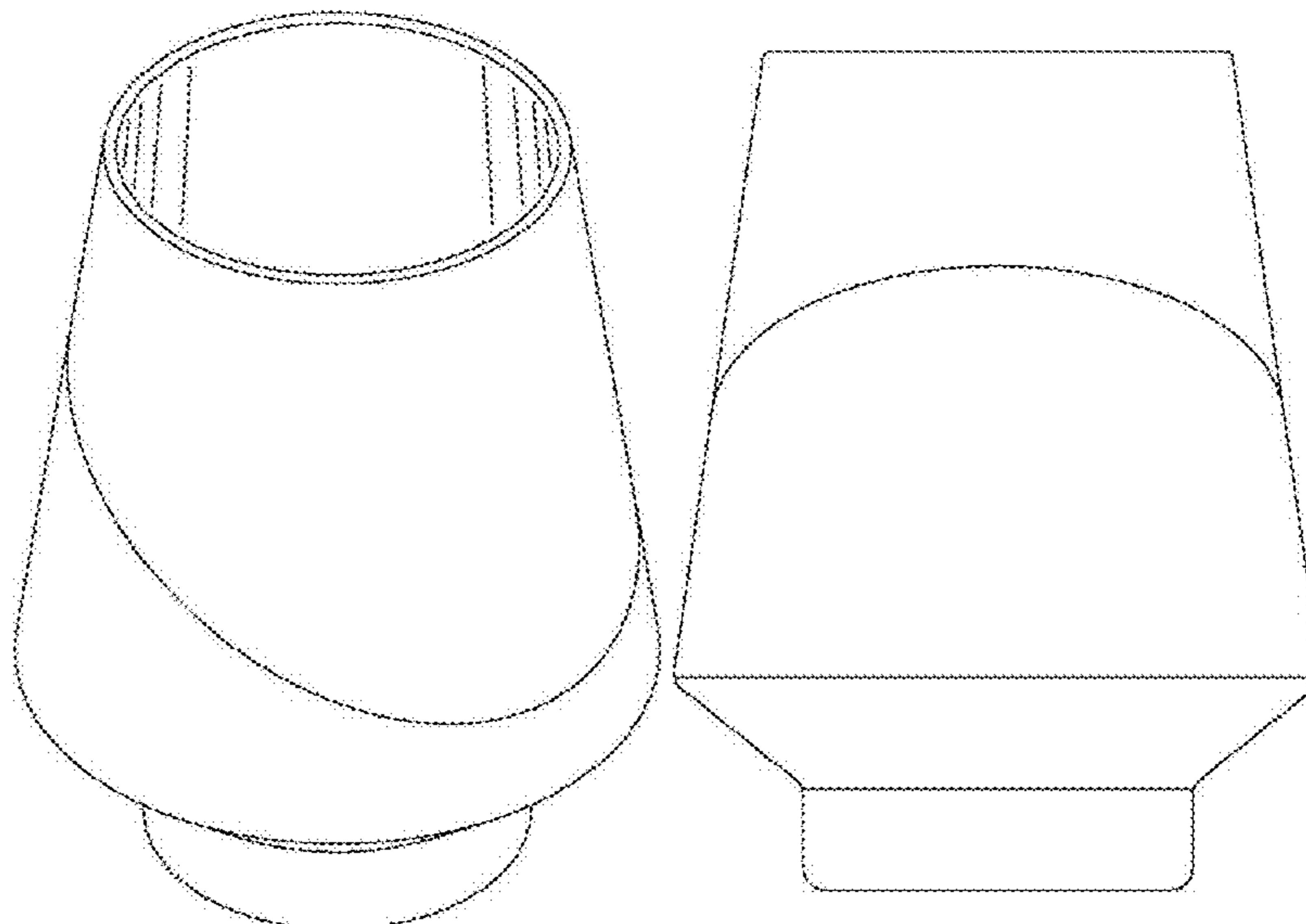
The ornamental design for a drinking vessel, as shown and described.

**DESCRIPTION**

FIG. 1 is a top perspective view of a first embodiment of a drinking vessel showing our new design;  
 FIG. 2 is a front elevation view of the drinking vessel of FIG. 1;  
 FIG. 3 is a rear elevation view of the drinking vessel of FIG. 1;  
 FIG. 4 is a right side elevation view of the drinking vessel of FIG. 1, the left side elevation view being a mirror image thereof;  
 FIG. 5 is a top view of the drinking vessel of FIG. 1;  
 FIG. 6 is a bottom view of the drinking vessel of FIG. 1;  
 FIG. 7 is a bottom perspective view of the drinking vessel of FIG. 1;  
 FIG. 8 is a cross section view showing a section taken along line 8-8 of FIG. 2; and,  
 FIG. 9 is a top perspective view of a second embodiment of the drinking vessel of FIG. 1.

**1 Claim, 4 Drawing Sheets**

- (56) **References Cited**  
U.S. PATENT DOCUMENTS  
D288,766 S \* 3/1987 Tardif ..... D7/523  
D462,876 S \* 9/2002 Janky ..... D7/510  
D545,132 S \* 6/2007 Bhavnani ..... D7/536  
7,530,468 B1 \* 5/2009 Garvey ..... A47G 19/145  
220/345.1



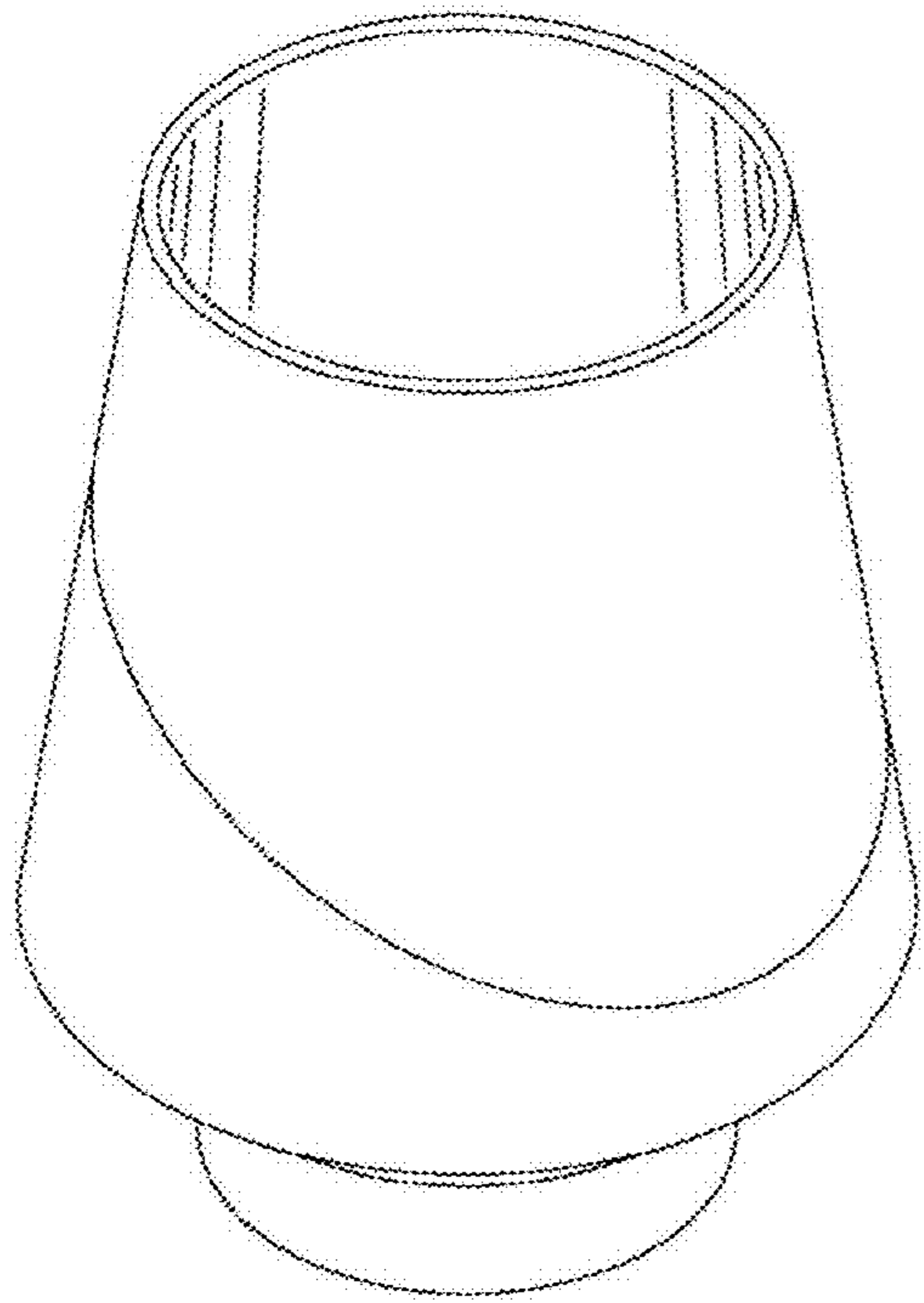


FIG. 1

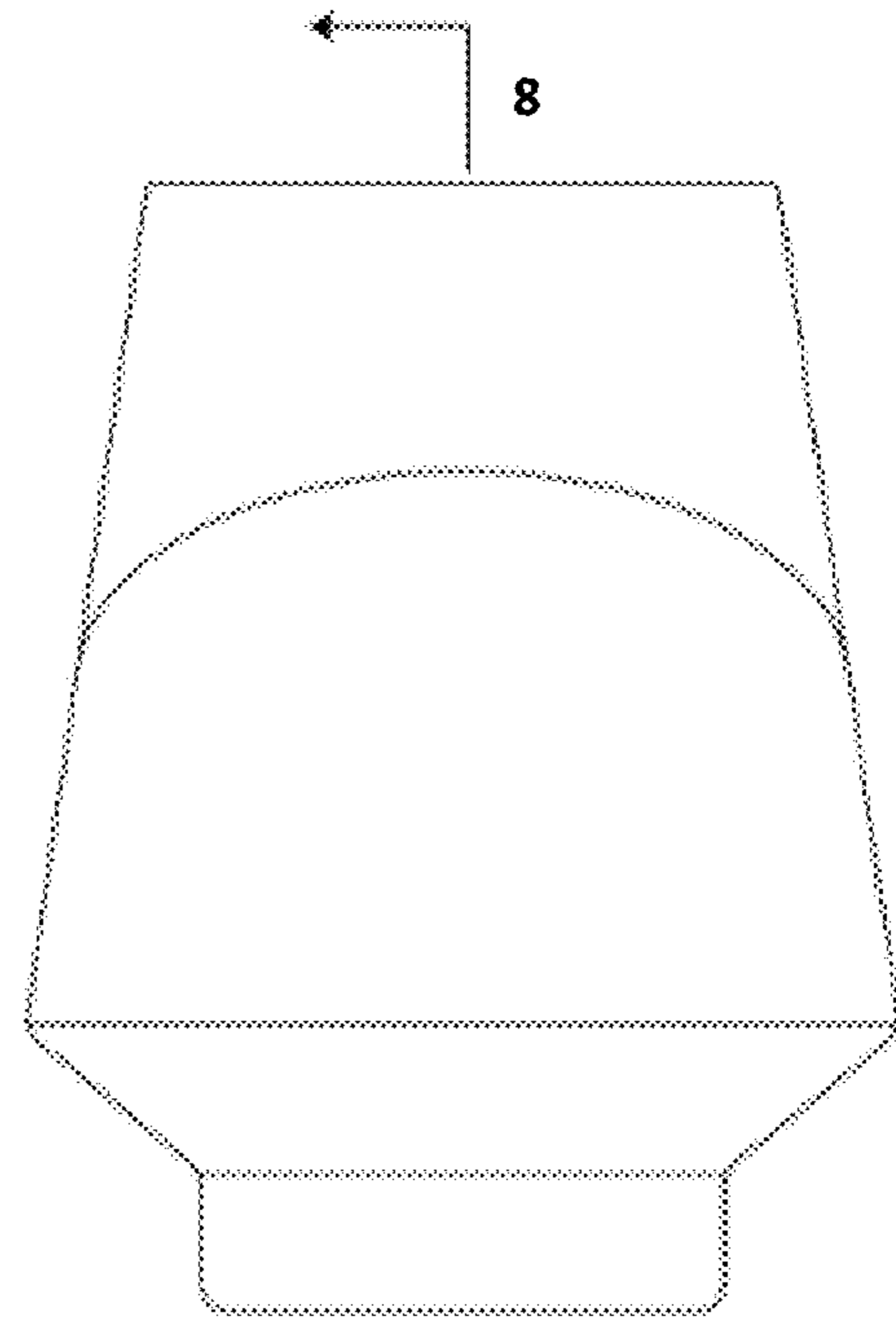


FIG. 2

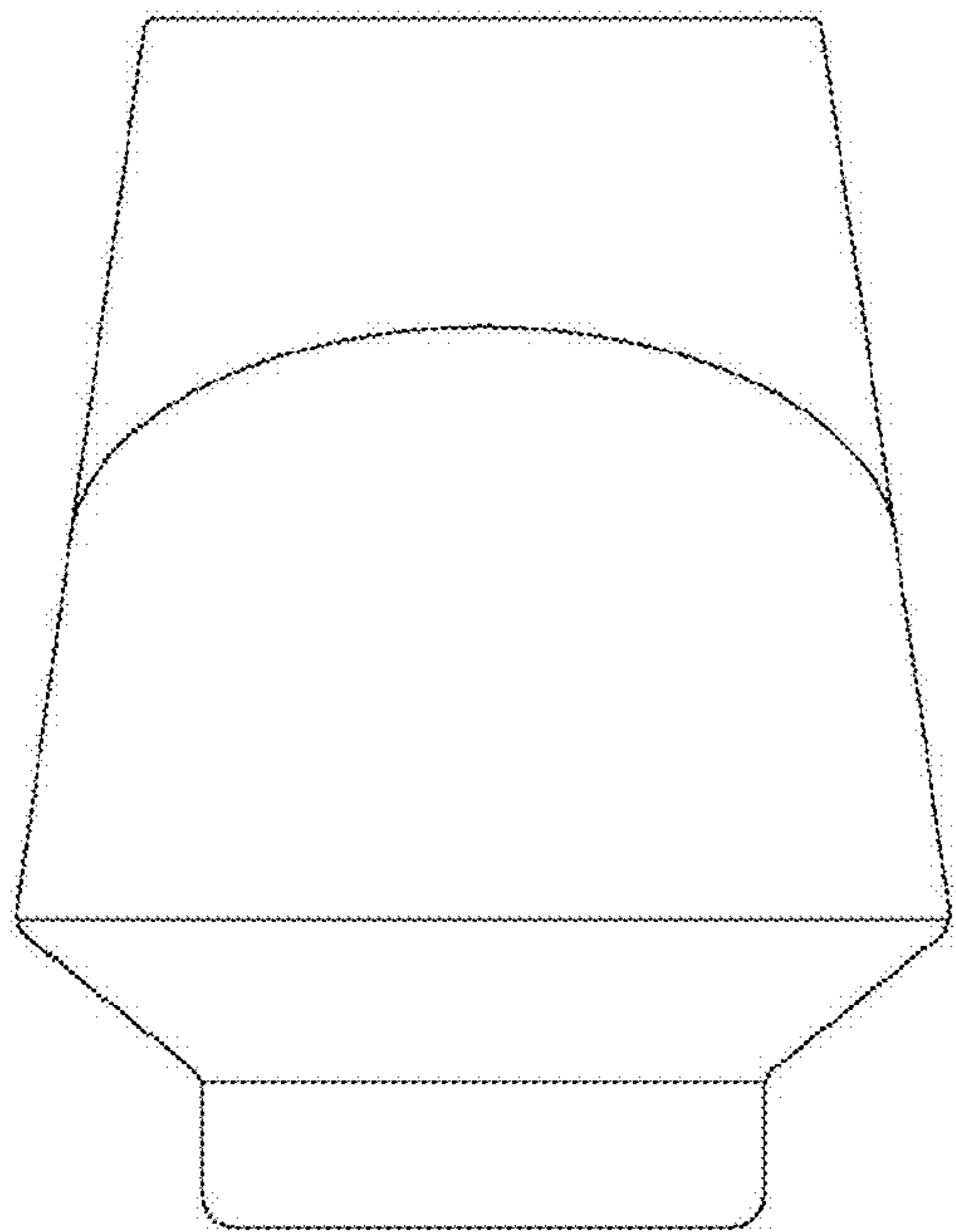


FIG. 3

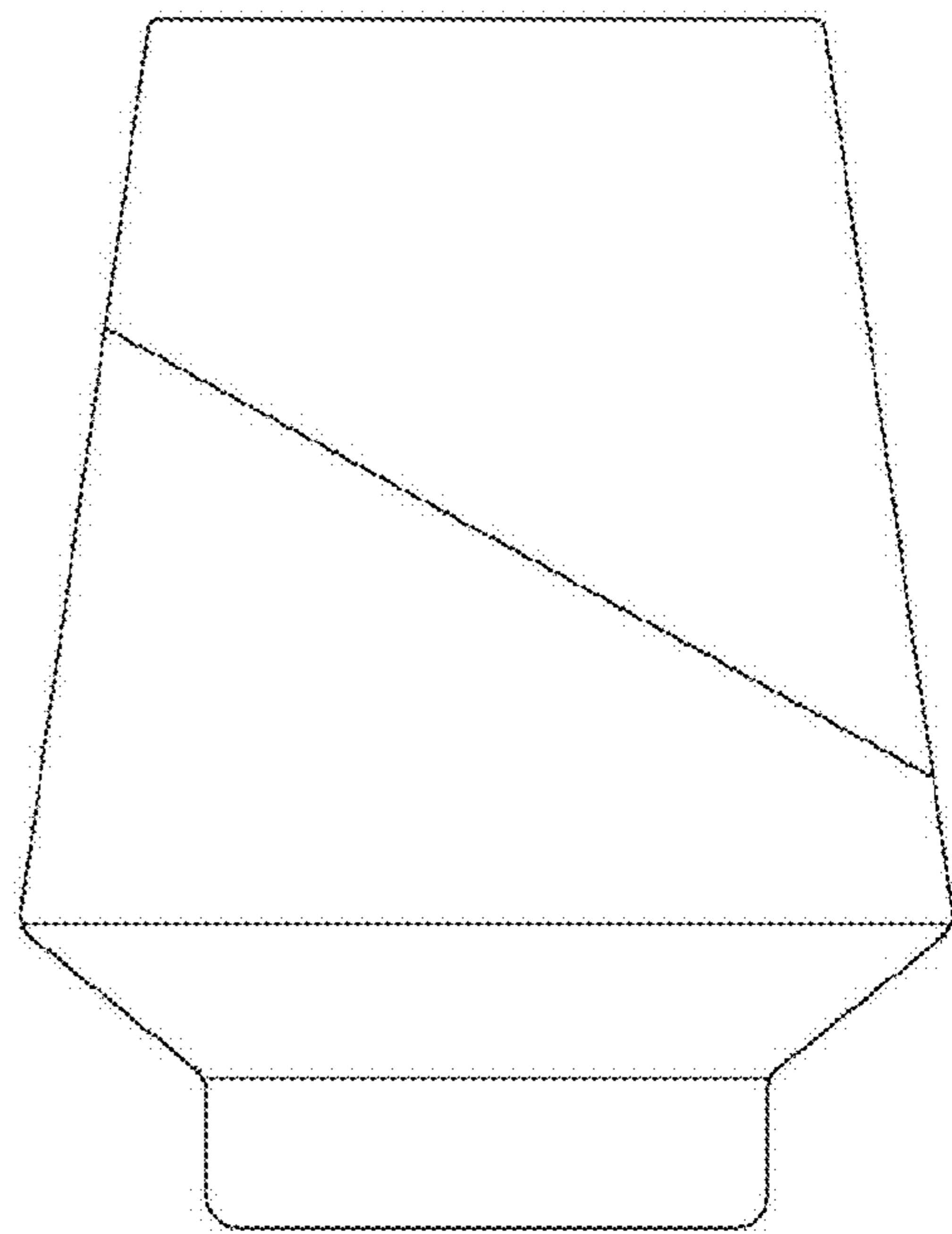


FIG. 4

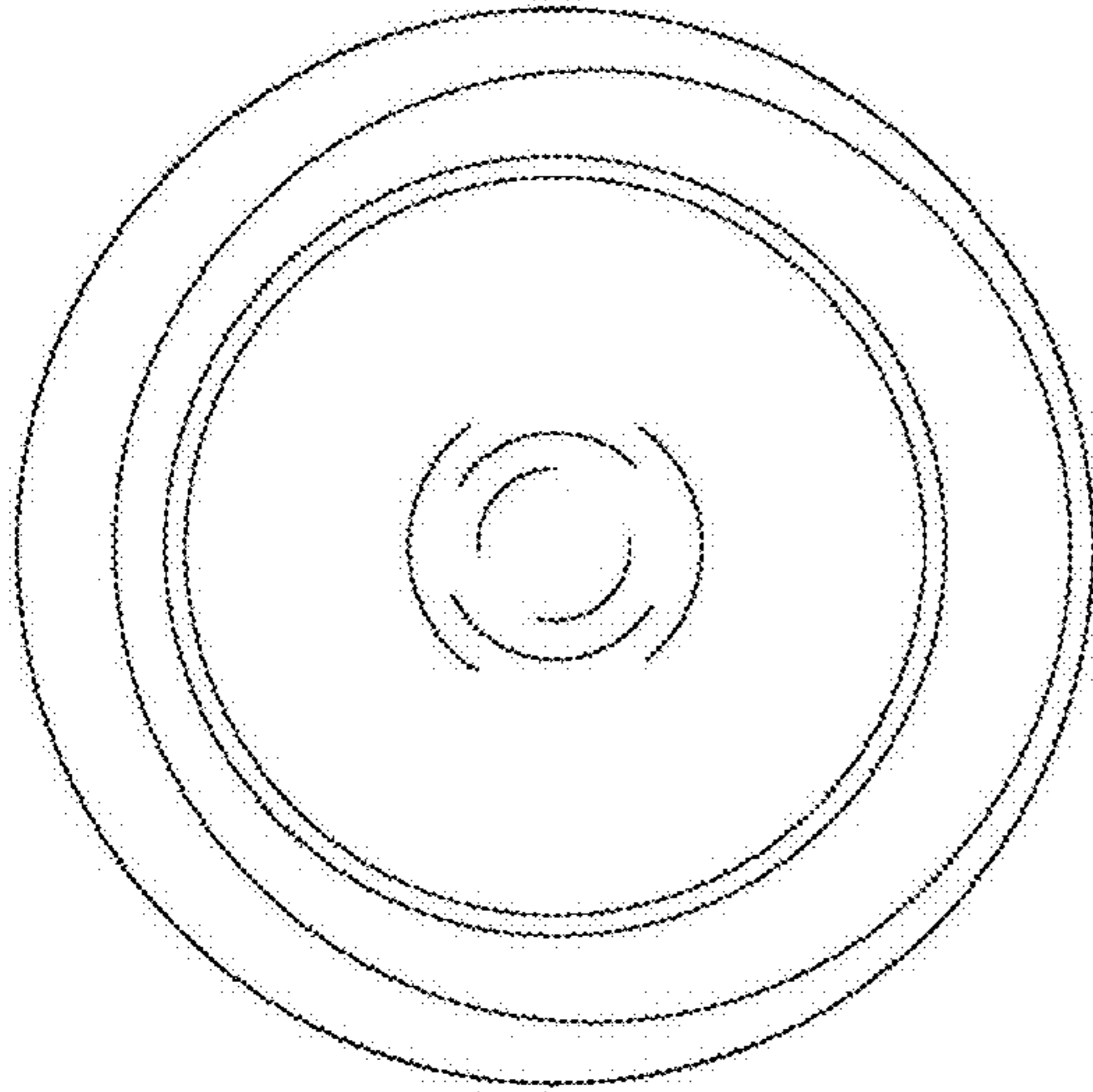


FIG. 5

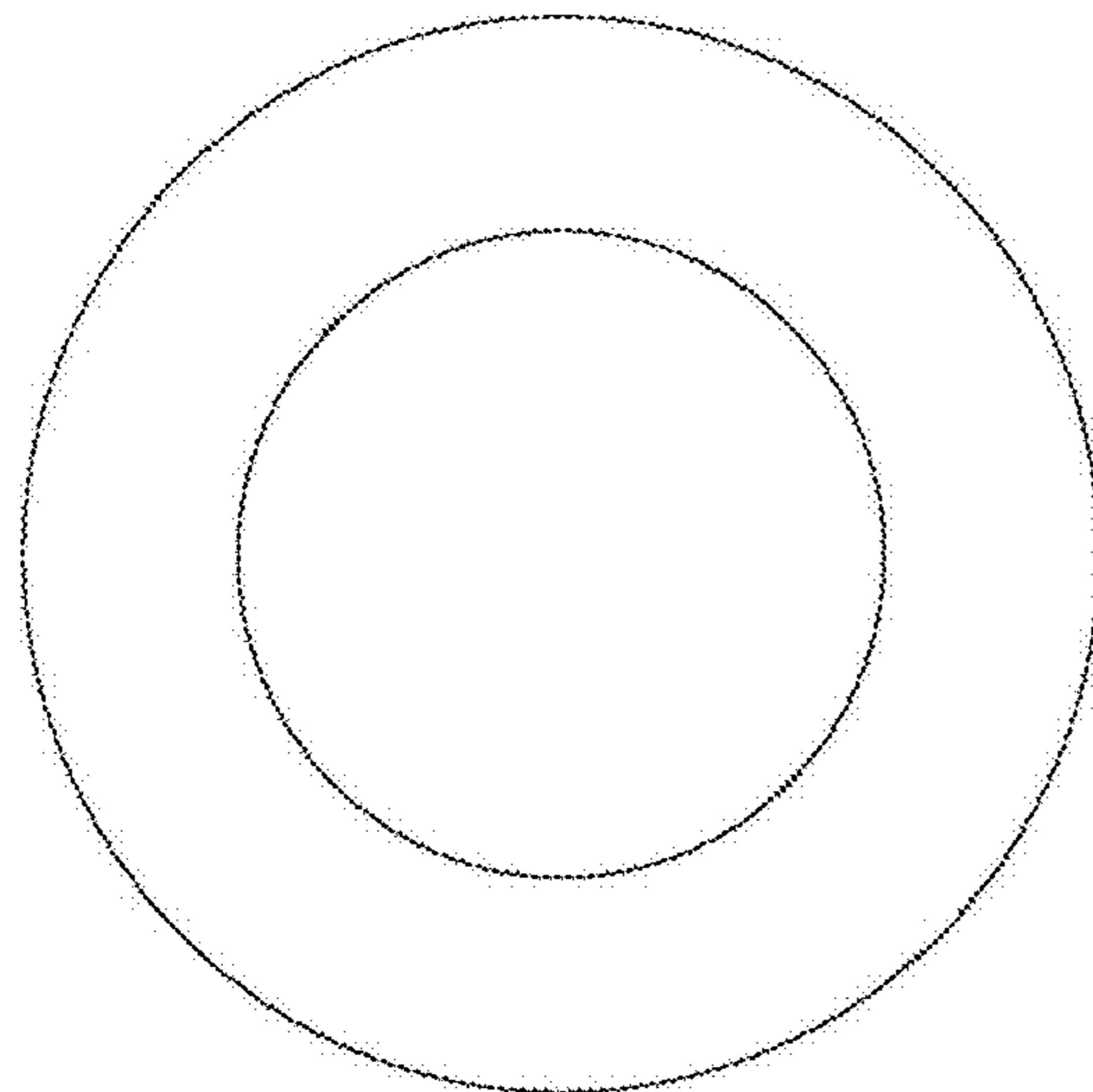


FIG. 6

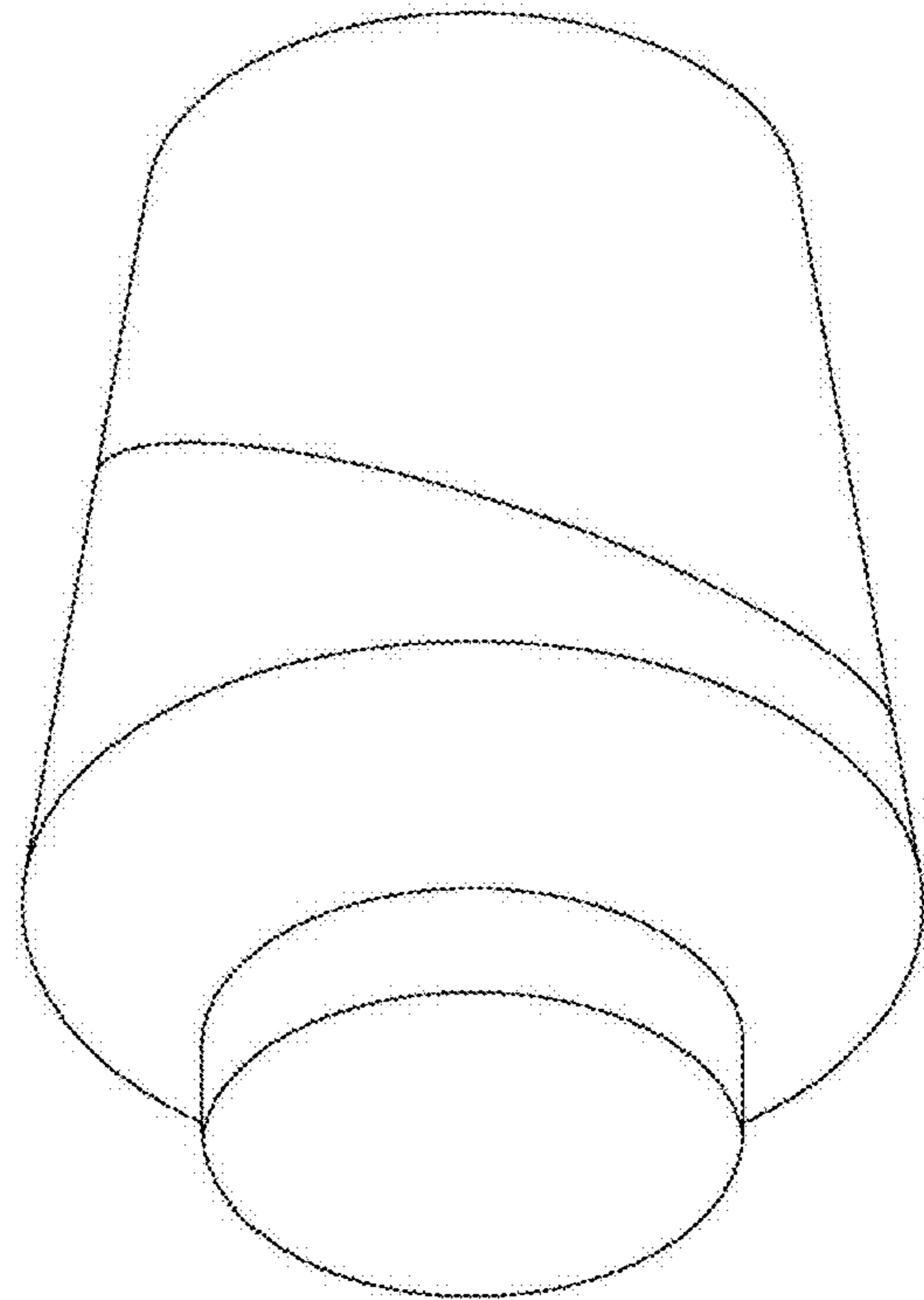


FIG. 7

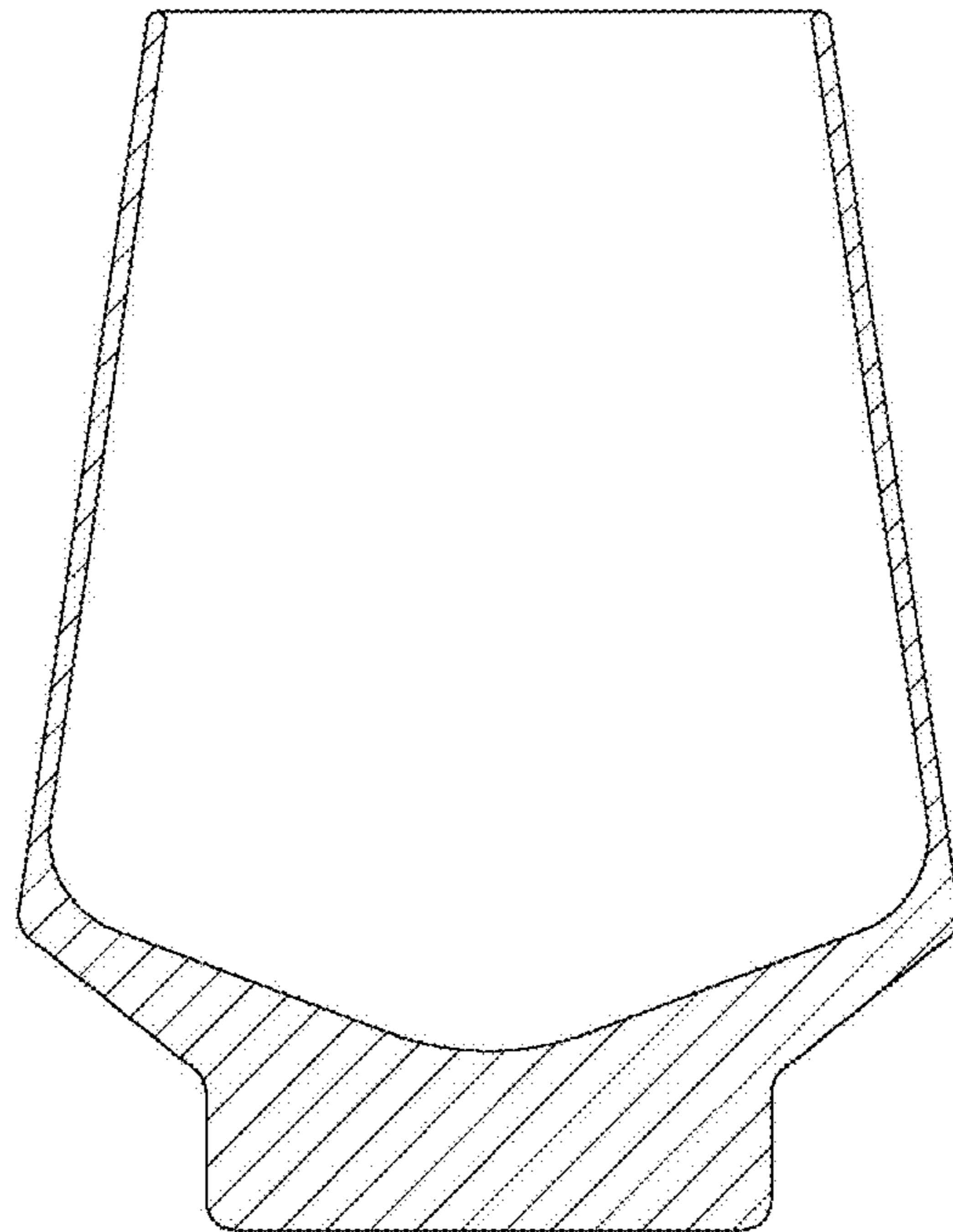


FIG. 8

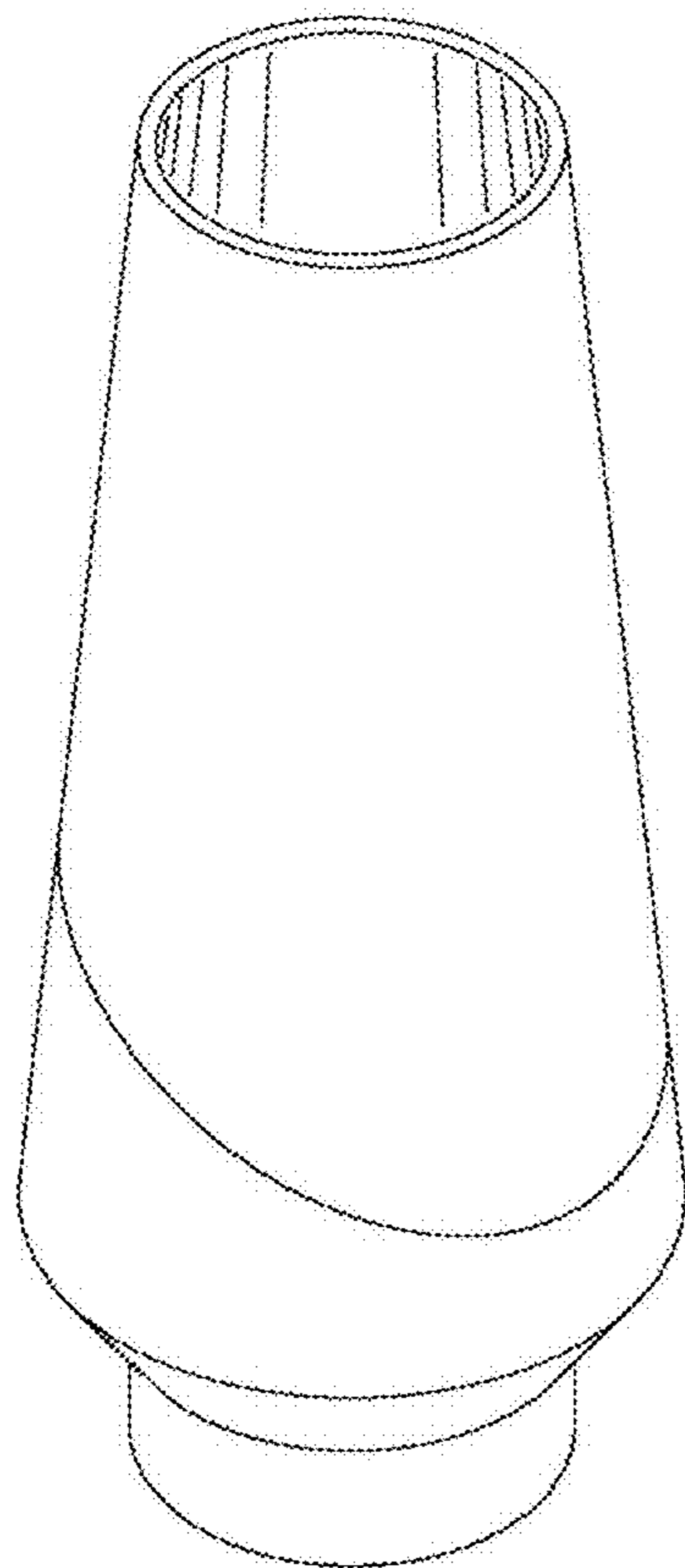


FIG. 9