



US00D909815S

(12) **United States Design Patent**
Gui

(10) **Patent No.:** **US D909,815 S**

(45) **Date of Patent:** **** Feb. 9, 2021**

(54) **WATER BOTTLE**

(71) Applicant: **Hongqin Gui**, Jiujiang (CN)

(72) Inventor: **Hongqin Gui**, Jiujiang (CN)

(**) Term: **15 Years**

(21) Appl. No.: **29/698,862**

(22) Filed: **Jul. 20, 2019**

(51) **LOC (13) Cl.** **07-01**

(52) **U.S. Cl.**

USPC **D7/510**; D7/511; D7/533

(58) **Field of Classification Search**

USPC D7/507, 509, 510, 511, 513, 529, 531,
D7/532, 523, 533, 534, 535, 536, 392.1,
D7/296.1, 396.2, 300.1, 608, 300, 320,
D7/624.1, 624.2; D3/202; D9/501, 502,
D9/503, 504, 530, 529, 522, 554, 567,
D9/571, 569, 449, 516, 523, 524, 543,
D9/565, 575

CPC A47G 19/22; A47G 19/2288; A47G
19/2205; A47G 19/2211; A47J 41/0077;
A45F 3/16

See application file for complete search history.

(56) **References Cited**

U.S. PATENT DOCUMENTS

D590,661 S * 4/2009 Kitamura D7/510
RE42,484 E * 6/2011 Kitamura D7/510

D814,857 S * 4/2018 Rolfson D7/392.1
D817,713 S * 5/2018 Lin D7/510
D830,784 S * 10/2018 Moore D7/608
D849,481 S * 5/2019 Washburn D7/510
D874,877 S * 2/2020 Hu D7/608
D892,557 S * 8/2020 Wang D7/510
D892,558 S * 8/2020 Wang D7/510
2017/0253397 A1* 9/2017 Coon B65D 43/14
2019/0021529 A1* 1/2019 Schucker G16H 20/30

* cited by examiner

Primary Examiner — Jae Liang

(57) **CLAIM**

The ornamental design for a water bottle, as shown and described.

DESCRIPTION

FIG. 1 is a front perspective view of a water bottle showing my new design;

FIG. 2 is a front elevational view thereof;

FIG. 3 is a rear elevational view thereof;

FIG. 4 is a left side elevational view thereof;

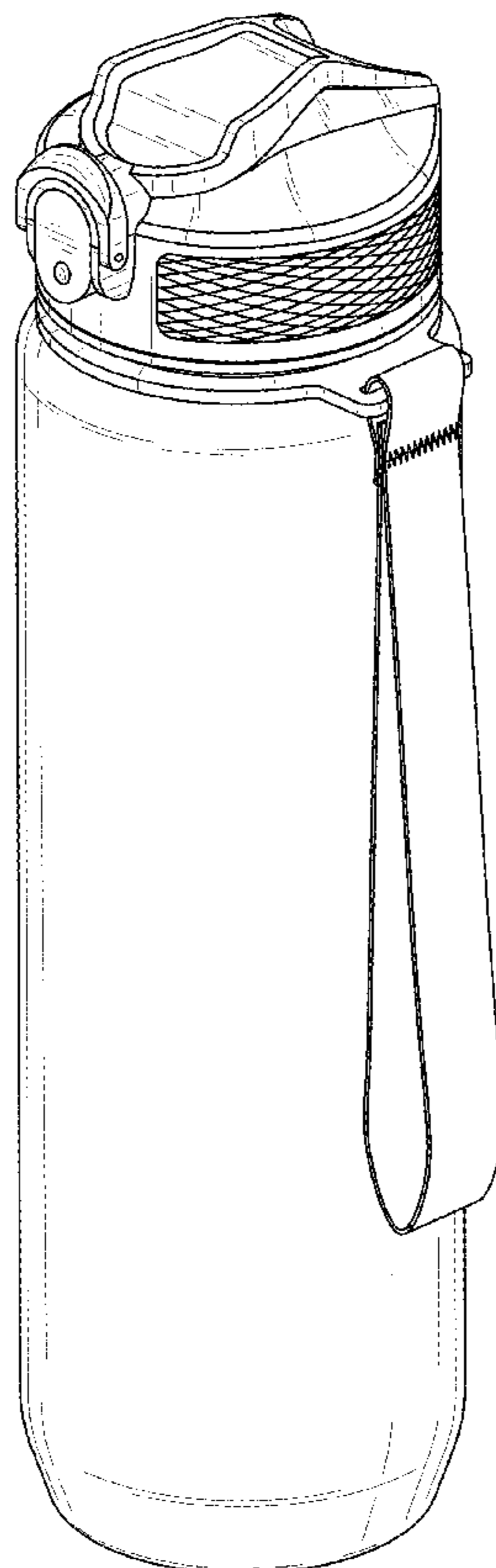
FIG. 5 is a right side elevational view thereof;

FIG. 6 is a top plan view thereof; and,

FIG. 7 is a bottom plan view thereof.

The broken lines in the figures depict the portions of the water bottle that form no parts of the claimed design.

1 Claim, 7 Drawing Sheets



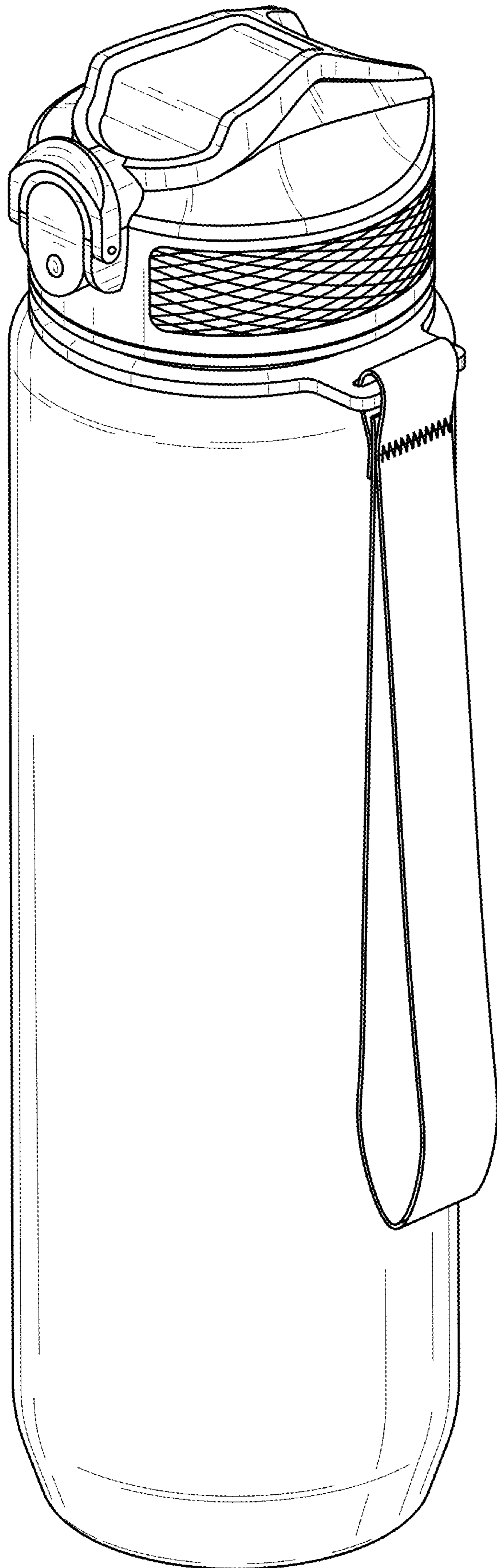


FIG. 1

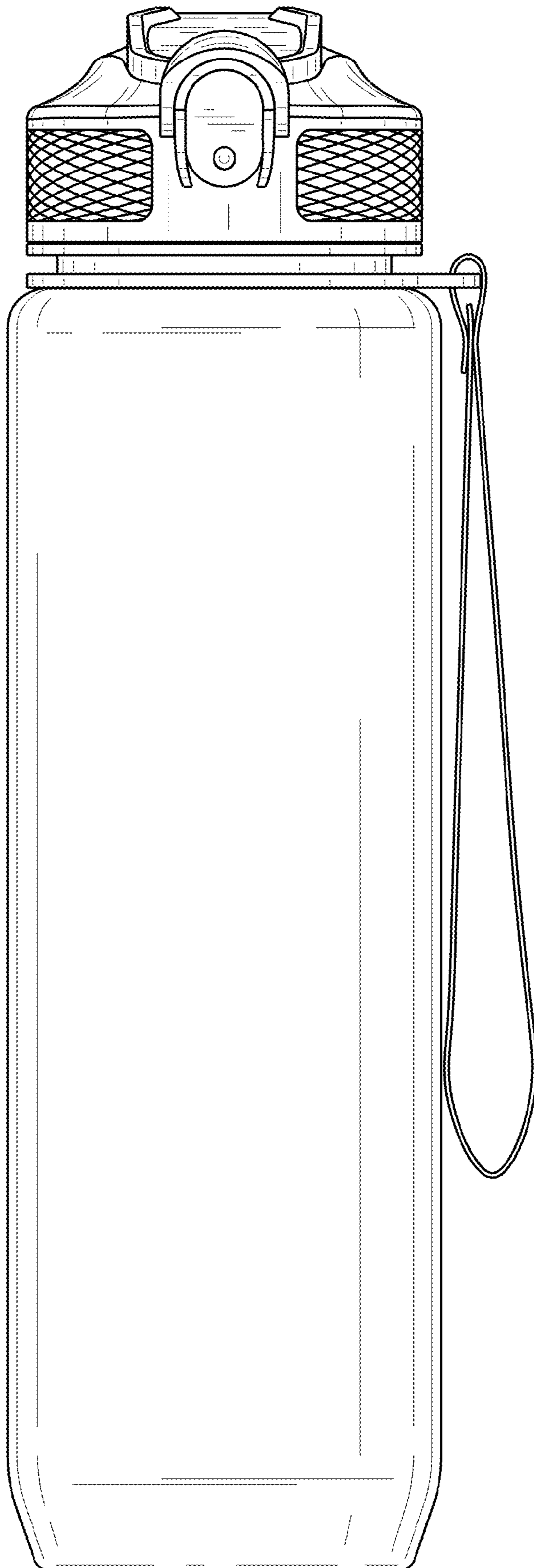


FIG. 2

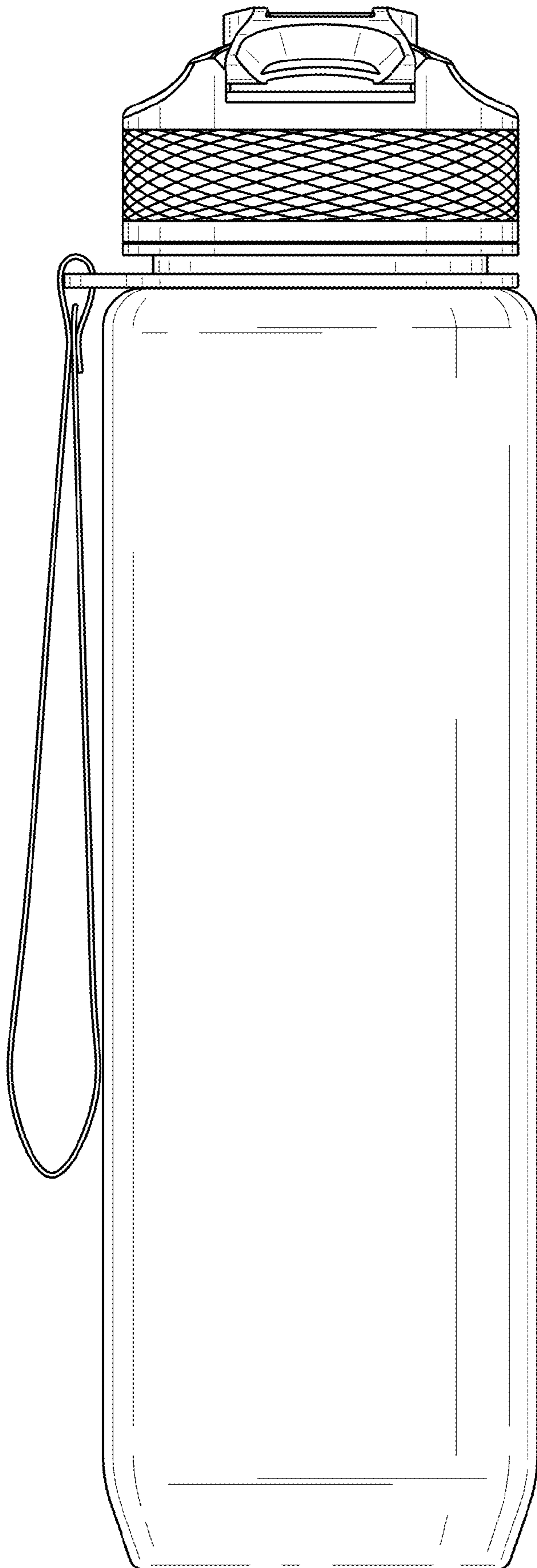


FIG. 3

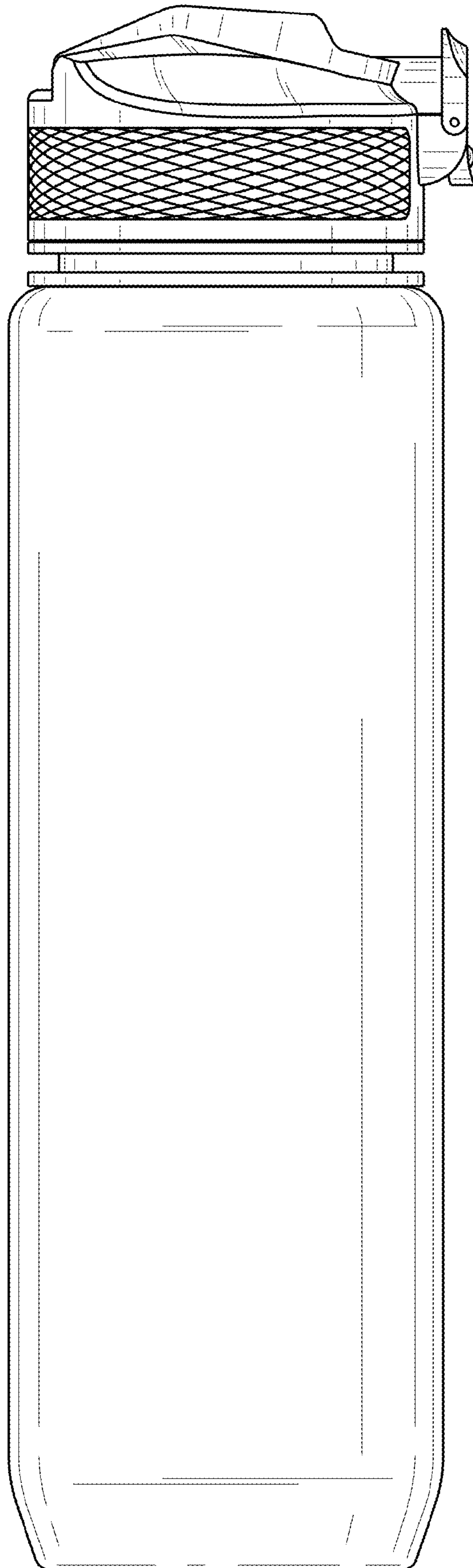


FIG. 4

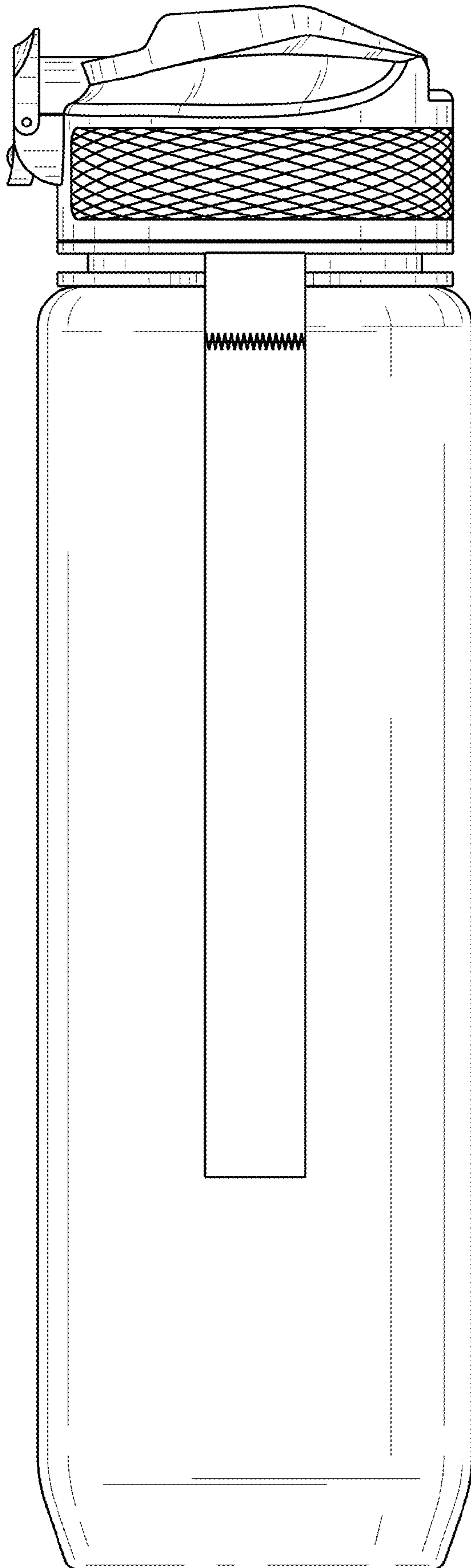


FIG. 5

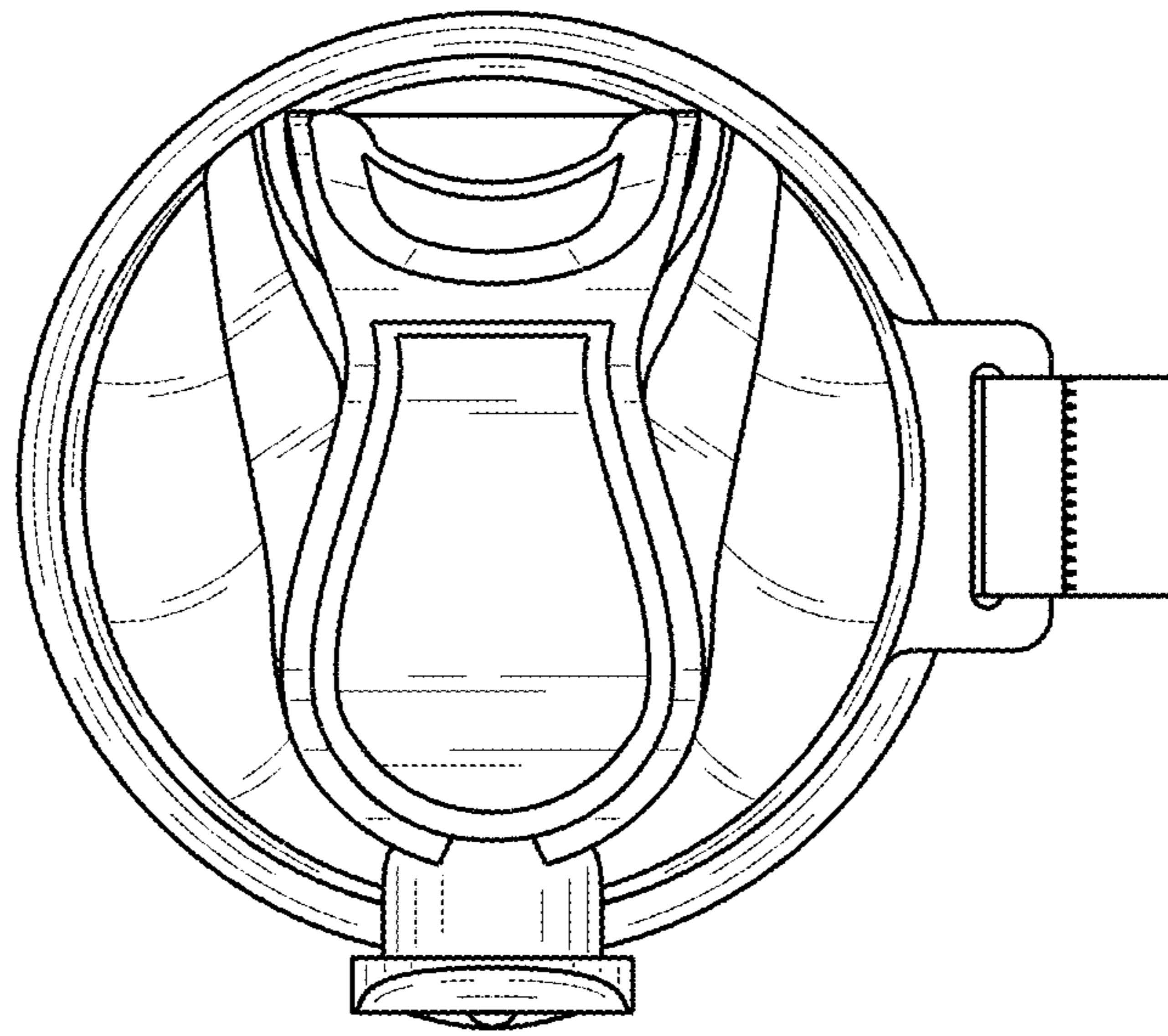


FIG. 6

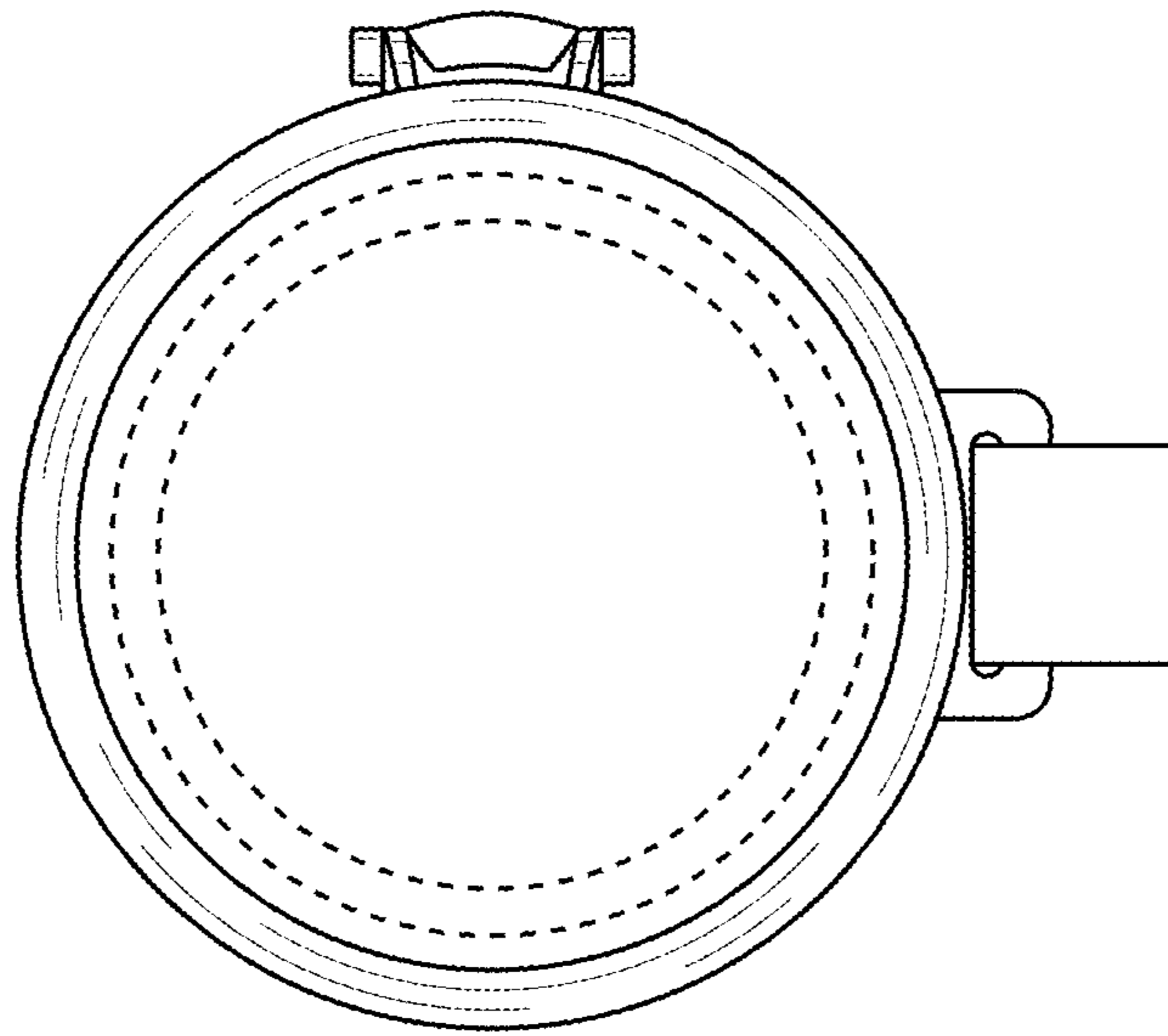


FIG. 7