

US00D909810S

(12) **United States Design Patent**  
**Lin**

(10) **Patent No.:** **US D909,810 S**

(45) **Date of Patent:** **\*\* Feb. 9, 2021**

(54) **BOTTLE CAP**

(71) Applicant: **Yitong Lin**, Fujian (CN)

(72) Inventor: **Yitong Lin**, Fujian (CN)

(73) Assignee: **SHENZHEN ZHONGMIN TECHNOLOGY CO., LTD.**, Shenzhen (CN)

(\*\*) Term: **15 Years**

(21) Appl. No.: **29/650,466**

(22) Filed: **Jun. 7, 2018**

(51) **LOC (13) Cl.** ..... **07-99**

(52) **U.S. Cl.**  
USPC ..... **D7/396.2; D7/392.1**

(58) **Field of Classification Search**  
USPC ..... D23/207; D27/101; D7/300, 300.2, 301, D7/635, 392, 392.1, 424, 430, 435, 443, D7/447, 449, 453, 454, 510, 511, 538, D7/540, 542, 543, 544, 545, 629, 780, D7/396.2  
CPC ..... A47G 21/18; A61J 7/0038; B65D 2517/0049  
See application file for complete search history.

(56) **References Cited**

**U.S. PATENT DOCUMENTS**

- D596,460 S \* 7/2009 Nezu ..... D7/510
- D609,964 S \* 2/2010 Lane ..... D7/392.1
- D625,146 S \* 10/2010 George ..... D7/392
- D675,060 S \* 1/2013 Lane ..... D7/392.1
- D686,040 S \* 7/2013 Lane ..... D7/510
- D686,872 S \* 7/2013 Lane ..... D7/392.1
- D690,557 S \* 10/2013 Carreno ..... D7/510

- D734,638 S \* 7/2015 Wahl ..... D7/392.1
- D739,183 S \* 9/2015 Lane ..... D7/605
- D747,918 S \* 1/2016 Herbst ..... D7/392.1
- D758,790 S \* 6/2016 Boroski ..... D7/392.1
- D793,804 S \* 8/2017 Herbst ..... D7/392.1
- D794,453 S \* 8/2017 Boroski ..... B65D 43/26  
D7/392.1
- D821,816 S \* 7/2018 Racamier ..... D7/511
- D836,387 S \* 12/2018 Silsby ..... D7/392.1
- D873,605 S \* 1/2020 Lindsay ..... D7/392.1
- 2013/0319966 A1 \* 12/2013 Lane ..... B65D 43/26  
215/237

\* cited by examiner

*Primary Examiner* — Karen S Acker

*Assistant Examiner* — Steven B Reinholdt, Jr.

(74) *Attorney, Agent, or Firm* — Justin Lampel

(57) **CLAIM**

The ornamental design for a bottle cap, as shown and described.

**DESCRIPTION**

FIG. 1 is a perspective view of a bottle cap showing my new design;

FIG. 2 is a front side view thereof;

FIG. 3 is a rear side view thereof;

FIG. 4 is a right side view thereof;

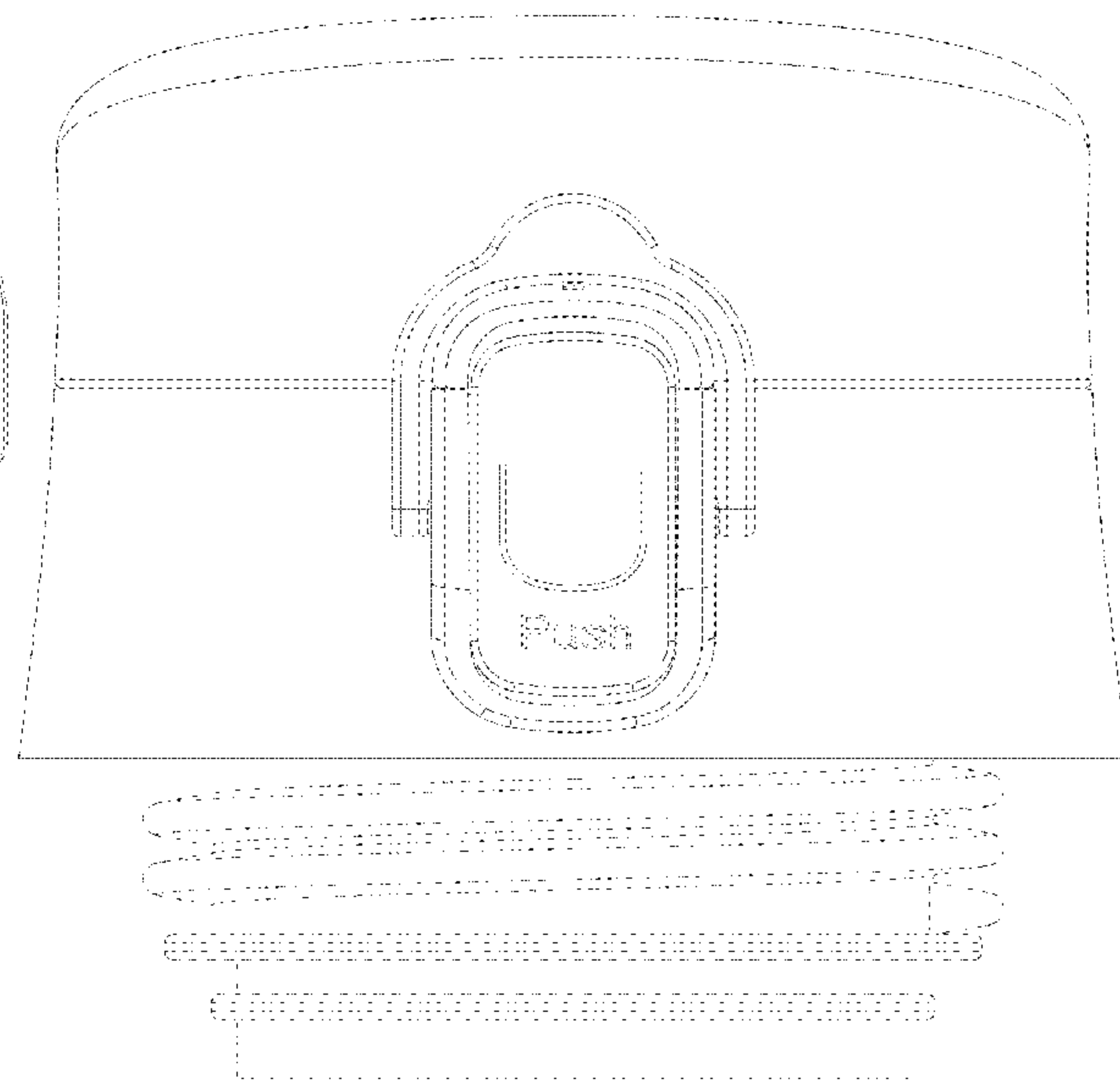
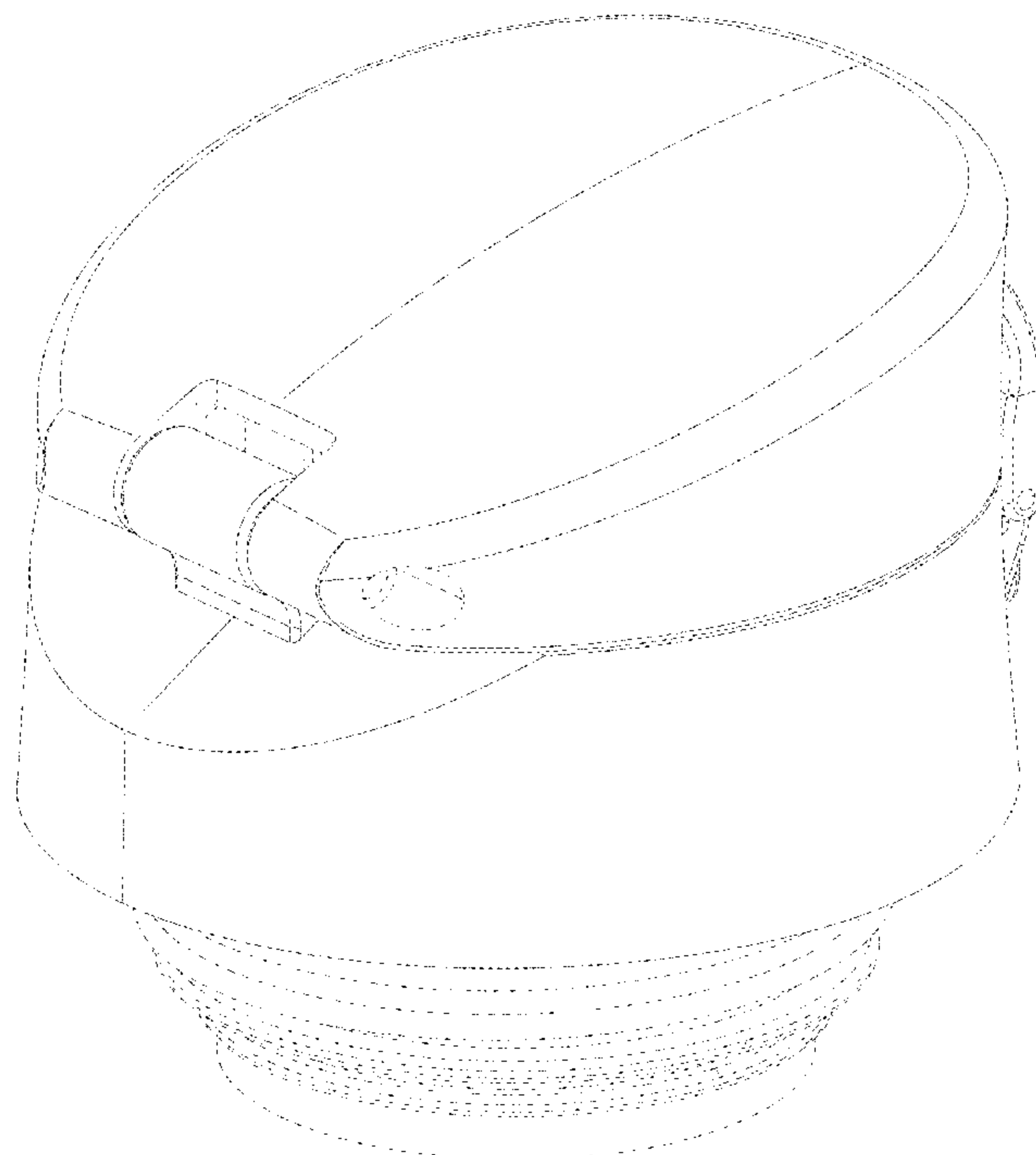
FIG. 5 is a left side view thereof;

FIG. 6 is a bottom plan view thereof; and,

FIG. 7 is a top plan view thereof.

The evenly spaced broken lines and the areas within them depict portions of the bottle cap that form no part of the claimed design.

**1 Claim, 7 Drawing Sheets**



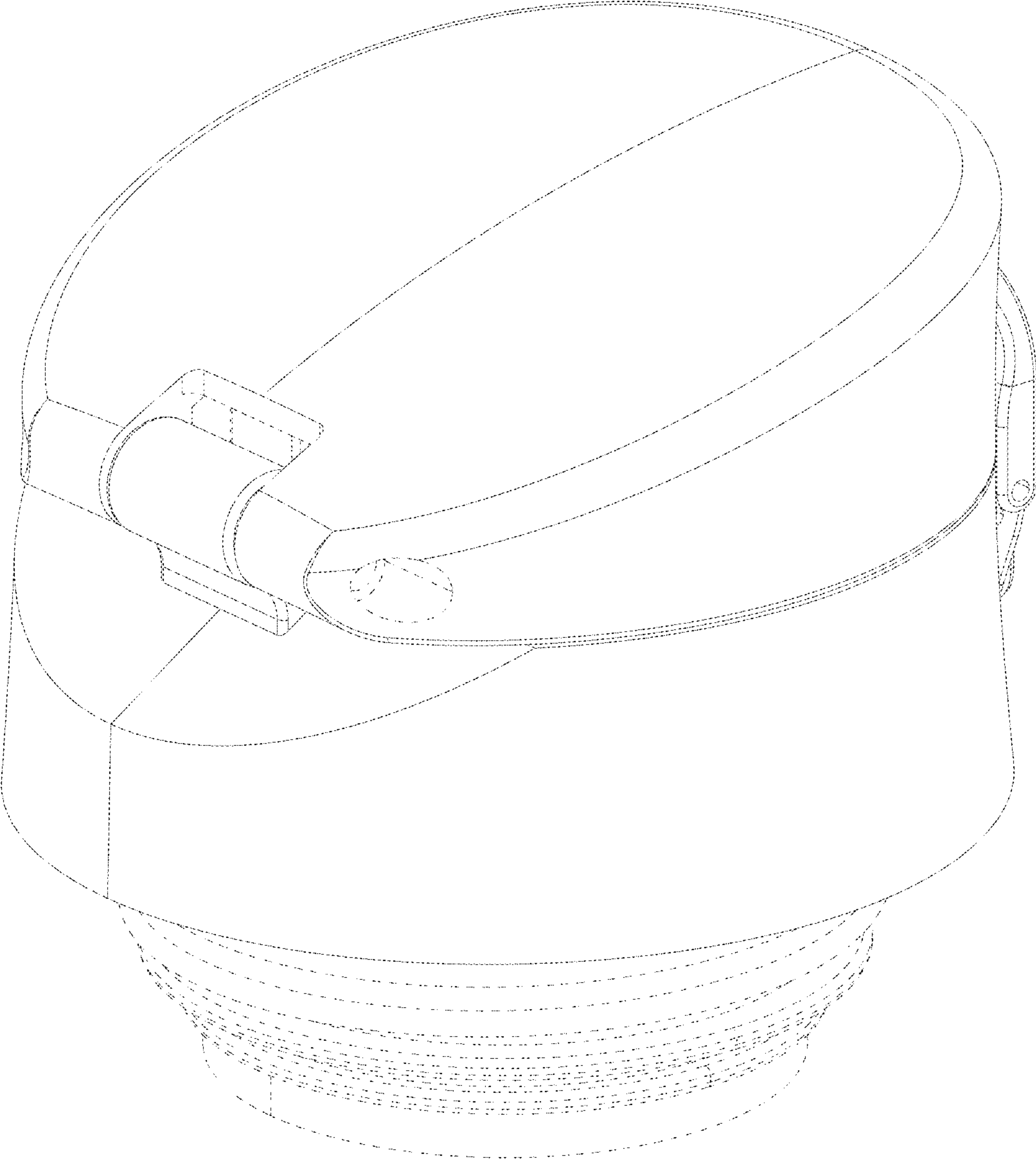


FIG.1

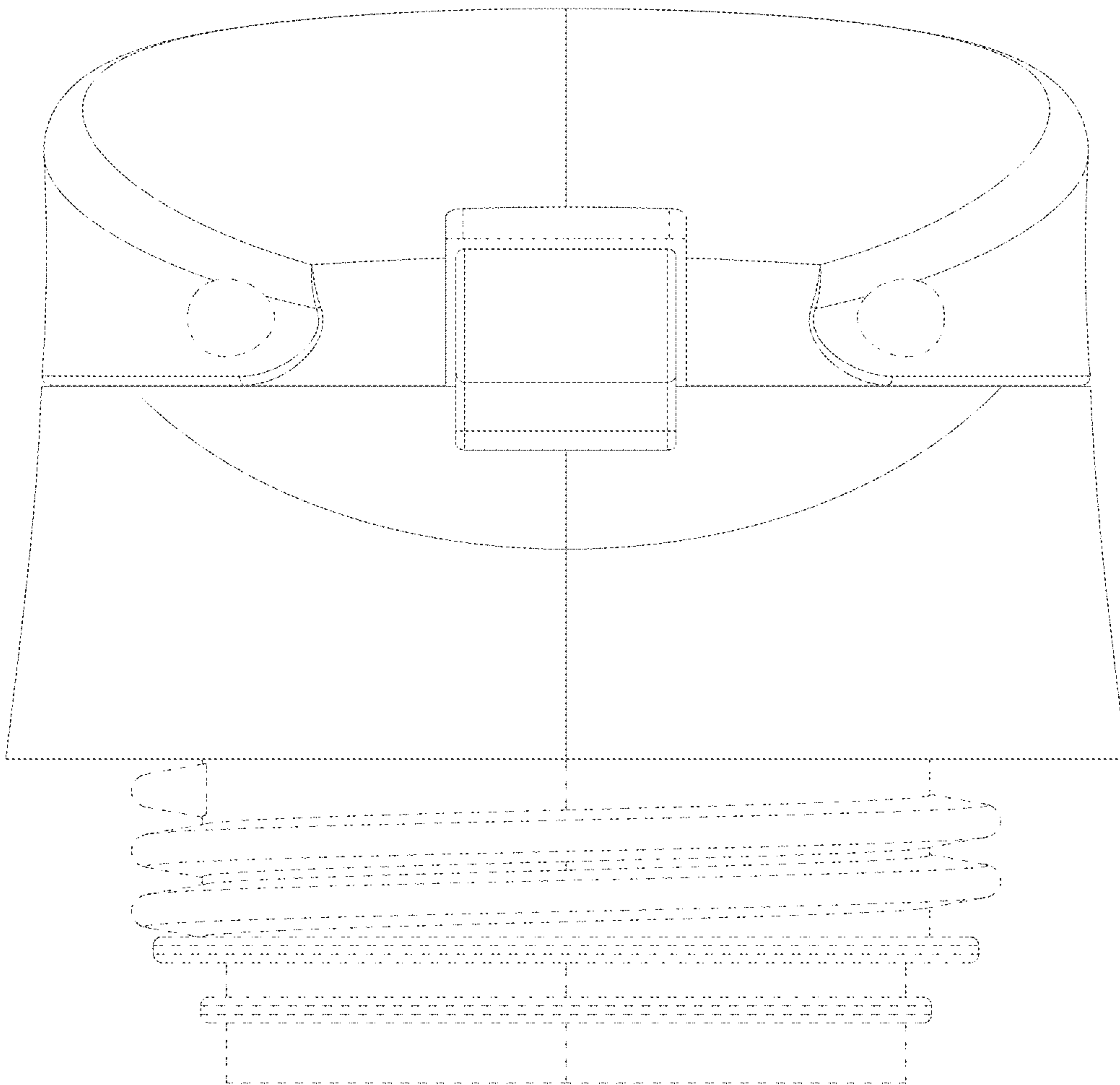


FIG.2

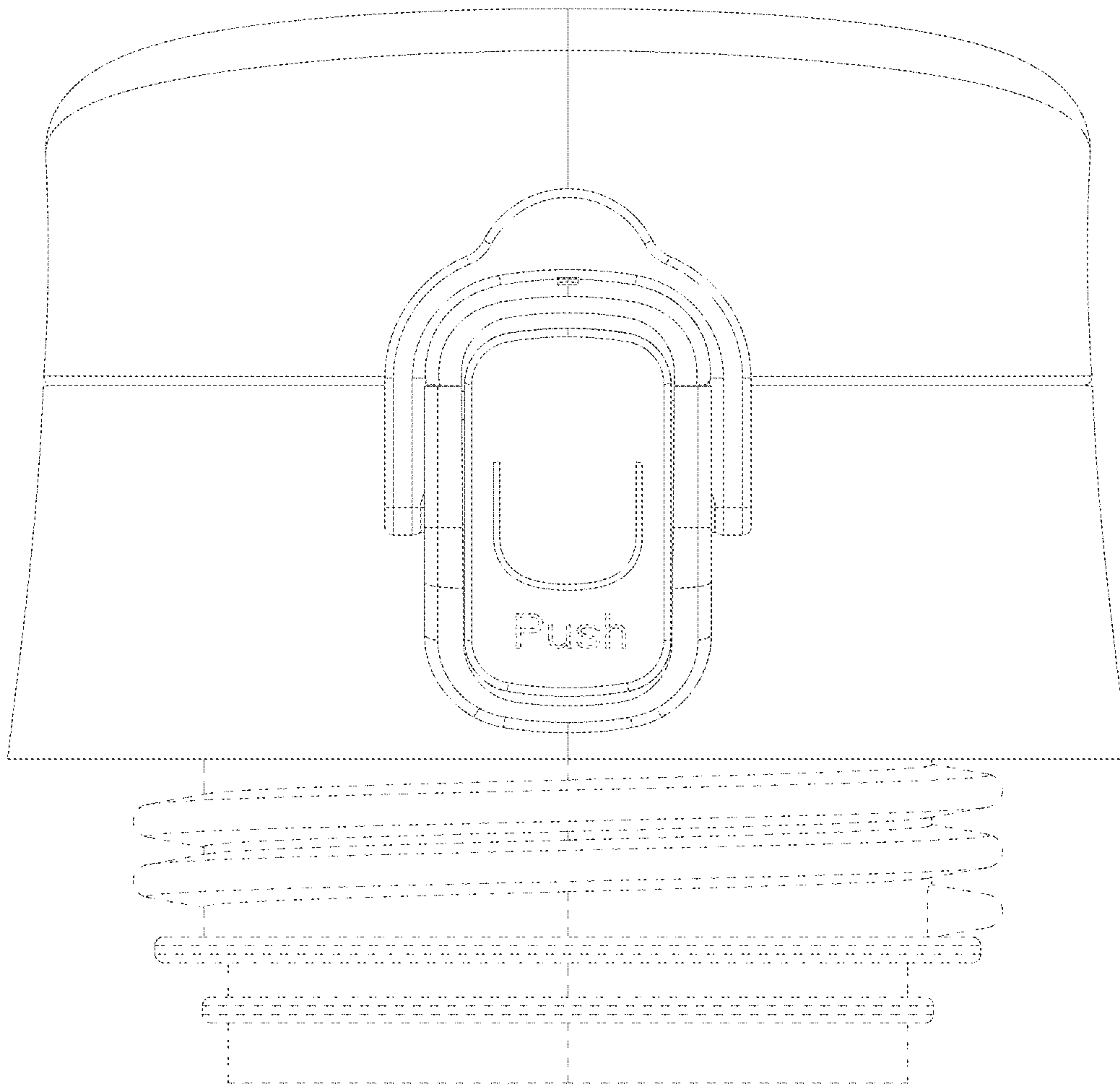


FIG.3

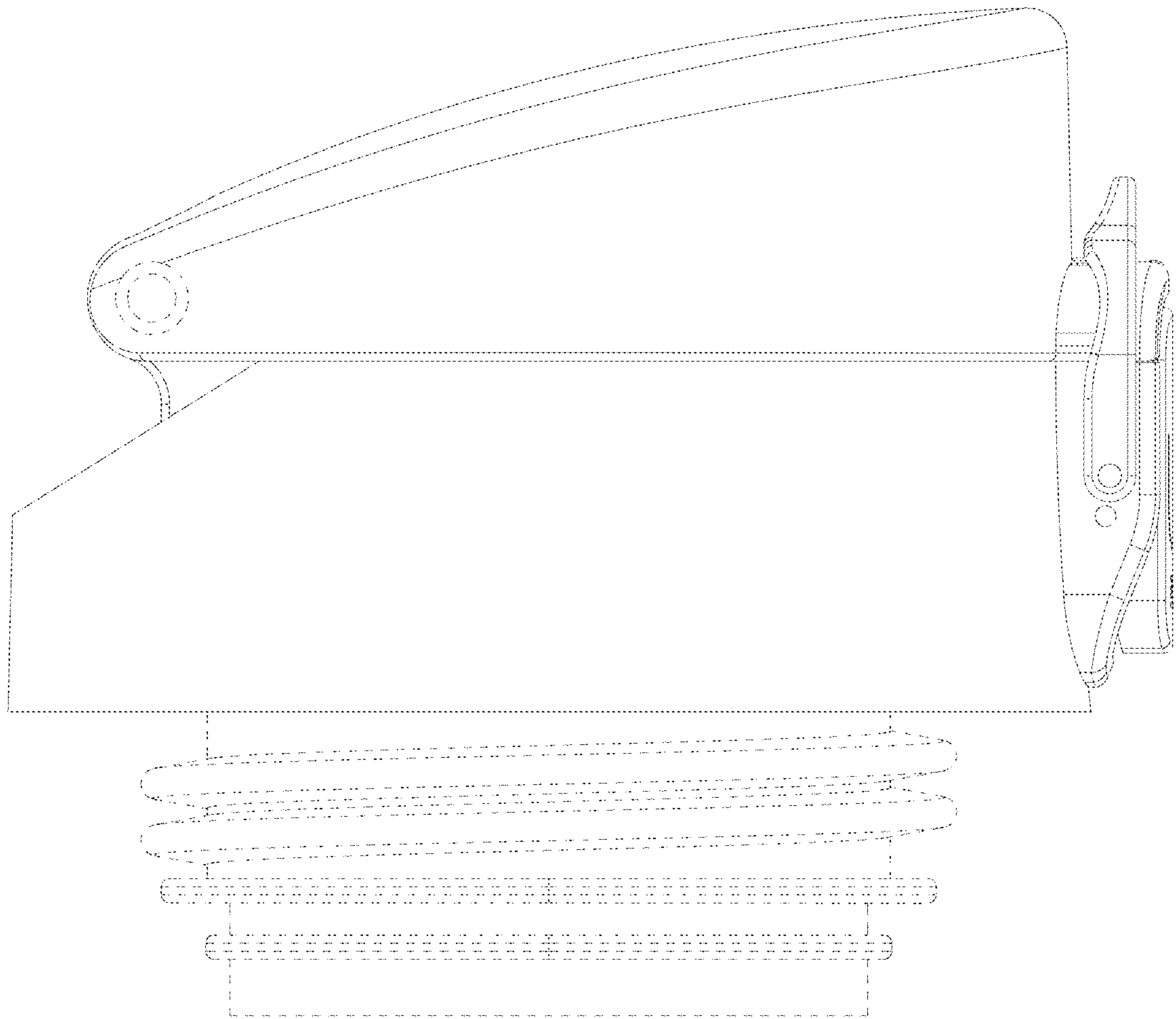


FIG.4

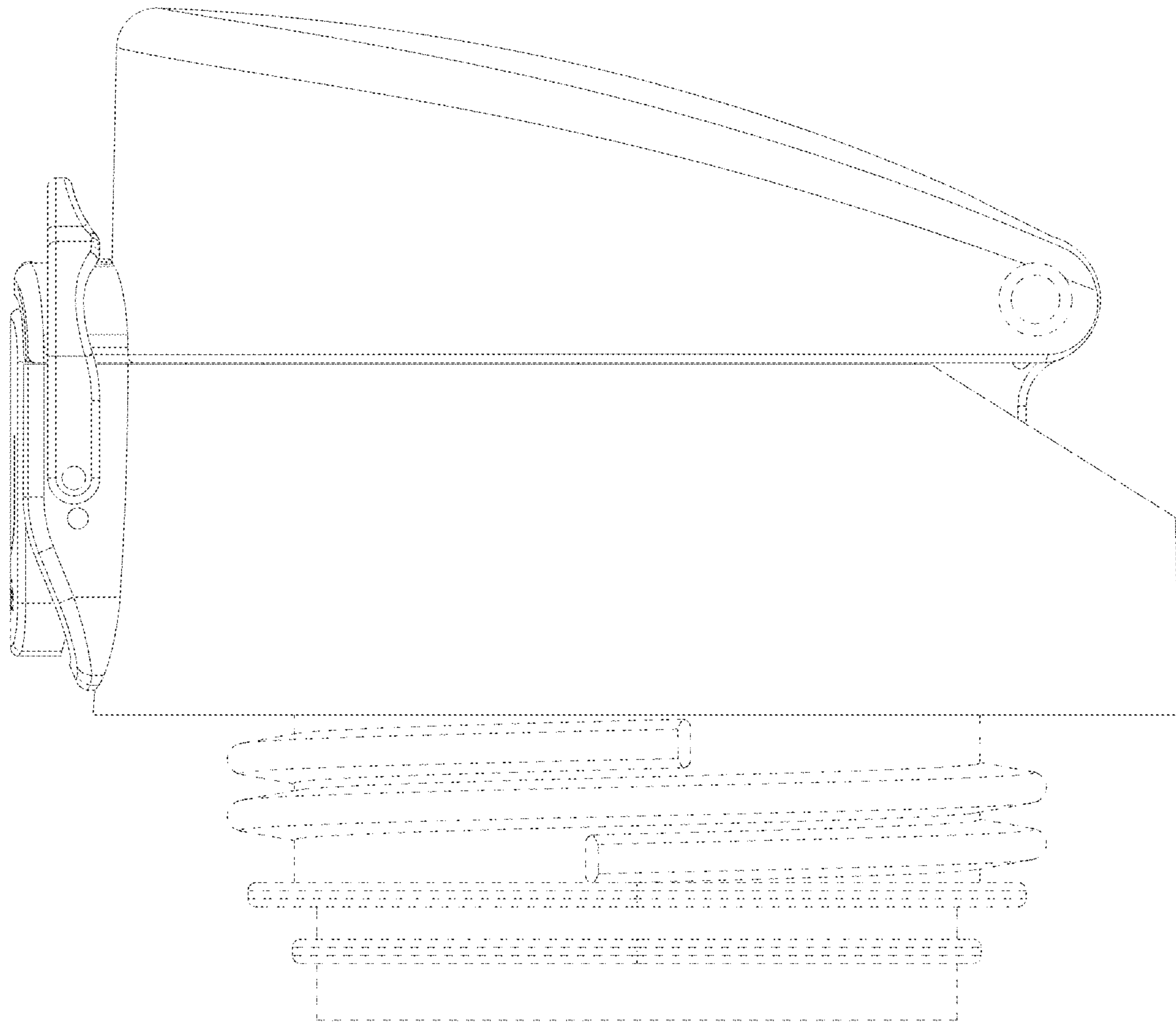


FIG.5



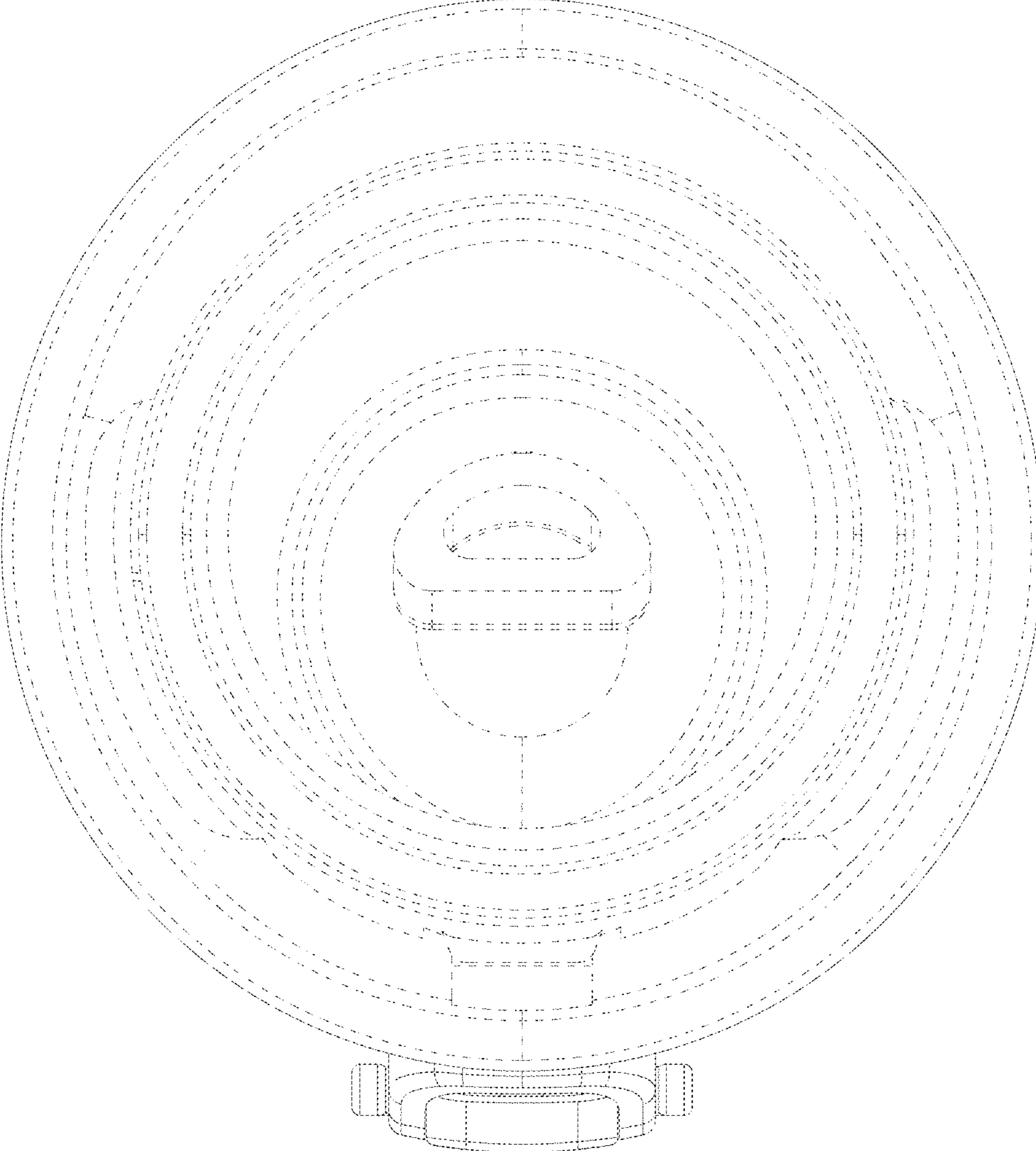


FIG.6

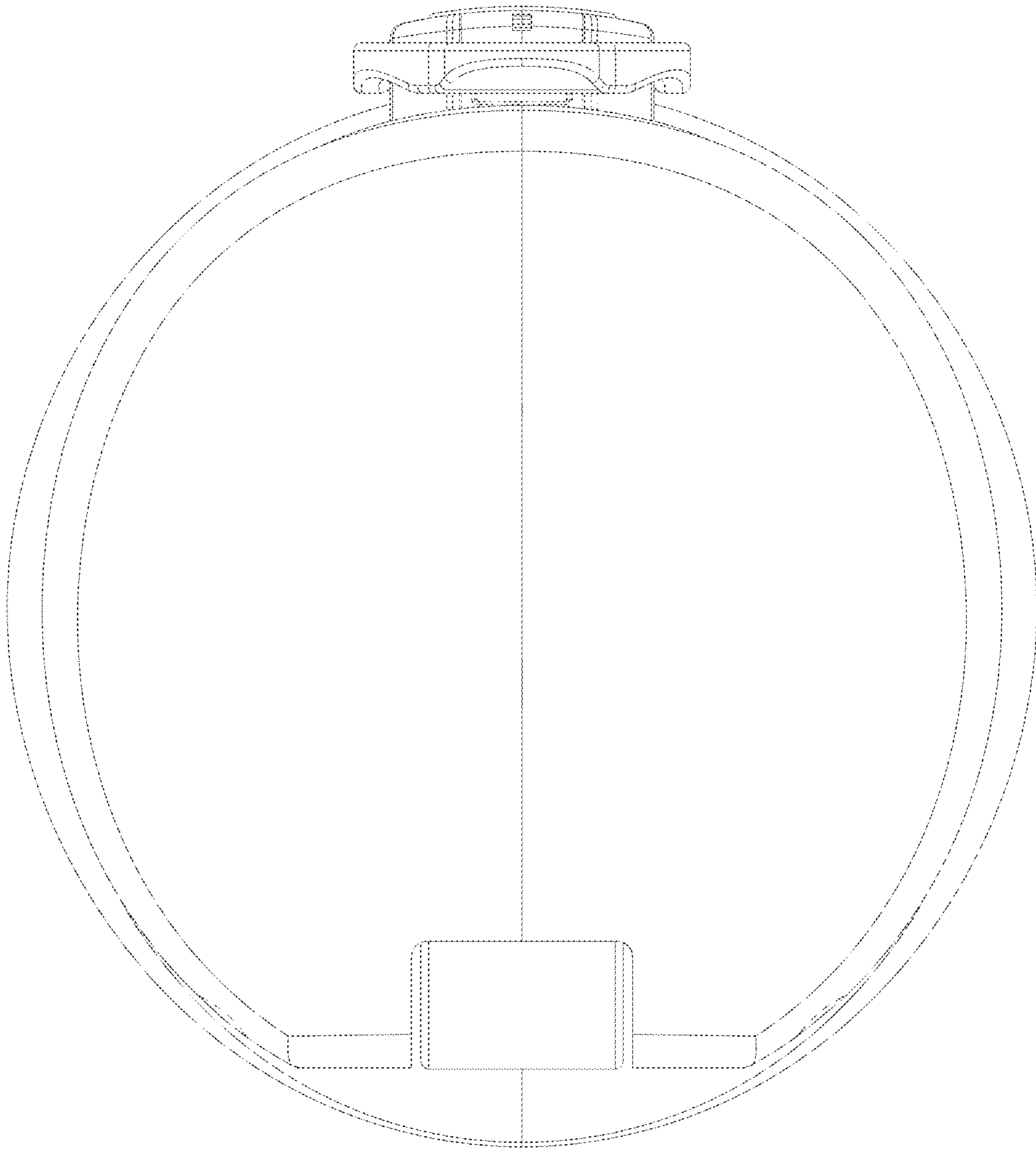


FIG.7