



US00D909809S

(12) **United States Design Patent**
Tawara

(10) **Patent No.:** **US D909,809 S**
(45) **Date of Patent:** **** Feb. 9, 2021**

(54) **CIRCULAR SANDWICH CUTTERS**

(71) Applicant: **Kei Tawara**, Honesdale, PA (US)

(72) Inventor: **Kei Tawara**, Honesdale, PA (US)

(**) Term: **15 Years**

(21) Appl. No.: **29/691,850**

(22) Filed: **May 20, 2019**

(51) **LOC (13) Cl.** **31-00**

(52) **U.S. Cl.**

USPC **D7/381**

(58) **Field of Classification Search**

USPC D7/372, 376-386, 412-413, 602, 629,
D7/665-666, 669, 679, 693-694;
D27/195

CPC A21C 1/02; A21C 1/04; A23N 1/00; A23N
1/02; A24F 5/00; A47J 42/00; A47J
42/14; A47J 42/26; A47J 42/30; A47J
42/34; A47J 43/04; A47J 43/25; A47J
43/27; A47J 43/042; A47J 43/044; A47J
43/046; A47J 43/075; A47J 43/0722;
A47J 43/0727; B01F 3/00; B01F 3/0807;
B01F 3/0853; B01F 13/0059; B01F
13/0064; B02C 1/08; B02C 2/04; B02C
4/42; B02C 4/142; B02C 4/143; B02C
4/423; B02C 13/1835; B02C 18/16; B02C
18/24; B28C 5/10; B28C 5/12; B28C
5/14; B28C 5/16

See application file for complete search history.

(56) **References Cited**

U.S. PATENT DOCUMENTS

7,422,170 B2 * 9/2008 Bao B02C 18/24
241/168
9,198,541 B2 * 12/2015 Smith A47J 43/25

D759,438 S * 6/2016 Dukat D7/679
D804,093 S * 11/2017 Chen D27/195
10,015,985 B1 * 7/2018 Blakely, III A24F 5/00
10,617,258 B2 * 4/2020 Moneta A47J 42/14
2013/0214068 A1 * 8/2013 Camitta B02C 18/24
241/25
2016/0100715 A1 * 4/2016 Staiano A47J 42/00
241/79
2016/0106262 A1 * 4/2016 Mroue A47J 42/30
241/79
2016/0270597 A1 * 9/2016 Walczak A47J 42/26
2018/0126386 A1 * 5/2018 Witko B02C 18/16
2018/0206675 A1 * 7/2018 Mennillo A47J 42/14
2019/0269278 A1 * 9/2019 Neury A47J 42/34

* cited by examiner

Primary Examiner — Ricky Pham

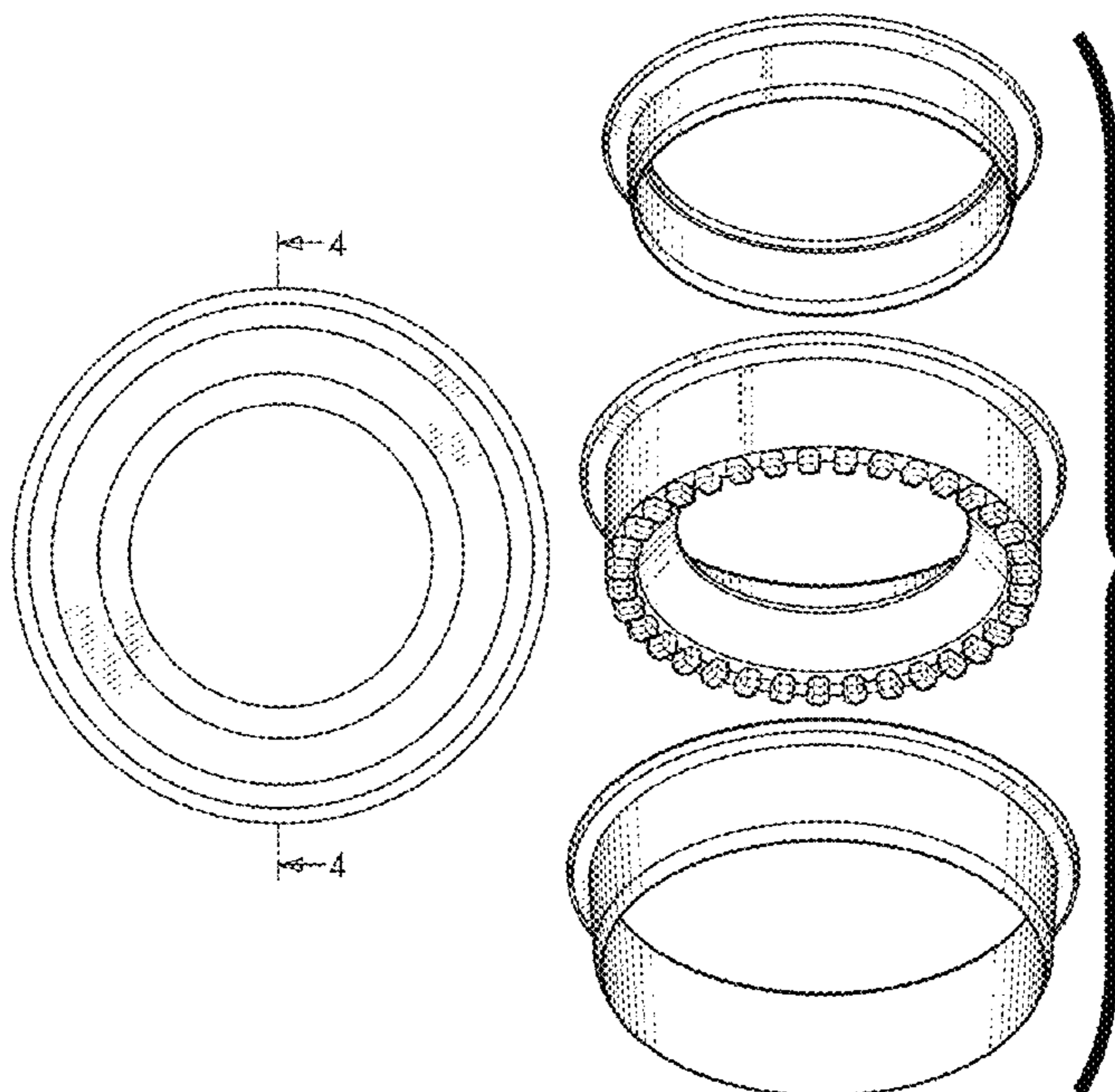
(57) **CLAIM**

The ornamental design for a circular sandwich cutters, as shown and described.

DESCRIPTION

FIG. 1 is a top view of a circular sandwich cutters showing my new design;
FIG. 2 is a bottom view thereof;
FIG. 3 is a side view, all other sides being identical thereof;
FIG. 4 is a cross-sectional view taken through line 4-4 of FIG. 1 thereof;
FIG. 5 is a top perspective view thereof;
FIG. 6 is a bottom perspective view thereof;
FIG. 7 is a top exploded view thereof; and,
FIG. 8 is a bottom exploded view thereof.

1 Claim, 5 Drawing Sheets



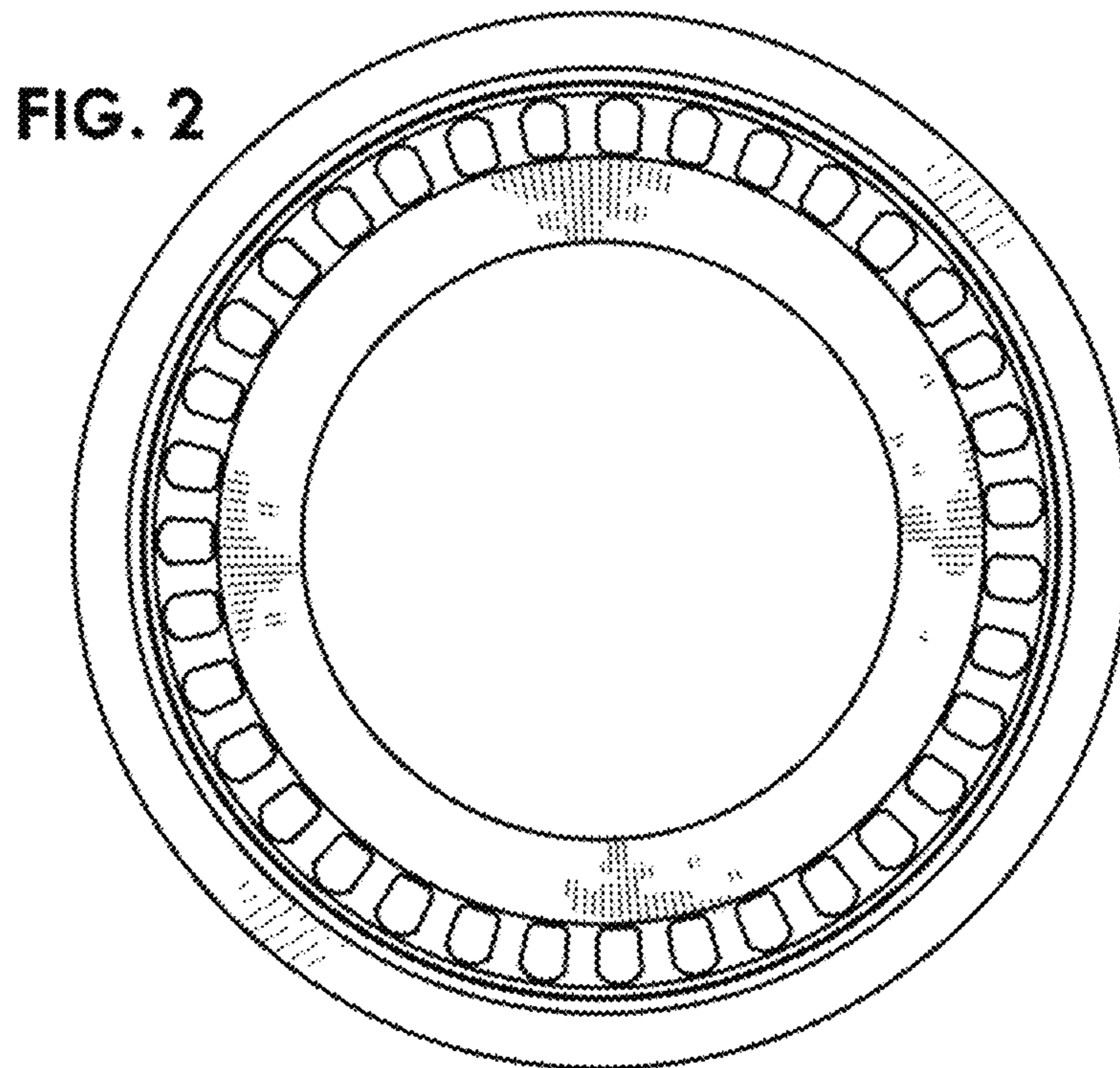
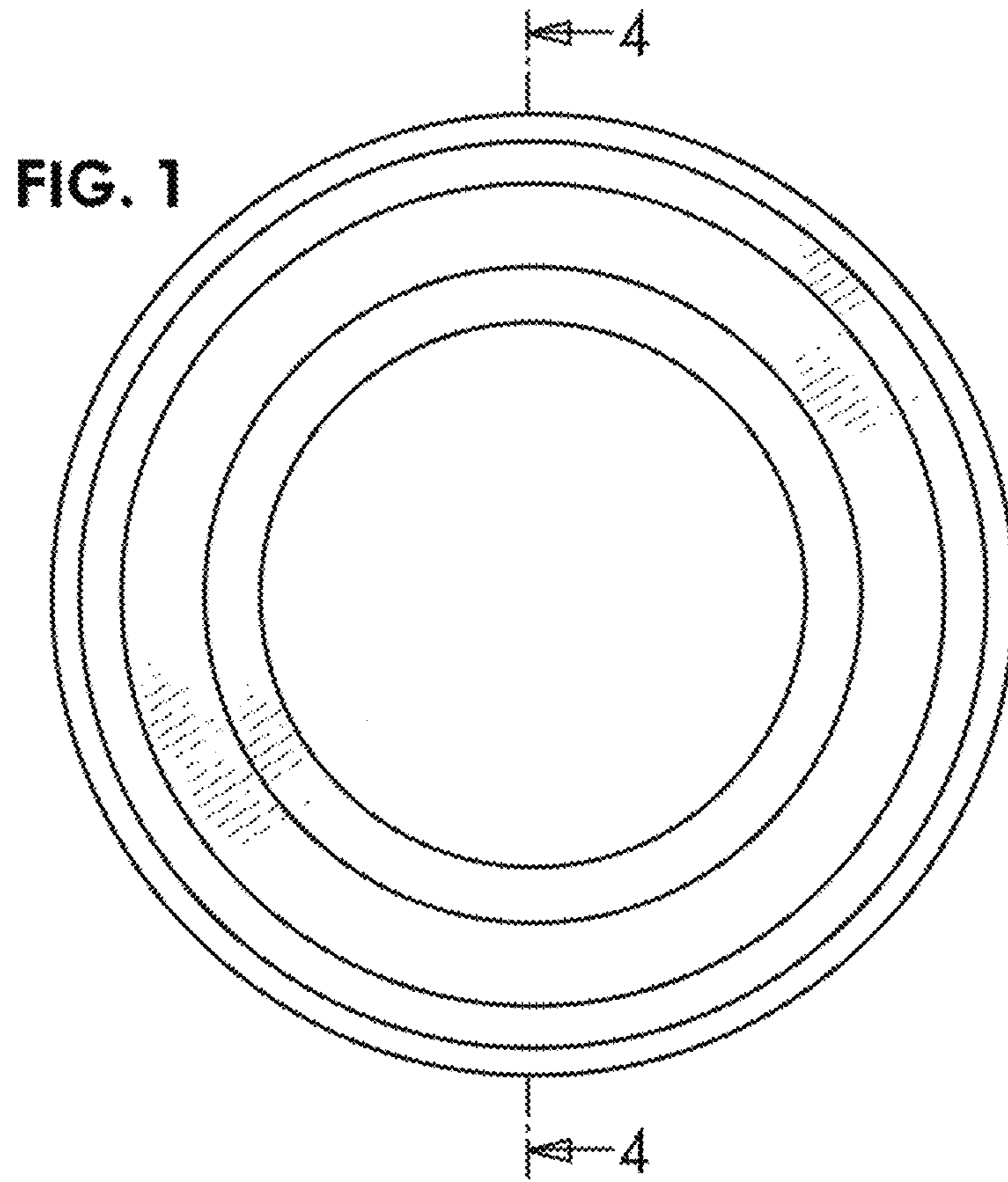


FIG. 3

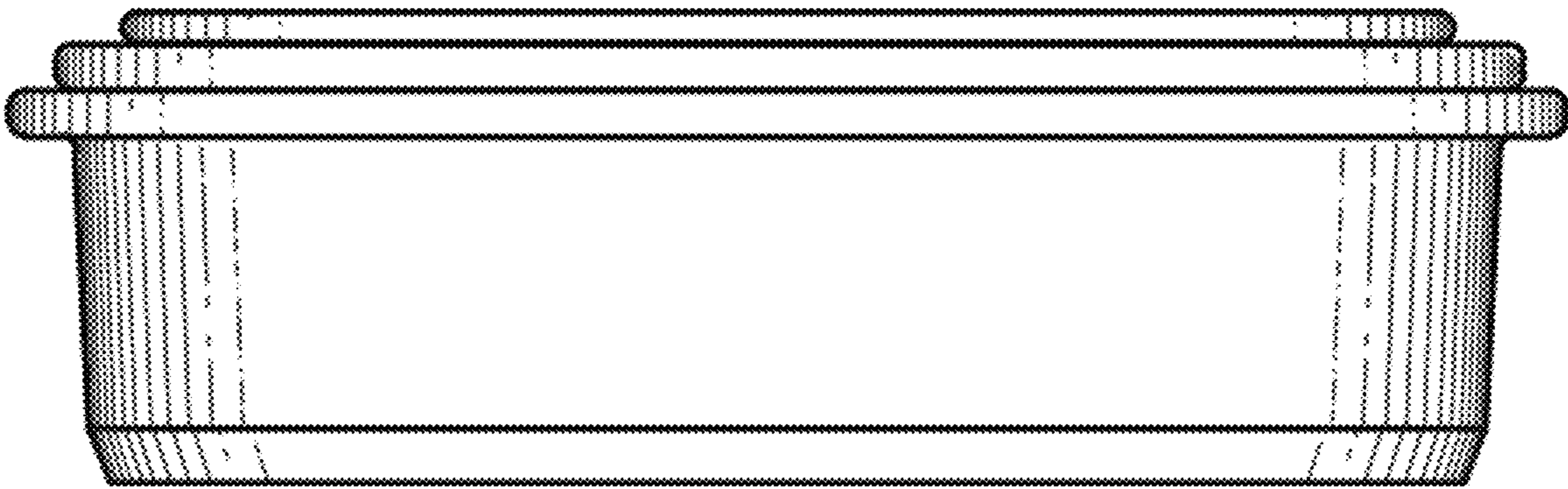


FIG. 4

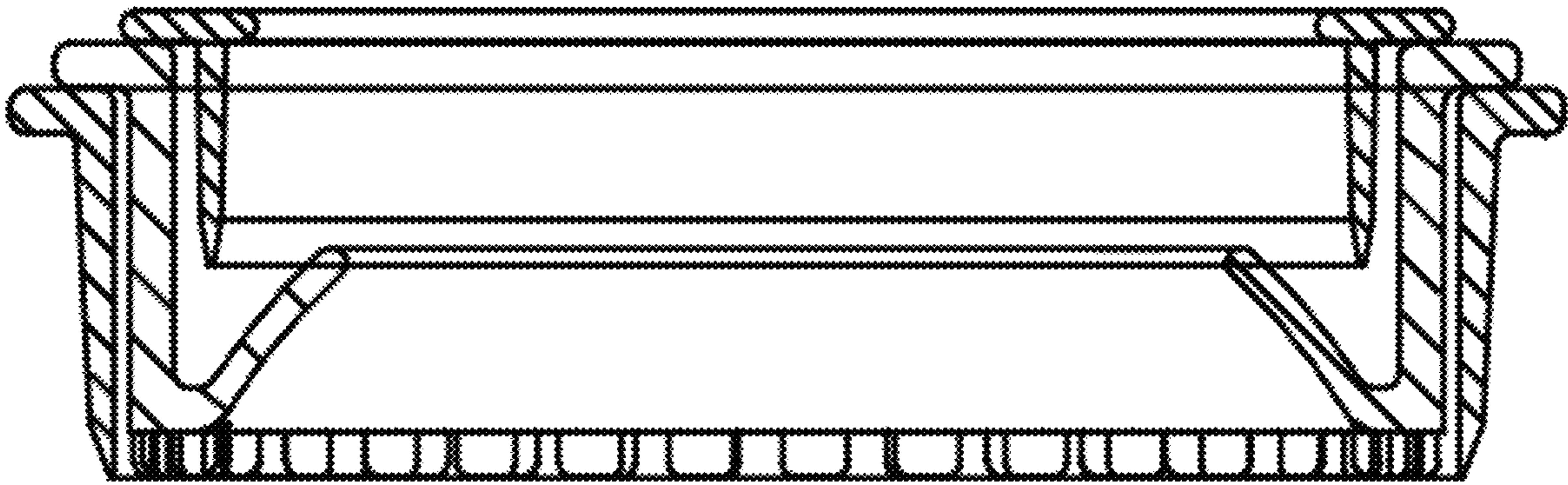


FIG. 5

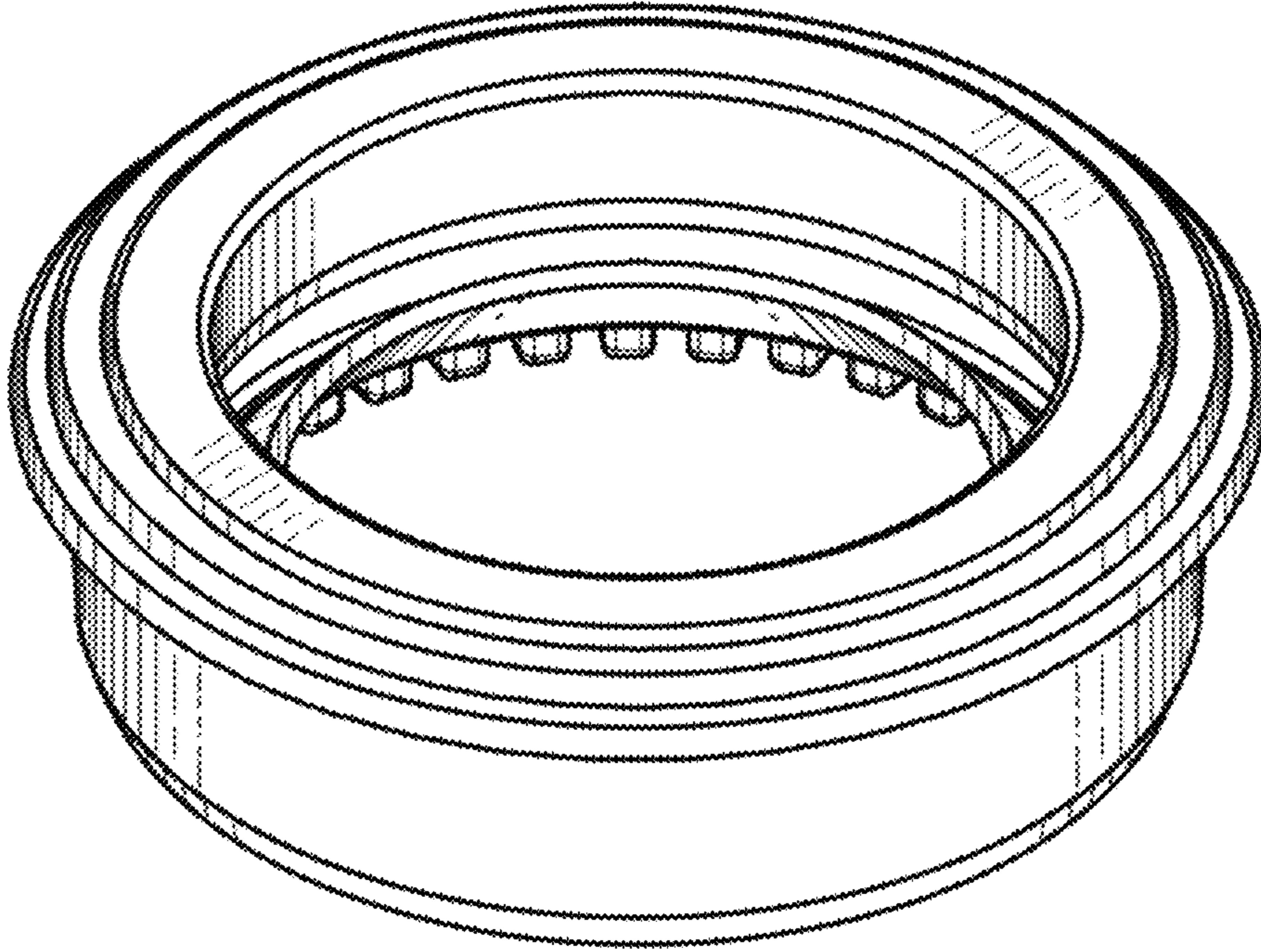


FIG. 6

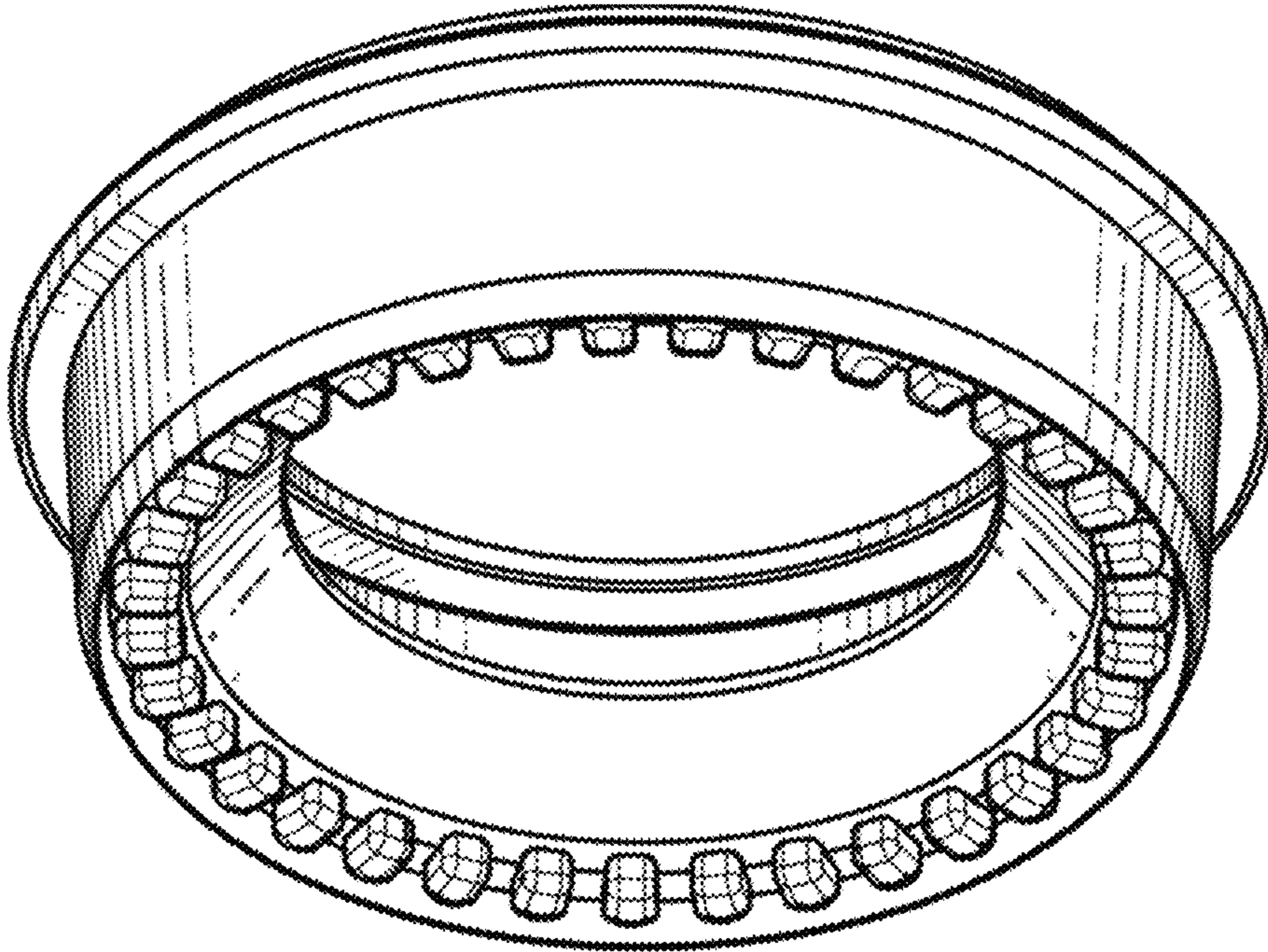


FIG. 7

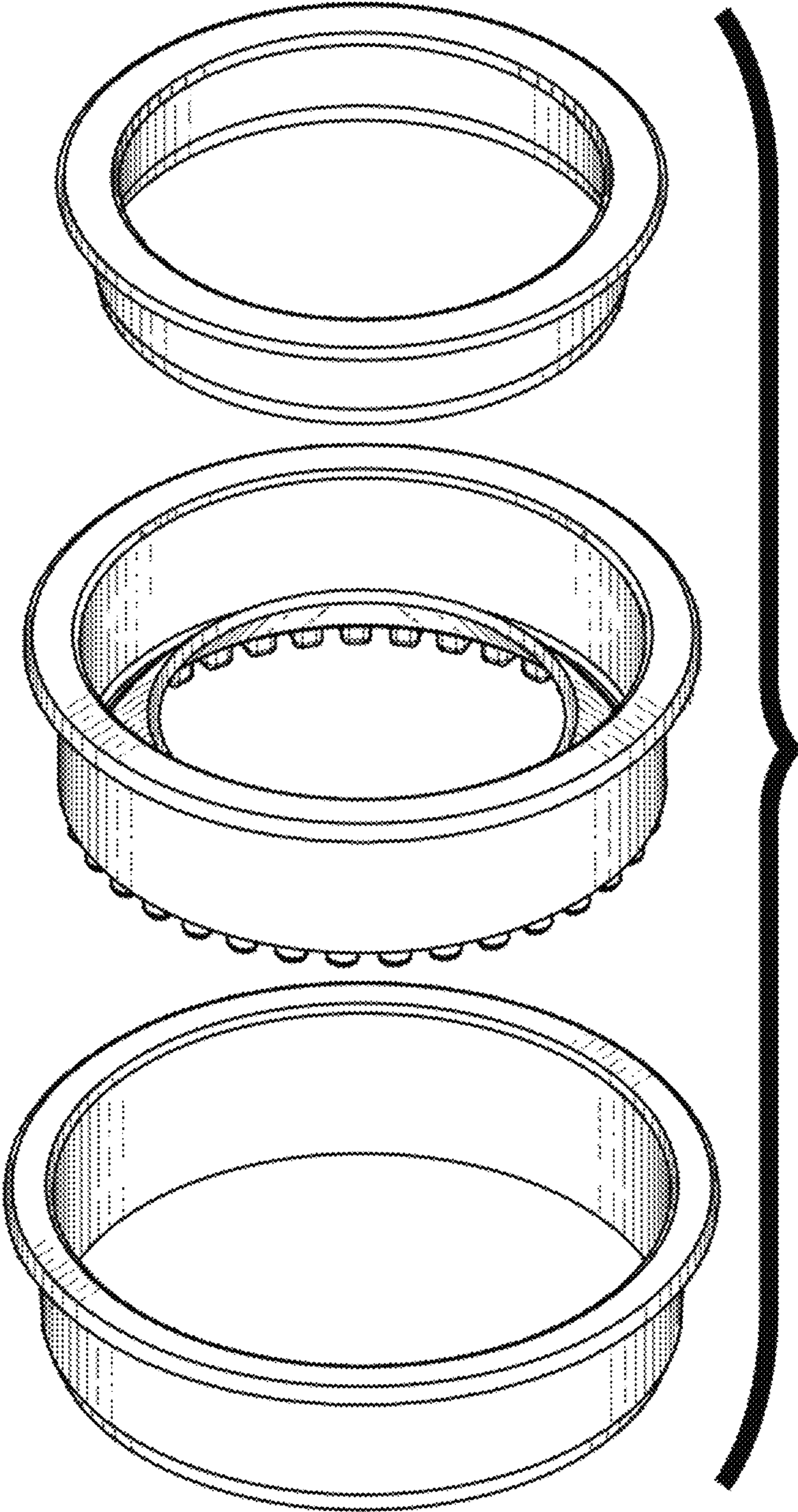


FIG. 8

