



US00D909807S

(12) **United States Design Patent** (10) **Patent No.:** **US D909,807 S**
Xu et al. (45) **Date of Patent:** **** Feb. 9, 2021**

(54) **MICROWAVE OVEN**
(71) Applicant: **BEIJING XIAOMI MOBILE SOFTWARE CO., LTD.**, Beijing (CN)
(72) Inventors: **Bo Xu**, Beijing (CN); **Ningning Li**, Beijing (CN); **Weihung Hung**, Beijing (CN)
(73) Assignee: **BEIJING XIAOMI MOBILE SOFTWARE CO., LTD.**, Beijing (CN)
(**) Term: **15 Years**

D302,927 S * 8/1989 Yoshida D7/351
D304,542 S * 11/1989 Yoo D7/351
D312,553 S * 12/1990 Komar D7/351
D318,396 S * 7/1991 Jung D7/351
D356,006 S * 3/1995 Saimen D7/351
D613,990 S * 4/2010 Baek D7/351
D615,804 S * 5/2010 Baek D7/351
D626,370 S * 11/2010 Baek D7/351
D633,327 S * 3/2011 Kim D7/351
D633,328 S * 3/2011 Shin D7/351
D675,475 S * 2/2013 Yoon D7/351
D693,167 S * 11/2013 Kim D7/351
D707,074 S * 6/2014 Shin D7/351
D717,580 S * 11/2014 Bryant D7/351
D773,233 S * 12/2016 Suh D7/351

(Continued)

(21) Appl. No.: **35/507,927**
(22) Filed: **Sep. 3, 2019**

Primary Examiner — Robert M. Spear
(74) *Attorney, Agent, or Firm* — Dickinson Wright PLLC

(80) **Hague Agreement Data**
Int. Filing Date: **Sep. 3, 2019**
Int. Reg. No.: **DM/204297**
Int. Reg. Date: **Sep. 3, 2019**
Int. Reg. Pub. Date: **Nov. 29, 2019**

(57) **CLAIM**

The ornamental design for a microwave oven, as shown and described.

(30) **Foreign Application Priority Data**

Mar. 4, 2019 (CN) 2019 3 0084971

(51) **LOC (13) Cl.** **07-02**
(52) **U.S. Cl.**
USPC **D7/351**

(58) **Field of Classification Search**
USPC D7/323, 339, 347, 348, 349, 350.1, D7/350.3, 351, 405
CPC .. H05B 1/0261; H05B 1/0263; H05B 1/0266; F24C 3/00; F24C 3/002; F24C 3/008; F24C 5/00; F24C 7/00; F24C 15/02; F24C 15/024
See application file for complete search history.

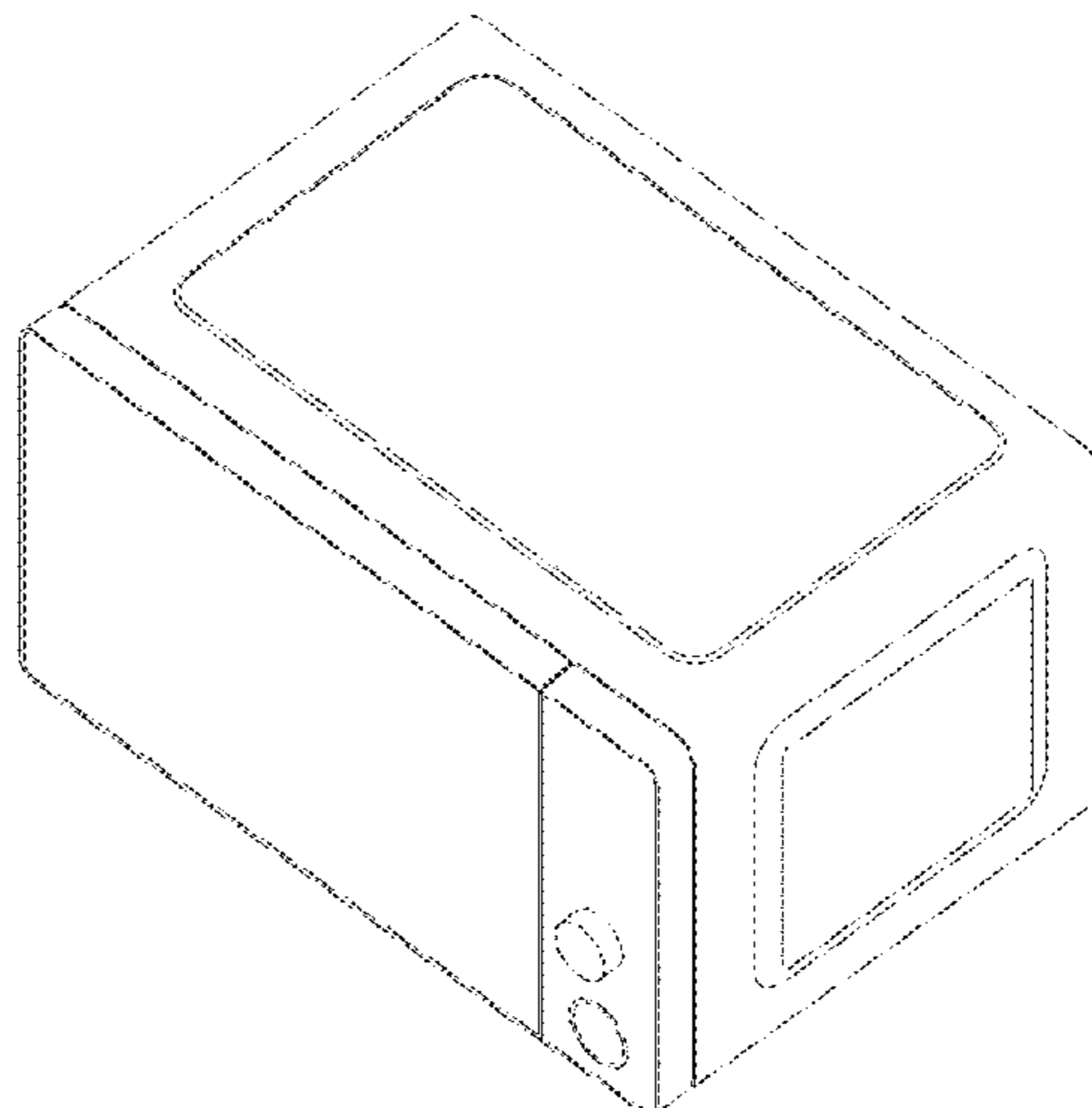
DESCRIPTION

1. Microwave oven
1.1 : Front
1.2 : Back
1.3 : Left
1.4 : Right
1.5 : Top
1.6 : Bottom
1.7 : Perspective
1.1 is a front elevation view of a microwave oven showing our new design; 1.2 is a back elevation view thereof; 1.3 is a left side elevation view thereof; 1.4 is a right side elevation view thereof; 1.5 is a top plan view thereof; 1.6 is a bottom plan view thereof; and 1.7 is a perspective view thereof; besides, the microwave oven incorporating the new design is mainly used for cooking or heating food.

(56) **References Cited**
U.S. PATENT DOCUMENTS

D285,893 S * 9/1986 Mizuma D7/351
D297,392 S * 8/1988 Han D7/351

1 Claim, 7 Drawing Sheets



(56)

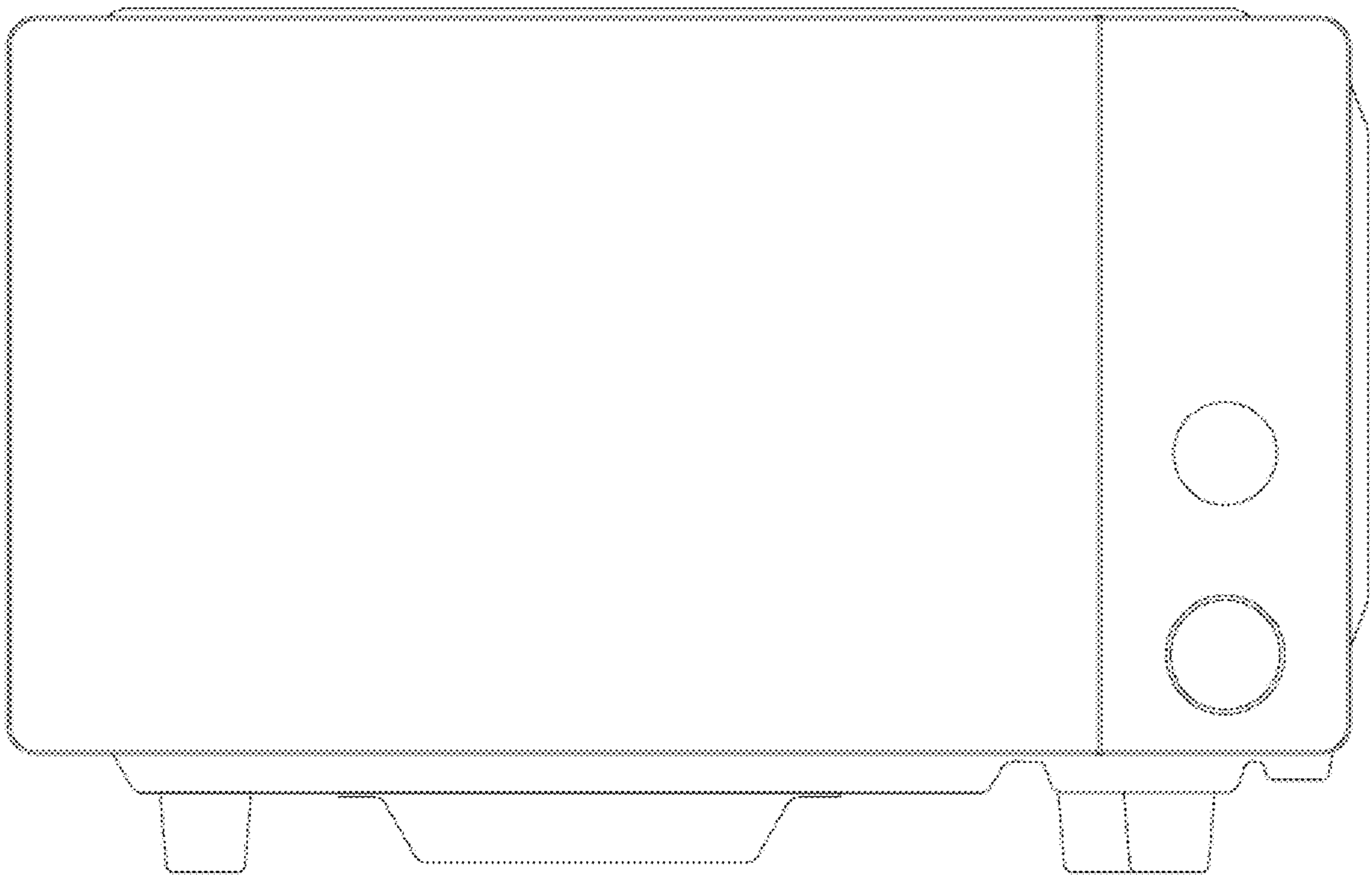
References Cited

U.S. PATENT DOCUMENTS

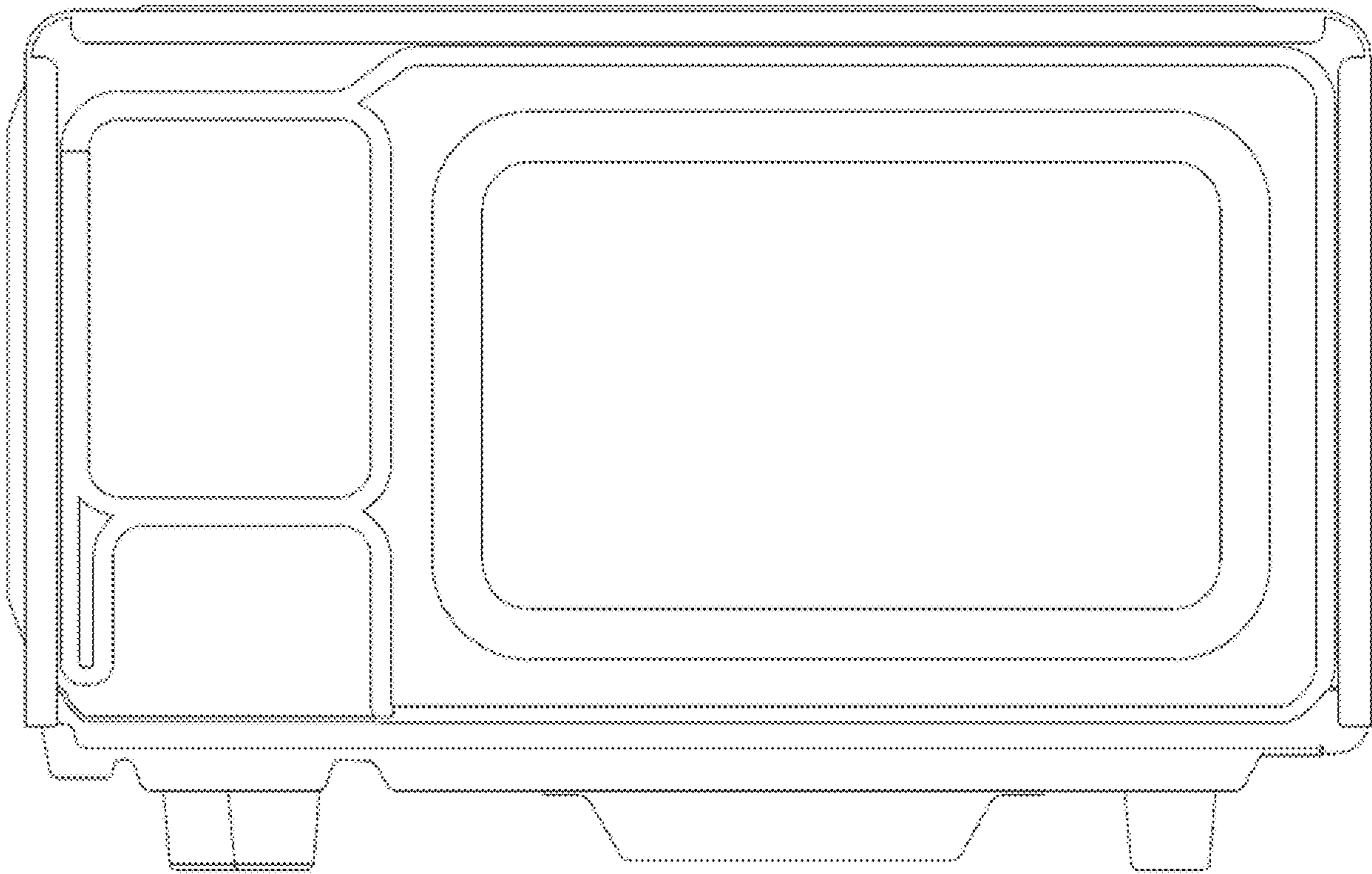
D773,234	S	*	12/2016	Suh	D7/351
D828,073	S	*	9/2018	Kang	D7/351
D836,376	S	*	12/2018	Kim	D7/351
D836,377	S	*	12/2018	Kim	D7/351
D836,378	S	*	12/2018	Kim	D7/351
D843,160	S	*	3/2019	Kang	D7/351

* cited by examiner

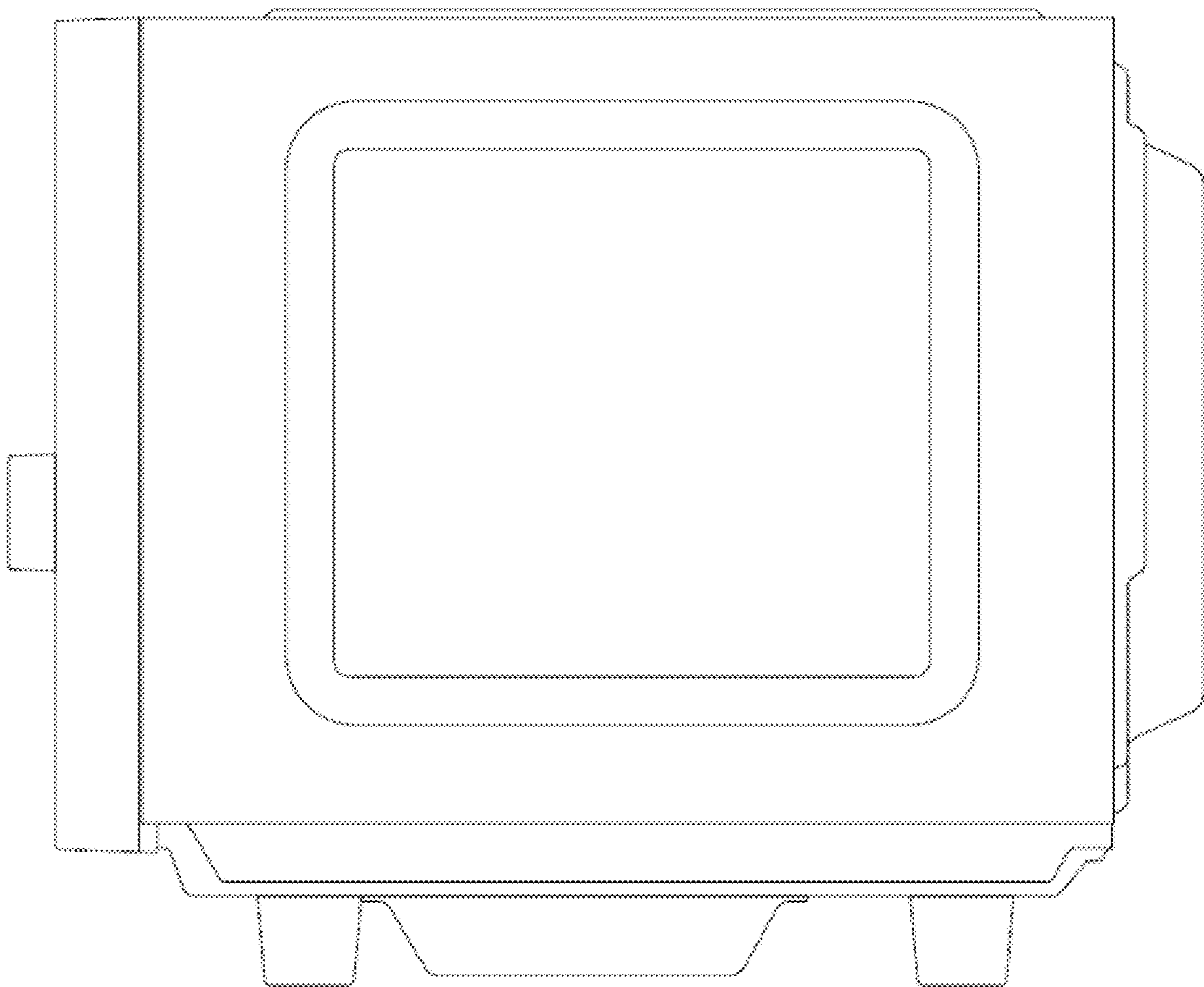
1.1



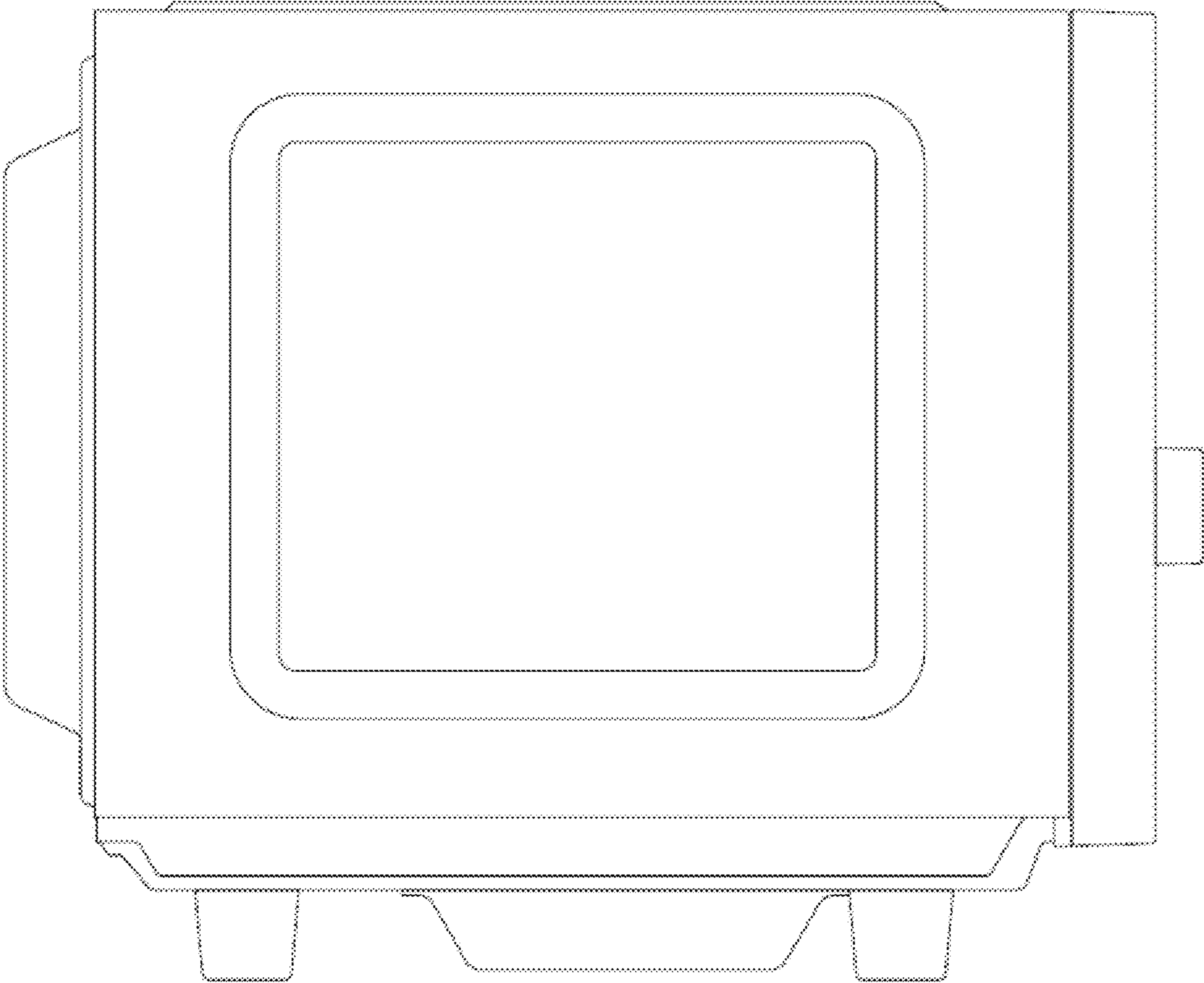
1.2



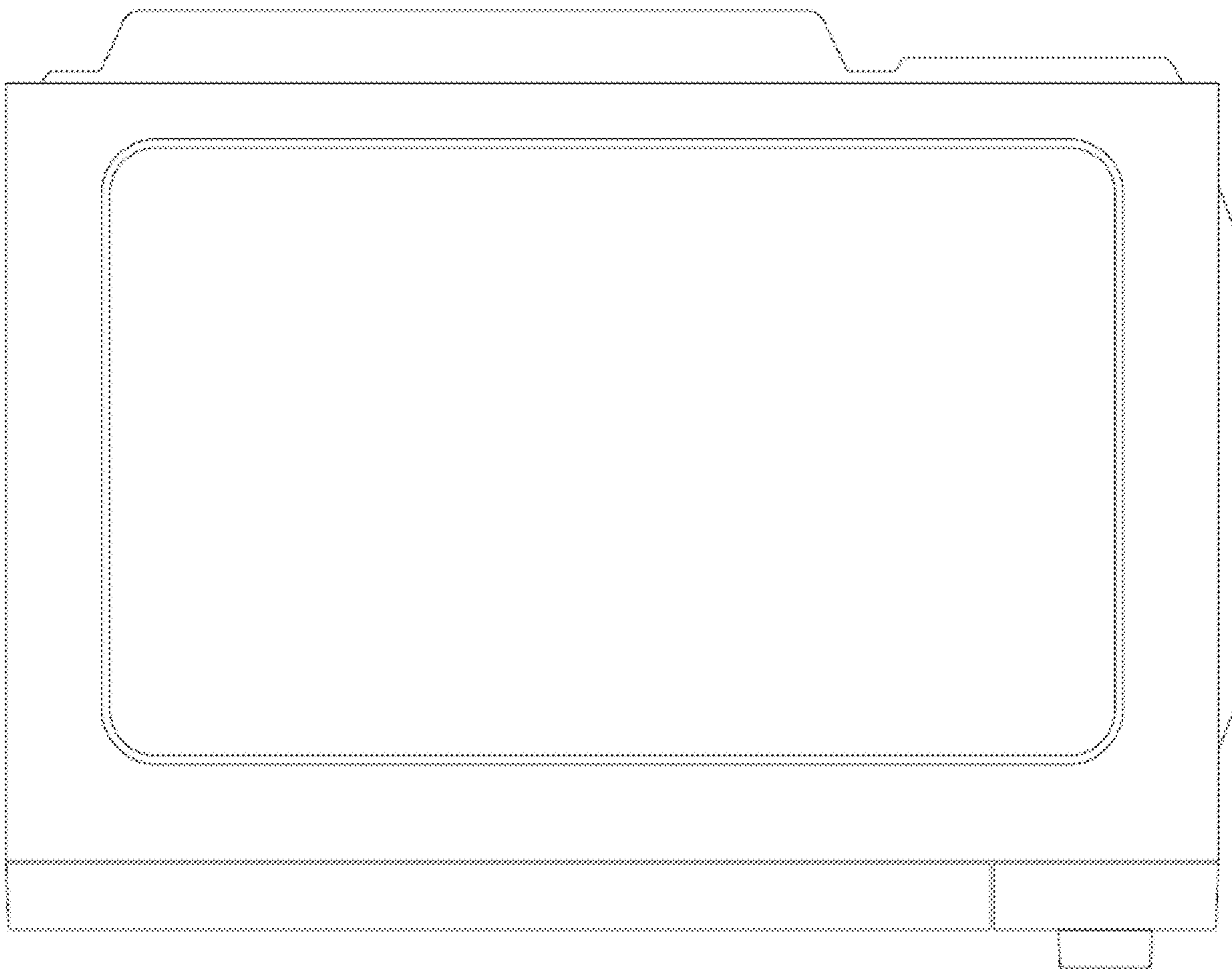
1.3



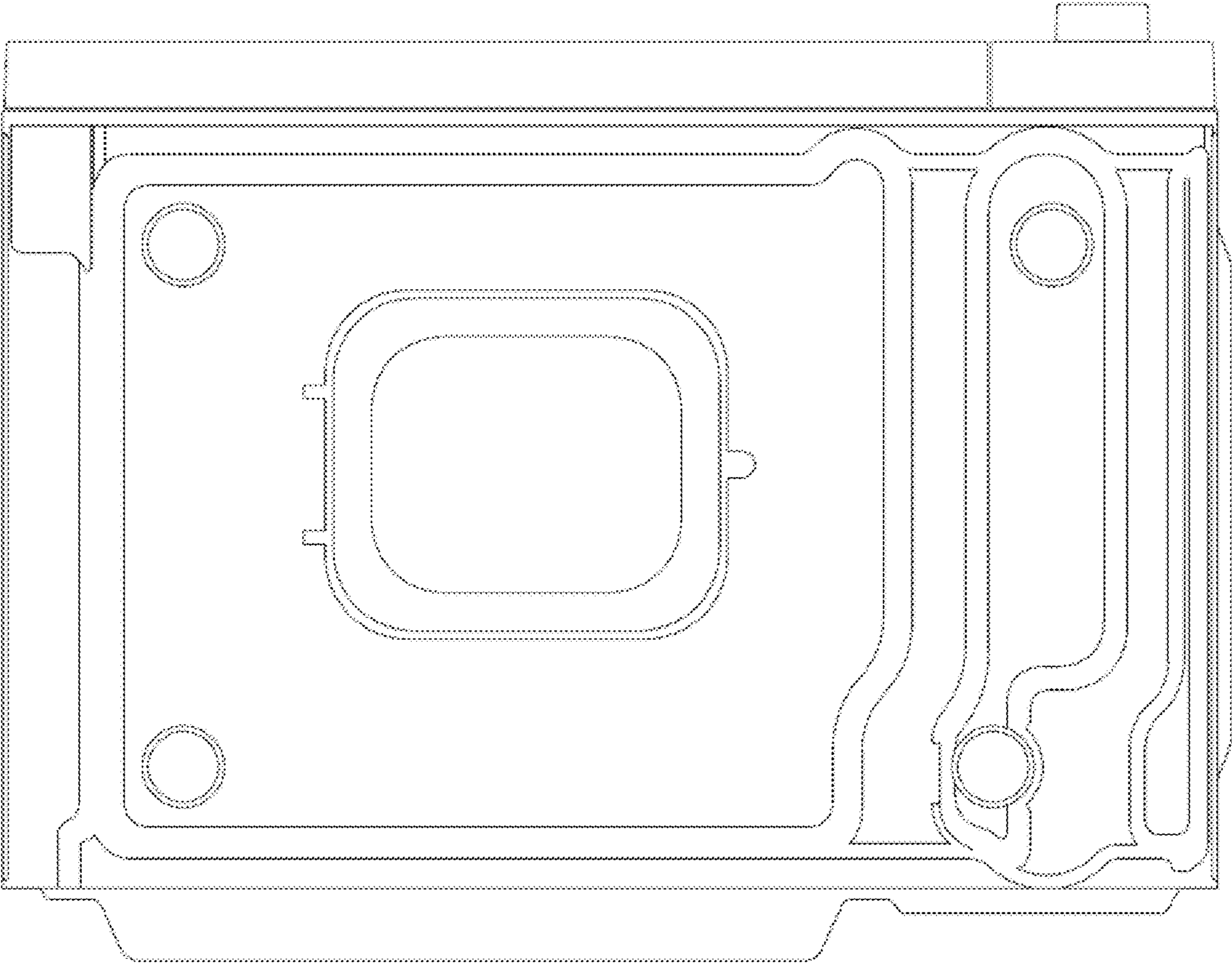
1.4



1.5



1.6



1.7

