



US00D909806S

(12) **United States Design Patent**  
**Hu**

(10) **Patent No.:** **US D909,806 S**

(45) **Date of Patent:** **\*\* Feb. 9, 2021**

(54) **OVEN**

(71) Applicants: **GUANGDONG MIDEA KITCHEN APPLIANCES MANUFACTURING CO., LTD.**, Foshan (CN); **MIDEA GROUP CO., LTD.**, Foshan (CN)

(72) Inventor: **Xiaowu Hu**, Foshan (CN)

(\*\*) Term: **15 Years**

(21) Appl. No.: **29/690,403**

(22) Filed: **May 7, 2019**

(30) **Foreign Application Priority Data**

Nov. 8, 2018 (CN) ..... 2018 3 0632078

(51) **LOC (13) Cl.** ..... **07-02**

(52) **U.S. Cl.**  
USPC ..... **D7/350.1**

(58) **Field of Classification Search**  
USPC ..... D7/323, 331, 332, 334, 335, 338, 339, D7/340, 341, 346, 347, 348, 349, 350.1, D7/350.3, 350.4, 351, 362, 363, 364, 365, D7/390, 402-409; D23/314, 322, 323, D23/329, 330, 341; D99/28, 43; D6/672, 675, 702, 703, 559, 663, 699.1, D6/699.2, 699.3, 699.4, 699.5, 705.5  
CPC ..... A47J 37/0641; A47J 37/0629; A47J 37/0664; A47J 37/0676; A47J 2202/00; A47J 37/00; A47J 37/0763; A47J 37/36; H05B 6/12; H05B 6/64; H05B 6/806; H05B 6/6426; H05B 6/6412; A21B 1/52; A21B 1/00; F24C 15/08; F24C 15/2042; F27B 2014/0837; F27D 9/00; F27D 2009/0018; F27D 2009/004; F23D 14/02  
See application file for complete search history.

(56) **References Cited**

**U.S. PATENT DOCUMENTS**

D265,716 S \* 8/1982 Necas ..... D7/368  
D330,144 S \* 10/1992 Takebata ..... D7/351

D526,527 S \* 8/2006 Jung ..... D7/348  
D527,572 S \* 9/2006 Lee ..... D7/350.1  
D550,502 S \* 9/2007 Jeon ..... D7/350.1  
D575,978 S \* 9/2008 Borin ..... D7/350.1  
D580,698 S \* 11/2008 Kim ..... D7/348  
D612,207 S \* 3/2010 Baker ..... D7/402  
D627,593 S \* 11/2010 Lee ..... D7/340  
D633,330 S \* 3/2011 Baek ..... D7/351  
D644,309 S \* 8/2011 De'Longhi ..... D7/350.1  
D646,112 S \* 10/2011 Park ..... D7/348  
D646,113 S \* 10/2011 Park ..... D7/348  
D664,388 S \* 7/2012 Park ..... D7/348  
D741,104 S \* 10/2015 Funnell, II ..... D7/348  
D748,424 S \* 2/2016 Funnell, II ..... D7/348  
D772,645 S \* 11/2016 Kim ..... D7/405  
D781,097 S \* 3/2017 Kim ..... D7/348  
D781,635 S \* 3/2017 Koszylko ..... D7/348

(Continued)

*Primary Examiner* — Catherine S Posthauer

(74) *Attorney, Agent, or Firm* — Kilpatrick Townsend & Stockton, LLP

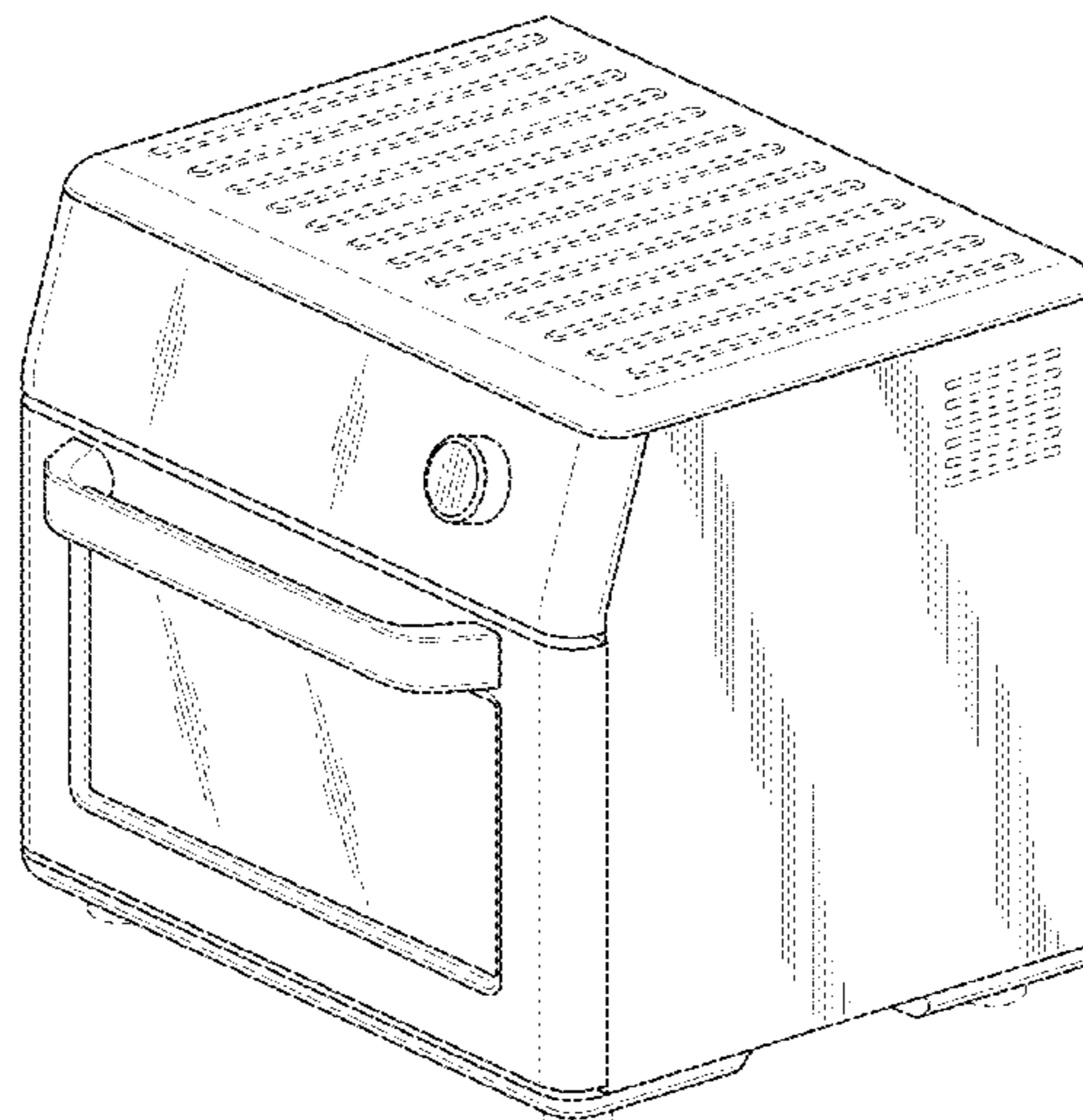
(57) **CLAIM**

The ornamental design for an oven, as shown and described.

**DESCRIPTION**

FIG. 1 is a perspective view of an oven, showing my new design;  
FIG. 2 is a front elevation view thereof;  
FIG. 3 is a rear elevation view thereof;  
FIG. 4 is a top plan view thereof;  
FIG. 5 is a bottom plan view thereof;  
FIG. 6 is a left side elevation view thereof; and,  
FIG. 7 is a right side elevation view thereof.  
The broken lines are shown for the purpose of illustrating both parts of the article as well as boundaries of the claim. None of the broken lines form part of the claim.

**1 Claim, 4 Drawing Sheets**



(56)

**References Cited**

U.S. PATENT DOCUMENTS

|              |      |         |                |             |
|--------------|------|---------|----------------|-------------|
| D787,879     | S *  | 5/2017  | Kim .....      | D7/348      |
| D836,393     | S *  | 12/2018 | Taccardi ..... | D7/405      |
| D845,564     | S *  | 4/2019  | Tong .....     | D32/2       |
| D869,232     | S *  | 12/2019 | Kim .....      | D7/402      |
| 2016/0058232 | A1 * | 3/2016  | Hoehn .....    | H05B 6/6426 |
|              |      |         |                | 99/403      |
| 2018/0153004 | A1 * | 5/2018  | Jang .....     | H05B 6/766  |
| 2019/0162220 | A1 * | 5/2019  | Penuel .....   | F24C 15/007 |

\* cited by examiner

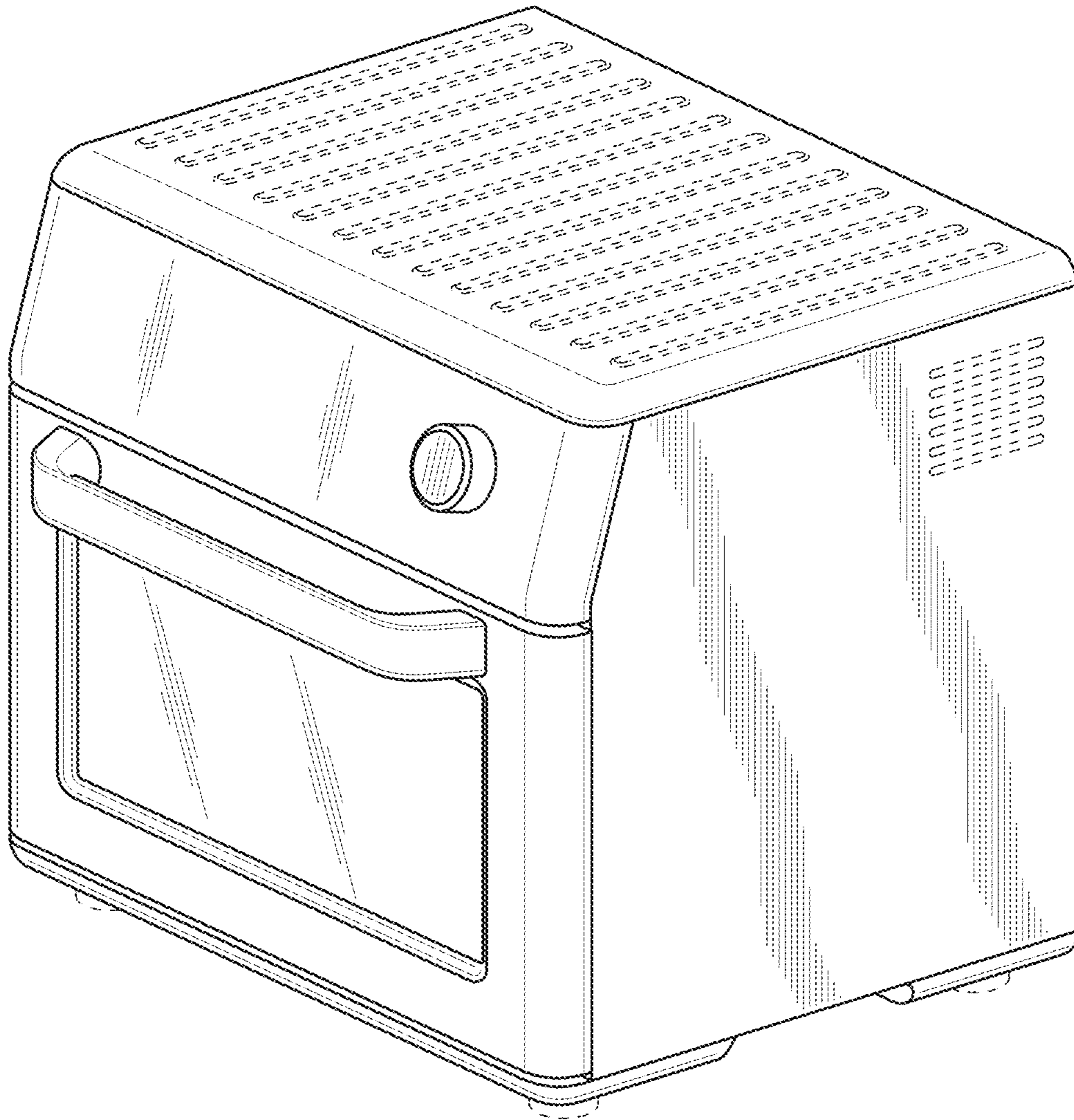


FIG. 1

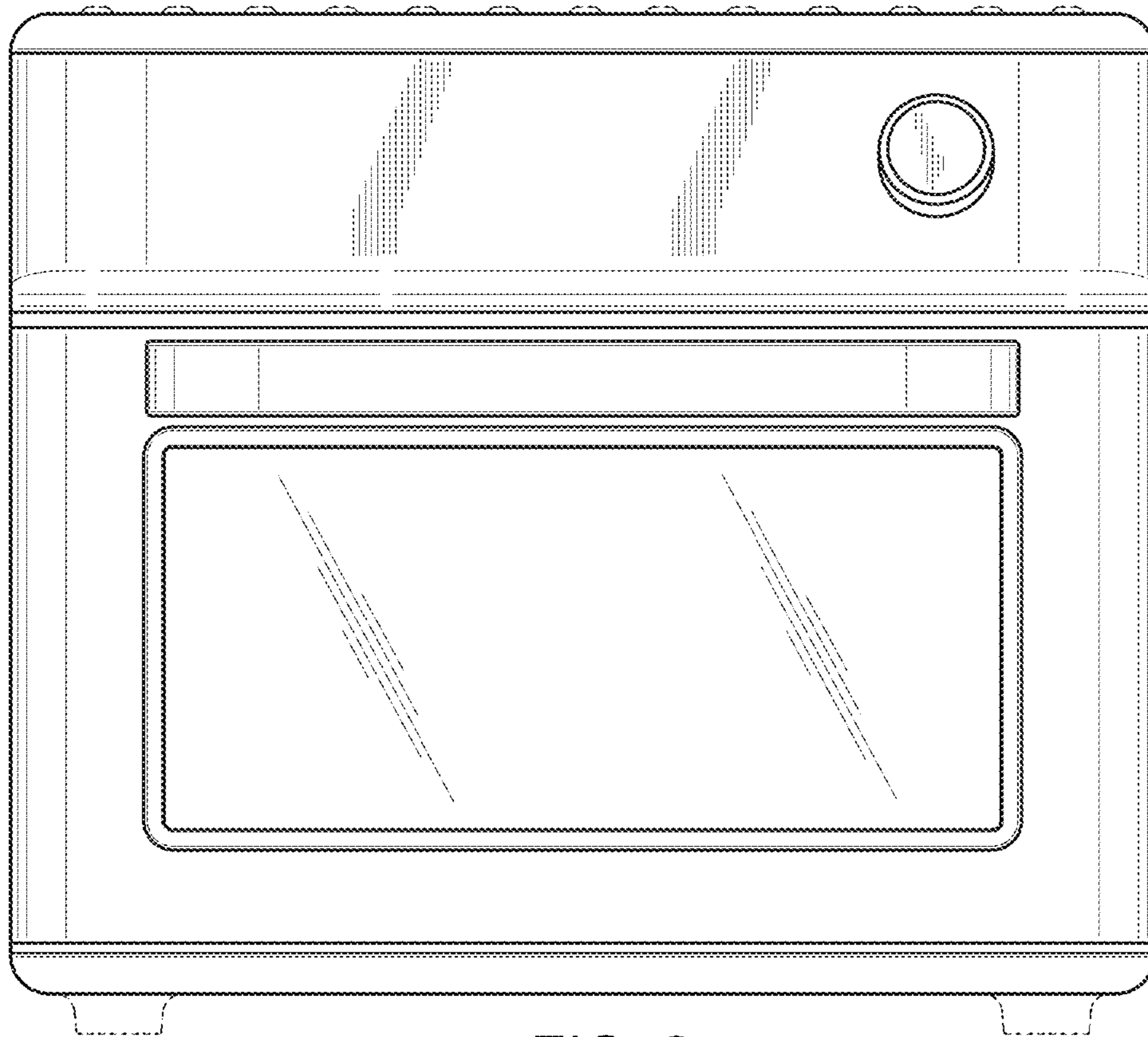


FIG. 2

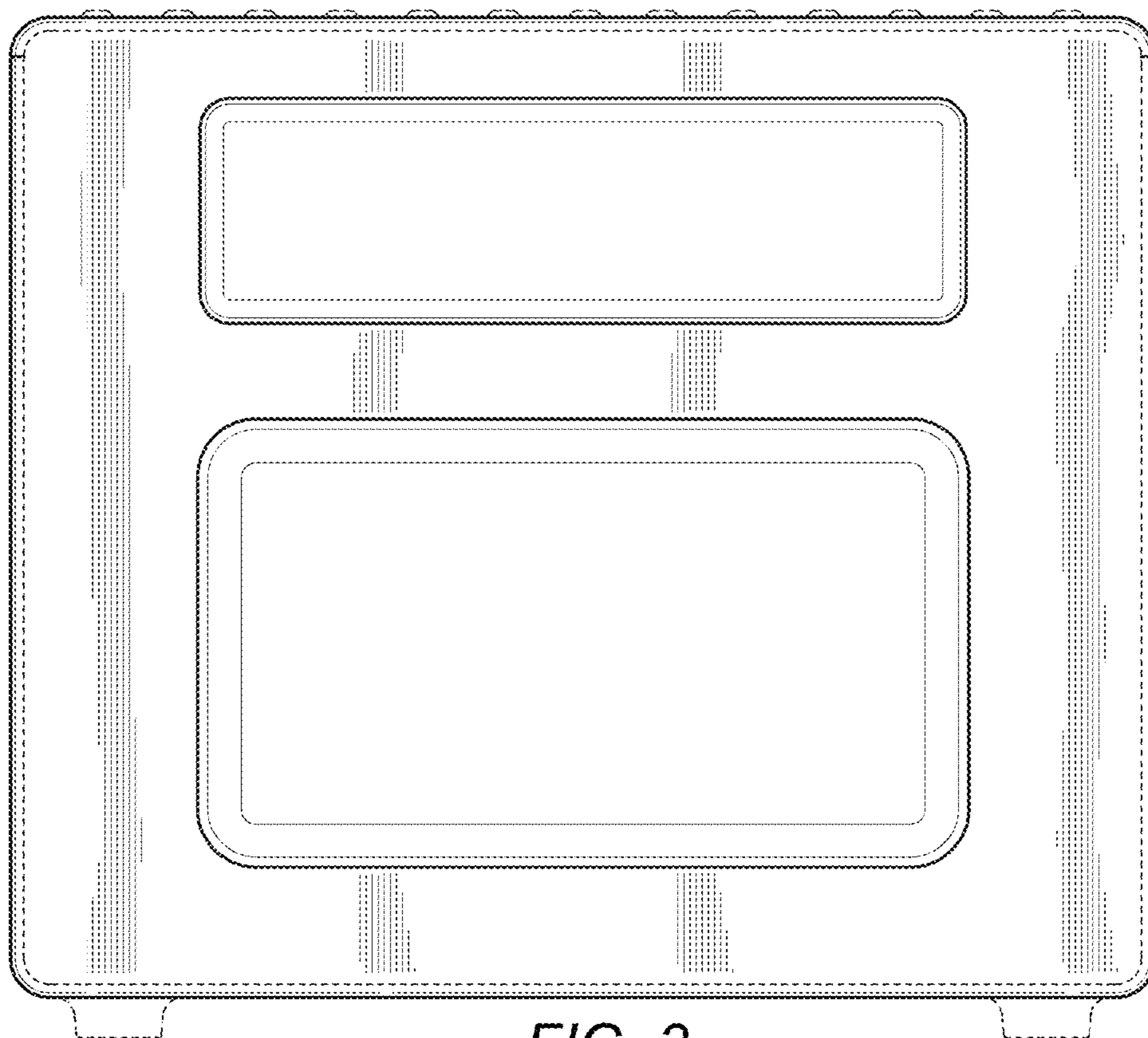


FIG. 3

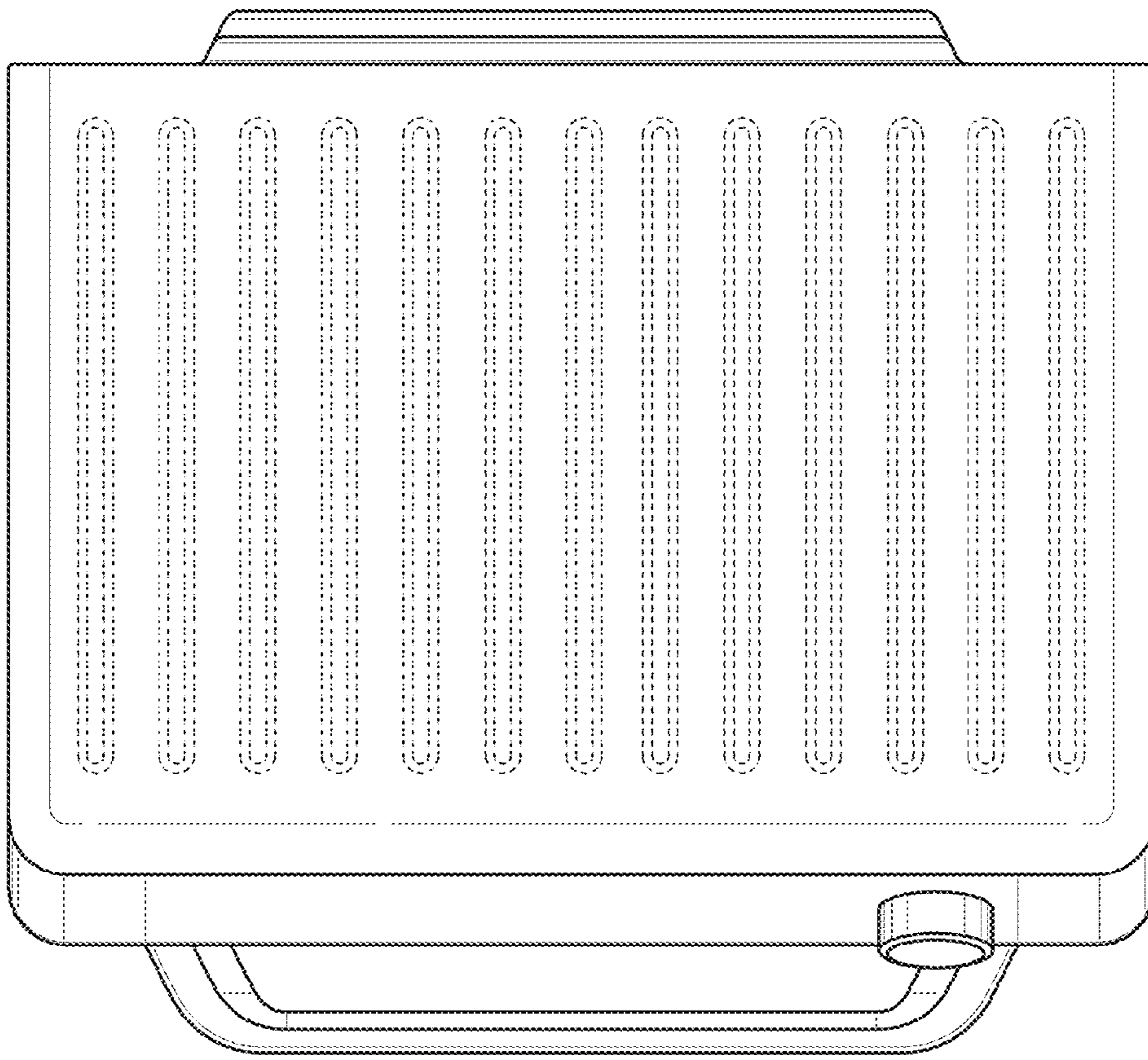


FIG. 4

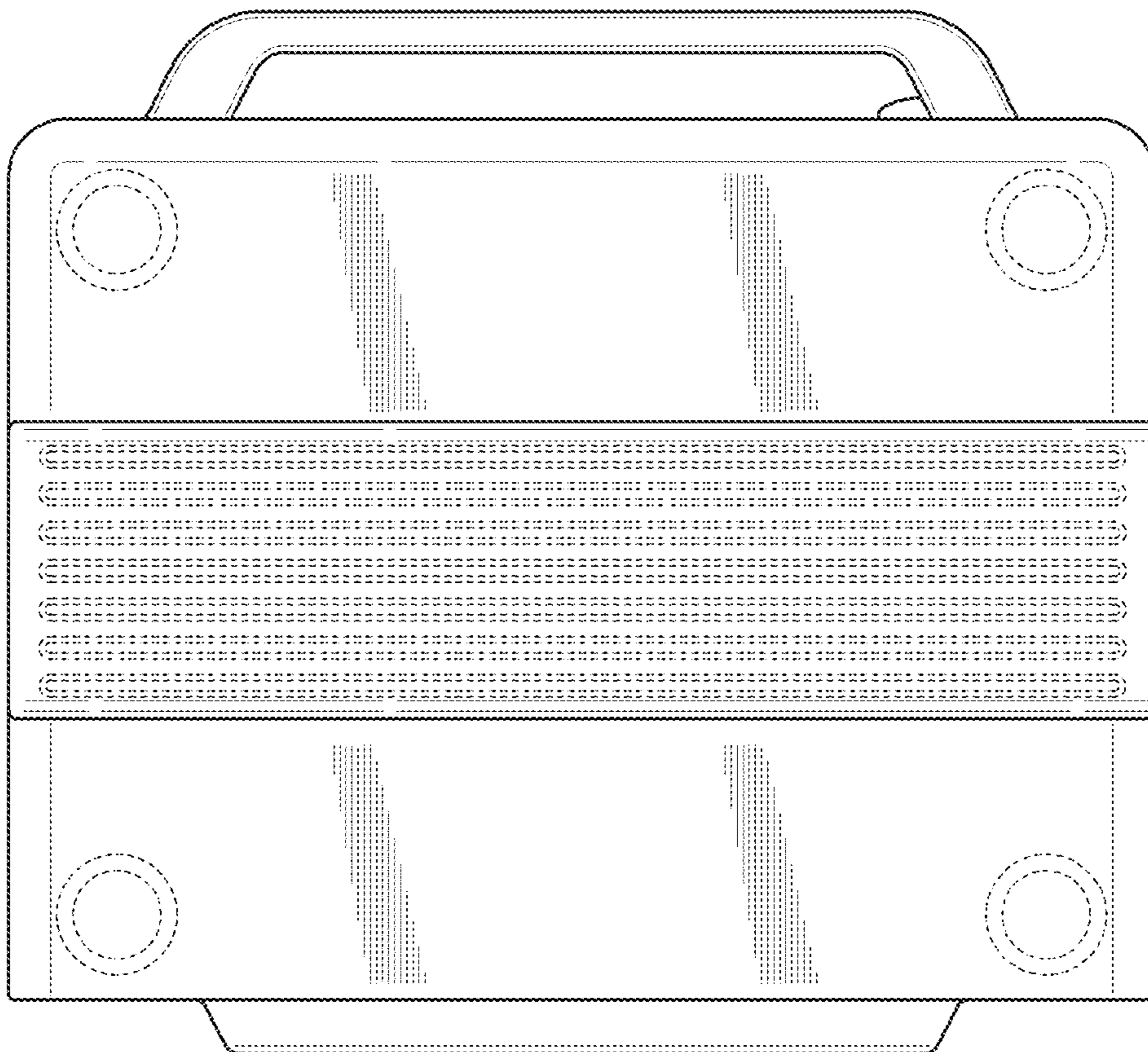


FIG. 5

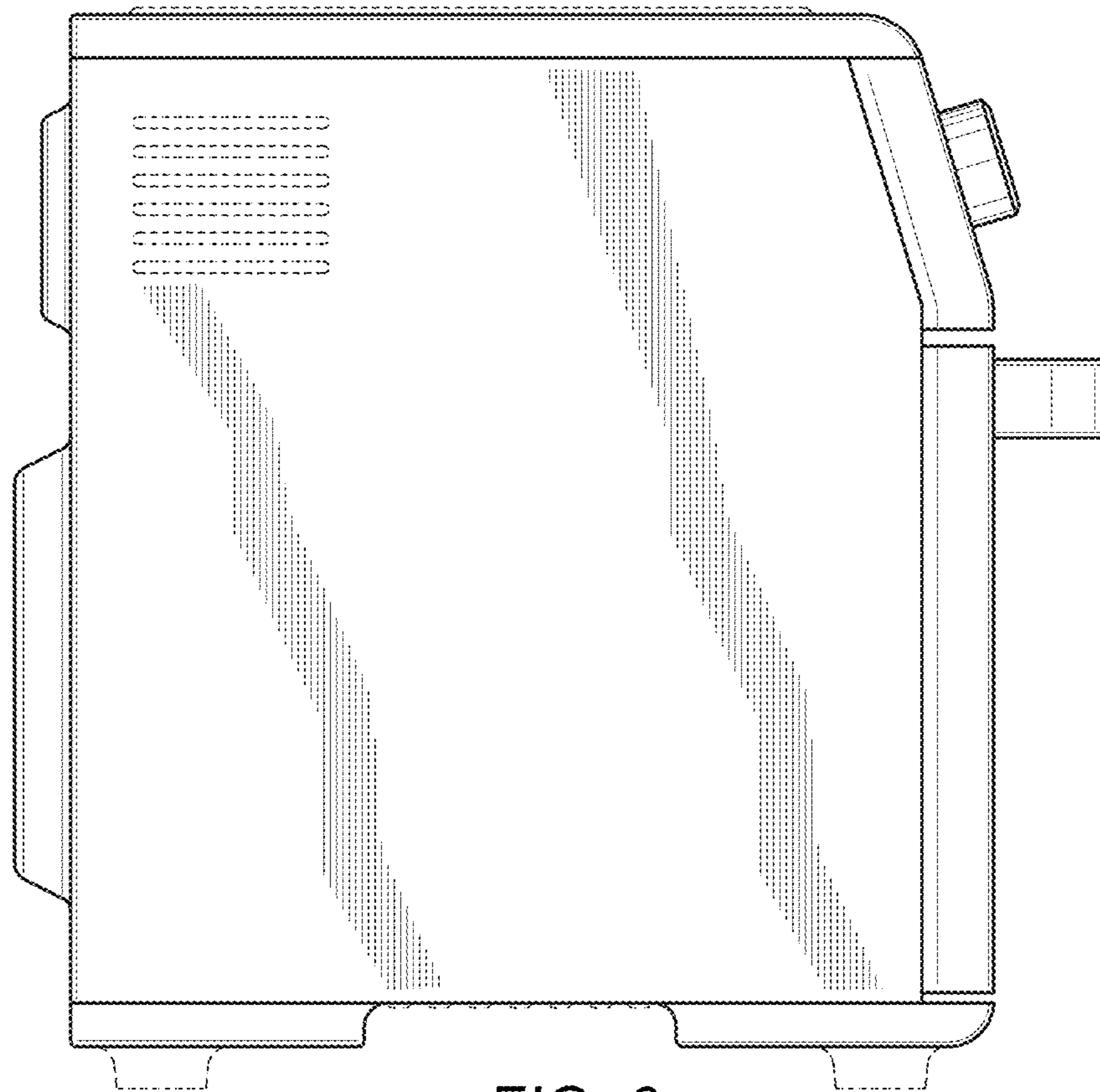


FIG. 6

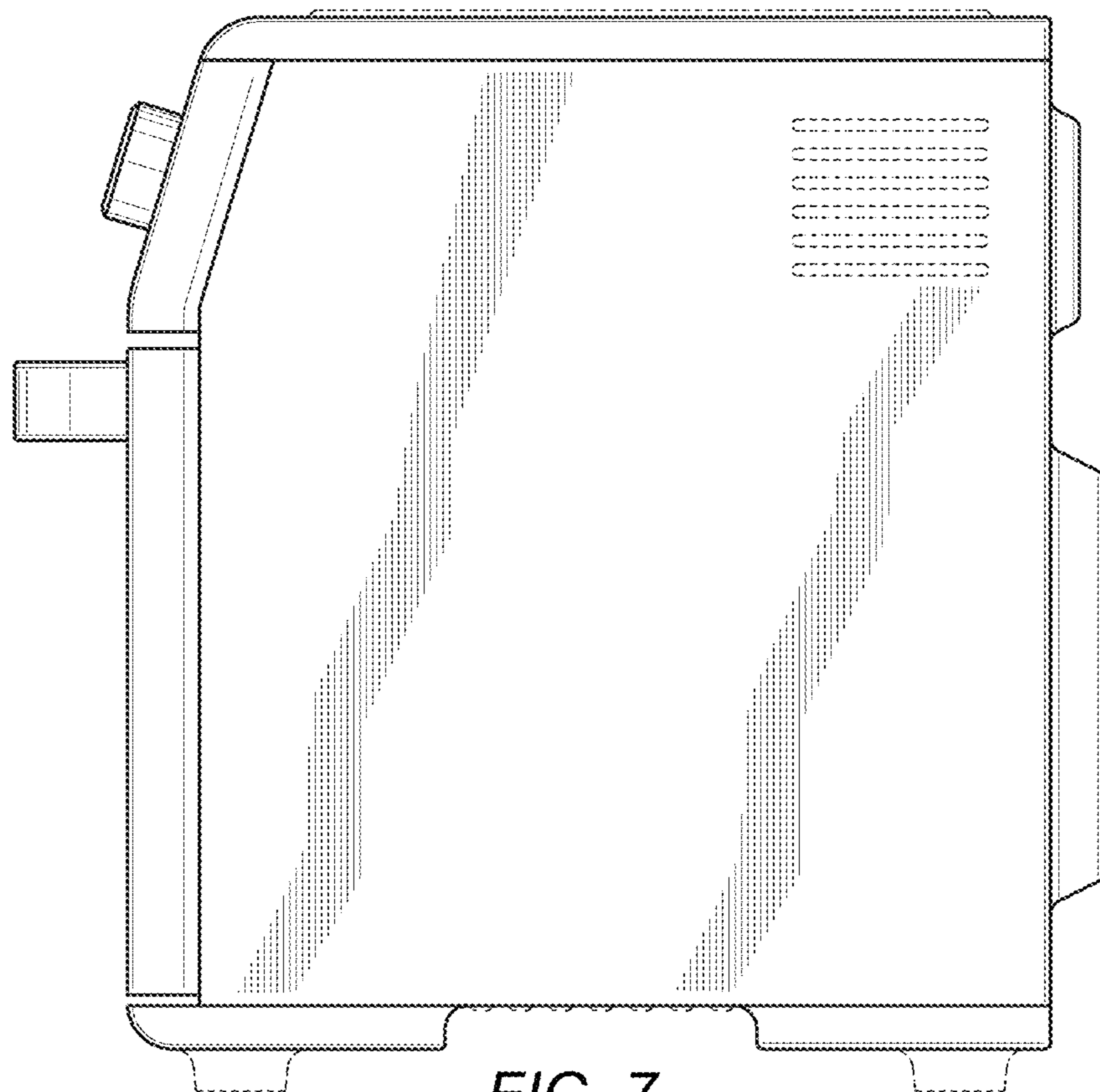


FIG. 7