



US00D909805S

(12) **United States Design Patent** (10) **Patent No.:** **US D909,805 S**
Kunde et al. (45) **Date of Patent:** **** Feb. 9, 2021**

(54) **TRANSFER BAR** 7,568,249 B1 * 8/2009 Kunde A61G 7/053
5/424

(71) Applicants: **Michael F. Kunde**, Oconomowoc, WI D680,403 S * 4/2013 Adams A47C 21/08
(US); **Marie Kunde**, Oconomowoc, WI D8/107
(US) 8,607,389 B1 12/2013 Kunde
D706,450 S * 6/2014 Laitta D25/41.1
D708,467 S * 7/2014 Zakel D6/718.3
D711,209 S * 8/2014 Fischer B25G 1/102
D8/300

(72) Inventors: **Michael F. Kunde**, Oconomowoc, WI D798,641 S * 10/2017 Miller A61G 7/053
(US); **Marie Kunde**, Oconomowoc, WI D6/718.3
(US) 9,986,844 B2 * 6/2018 Shih A47C 21/026
D892,239 S * 8/2020 Carmichael A47D 15/008
D21/694

(**) Term: **15 Years** 10,827,849 B1 * 11/2020 Flannery A47D 15/008
2006/0010601 A1 * 1/2006 Riley H01H 3/16
5/600

(21) Appl. No.: **29/637,234** 2006/0168728 A1 * 8/2006 Strobel A61G 7/0507
5/618

(22) Filed: **Feb. 15, 2018**

(51) **LOC (13) Cl.** **06-06**

(52) **U.S. Cl.**
USPC **D6/718.3**

(58) **Field of Classification Search**
USPC D6/390, 391, 392, 716.3, 718, 718.3;
D8/107, 300, 303, 310; D12/176;
D21/694, 725, 731; D25/41.1
CPC A47C 21/08; A61G 7/053; A61G 7/0507;
A61G 7/0516
See application file for complete search history.

(Continued)

Primary Examiner — Cathron C Brooks
(74) *Attorney, Agent, or Firm* — Donald J. Ersler

(57) **CLAIM**

The ornamental design for a transfer bar, as shown and described.

(56) **References Cited**

U.S. PATENT DOCUMENTS

3,930,273 A * 1/1976 Stern A61G 7/0507
5/430

5,448,791 A * 9/1995 Brown A47C 21/00
5/425

5,542,138 A * 8/1996 Williams A47C 31/008
5/503.1

6,012,182 A * 1/2000 Allen A61G 5/14
5/503.1

6,058,531 A * 5/2000 Carroll A47C 21/08
5/428

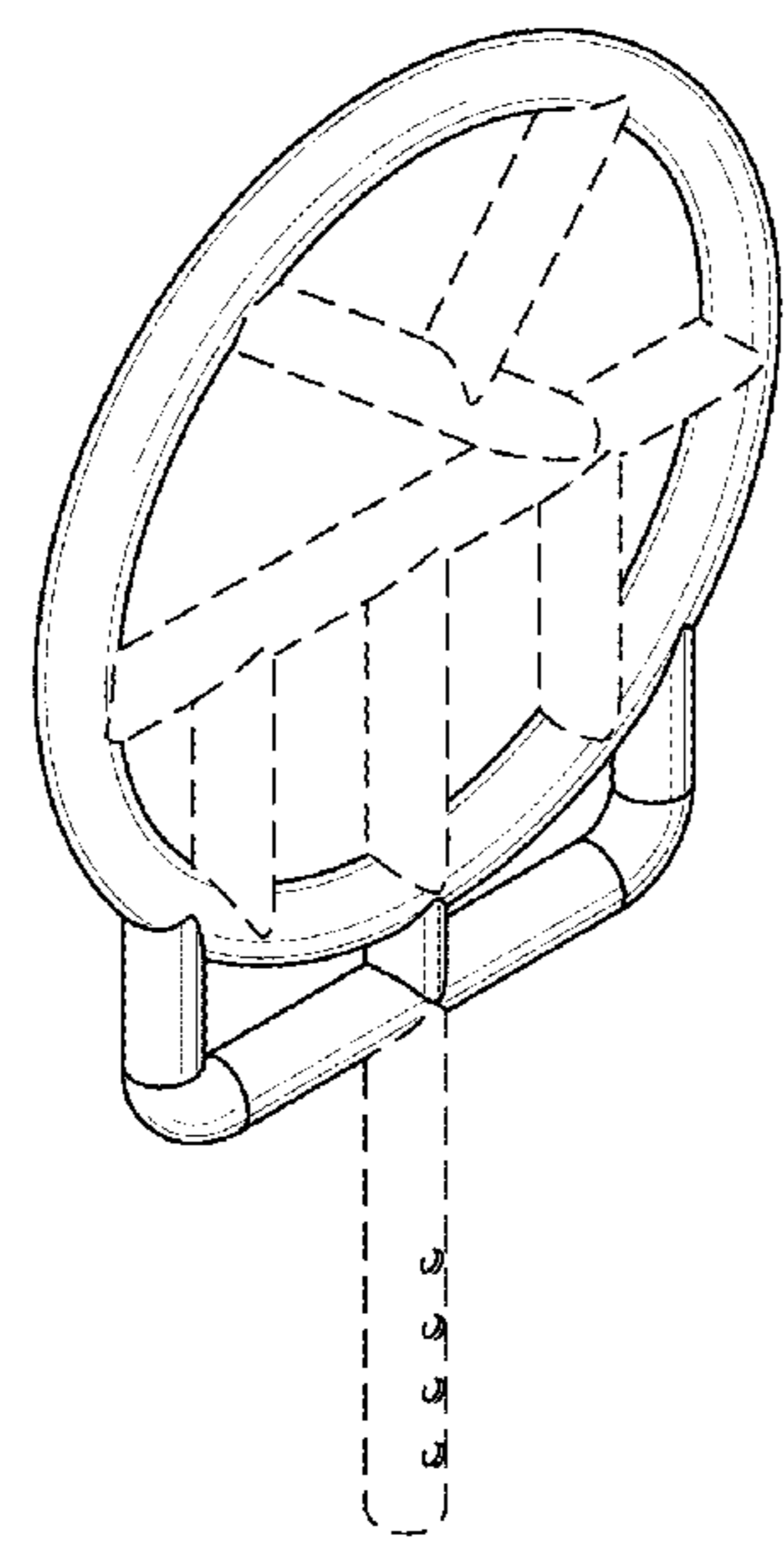
D520,783 S * 5/2006 Freeborn D6/718.3

7,467,434 B1 * 12/2008 Kunde A61G 7/053
5/424

DESCRIPTION

FIG. 1 is a perspective view of a transfer bar, incorporating our new design;
FIG. 2 is a front view thereof;
FIG. 3 is a left side view thereof;
FIG. 4 is a rear view thereof;
FIG. 5 is a right side view thereof;
FIG. 6 is a top plan view thereof; and,
FIG. 7 is a bottom plan view thereof.
The broken lines shown in the drawings illustrate portions of the transfer bar that form no part of the claimed invention.

1 Claim, 6 Drawing Sheets



(56)

References Cited

U.S. PATENT DOCUMENTS

2007/0083994 A1* 4/2007 Miller A47C 21/08
5/662
2007/0136949 A1* 6/2007 Richards A61G 7/0514
5/600
2011/0185507 A1* 8/2011 Abernathy A61G 7/053
5/662
2017/0027786 A1* 2/2017 Williams A61G 7/0507

* cited by examiner

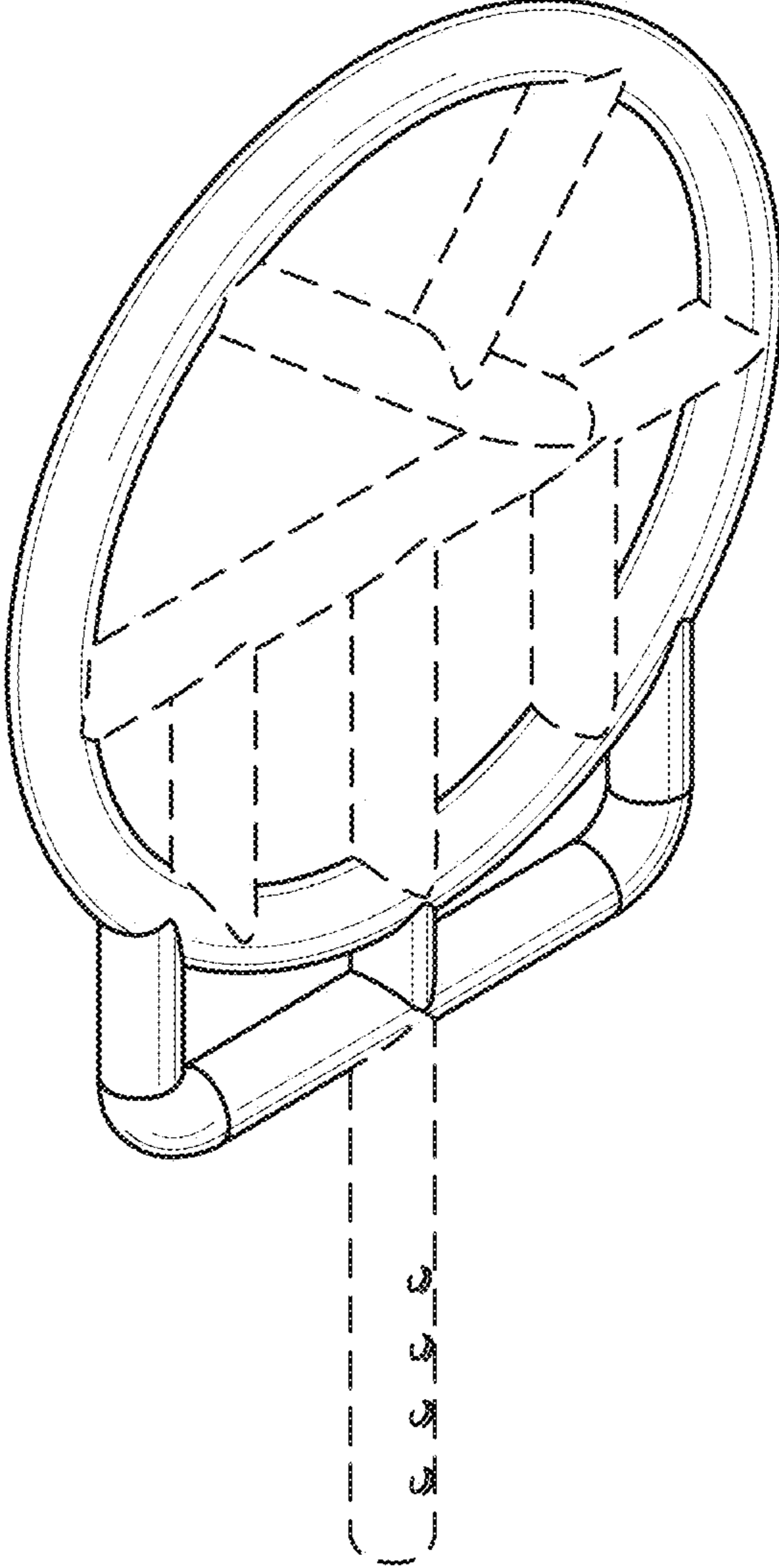


FIG. 1

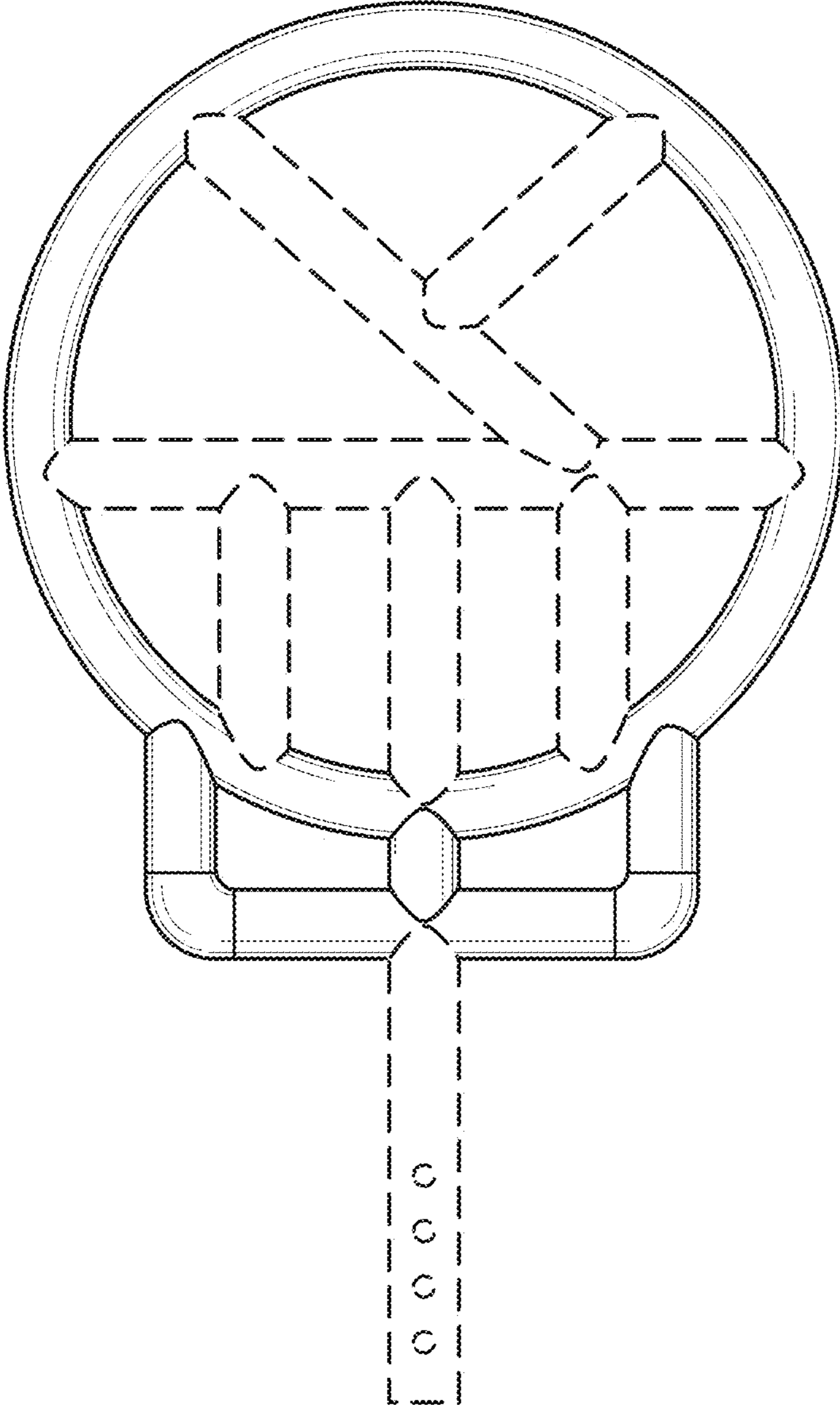


FIG. 2

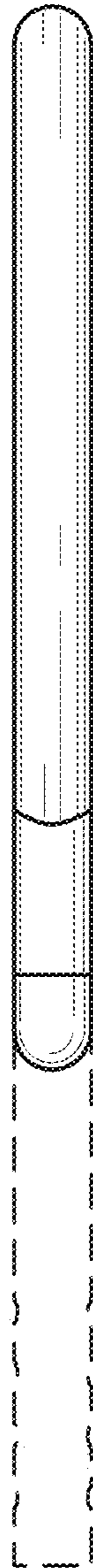


FIG. 3

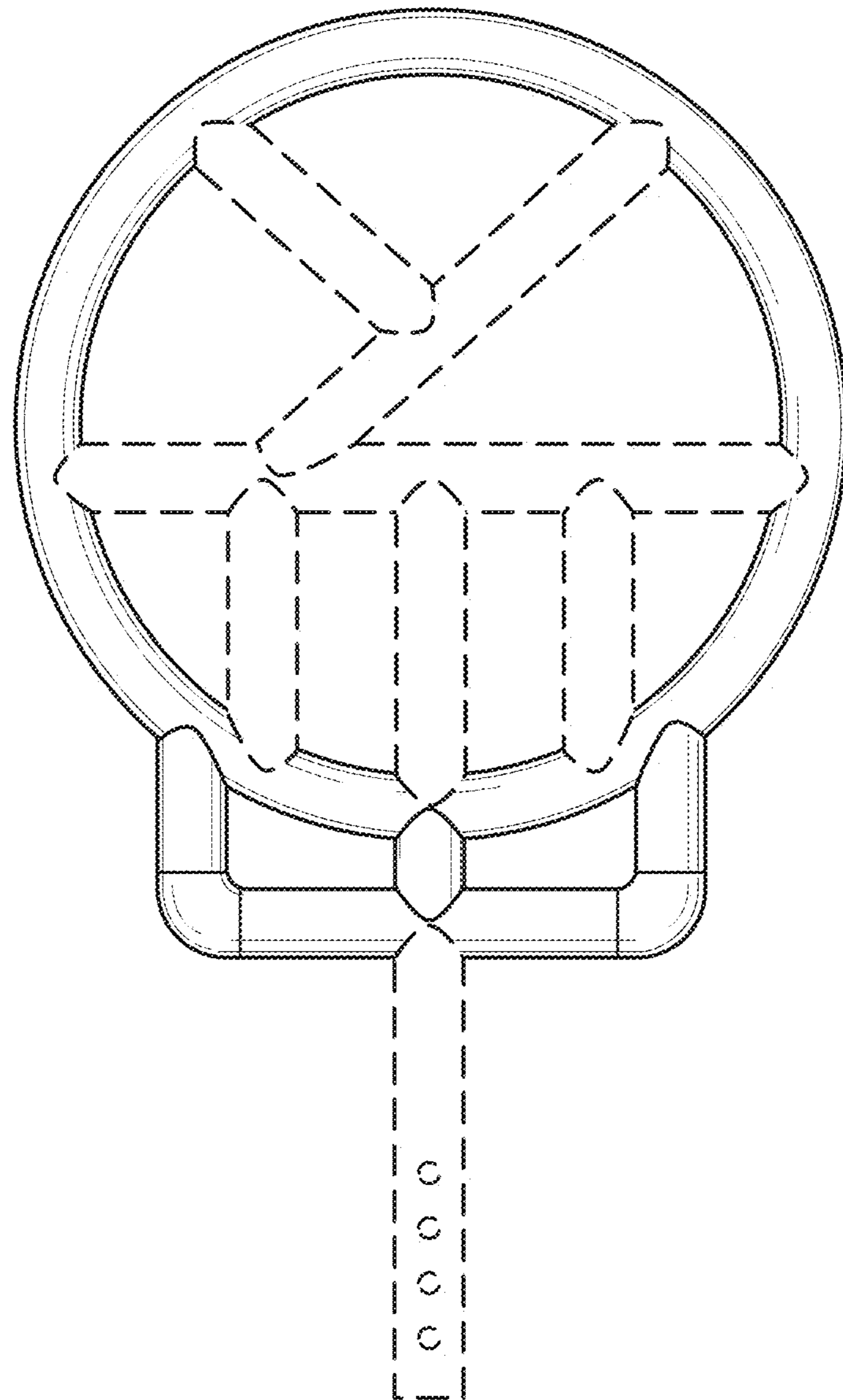


FIG. 4

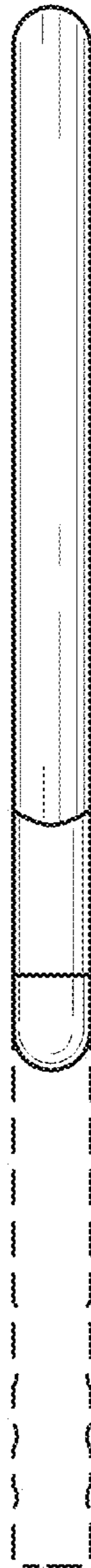


FIG. 5



FIG. 6



FIG. 7