



US00D909804S

(12) **United States Design Patent**
Miller

(10) **Patent No.:** **US D909,804 S**
(45) **Date of Patent:** **** Feb. 9, 2021**

(54) **TABLE BASE**

D604,066 S * 11/2009 Muller D6/708
D742,151 S * 11/2015 Baylar D6/708.1
D772,624 S * 11/2016 Levy D6/691.4

(71) Applicant: **David Michael Miller**, Los Angeles,
CA (US)

(72) Inventor: **David Michael Miller**, Los Angeles,
CA (US)

(**) Term: **15 Years**

(21) Appl. No.: **29/700,139**

(22) Filed: **Jul. 31, 2019**

(51) **LOC (13) Cl.** **06-06**

(52) **U.S. Cl.**
USPC **D6/708.1**

(58) **Field of Classification Search**
USPC D6/688, 688.13, 688.26, 688.27, 691,
D6/691.4, 692, 692.3, 702, 708, 708.1,
D6/708.14, 709, 709.1
CPC A47B 7/00; A47B 13/00; A47B 13/12;
A47B 2200/002

See application file for complete search history.

(56) **References Cited**

U.S. PATENT DOCUMENTS

D171,607 S * 3/1954 Malec D6/708.1
D228,272 S * 9/1973 Hutchinson D6/708.1
D502,825 S * 3/2005 Muller D6/708.1
D504,805 S * 5/2005 Sorkin D14/224
D557,529 S * 12/2007 Cheng D6/708

OTHER PUBLICATIONS

SPI Cypress Tree Metal and Glass End Table—Amazon.com, first available Aug. 16, 2015 https://www.amazon.com/SPI-Home-Cypress-Tree-Table/dp/B01IN0YT46/ref=as_li_ss_tlie=UTF8&linkCode=s11&tag=deskdeck-20&linkId=2c2b5f7153acbfdd84717df7db22e53c retrieved from the internet on Sep. 30, 2020.*

* cited by examiner

Primary Examiner — Mary Ann Calabrese
(74) *Attorney, Agent, or Firm* — Dunlap Bennett & Ludwig, PLLC

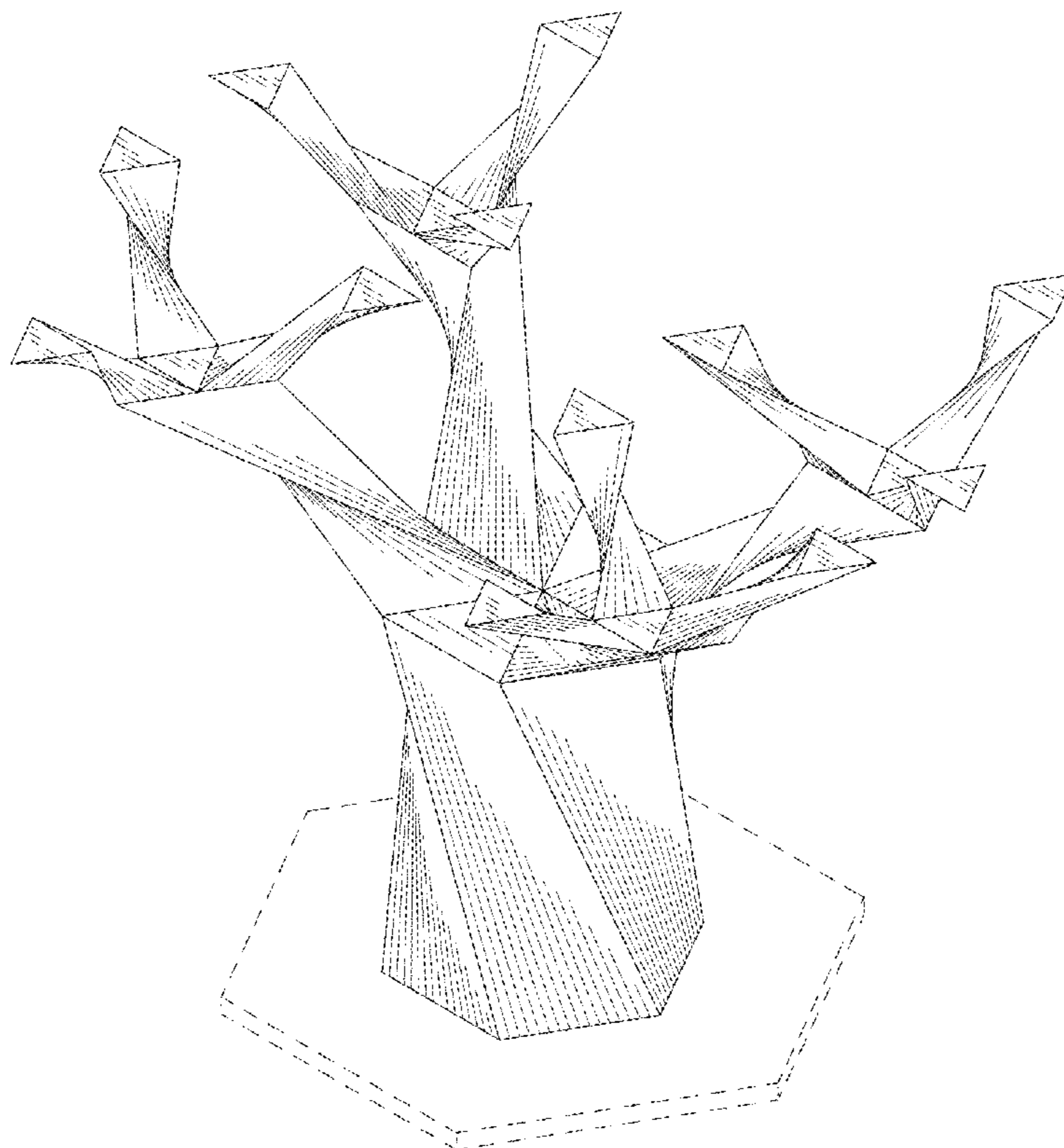
(57) **CLAIM**

The ornamental design for a table base, as shown and described.

DESCRIPTION

FIG. 1 is a top front perspective view of a table base; FIG. 2 is a front elevation view thereof, the rear elevation view being a mirror image thereof; FIG. 3 is right elevation view thereof, the left elevation view being a mirror image thereof; FIG. 4 is a top elevation view thereof; and, FIG. 5 is a bottom elevation view thereof. The broken lines shown in the drawings depict portions of the table base that form no part of the claimed design.

1 Claim, 4 Drawing Sheets



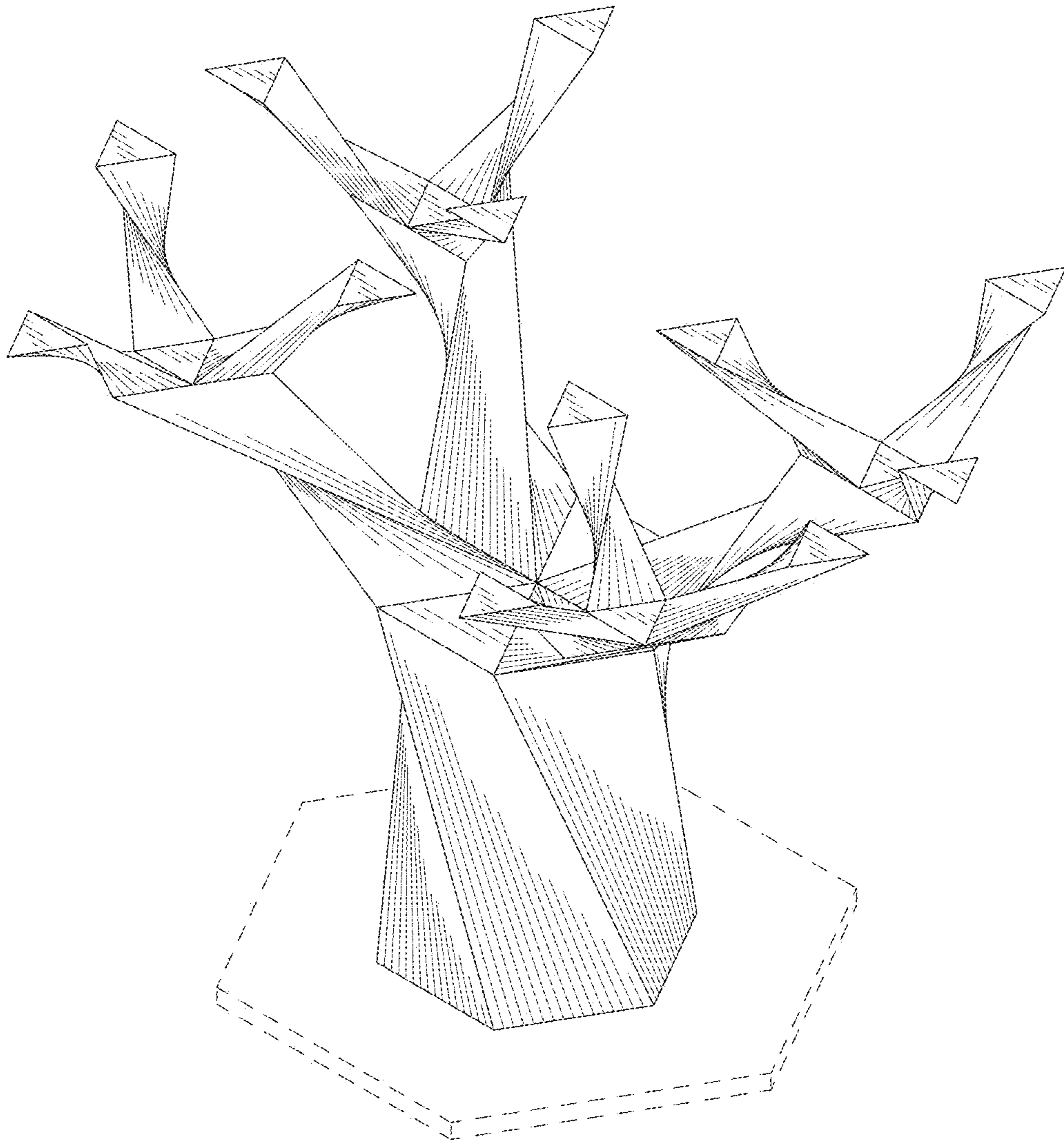


FIG. 1

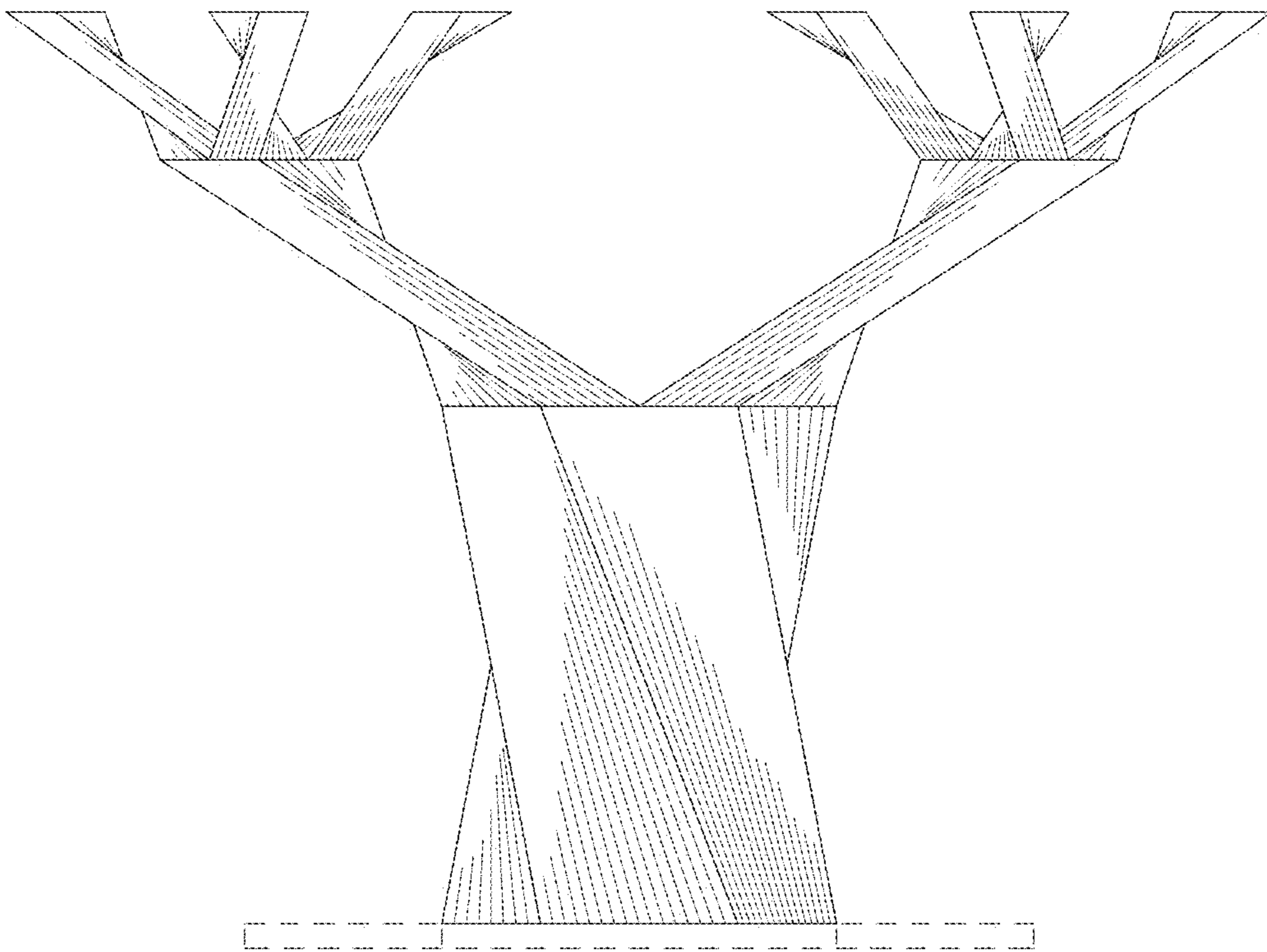


FIG.2

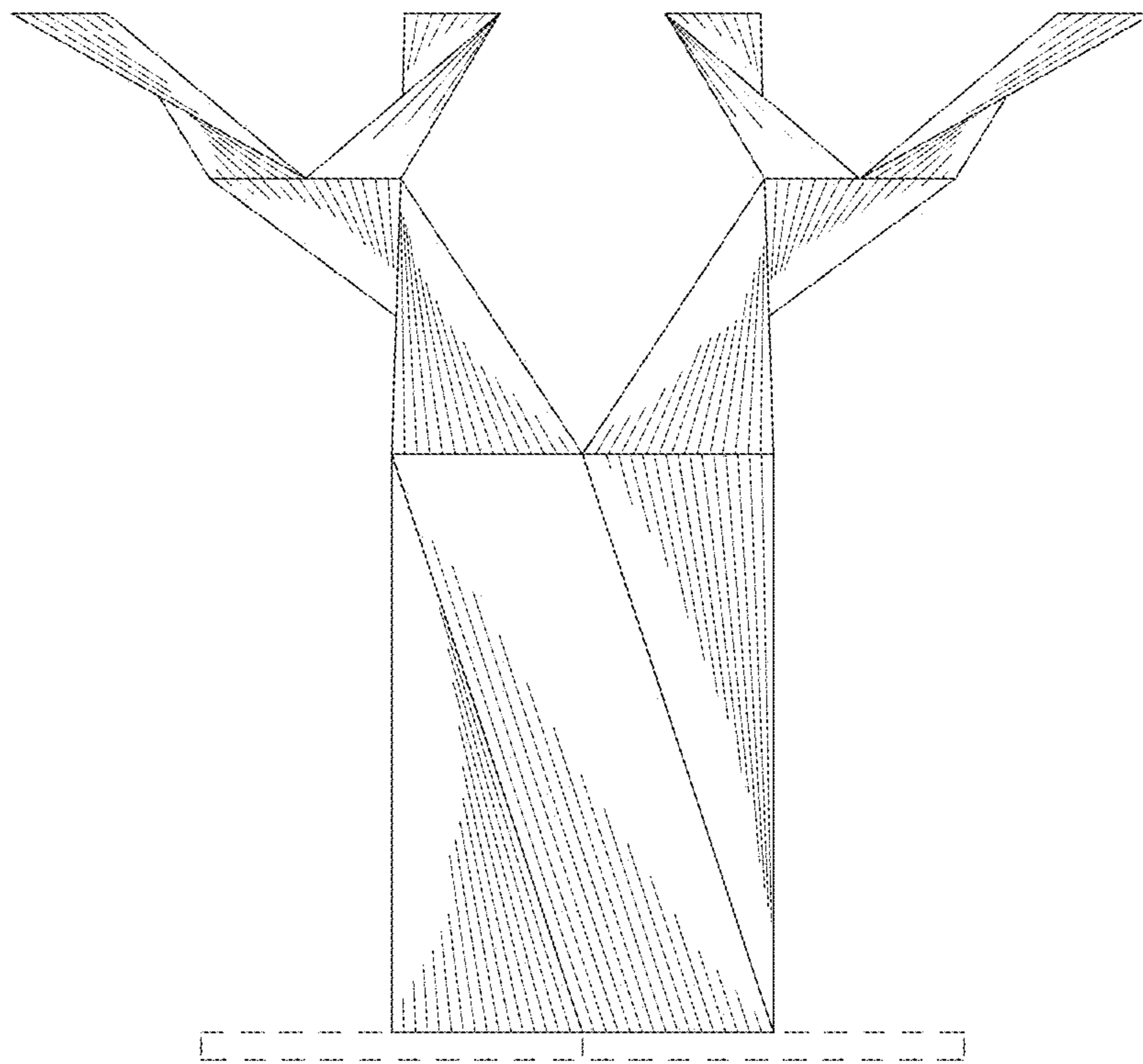


FIG.3

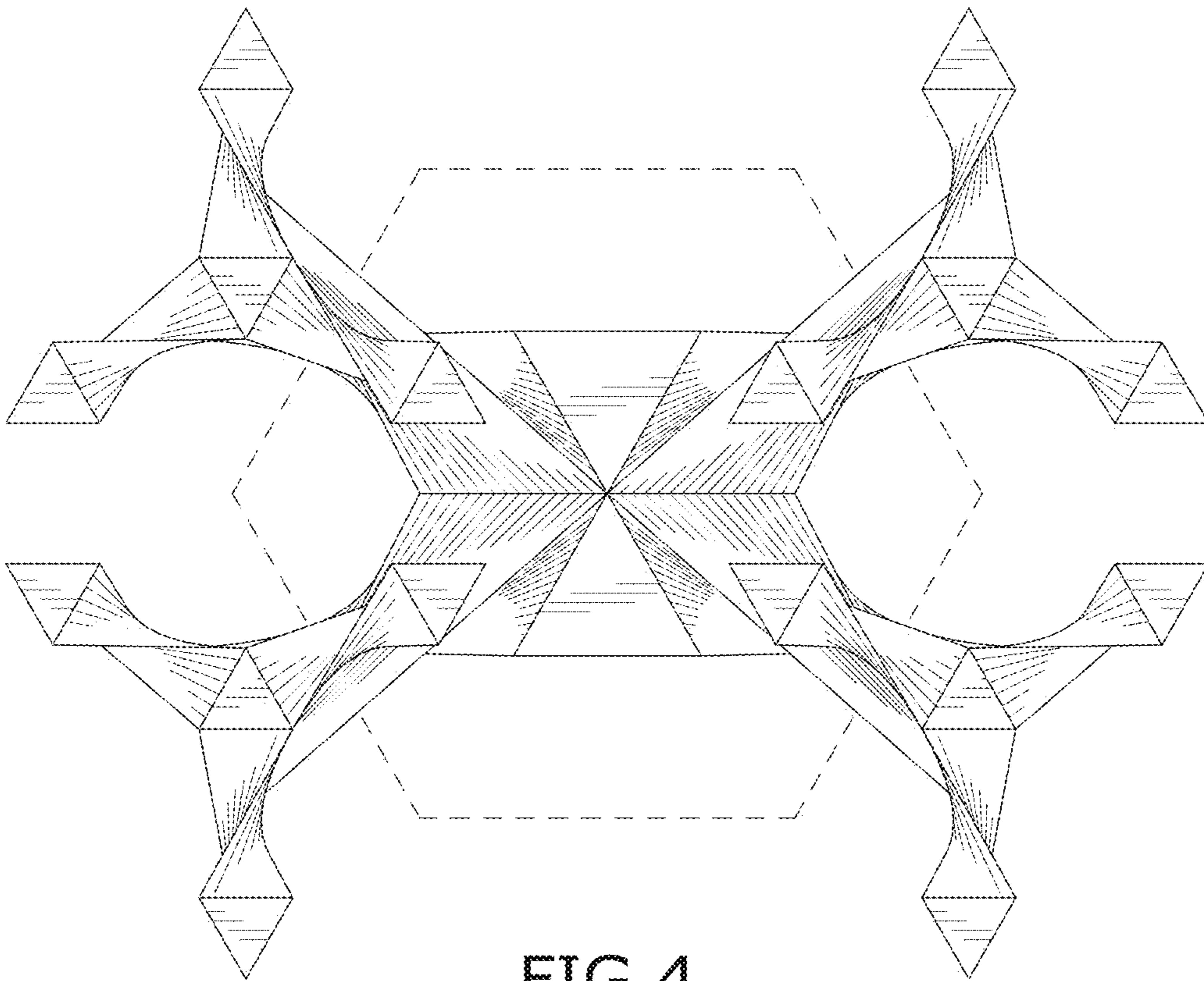


FIG. 4

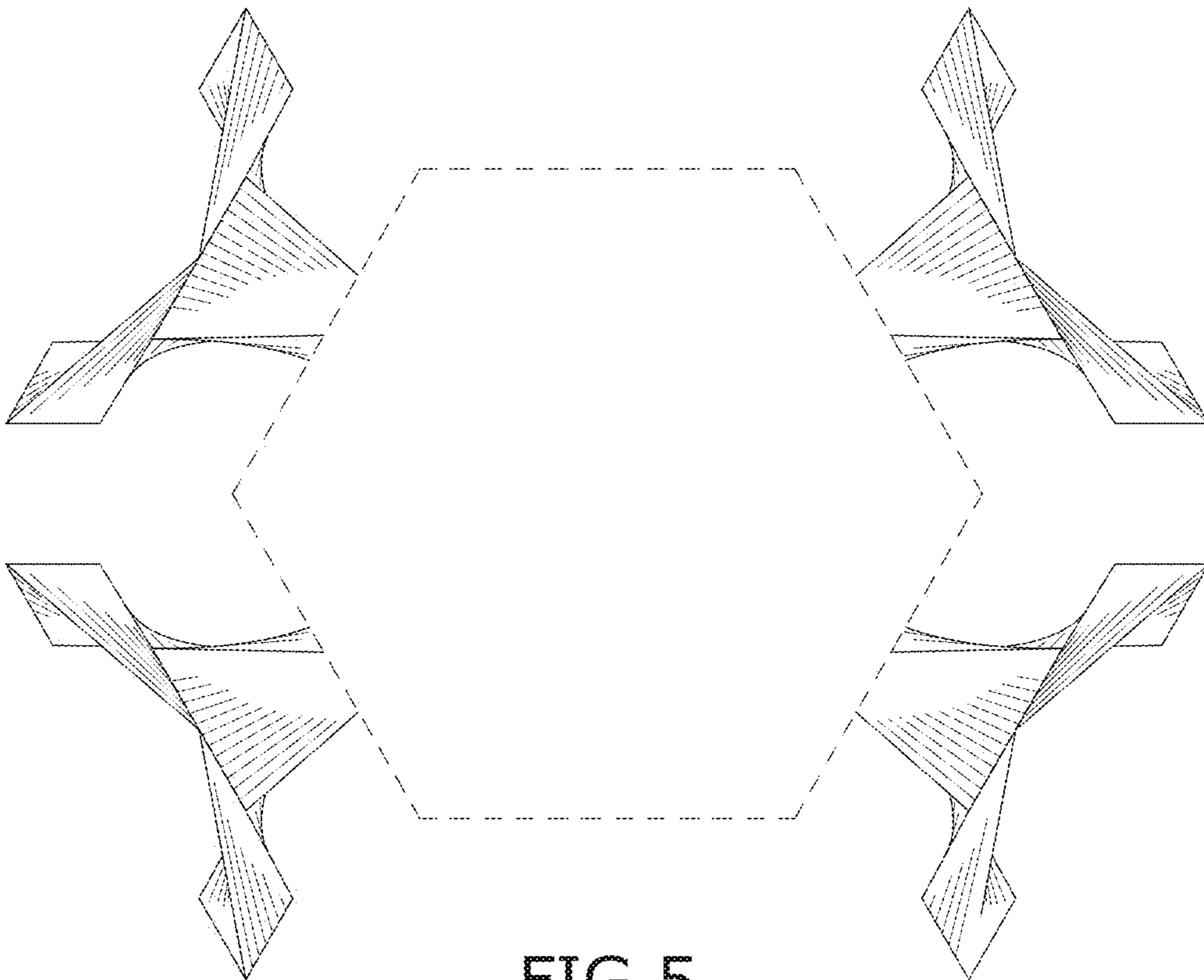


FIG. 5