



US00D909801S

(12) **United States Design Patent** (10) **Patent No.:** **US D909,801 S**  
**Dixon** (45) **Date of Patent:** **\*\* Feb. 9, 2021**

(54) **RACK** 5,279,428 A \* 1/1994 Lee ..... A47F 7/0028  
211/26  
(71) Applicant: **Production Plus Corp.**, Ashville, OH 5,365,813 A 11/1994 Greene  
(US) 5,531,334 A 7/1996 Forby  
5,607,069 A 3/1997 Stroobants et al.  
(72) Inventor: **Donovan Dixon**, South Bloomfield, OH 5,762,205 A 6/1998 Davitz  
(US) 5,908,120 A 6/1999 Yates et al.  
6,189,709 B1 2/2001 Cullen  
6,571,968 B1 6/2003 Cullen  
(73) Assignee: **PRODUCTION PLUS CORP.**, D566,405 S \* 4/2008 Belokin ..... D6/315  
Ashville, OH (US) 7,748,544 B1 7/2010 Davitz  
D623,015 S \* 9/2010 D'Amato ..... D7/409  
D625,055 S \* 10/2010 Oliver ..... B68B 9/00  
D30/143  
(\*\*) Term: **15 Years** D625,120 S \* 10/2010 Wisniewski ..... D6/681.3  
8,066,267 B2 11/2011 Schaerer  
(21) Appl. No.: **29/665,412** (Continued)

(22) Filed: **Oct. 3, 2018**  
(51) **LOC (13) Cl.** ..... **06-06**  
(52) **U.S. Cl.**  
USPC ..... **D6/678.1**  
(58) **Field of Classification Search**  
USPC ..... D6/574, 672, 678, 678.1, 678.2, 681,  
D6/681.1, 681.2  
CPC ..... A47B 45/00; A47B 57/00; A47B 63/00;  
A47F 5/0018; A47F 5/0025; A47F  
5/0031; A47F 7/00  
See application file for complete search history.

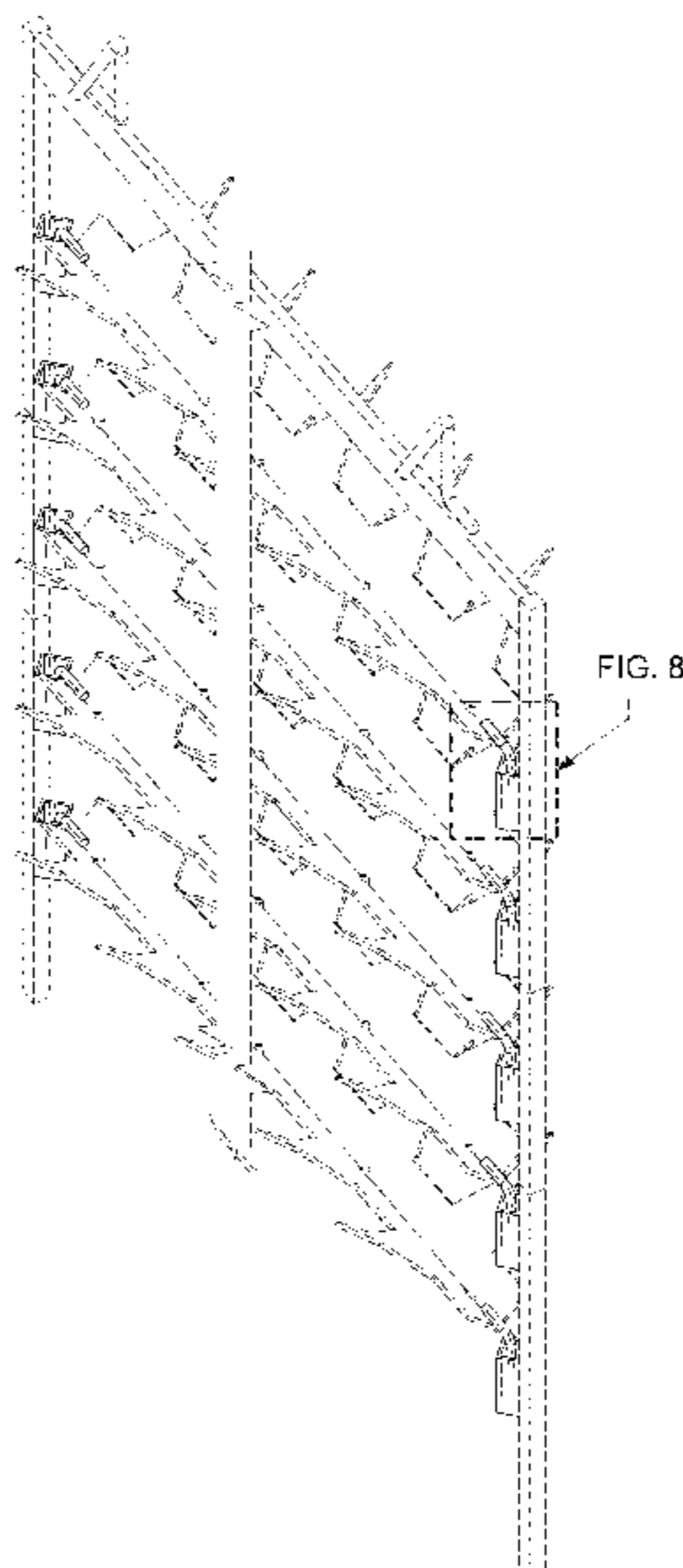
(56) **References Cited**  
U.S. PATENT DOCUMENTS  
1,095,006 A \* 4/1914 Lowe ..... A01F 25/12  
211/125  
2,505,212 A 4/1950 Schneider  
3,484,361 A 12/1969 Sperry  
3,715,097 A 2/1973 Kalajian  
4,037,727 A 7/1977 Kunkle  
4,097,359 A 6/1978 Davitz  
4,129,217 A 12/1978 Campbell  
4,217,853 A 8/1980 Davitz  
4,243,146 A 1/1981 Davitz  
4,424,908 A 1/1984 Davitz  
4,872,936 A 10/1989 Engelbrecht

*Primary Examiner* — Kelley A Donnelly  
(74) *Attorney, Agent, or Firm* — Standley Law Group  
LLP; Melissa Rogers; Adam Smith

(57) **CLAIM**  
The ornamental design for a rack, as shown and described  
above.

**DESCRIPTION**  
FIG. 1 is a front perspective view of an exemplary rack of  
the present invention;  
FIG. 2 is a front elevation view of the rack shown in FIG.  
1;  
FIG. 3 is a rear elevation view of the rack of FIG. 1;  
FIG. 4 is a right-side view of the FIG. 1 embodiment;  
FIG. 5 is a left-side view of the FIG. 1 embodiment;  
FIG. 6 is a top view of the FIG. 1 embodiment;  
FIG. 7 is a bottom view of the FIG. 1 embodiment;  
FIG. 8 is a detailed front perspective view of the FIG. 1  
embodiment; and,  
FIG. 9 is a detailed front view of the FIG. 2 embodiment.  
The broken lines are for illustrating environmental structure  
and form no part of the claimed design.

**1 Claim, 7 Drawing Sheets**



(56)

**References Cited**

U.S. PATENT DOCUMENTS

D661,526	S *	6/2012	Evans .....	D6/514
8,215,502	B1	7/2012	Beavers	
D680,773	S *	4/2013	Tebbe .....	D6/682.4
D727,631	S *	4/2015	Irvin .....	D6/323
D734,951	S *	7/2015	Levin .....	D6/323
9,943,891	B2	4/2018	Dixon	
D818,724	S *	5/2018	Davison .....	D6/316
D839,481	S *	1/2019	Seutter .....	D28/73
D853,158	S *	7/2019	Nichols .....	D6/678.1
D860,677	S *	9/2019	Chesterton .....	D6/552
D865,475	S *	11/2019	Cross .....	D8/71
D878,831	S *	3/2020	Rortvedt .....	D6/676
2004/0238465	A1	12/2004	Mercure	
2012/0273439	A1	11/2012	Beavers et al.	
2017/0120313	A1	5/2017	Dixon	
2018/0257120	A1	9/2018	Dixon	

\* cited by examiner

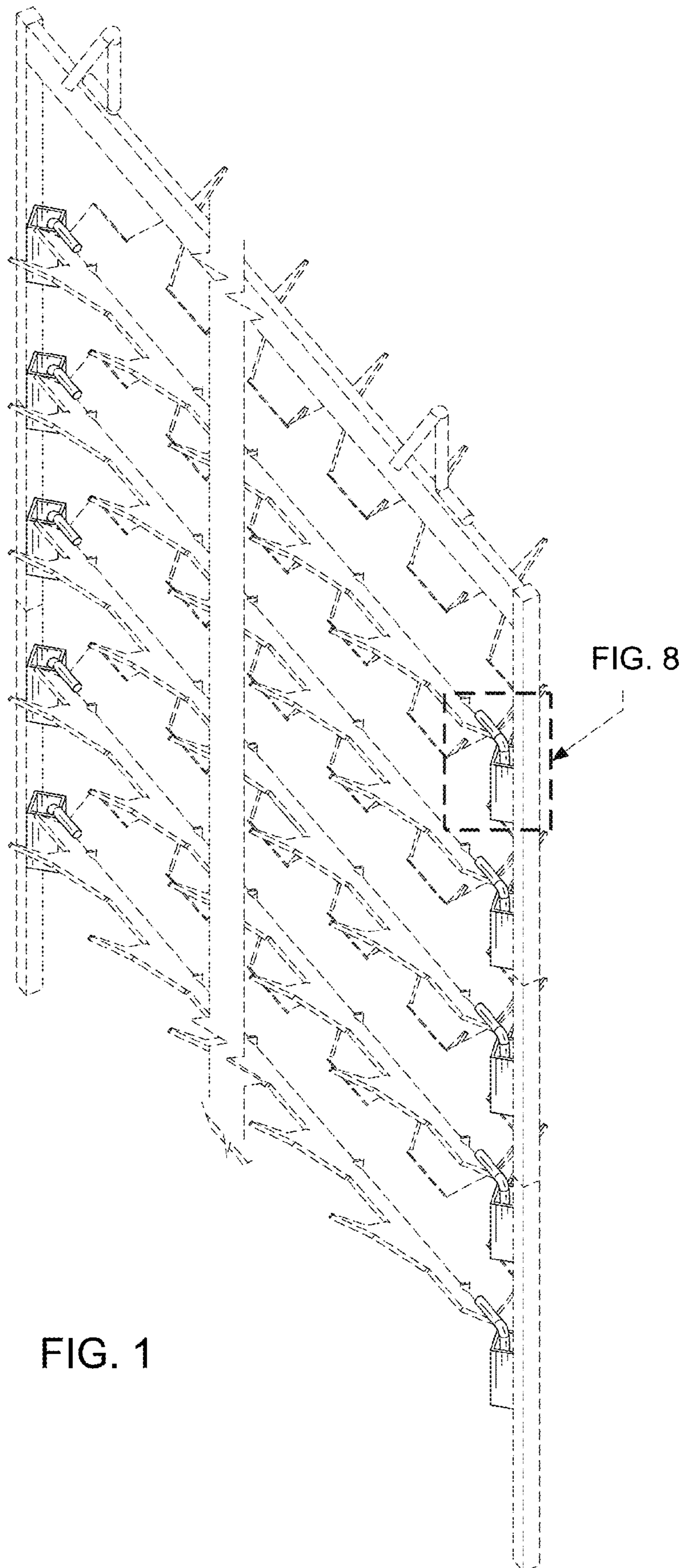
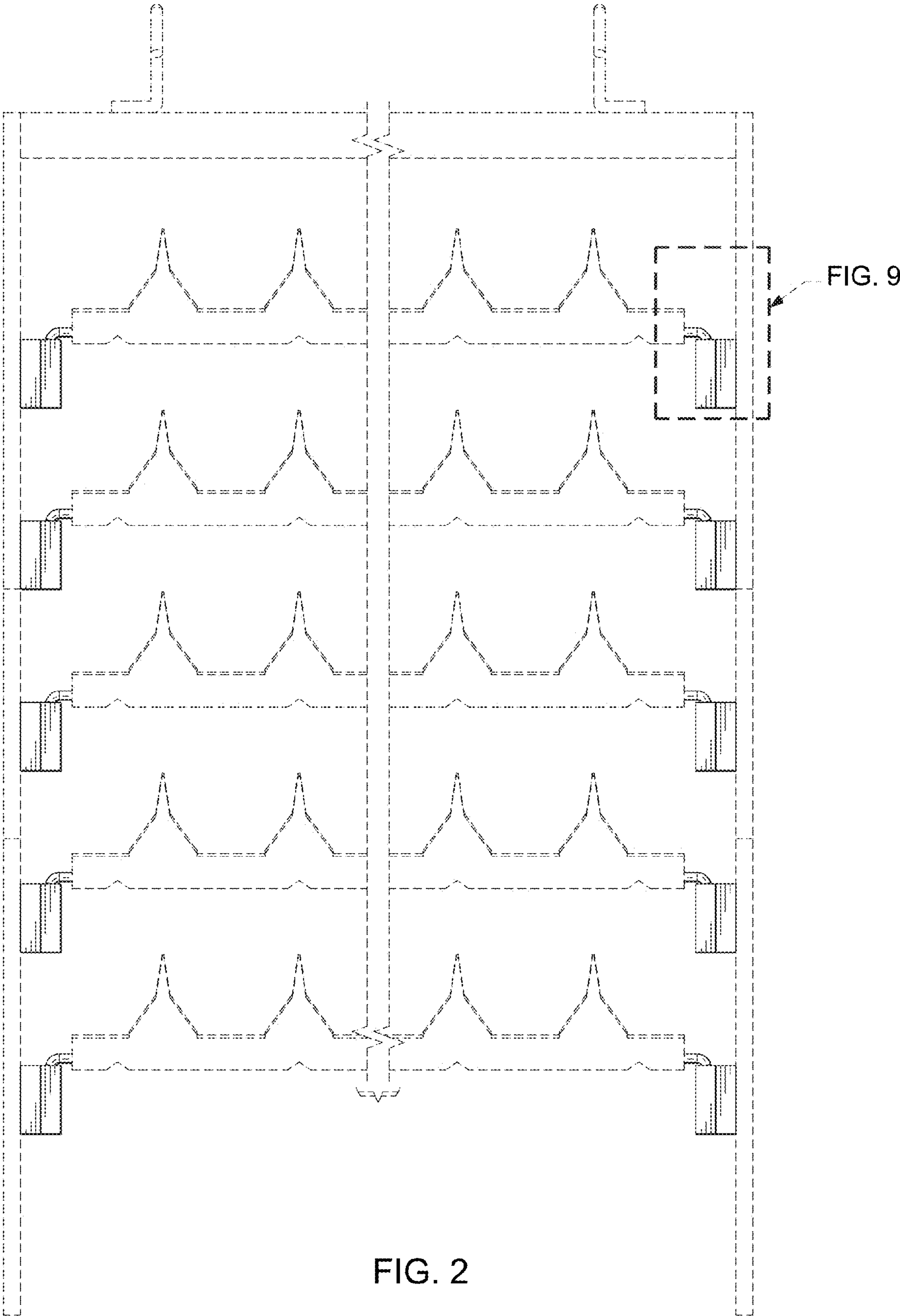


FIG. 1

FIG. 8



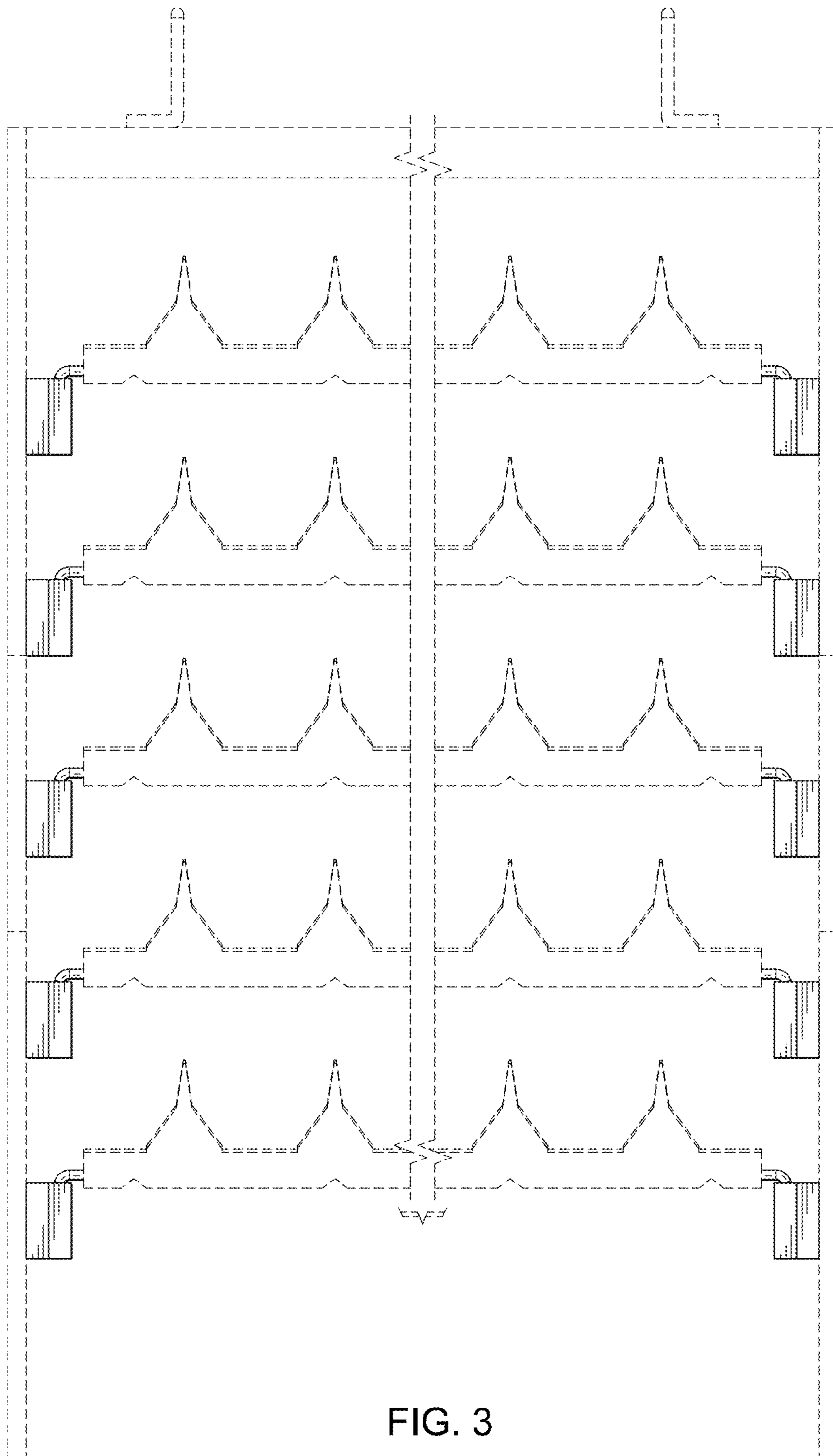


FIG. 3

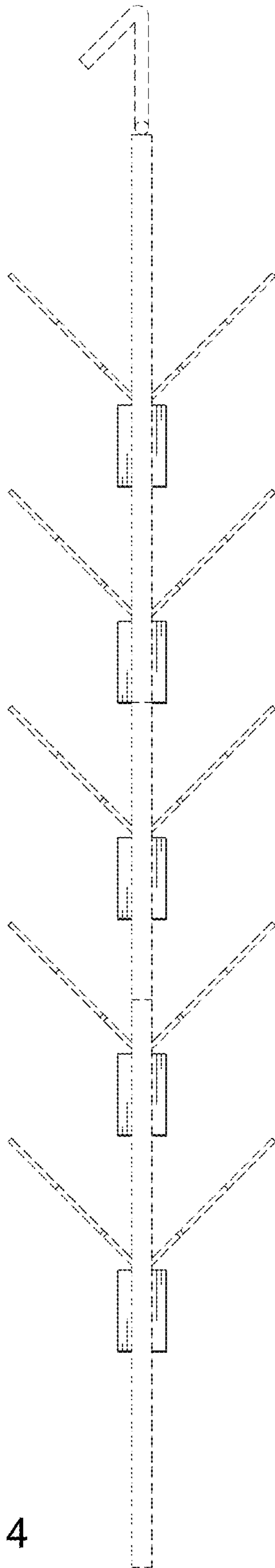


FIG. 4

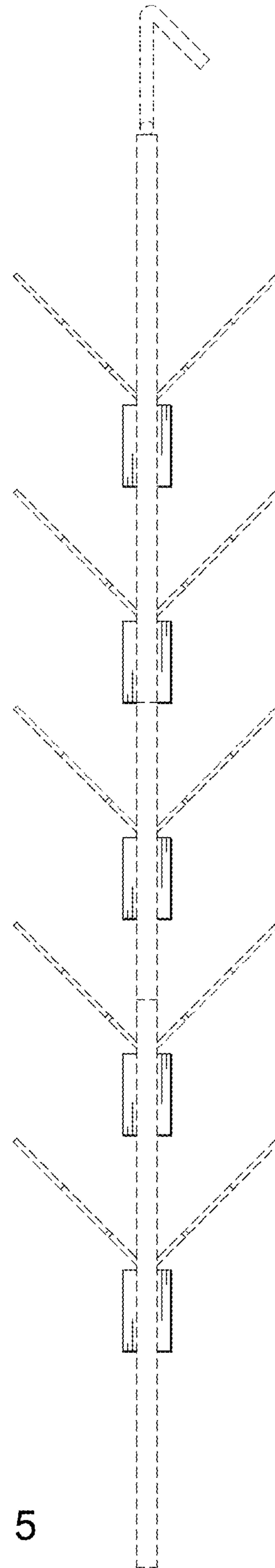


FIG. 5

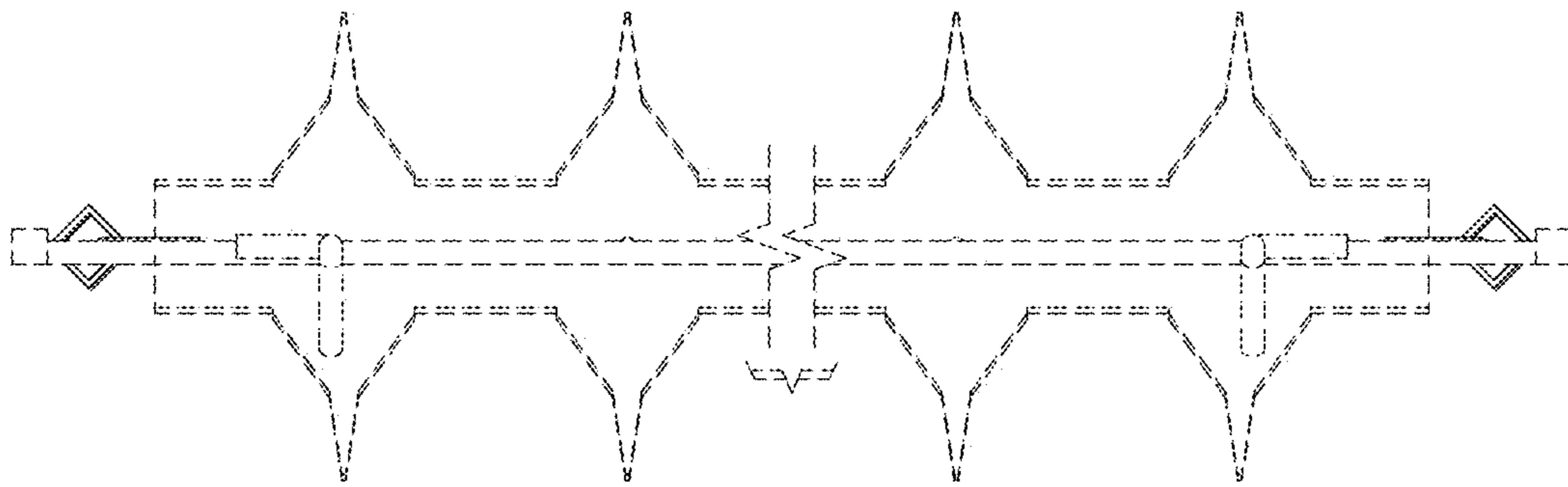


FIG. 6

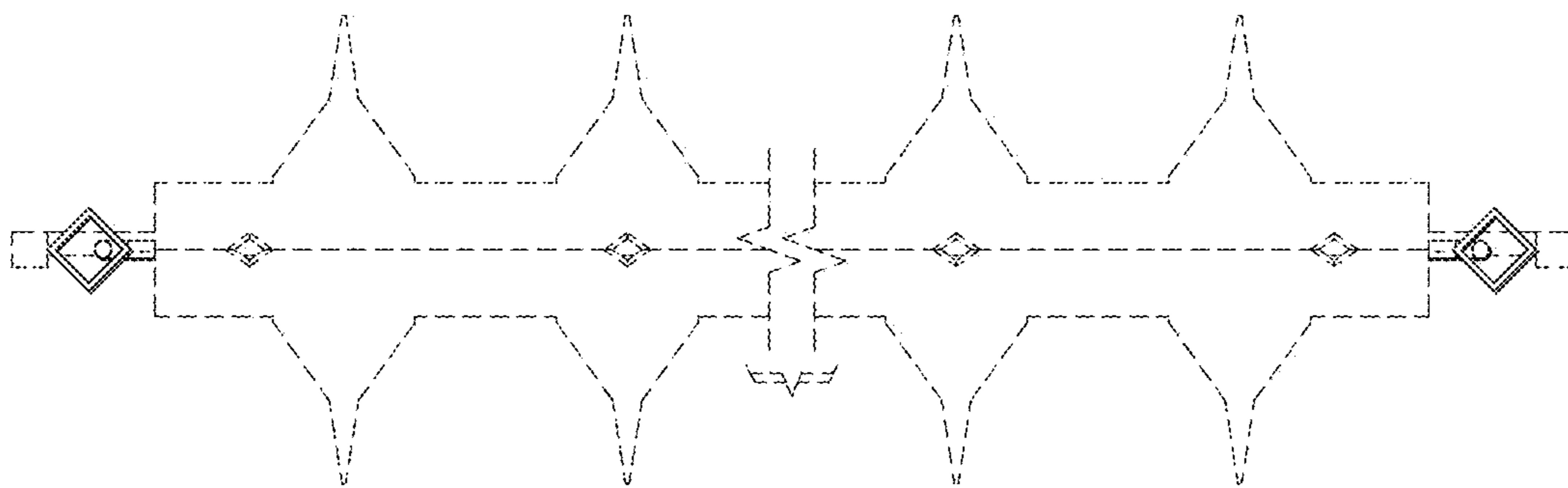


FIG. 7

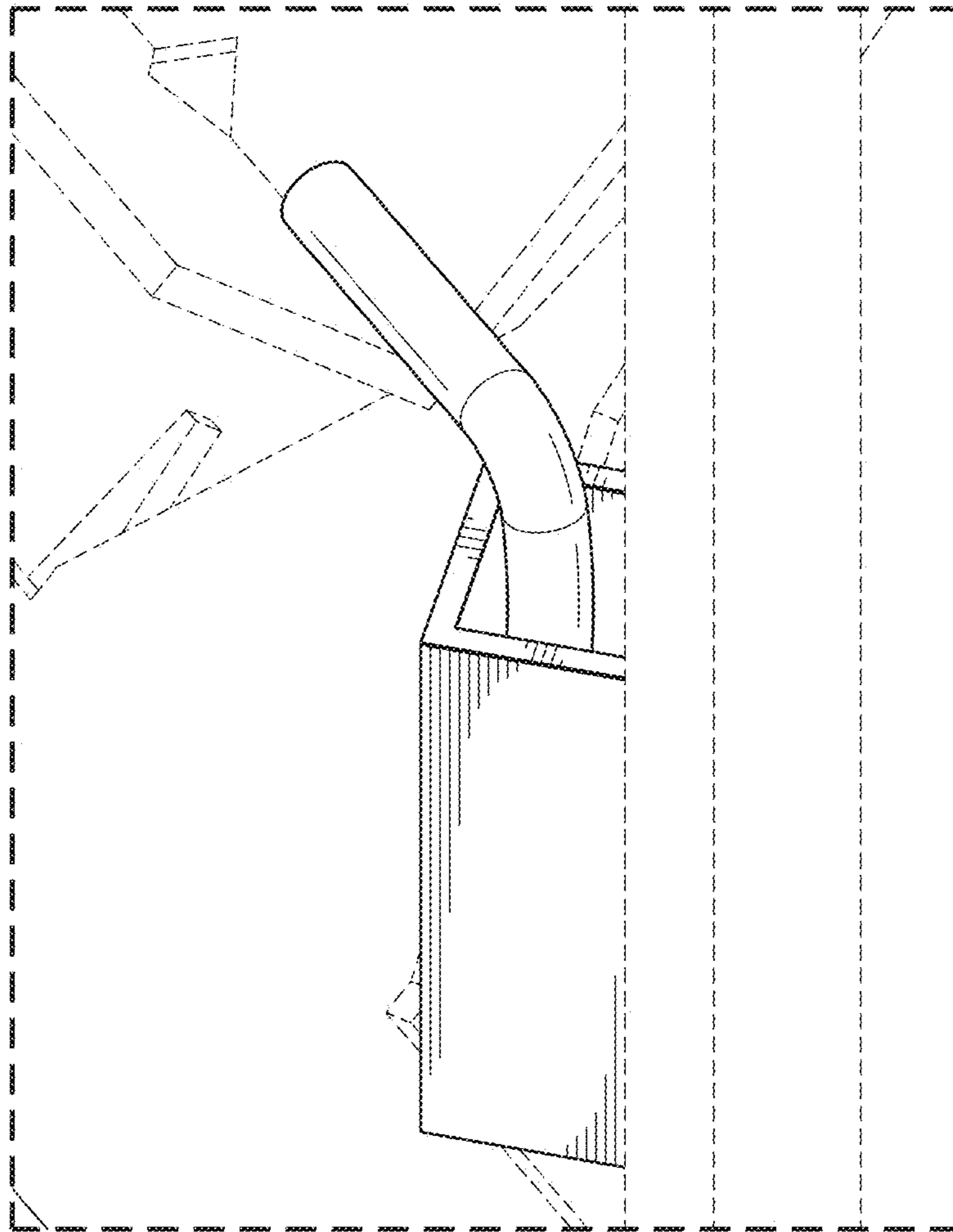


FIG. 8



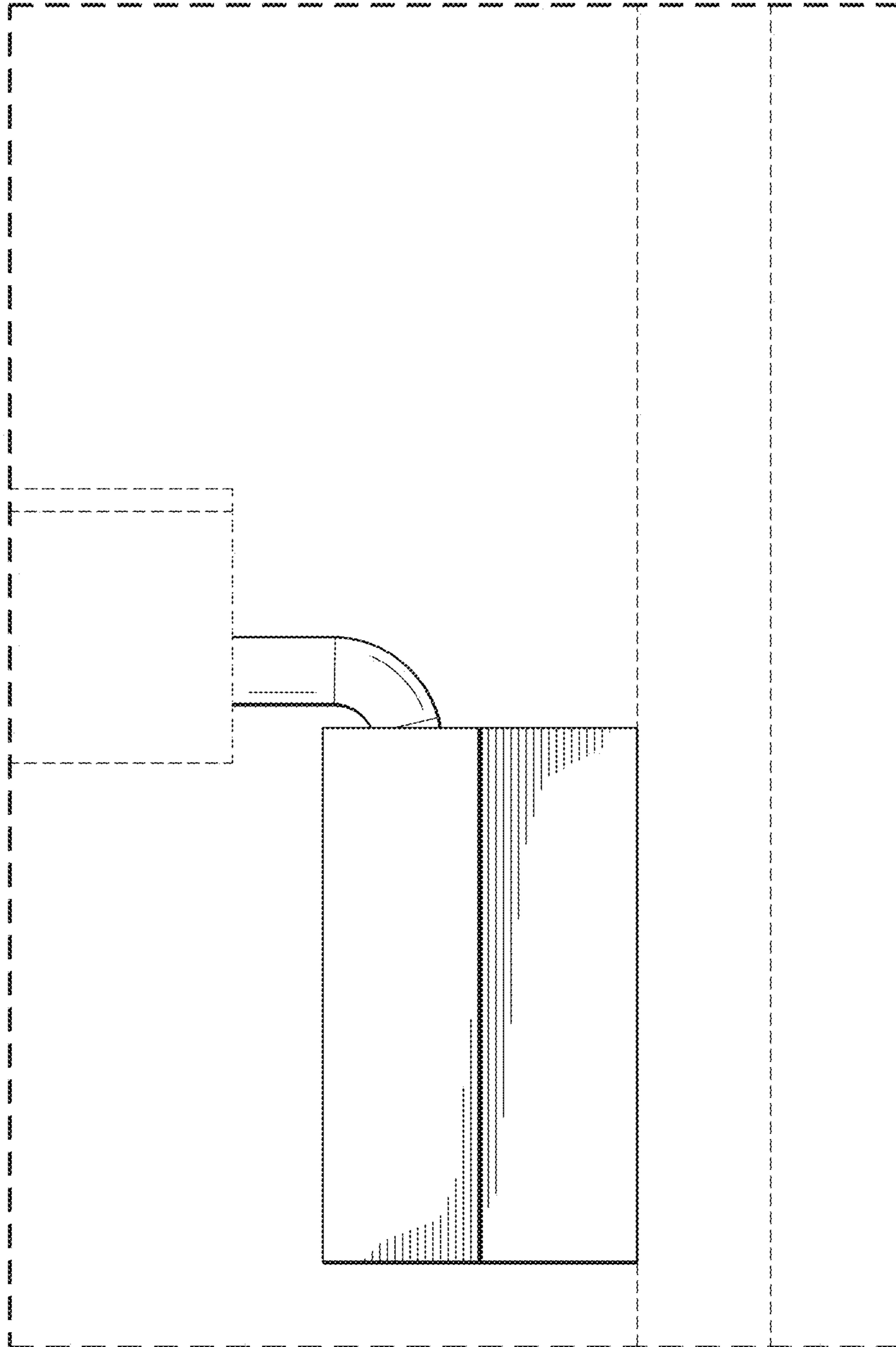


FIG. 9