



US00D909799S

(12) **United States Design Patent**
Nicoll et al.

(10) **Patent No.:** **US D909,799 S**
(45) **Date of Patent:** **** Feb. 9, 2021**

- (54) **CABINET**
- (71) Applicant: **NewAge Products Inc.**, Vaughan (CA)
- (72) Inventors: **David Wesley Nicoll**, Mississauga (CA); **Robert Vandenharm**, North York (CA)
- (73) Assignee: **NewAge Products Inc.**, Vaughan (CA)
- (**) Term: **15 Years**
- (21) Appl. No.: **29/715,123**
- (22) Filed: **Nov. 27, 2019**

D341,737 S 11/1993 Shepherd
 5,564,665 A 10/1996 Resnick
 5,645,332 A 7/1997 Snoke et al.
 D412,629 S 8/1999 Zaidman
 RE36,379 E * 11/1999 Slivon B25H 3/023
 312/271
 D423,817 S 5/2000 Holcomb et al.
 (Continued)

FOREIGN PATENT DOCUMENTS

CA 2486932 A1 5/2006
 DE 20 2019 107 0 1/2020
 (Continued)

OTHER PUBLICATIONS

Design U.S. Appl. No. 29/697,487, filed Jul. 9, 2019.
 (Continued)

Primary Examiner — R. Johnson
 (74) *Attorney, Agent, or Firm* — Howard & Howard
 Attorneys PLLC

Related U.S. Application Data

- (62) Division of application No. 29/626,148, filed on Nov. 15, 2017, now Pat. No. Des. 873,587.
- (51) **LOC (13) Cl.** **06-04**
- (52) **U.S. Cl.**
USPC **D6/671**
- (58) **Field of Classification Search**
USPC D6/657, 661, 662, 663, 664.1, 667, 668,
D6/669, 671, 671.2, 672, 673, 710
CPC A47B 55/00; A47B 57/00; A47B 61/00;
A47B 67/00; A47B 67/005; A47B 67/02;
A47B 67/04
See application file for complete search history.

(57) **CLAIM**

The ornamental design for a cabinet, as shown and described.

DESCRIPTION

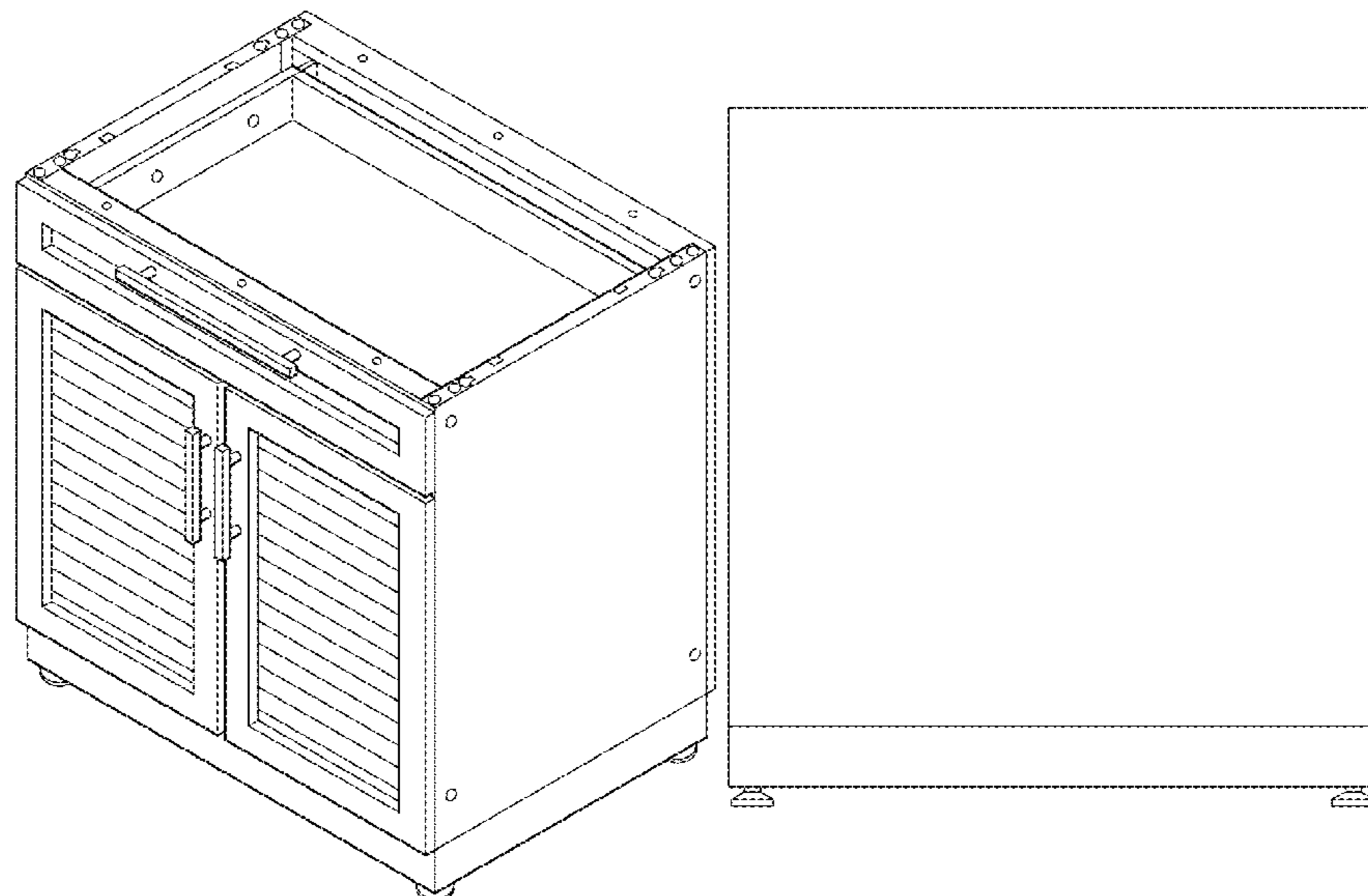
FIG. 1 is a perspective view of a cabinet showing our new design;
 FIG. 2 is a front elevational view of the cabinet of FIG. 1;
 FIG. 3 is a rear elevational view of the cabinet of FIG. 1;
 FIG. 4 is a left side elevational view of the cabinet of FIG. 1;
 FIG. 5 is a right side elevational view of the cabinet of FIG. 1;
 FIG. 6 is a top plan view of the cabinet of FIG. 1; and,
 FIG. 7 is a bottom plan view of the cabinet of FIG. 1.

1 Claim, 3 Drawing Sheets

(56) **References Cited**

U.S. PATENT DOCUMENTS

1,154,906 A 9/1915 Berkley
 D194,137 S 11/1962 Jenn et al.
 3,110,533 A 11/1963 Le Bron
 3,847,460 A 11/1974 Weidt
 4,171,150 A 10/1979 Soderlund
 D254,885 S 5/1980 Decker
 D286,714 S 11/1986 Verholt
 D301,527 S 6/1989 Jacobs et al.
 RE34,171 E 2/1993 Romick et al.



(56)

References Cited

U.S. PATENT DOCUMENTS

D427,843 S 7/2000 Van Over
 D441,221 S 5/2001 O'Hare et al.
 D457,704 S 5/2002 Fiscus et al.
 D465,693 S 11/2002 Coleman et al.
 D475,235 S 6/2003 Home
 D476,188 S 6/2003 Wood
 D499,928 S 12/2004 Zhang
 D501,116 S 1/2005 Zhang
 D503,065 S 3/2005 Pai
 D512,081 S 11/2005 Chang
 D513,913 S 1/2006 Harwanko
 D517,345 S 3/2006 Verbeek et al.
 D521,308 S 5/2006 Tseng
 D534,998 S * 1/2007 Charnik D23/286
 D536,918 S 2/2007 Wood
 D549,035 S 8/2007 Chung
 D549,511 S 8/2007 Chung
 D554,944 S 11/2007 Wood
 D571,605 S 6/2008 Chung
 D574,629 S 8/2008 Kalkwarf
 D588,834 S 3/2009 Holt
 D592,618 S 5/2009 Lewis, II et al.
 D594,247 S 6/2009 Estephan
 D600,963 S 9/2009 Punzel et al.
 D601,137 S 9/2009 Koh
 D618,485 S 6/2010 Chung
 D623,466 S 9/2010 Camerin et al.
 D624,771 S 10/2010 Lim
 D624,782 S 10/2010 Chung
 D632,518 S 2/2011 Schmidt et al.
 D636,615 S * 4/2011 Grela D34/20
 D656,338 S 3/2012 Combs et al.
 D657,160 S 4/2012 Combs et al.
 D657,161 S 4/2012 Combs et al.
 D657,162 S 4/2012 Combs et al.
 D657,163 S 4/2012 Combs et al.
 D661,141 S 6/2012 Bao
 D665,201 S 8/2012 Gaska et al.
 D665,596 S 8/2012 Shawcross et al.
 D667,652 S 9/2012 Wang
 D668,474 S * 10/2012 Lim D6/667
 8,312,807 B2 11/2012 Martinez et al.
 D689,720 S 9/2013 Lim
 D694,056 S 11/2013 Dahle
 D703,466 S 4/2014 Franck et al.
 D704,981 S 5/2014 Gates
 D712,676 S 9/2014 Flora
 D722,810 S 2/2015 Chung
 D722,813 S 2/2015 Chung
 D727,477 S 4/2015 Mayer et al.
 D728,282 S 5/2015 Tongue et al.
 9,032,566 B2 5/2015 Le Duff
 D731,843 S 6/2015 Chung
 D732,854 S 6/2015 Engebretson
 9,068,378 B2 * 6/2015 Milani E05B 65/462
 D733,470 S * 7/2015 Troyner D6/671.1
 D737,603 S 9/2015 Shah et al.
 D741,624 S 10/2015 Freimuth
 D742,136 S 11/2015 Flora
 D743,190 S 11/2015 Franck et al.
 9,267,313 B2 * 2/2016 Frison E05B 65/463
 9,337,920 B2 5/2016 Chen et al.
 9,357,879 B2 6/2016 Ortner et al.
 9,402,508 B2 8/2016 Cothorn
 9,468,305 B2 10/2016 Flora
 D770,815 S 11/2016 Jackson et al.
 9,486,075 B2 11/2016 Liu

9,486,911 B1 11/2016 Liu
 9,532,680 B2 1/2017 Roberts
 D780,488 S 3/2017 Celano
 D788,491 S 6/2017 Lim
 9,788,689 B2 10/2017 Bizal et al.
 D805,322 S 12/2017 Johanson
 D807,084 S 1/2018 Waldner
 D809,847 S 2/2018 Liu
 D823,617 S 7/2018 Chiao et al.
 D824,194 S 7/2018 Kagan
 D825,230 S 8/2018 Massaud
 D826,291 S 8/2018 Lim et al.
 D828,056 S 9/2018 Chiao et al.
 D833,207 S 11/2018 Zemel
 D835,926 S 12/2018 Abatemarco, Jr.
 D843,771 S 3/2019 Wong
 D843,772 S 3/2019 Wong
 10,231,575 B1 3/2019 Nicoll et al.
 D850,815 S * 6/2019 Nicoll D6/559
 D854,871 S 7/2019 Williams
 D858,119 S * 9/2019 Nicoll D6/334
 D869,894 S 12/2019 Nicoll et al.
 D871,114 S * 12/2019 Nicoll D6/671.1
 10,506,876 B1 * 12/2019 Chen A47B 47/03
 D873,587 S * 1/2020 Nicoll D6/671
 D891,825 S * 8/2020 Nicoll D6/667
 2006/0037599 A1 2/2006 Hill
 2007/0054608 A1 * 3/2007 Liu B25B 1/22
 451/361
 2008/0047209 A1 2/2008 Hinterholzer et al.
 2009/0178666 A1 7/2009 Cagle et al.
 2009/0235918 A1 9/2009 Espina et al.
 2010/0258106 A1 10/2010 Simms, II
 2011/0187248 A1 * 8/2011 Kao A47B 81/00
 312/280
 2011/0192810 A1 8/2011 Kao
 2013/0312732 A1 11/2013 Brennan
 2014/0021314 A1 1/2014 Bourlier
 2014/0053823 A1 2/2014 Frantz
 2014/0102925 A1 4/2014 Jacobson et al.
 2014/0167575 A1 * 6/2014 Freimuth E05B 65/462
 312/220
 2015/0114238 A1 4/2015 Palermo
 2015/0351538 A1 12/2015 Wells et al.
 2016/0208837 A1 7/2016 Chang
 2016/0220066 A1 8/2016 Roberts
 2016/0360924 A1 12/2016 Bruin-Slot
 2017/0215641 A1 8/2017 DeBruler
 2017/0238762 A1 8/2017 Chinnah et al.
 2018/0255970 A1 9/2018 Rudy et al.

FOREIGN PATENT DOCUMENTS

DE 202019107094 1/2020
 WO 2008089598 A1 7/2008

OTHER PUBLICATIONS

Design U.S. Appl. No. 29/715,126, filed Nov. 27, 2019.
 Design U.S. Appl. No. 29/626,132, filed Nov. 15, 2017, 6 pages.
 Design U.S. Appl. No. 29/626,139, filed Nov. 15, 2017, 15 pages.
 Design U.S. Appl. No. 29/626,143, filed Nov. 15, 2017, 4 pages.
 Design U.S. Appl. No. 29/626,144, filed Nov. 15, 2017, 16 pages.
 Design U.S. Appl. No. 15/813,572, filed Nov. 15, 2017, 27 pages.
 Machine-assisted English language abstract for DE 20 2019 107
 094 U1 extracted from espacenet.com database on Oct. 15, 2020, 2
 pages.

* cited by examiner

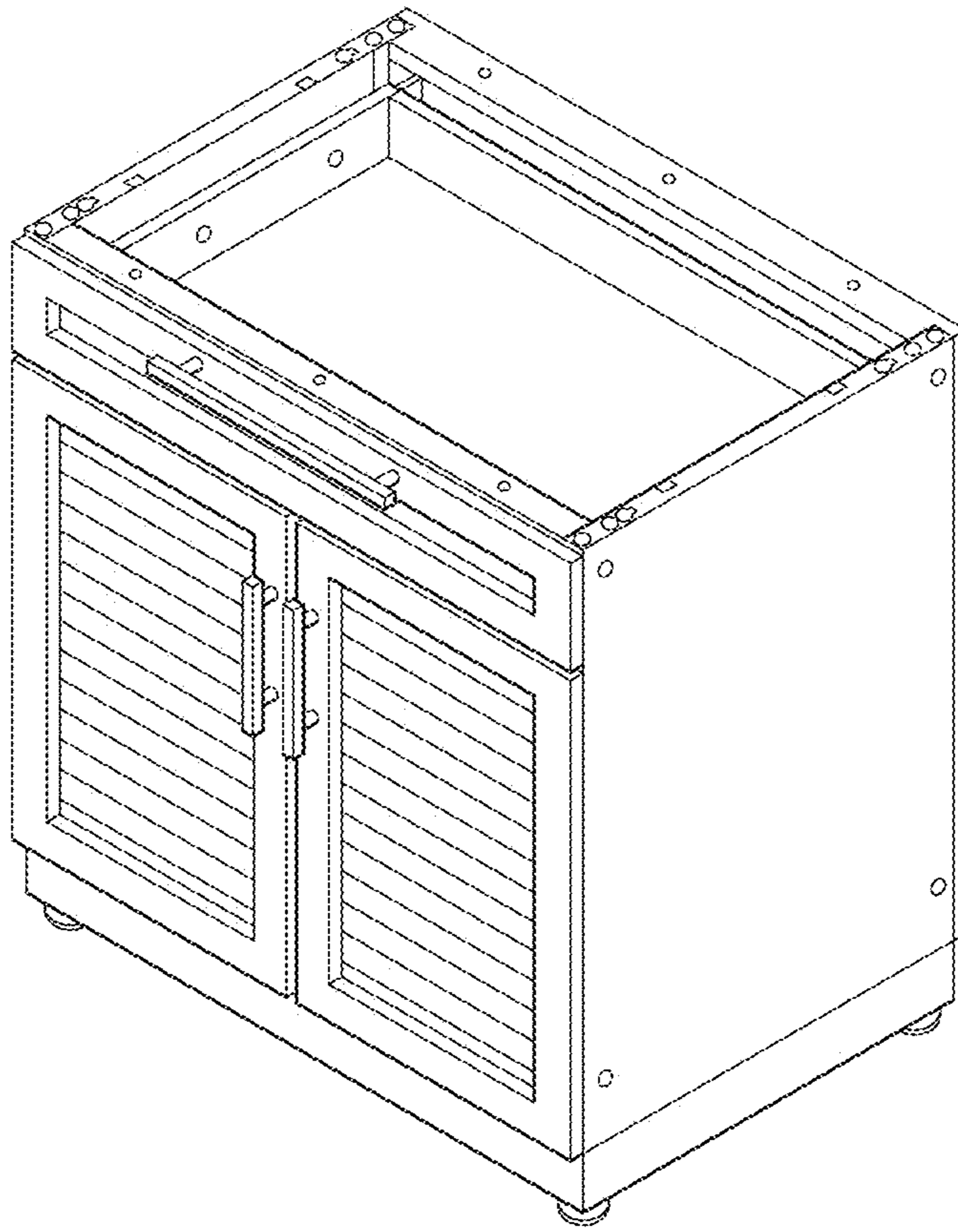


Fig-1

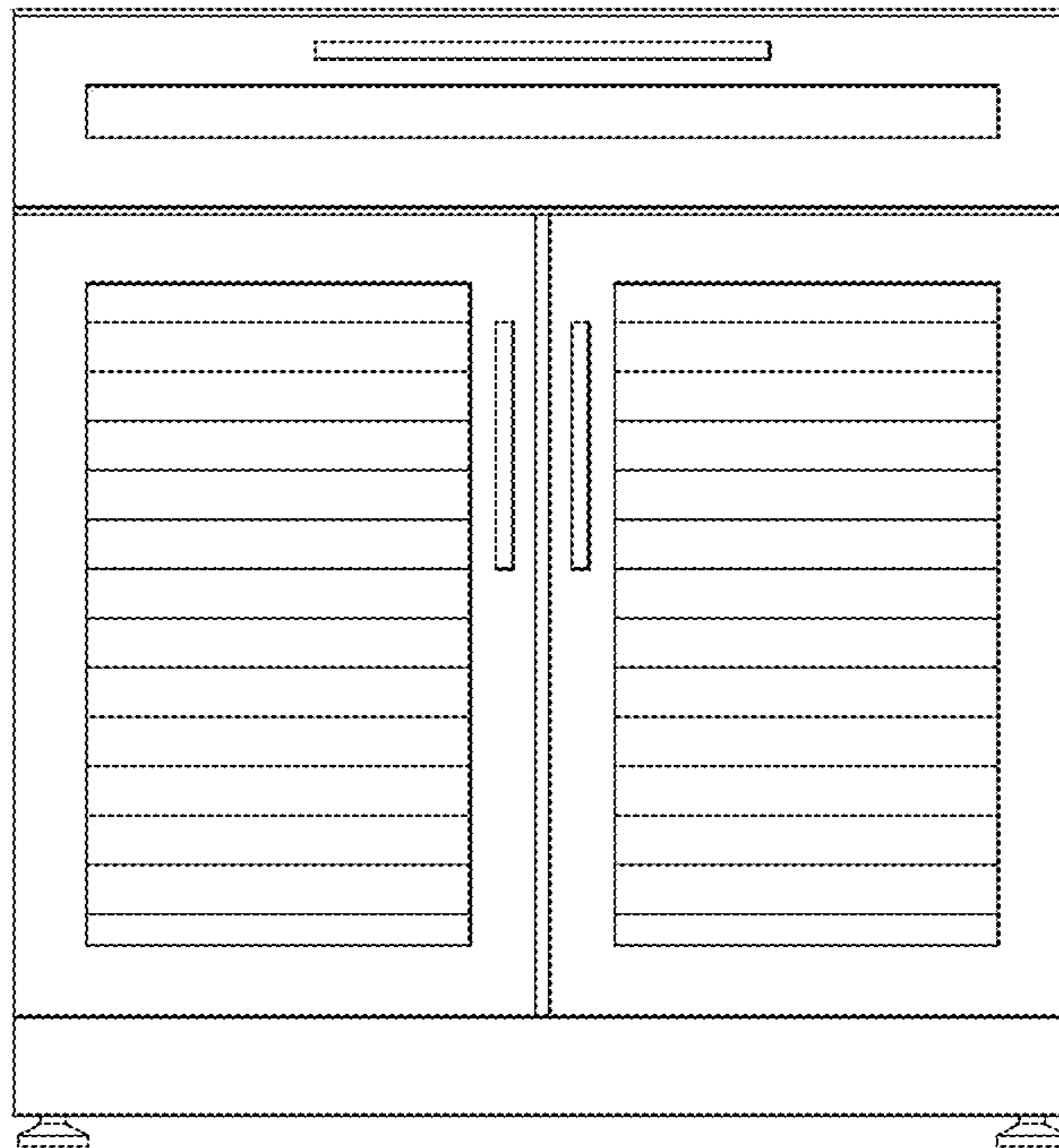


Fig-2

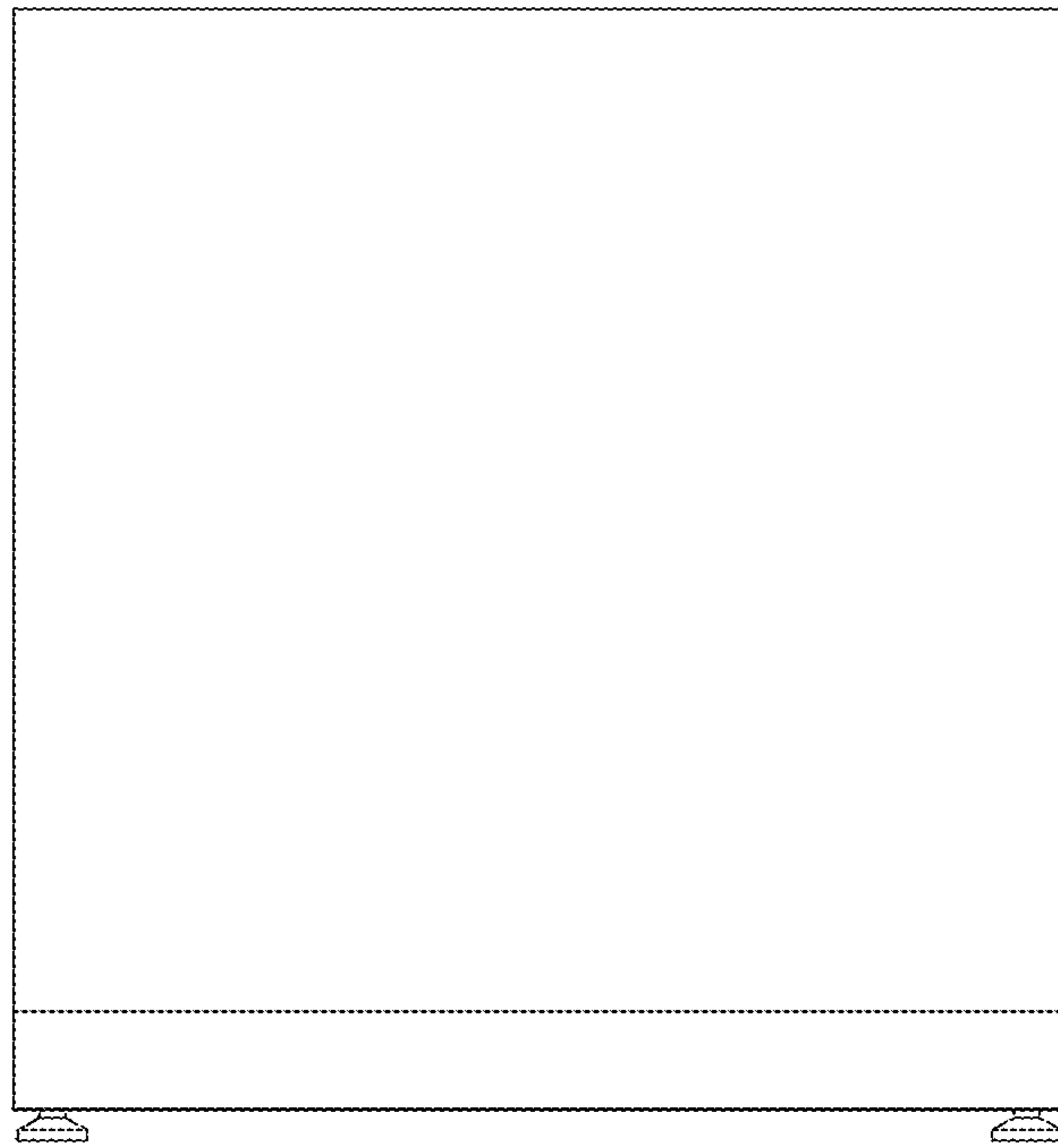


Fig-3

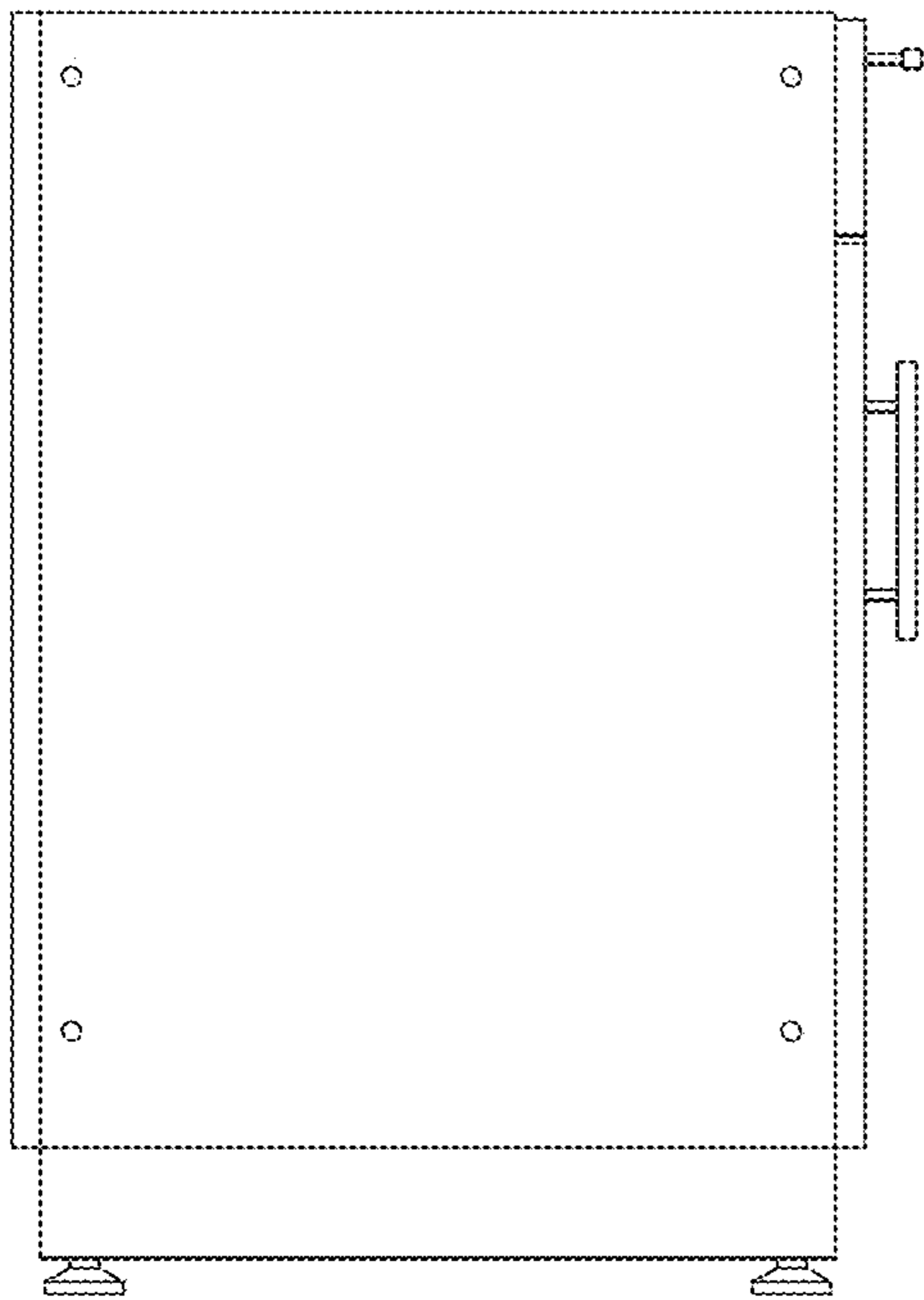


Fig-4

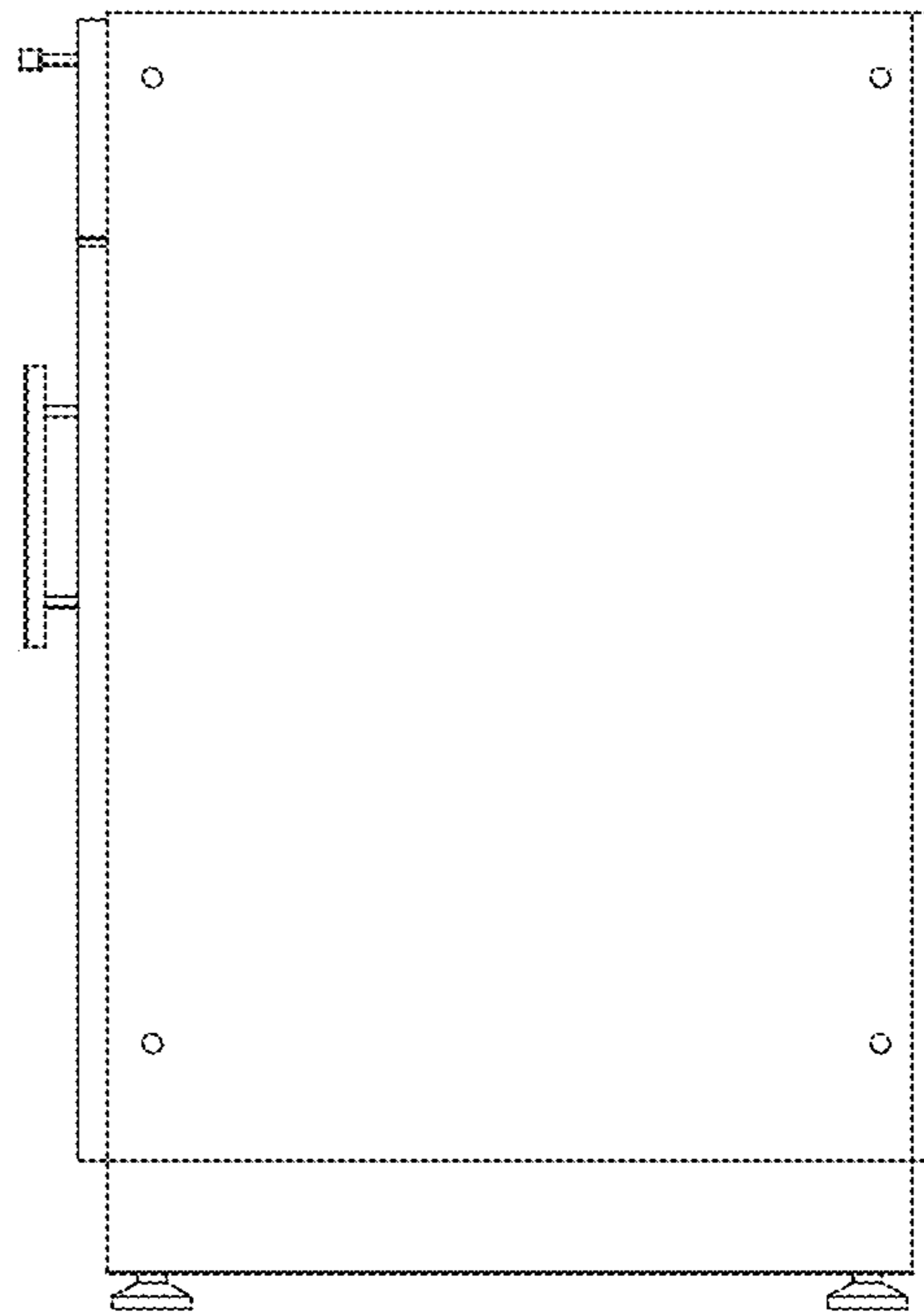


Fig-5

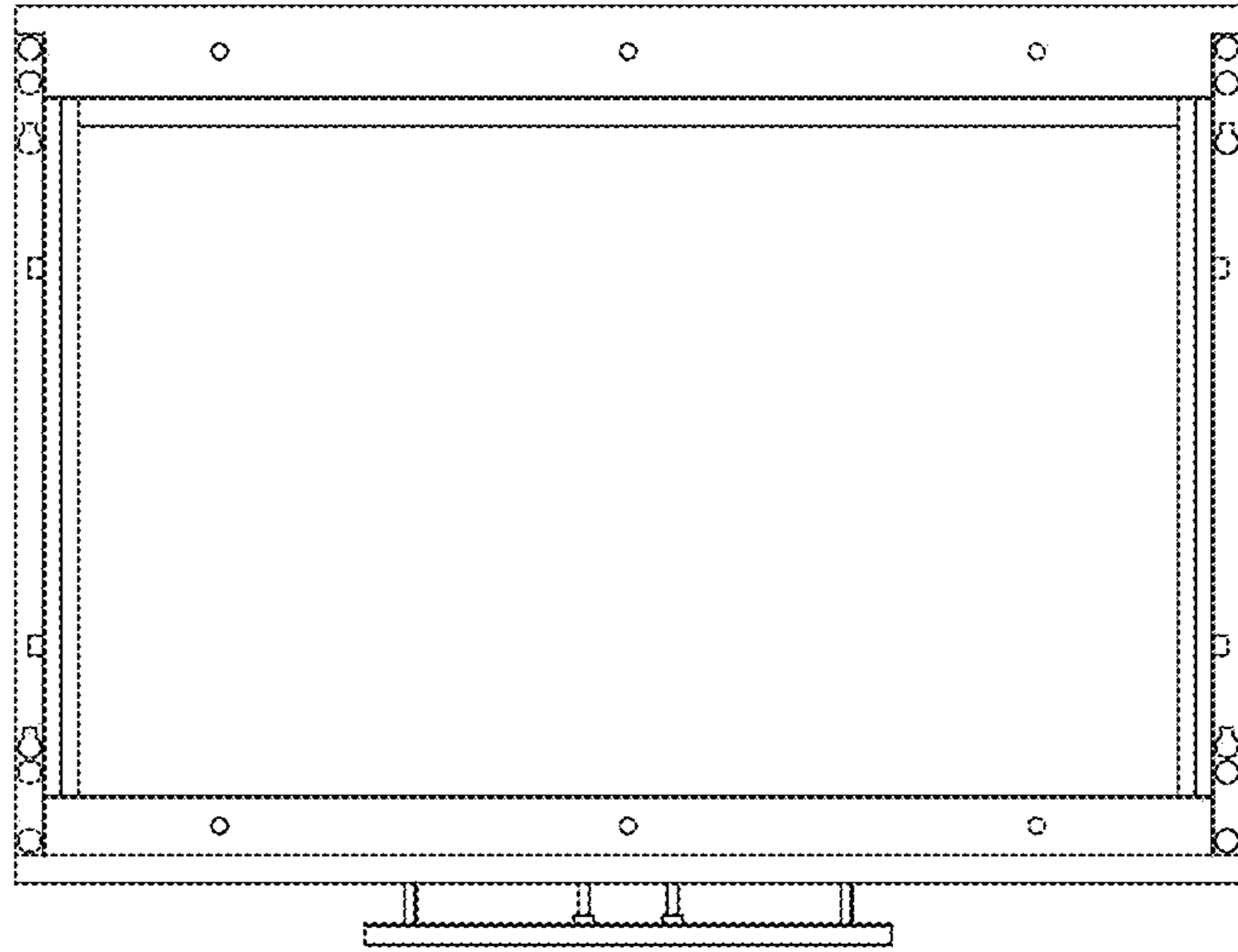


Fig-6

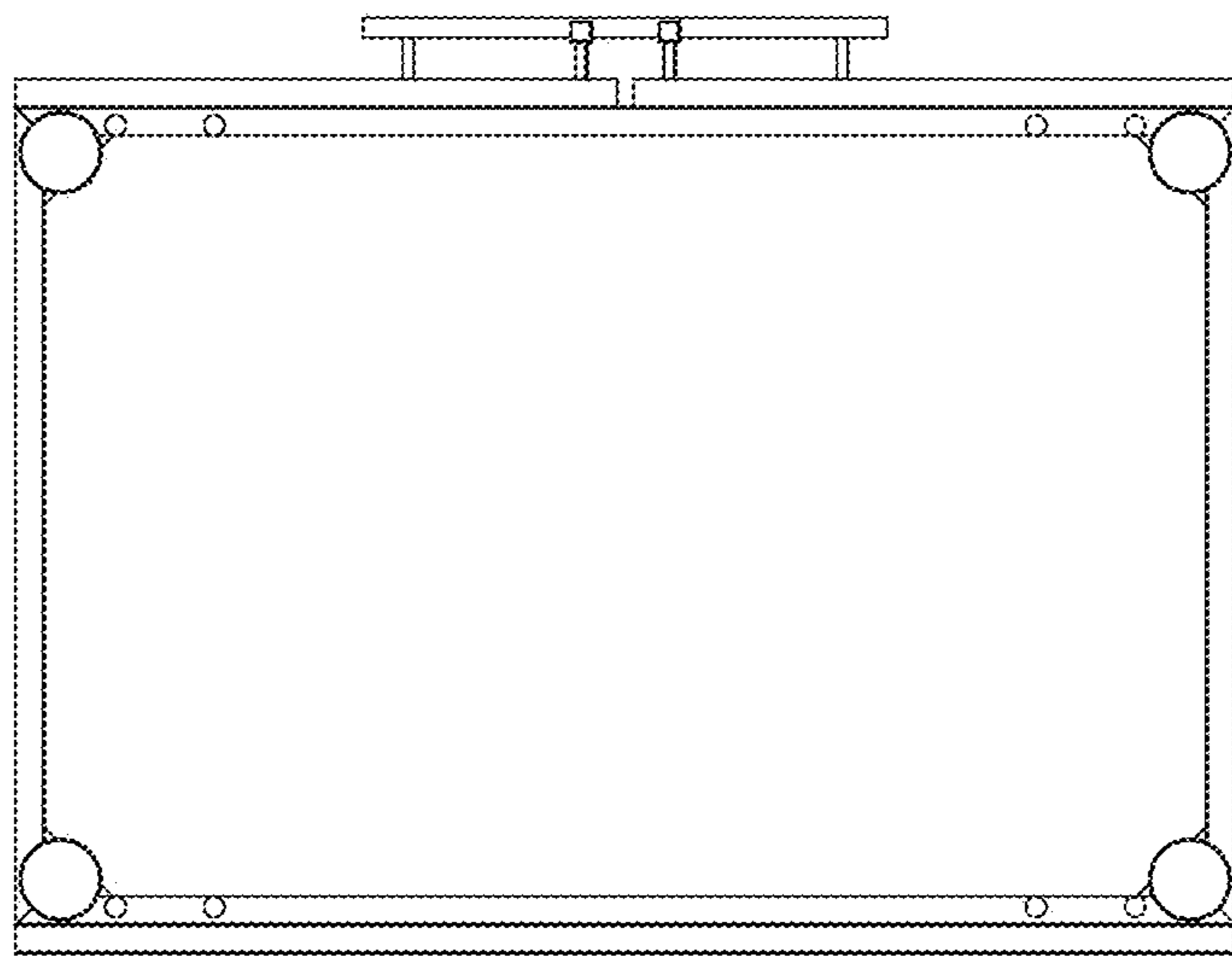


Fig-7