



US00D909797S

(12) **United States Design Patent** (10) **Patent No.:** **US D909,797 S**
Davis et al. (45) **Date of Patent:** **** Feb. 9, 2021**

(54) **CONSOLE**
(71) Applicant: **WALKER EDISON FURNITURE COMPANY LLC**, Salt Lake City, UT (US)
(72) Inventors: **Matthew Davis**, Millcreek, UT (US); **Brad Bonham**, Draper, UT (US); **Richard A. Packer**, Kaysville, UT (US); **Tiffany Duhadway**, Salt Lake City, UT (US)
(73) Assignee: **WALKER EDISON FURNITURE COMPANY LLC**, West Jordan, UT (US)

D64,390 S 4/1924 Arons
D64,922 S 6/1924 Naill
D66,028 S 11/1924 Lyons et al.
D66,889 S 3/1925 Schleicher
1,538,393 A 5/1925 Martin
D68,065 S 8/1925 Schleicher
D68,659 S 11/1925 Smith
D78,127 S 3/1929 Schleicher

(Continued)

FOREIGN PATENT DOCUMENTS

CN 304163895 9/2017
CN 305138614 5/2019

(Continued)

OTHER PUBLICATIONS

U.S. Appl. No. 29/714,849, Feb. 25, 2020 Restriction Requirement.

(Continued)

Primary Examiner — Cathron C Brooks
(74) *Attorney, Agent, or Firm* — Workman Nydegger

(57) **CLAIM**

The ornamental design for a console, as shown and described.

DESCRIPTION

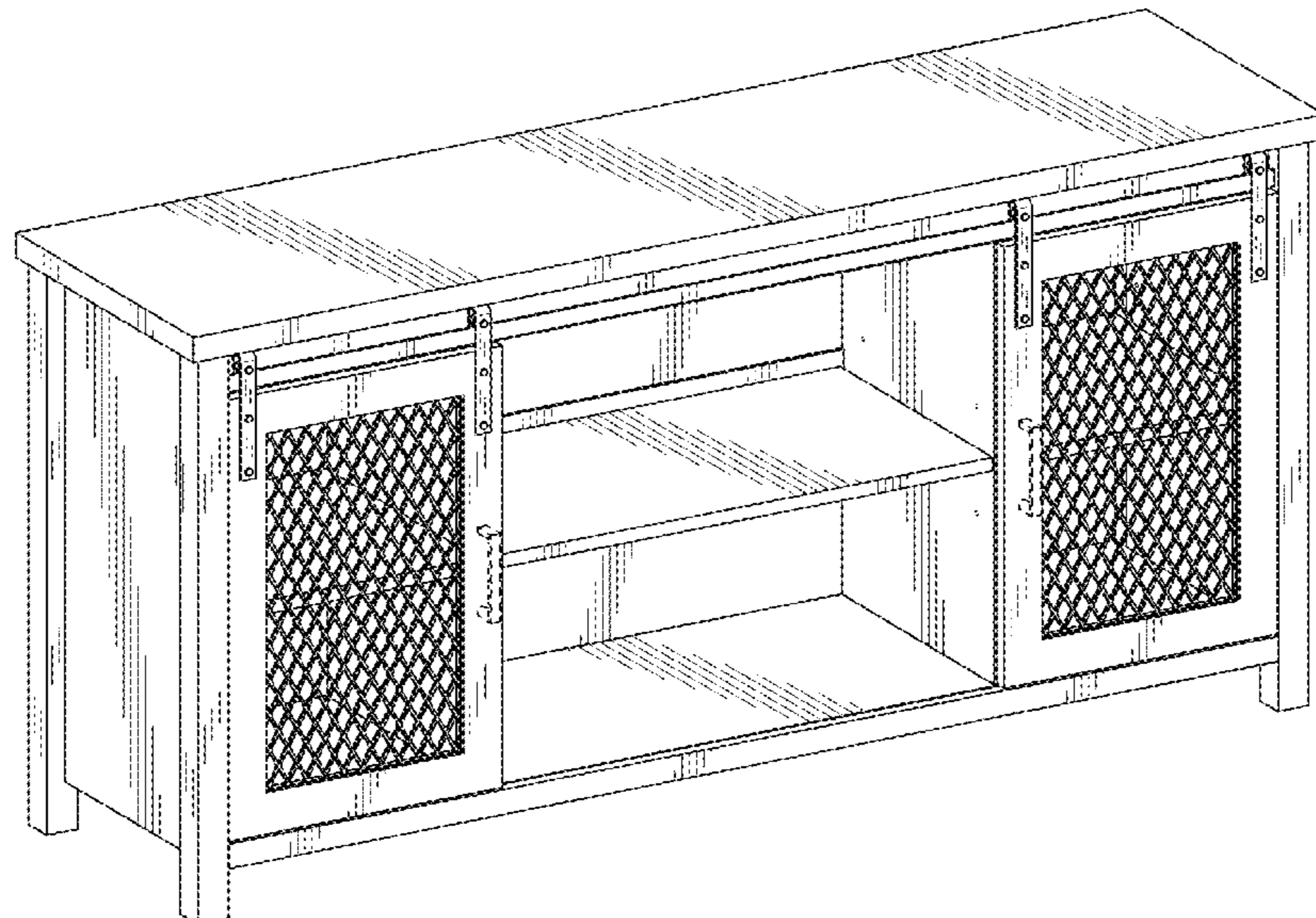
FIG. 1 is a front perspective view of a console showing the new design;
FIG. 2 is a front elevation view thereof;
FIG. 3 is a back elevation view thereof;
FIG. 4 is a top plan view thereof;
FIG. 5 is a bottom plan view thereof;
FIG. 6 is a right elevation view thereof; and,
FIG. 7 is a left elevation view thereof.
The broken lines in the drawings are for the purpose of illustrating portions of the article that form no part of the claimed design.

1 Claim, 4 Drawing Sheets

(**) Term: **15 Years**
(21) Appl. No.: **29/698,942**
(22) Filed: **Jul. 22, 2019**
(51) **LOC (13) Cl.** **06-04**
(52) **U.S. Cl.**
USPC **D6/657**
(58) **Field of Classification Search**
USPC D6/657, 659, 660, 661, 662, 662.1, 671, D6/671.1
CPC . A47B 67/00; A47B 67/04; A47B 2220/0072; A47B 2220/01; A47B 85/00
See application file for complete search history.

(56) **References Cited**
U.S. PATENT DOCUMENTS

245,925 A 8/1881 Kinsley
309,799 A 12/1884 Poulson
887,168 A 5/1908 Will
1,097,697 A 5/1914 Weston
D47,441 S 6/1915 Ullin
D47,600 S 7/1915 Koch
D61,344 S 8/1922 Mayer
1,475,088 A 11/1923 Specht et al.



(56)

References Cited

U.S. PATENT DOCUMENTS

D103,250 S	2/1937	Parrish	D353,960 S	1/1995	Barfield
D120,370 S	5/1940	Bach	5,409,122 A	4/1995	Lazarus
2,207,307 A	7/1940	Teller	5,452,812 A	9/1995	Niequist
D165,241 S	11/1951	Porter	D363,176 S	10/1995	Berry
D166,077 S	3/1952	Haas	D363,841 S	11/1995	Nourse
2,696,419 A	12/1954	Wallance	D364,055 S	11/1995	Pakla
D175,869 S	10/1955	Trout	D364,064 S	11/1995	Lorenz
2,743,720 A	5/1956	Dollinger	5,463,966 A	11/1995	Nilsson
D182,832 S	5/1958	Lubberts	D365,472 S	12/1995	Rehnberg
D182,836 S	5/1958	Lubberts	D366,110 S	1/1996	Dan
2,850,346 A	9/1958	Holderle	D367,383 S	2/1996	Hatrack-Smith
D186,115 S	9/1959	Church	D373,693 S	9/1996	Elhage
2,918,176 A	12/1959	Bell	5,628,256 A	5/1997	Lazarus
D187,232 S	2/1960	Matyas	D384,227 S	9/1997	Grosfillex
D188,196 S	6/1960	Lubberts	D385,431 S	10/1997	Lee
D188,197 S	6/1960	Swarts	5,695,081 A	12/1997	Alkalay
3,039,621 A	6/1962	Pilcher	D389,343 S	1/1998	Van Der Merwe
D193,516 S	9/1962	Deaton	D390,936 S	2/1998	French
D195,726 S	7/1963	Harper	5,752,500 A	5/1998	Jamieson
D196,451 S	10/1963	McMullen	5,782,231 A	7/1998	Wade
3,217,671 A	11/1965	Walsh	D398,788 S	9/1998	Schubert
3,272,582 A	9/1966	Anderson	5,833,084 A	11/1998	Chang
3,352,615 A	11/1967	Sandin	D403,529 S	1/1999	De Blaay
3,354,878 A	11/1967	Balls	D404,937 S	2/1999	Tarlow
D220,704 S	5/1971	Kramer	D407,577 S	4/1999	Dorst
3,589,746 A	6/1971	Inglis	D408,174 S	4/1999	Aspenwall
RE27,186 E	10/1971	Ferdinand	D420,114 S	2/2000	Johnson
RE27,200 E	10/1971	Ferdinand et al.	D423,810 S	5/2000	Dorst
3,688,707 A	9/1972	Maurice	D423,813 S	5/2000	Paus
3,762,789 A	10/1973	Robertson	D425,330 S	5/2000	O'Hare
3,766,863 A	10/1973	Swick	6,074,029 A	6/2000	Snoke
D230,446 S	2/1974	Price	D428,609 S	7/2000	Williams
D233,294 S	10/1974	Goulder	D430,431 S	9/2000	Walter
D236,676 S	9/1975	Urti	D440,079 S	4/2001	Wohlford
D236,781 S	9/1975	Cowley	D448,203 S	9/2001	Jeup
D238,277 S	12/1975	Parker	D449,184 S	10/2001	Cain
D239,352 S	3/1976	Petrick	D450,492 S	11/2001	Sabo
D240,381 S	7/1976	Tazaki	D452,624 S	1/2002	de Blois
D244,112 S	4/1977	Friedman	D454,264 S	3/2002	Patik
D244,113 S	4/1977	Friedman	D454,732 S	3/2002	Frenkler
D249,429 S	9/1978	Robinson	D455,916 S	4/2002	Fluhrer
D249,860 S	10/1978	Ungaro	6,393,207 B1	5/2002	Martin
4,182,244 A	1/1980	Hutchins	D462,008 S	8/2002	Stone
D259,316 S	5/1981	Offredi	D466,333 S	12/2002	Hwang
D262,847 S	2/1982	Keller	6,515,262 B1	2/2003	Li
D267,532 S	1/1983	Platner	D473,404 S	4/2003	De Blois
D269,754 S	7/1983	Kates	D475,225 S	6/2003	McBrayer
D270,858 S	10/1983	McInnes	D598,672 S	6/2003	Maly
D273,829 S	5/1984	Desnoyers	D477,160 S	7/2003	Grosfillex
D274,152 S	6/1984	Fleming	D478,432 S	8/2003	Juneau
D281,901 S	12/1985	Demrick	D479,925 S	9/2003	Hsieh
D283,182 S	4/1986	Marshall	D485,450 S	1/2004	Smith
D283,343 S	4/1986	Haythornthwaite	D485,709 S	1/2004	de Blois
D289,474 S	4/1987	Underwood	D486,015 S	2/2004	De Blois
D293,177 S	12/1987	Hamami	D492,989 S	7/2004	Beck
D293,521 S	1/1988	Handler	D495,898 S	9/2004	Walker
4,793,667 A	12/1988	Gilliom	6,789,859 B1	9/2004	Ho
D303,596 S	9/1989	Goetz	D497,741 S	11/2004	Sexton
D304,982 S	12/1989	Bush	D499,274 S	12/2004	Juneau
D305,930 S	2/1990	MacAleese	D499,281 S	12/2004	Yamaguchi
D306,106 S	2/1990	Bush	D499,583 S	12/2004	Anderson
D319,230 S	8/1991	Sugiyama	D502,617 S	3/2005	Chang
5,036,778 A	8/1991	Brioso	D503,570 S	4/2005	Anderson
D319,743 S	9/1991	Grey	D507,428 S	7/2005	Weatherly
D322,184 S	12/1991	Prevedello	D510,211 S	10/2005	Welborn, Jr.
D325,680 S	4/1992	Kiiski	D519,203 S	4/2006	Haas
D327,735 S	7/1992	Smith	D519,299 S	4/2006	Boudreau
D328,341 S	7/1992	Chiu	D520,779 S	5/2006	DeBlois
D329,693 S	9/1992	Mills	D522,771 S	6/2006	Berry
D330,470 S	10/1992	Bennett	D522,773 S	6/2006	Becker
D336,184 S	6/1993	Borgen	D528,327 S	9/2006	O'Reilly
D336,392 S	6/1993	Whalen	D534,379 S	1/2007	Juneau
D347,754 S	6/1994	Mehlin	D534,998 S	1/2007	Charnick
D348,576 S	7/1994	Narramore	D536,770 S	2/2007	Mayer
D348,726 S	7/1994	Wilson	D538,406 S	3/2007	Mayer
			D539,057 S	3/2007	Senda
			D542,059 S	5/2007	Moyle
			D543,057 S	5/2007	Grady
			D543,728 S	6/2007	Becker

(56)

References Cited

U.S. PATENT DOCUMENTS

D548,488 S	8/2007	Weatherly		8,813,656 B1	8/2014	Hazzard
D548,490 S	8/2007	Becker		D716,288 S	10/2014	O'Heron
D549,991 S	9/2007	Stravitz		D717,081 S	11/2014	Dworman
D553,879 S	10/2007	Juneau		D717,569 S	11/2014	Davis
D554,393 S	11/2007	Yalif		D718,956 S	12/2014	Helser
D555,397 S	11/2007	Yalif		D718,957 S	12/2014	Helser
D559,017 S	1/2008	Domack		D719,384 S	12/2014	Sowers
D559,583 S	1/2008	Zambelli		D720,563 S	1/2015	Burden
D559,584 S	1/2008	Zambelli		D723,148 S	2/2015	Lawrence
D559,585 S	1/2008	Lara		D723,843 S	3/2015	Lai
D560,077 S	1/2008	Zambelli		9,004,060 B2	4/2015	Benedetti
D560,396 S	1/2008	Weatherly		D728,975 S	5/2015	Park
D560,403 S	1/2008	Domack		D730,089 S	5/2015	Carbone
D560,930 S	2/2008	Woodward		D731,823 S	6/2015	Kelinske
D561,317 S	2/2008	Ou		D736,012 S	8/2015	Davis
D562,597 S	2/2008	Weatherly		D737,418 S	8/2015	Hrydovyy
D564,789 S	3/2008	deCarolis		D738,477 S	9/2015	Nemes
D567,346 S	4/2008	Lin		D738,647 S	9/2015	Muller
D587,483 S	3/2009	Zambelli		D741,090 S	10/2015	Ward
D587,484 S	3/2009	Domack		D741,630 S	10/2015	Meissner
D587,497 S	3/2009	Zambelli		D742,142 S	11/2015	Everson
D588,831 S	3/2009	Mohundro		D742,662 S	11/2015	Muller
D589,280 S	3/2009	Zambelli		D743,192 S	11/2015	Davis
D591,533 S	5/2009	Karsson		D746,614 S	1/2016	Sheppard
D592,432 S	5/2009	Sexton		D747,123 S	1/2016	Zambelli
7,530,538 B2	5/2009	Whalen		D747,788 S	1/2016	Baker
D593,776 S	6/2009	Sexton		D747,900 S	1/2016	Sheppard
D594,248 S	6/2009	Zambelli		9,228,742 B2	1/2016	Akiyama
D595,979 S	7/2009	Schweikarth		D748,768 S	2/2016	Stanton
D604,546 S	11/2009	Alman		D752,905 S	4/2016	Healy
D605,874 S	12/2009	Zambelli		D753,930 S	4/2016	Vengadakrishnan
D606,331 S	12/2009	Wicha		D757,350 S	5/2016	Levy
D609,503 S	2/2010	Hayes		D758,766 S	6/2016	Kirar
D611,727 S	3/2010	Vail		D759,997 S	6/2016	Ruiz
D614,888 S	5/2010	Sexton		D767,752 S	9/2016	Davis
D618,015 S	6/2010	Sexton		D767,753 S	9/2016	Edmund
D618,016 S	6/2010	Metcalf		D768,413 S	10/2016	Huang
D620,278 S	7/2010	Zambelli		D773,862 S	12/2016	Davis
D620,283 S	7/2010	Calco		D775,866 S	1/2017	Ben Avi
D622,834 S	8/2010	Jiang		D777,479 S	1/2017	Anderson
D623,442 S	9/2010	Zambelli		D778,641 S	2/2017	Anderson
D623,876 S	9/2010	Zambelli		D778,646 S	2/2017	Davis
D623,877 S *	9/2010	Zambelli D6/661	D783,324 S	4/2017	Akana
D625,123 S	9/2010	Zambelli		D791,302 S	7/2017	Davis
D630,453 S	1/2011	Rafieha		D791,522 S	7/2017	Rodd
D632,902 S	2/2011	Rafieha		D792,132 S	7/2017	Peota
D638,922 S	5/2011	Zhou		D793,776 S	8/2017	Davis
7,934,494 B1	5/2011	Schneider		D798,640 S	10/2017	Anderson
D640,072 S	6/2011	Sexton		D804,861 S	12/2017	Failing
D641,861 S	7/2011	Okamoto		D807,671 S	1/2018	Caillouet
D644,853 S	9/2011	Becker		D808,203 S	1/2018	Davis
D653,051 S	1/2012	Lin		D808,688 S *	1/2018	Everson D6/657
D653,739 S	2/2012	Gibbs		D808,690 S	1/2018	Hsu
D654,289 S	2/2012	Zambelli		D812,938 S	3/2018	Moore
D654,995 S	2/2012	Asofsky		D814,410 S	4/2018	Emslie
D654,996 S	2/2012	Asofsky		D815,465 S	4/2018	Hannoosh
D655,946 S	3/2012	Sexton		D817,037 S	5/2018	Davis
D658,750 S	5/2012	Nemes		D817,038 S	5/2018	Davis
D663,137 S	7/2012	Andersen		D817,040 S	5/2018	Davis
D663,138 S *	7/2012	Andersen D6/661	D817,666 S	5/2018	Davis
D665,897 S	8/2012	Martin		D817,667 S	5/2018	Davis
D666,281 S	8/2012	Nemes		D818,750 S	5/2018	Hannoosh
D667,653 S	9/2012	Lenney		D821,038 S	6/2018	Rathman
D667,654 S *	9/2012	Lenney D6/671.1	D824,703 S	8/2018	Yamamoto
D668,475 S	10/2012	Zambelli		D825,233 S	8/2018	Yamamoto
D669,704 S	10/2012	Zambelli		D825,959 S	8/2018	Rockwell
D669,706 S	10/2012	Zambelli		D833,782 S	11/2018	Amacher
D669,707 S	10/2012	Zambelli		D834,354 S	11/2018	Davis
D670,105 S	11/2012	Jespersen		D834,355 S	11/2018	Davis
D674,891 S	1/2013	Huang		D835,437 S	12/2018	Stukenberg
D675,716 S	2/2013	Schwartz		D835,925 S	12/2018	Denby
D687,250 S	8/2013	Weatherly		D838,523 S	1/2019	Yamamoto
D694,873 S	12/2013	Nemes		D843,756 S	3/2019	Johnson
D696,758 S	12/2013	Ernst		D845,041 S	4/2019	Davis
8,607,776 B2	12/2013	Jansson		D845,679 S	4/2019	Li
				D845,683 S	4/2019	Pedersen
				D848,766 S	5/2019	Chen
				D848,767 S	5/2019	Smrstick
				D848,768 S	5/2019	Johnson

(56)

References Cited

U.S. PATENT DOCUMENTS

D848,770	S	5/2019	Davis	
D849,457	S	5/2019	Kundig	
D850,815	S	6/2019	Nicoll	
D851,426	S	6/2019	Saotome	
D852,429	S	6/2019	Rathman	
D853,052	S	7/2019	Rathman	
D858,148	S	9/2019	Crutcher	
D859,038	S	9/2019	Davis	
D860,687	S	9/2019	Parikh	
D861,388	S	10/2019	Bray	
D862,940	S	10/2019	Bray	
D867,032	S	11/2019	Bellini	
D869,201	S	12/2019	Davis	
D869,202	S	12/2019	Davis	
D870,493	S	12/2019	Young	
D874,192	S	2/2020	Velez	
D878,116	S	3/2020	Davis	
D878,816	S	* 3/2020	Davis D6/657
D878,817	S	3/2020	Davis	
D878,823	S	3/2020	Davis	
D879,516	S	3/2020	Davis	
D882,989	S	5/2020	Davis	
D885,091	S	5/2020	Davis	
D886,499	S	6/2020	Davis	
D888,467	S	6/2020	Li	
D891,831	S	8/2020	Davis	
D894,641	S	9/2020	Davis	
2004/0074858	A1	4/2004	Thuma	
2004/0079714	A1	4/2004	Andrew	
2004/0222721	A1	11/2004	Kelley	
2004/0237853	A1	12/2004	Sholz	
2005/0000241	A1	1/2005	Kucera	
2005/0103734	A1	5/2005	Saltzberg	
2007/0062983	A1	3/2007	Barnett	
2007/0138119	A1	6/2007	Schwerdlin	
2007/0236111	A1	10/2007	Gray	
2007/0236113	A1	10/2007	McCambridge	
2008/0116771	A1	5/2008	Green	
2008/0181587	A1	7/2008	Patil	
2008/0203042	A1	8/2008	Felsenthal	
2008/0216817	A1	9/2008	Yungbluth	
2009/0025414	A1	1/2009	Koga	
2009/0151375	A1	6/2009	Tarr	
2009/0170421	A1	7/2009	Adrian	
2009/0220221	A1	9/2009	Zhou	
2010/0307179	A1	12/2010	Fava	
2011/0000477	A1	1/2011	Kwon	
2011/0017691	A1	1/2011	Wu	
2011/0079688	A1	4/2011	Grove	
2011/0080261	A1	4/2011	Asofsky	
2011/0120166	A1	5/2011	Nadel	
2011/0220090	A1	9/2011	Atemboski	
2014/0116418	A1	5/2014	Thomas	
2014/0239136	A1	8/2014	Ortega	
2014/0252939	A1	9/2014	Tunzi	
2014/0265754	A1	9/2014	Patterson	
2014/0265807	A1	9/2014	Kendall	
2014/0318529	A1	10/2014	Nielsen	
2015/0182021	A1	7/2015	Chang	
2015/0323190	A1	11/2015	Stein	
2016/0018112	A1	1/2016	Phillips	
2016/0100698	A1	4/2016	Clark	
2016/0157605	A1	6/2016	Grad	
2016/0209102	A1	7/2016	Vulava	
2016/0223213	A1	8/2016	Grohova	
2016/0256032	A1	9/2016	Bhajak	
2017/0089587	A1	3/2017	Nemes	
2017/0211814	A1	7/2017	Bourne	
2018/0064246	A1	3/2018	Kassanoff	

FOREIGN PATENT DOCUMENTS

GB	1162368	8/1969
GB	4001474	5/2007

GB	4032905	11/2013
GB	4034171	7/2014
WO	WOD076242-061	5/2011

OTHER PUBLICATIONS

U.S. Appl. No. 29/720,093, filed Jan. 9, 2020, Davis.
 U.S. Appl. No. 29/714,849, filed Nov. 26, 2019, Davis.
 U.S. Appl. No. 29/720,729, filed Jan. 15, 2020, Davis.
 U.S. Appl. No. 29/720,732, filed Jan. 15, 2020, Davis.
 U.S. Appl. No. 29/721,435, filed Jan. 21, 2020, Davis.
 U.S. Appl. No. 29/720,734, filed Jan. 15, 2020, Davis.
 U.S. Appl. No. 29/720,923, filed Jan. 16, 2020, Davis.
 U.S. Appl. No. 29/720,927, filed Jan. 16, 2020, Davis.
 U.S. Appl. No. 29/720,942, filed Jan. 16, 2020, Davis.
 U.S. Appl. No. 29/720,948, filed Jan. 16, 2020, Davis.
 U.S. Appl. No. 29/721,166, filed Jan. 17, 2020, Davis.
 60" Tiered Top Console; <https://www.wayfair.com/furniture/pdp/real-flame-calie-tv-stand-for-tvs-up-to-48-inches-with-electric-fireplace-included-jfp1647.html>; Retrieved on Dec. 12, 2019.
 58" Lincoln Console; <https://www.pinterest.com/pin/312366924137895643>; Retrieved on Aug. 9, 2018.
 58" Lincoln Console; https://www.miniforms.com/en/products/4_buffet-and-cabinet/105_edge/#f; Retrieved on Aug. 9, 2018.
 60" Jacklyn TV Console; <https://www.pinterest.com/pin/33636328451628908/>; Retrieved on Apr. 16, 2018.
 60" Victor TV Console; <https://www.pinterest.com/pin/33636328453466237/>; Retrieved on Apr. 11, 2018.
 70" Tiered Top Open Shelf Fireplace; <https://www.wayfair.com/furniture/pdp/real-flame-calie-tv-stand-for-tvs-up-to-48-inches-with-electric-fireplace-included-jfp1647.html>; Retrieved on Jan. 10, 2018.
 48" Radcliff Buffet; <https://www.walkerredison.com/buffet-52-console-table.html>; Retrieved on Jul. 19, 2018.
 U.S. Appl. No. 29/654,952, Feb. 12, 2020, Notice of Allowance.
 U.S. Appl. No. 29/611,962, filed Jul. 27, 2017, Davis.
 U.S. Appl. No. 29/611,963, filed Jul. 27, 2017, Davis.
 U.S. Appl. No. 29/634,946, filed Jan. 25, 2018, Davis.
 U.S. Appl. No. 29/634,903, filed Jan. 25, 2018, Davis.
 U.S. Appl. No. 29/654,941, filed Jun. 28, 2018, Davis.
 U.S. Appl. No. 29/654,935, filed Jun. 28, 2018, Davis.
 U.S. Appl. No. 29/654,950, filed Jun. 28, 2018, Davis.
 U.S. Appl. No. 29/656,499, filed Jul. 12, 2018, Davis.
 U.S. Appl. No. 29/656,479, filed Jul. 12, 2018, Davis.
 U.S. Appl. No. 29/656,485, filed Jul. 12, 2018, Davis.
 U.S. Appl. No. 29/656,486, filed Jul. 12, 2018, Davis.
 U.S. Appl. No. 29/656,497, filed Jul. 12, 2018, Davis.
 U.S. Appl. No. 29/654,930, filed Jun. 28, 2018, Davis.
 U.S. Appl. No. 29/654,936, filed Jun. 28, 2018, Davis.
 U.S. Appl. No. 29/654,952, filed Jun. 28, 2018, Davis.
 U.S. Appl. No. 29/656,492, filed Jul. 12, 2018, Davis.
 U.S. Appl. No. 29/656,489, filed Jul. 12, 2018, Davis.
 U.S. Appl. No. 29/634,889, filed Jan. 25, 2018, Davis.
 U.S. Appl. No. 29/677,722, filed Jan. 23, 2019, Davis.
 U.S. Appl. No. 29/677,723, filed Jan. 23, 2019, Davis.
 U.S. Appl. No. 29/677,724, filed Jan. 23, 2019, Davis.
 U.S. Appl. No. 29/677,738, filed Jan. 23, 2019, Davis.
 U.S. Appl. No. 29/677,755, filed Jan. 23, 2019, Davis.
 U.S. Appl. No. 29/677,761, filed Jan. 23, 2019, Davis.
 U.S. Appl. No. 29/698,919, filed Jul. 22, 2019, Davis.
 U.S. Appl. No. 29/698,928, filed Jul. 22, 2019, Davis.
 U.S. Appl. No. 29/698,940, filed Jul. 22, 2019, Davis.
 U.S. Appl. No. 29/699,063, filed Jul. 23, 2019, Davis.
 U.S. Appl. No. 29/699,066, filed Jul. 23, 2019, Davis.
 U.S. Appl. No. 29/699,071, filed Jul. 23, 2019, Davis.
 U.S. Appl. No. 29/699,073, filed Jul. 23, 2019, Davis.
 U.S. Appl. No. 29/699,078, filed Jul. 23, 2019, Davis.
 U.S. Appl. No. 29/698,942, filed Jul. 22, 2019, Davis.
 U.S. Appl. No. 29/698,947, filed Jul. 22, 2019, Davis.
 Electric fireplace, image post date May 26, 2014, site visited Aug. 8, 2016, (online), <<https://www.tineye.com/search/3c3d0cbfb7030b3079ebefa0774a5b4e94120332/?pluginver>>.

(56)

References Cited

OTHER PUBLICATIONS

Media Console with Electric Fireplace, image post date Dec. 6, 2015, site visited Aug. 8, 2016, (online), <<http://www.overstock.com/Home-Garden/Media-Console-with-Electric-Fireplace-in-Barnwood/10309735/product.html?recset=05953330-aaal-4640-a796-f225c2f8176d&refccid=MRISGBB2MZGZXYKK4EFVI25H6Q&recalg=809,828,512&recidx=1#reviews>>.

Tv Stand With Fireplace, image post date Sep. 12, 2015, site visited Aug. 8, 2016, (online), <<https://www.tineye.com/search/77be8934bf07249cbb245c8ea0f719199437b185/>>.

Walker Edison TV Stand with Fireplace Insert, image post date Jul. 31, 2015, site visited Aug. 8, 2016, (online), <<https://www.amazon.com/Walker-Edison-Fireplace-Insert-Espresso/dp/BOOPNONTAK>>.

Manchester Fireplace TV Console, image post date Dec. 17, 2015, site visited Aug. 8, 2016, (online), <<http://www.walmart.com/ip/Manchester-Media-Fireplace-Stand-for-TVs-up-to-70/46360223>>.

Monet Fireplace; Canadian Tire Company website: <http://www.canadiantire.ca/en/pdp/monet-fireplace-0643572p.html>; retrieved on Dec. 21, 2016.

TV and Media Consoles, image post date Sep. 21, 2013, site visited Oct. 26, 2016, (online), <http://web.archive.org/web/20130921074219/http://www.electrificfireplacesdirect.com/Gallery/tv-and-media-consoles.html>>.

"Kendall Electric Media Fireplace—Espresso" Dec. 24, 2012, amazon.com, site visited Mar. 6, 2018 <https://www.amazon.com/Kendall-Electric-Media-Fireplace-Espresso/dp/B009L1T6XQ/ref=cm_cr_arp_d_product_top?ie=UTF8> (Year: 2012).

"Whalen Media Fireplace Console for TVs up to 70" Gray" Nov. 24, 2015, walmart.com, site visited Mar. 6, 2018 <<https://www.walmart.com/ip/Whalen-Media-Fireplace-Console-for-TVs-up-to-70-Gray/54189794>> (Year: 2015).

"Boston Loft Furnishings . . ." Nov. 7, 2016, themine.com, site visited Mar. 2, 2018 https://www.themine.com/tv-stands/boston-loft-furnishings-reamrock-infrared-electric-fireplace-media-stand-with-convertible-corner_g2733659.html> (Year: 2016).

"Ameriwood Home Everett 70-inch . . ." Dec. 6, 2016, overstock.com, site visited Mar. 2, 2018 <<https://www.overstock.com/Home-Garden/Ameriwood-Home-Everett-70-inch-Sonoma-Oak-TVStand-with-Glass-Doors/12710691/product.html>> (Year: 2016).

Metal Coffee Table; <https://www.overstock.com/Home-Garden/42-Metal-Coffee-Table-42-x-24-x-18h/15951452/product.html> Retrieved on Nov. 13, 2018.

Modern Two-Tone Writing Desk; <https://www.overstock.com/Home-Garden/44-Modern-Two-Tone-Writing-Desk/19684325/product.html> Retrieved on Nov. 13, 2018.

Czapla TV Stand for TVs up to 65"; <https://www.allmodern.com/furniture/pdp/mercury-row-czapla-tv-stand-for-tvs-up-to-65-a000303456.html> ; Retrieved on May 7, 2019.

Nelson Media Cabinet; <https://www.franceandson.com/collections/storage-shelving-media-cabinets/products/nelson-media-cabinet36051> ; Retrieved on May 7, 2019.

Hal TV Stand for TVs up to 60"; <https://www.allmodern.com/furniture/pdp/hal-tv-stand-for-tvs-up-to-60-a000176456.html> ; Retrieved on May 7, 2019.

Wigington TV Stand for TVs up to 60"; <https://www.allmodern.com/furniture/pdp/wigington-tv-stand-for-tvs-up-to-60-golv3670.html?piid> ; Retrieved on May 7, 2019.

Cliffmay Slat Media Stand Light Oak Brown—Project 62; https://www.target.com/p/cliffmay-slat-media-stand-light-oak-brown-project-62-153/-/A-53517373!ref=tgt_adv_XS000000&AFID=google_pla_df&fndsrc=tgtao&CPNG=PLA_Furniture%2BShopping_Priority%2BBrands&adgroup=SC_Project+62&LID=700000001170770pgs&network=g&device=c&location=9029756&gclid=aw.ds&ds_rl=1246978&ds_rl=1247068&ds_rl=1246978&ref=tgt_adv_XS000000&AFID=google_pla_df&CPNG=PLA_Furniture+Shopping_Priority+Brands&adgroup=SC_Project%2062&LID=700000001170770pgs&network=g&device=c&location=9029756&gclid=EAIaIQobChMI7Nb9wo-H3wIVBylpCh1fSg4IEAQYBSABEGK_yPD_BwE&gclid=aw.ds ; Retrieved on May 7, 2019.

Audrey Woven Media Console 65"; <https://www.zinhome.com/audrey-woven-media-console-65/> ; Retrieved on May 14, 2019.

Demilune Mesh Door Industrial Sideboard; https://belleescape.com/demilune-mesh-wire-door-industrial-chic-sideboard.html?_SID=U ; Retrieved on May 14, 2019.

Tuk Cabinet; <https://blackroosterdecor.com/collections/storage/products/tuk-cabinet> ; Retrieved on May 14, 2019.

Rustic Style 31 Inches Metal TV Stand With Wire Mesh Doors Cabinet, Black; <https://ftcasagear.com/products/rustic-style-31-inches-metal-tv-stand-with-wire-mesh-doors-cabinet-black>; May 14, 2019.

Geo-Marquetry Buffet; https://www.anthropologie.com/shop/geo-marquetry-buffet?adpos=1o27&adtype=pla&cm_mmc=Google_-US%20-%20Shopping%20-%20Furniture-_-Organizing%20and%20Storage_-42699934&color=&countryCode=US&creative=191389729567&device=c&gclid=EAIaIQobChMIvuTGgYOH3wIVEdNkCh3t8wRPEAkYGyABEGJG_PD_BwE&inventoryCountry=US&matchtype=&mrkgadid=3202938336&mrkgcl=694&network=g&product_id=42699934&quantity=1&size=ALL&type=STANDARD&utm_campaign=US%20-%20Shopping%20-%20Furniture&utm_content=42699934&utm_medium=paid_search&utm_source=Google&utm_term=Organizing%20and%20Storage; Retrieved on May 14, 2019.

Suspend II Media Console; <https://www.cb2.com/suspend-ii-media-console/s523915>; Retrieved on May 14, 2019.

Hooker Furniture Melange Mirrored Angle Console; https://www.furniturecrate.com/hooker-melange-mirrored-angle-console.html?gdftrk=gdfV21650_a_7c92_a_7c8357_a_7c654170&gclid=CjwKEAiA05unBRCymrGilanF9SwSJACqDFRm1WwgePUSp65sXRCI4RkJfScYn-yCjNuB-GTt3W-FxoCQL7w_wcB; Retrieved on May 14, 2019.

FurnitureMaxx Besteen Contemporary Wood Dark Gray Dining Room Server; https://www.amazon.com/dp/B07GVS1VK2/ref=cm_sw_r_pi_dp_U_x_evuOBbFM3298G; Retrieved on May 14, 2019.

Jaydyn Media TV Stand/Credenza; https://www.macys.com/shop/product/jaydyn-media-tv-stand-credenza?ID=2883210&CategoryID=35319#fn=FURNITURE_CATEGORY=Buffet%20%20&%20Sideboards&SIZE=&sp=3&spc=131&ruleId=129%7CBOOST%20ATTRIBUTE%7CBOOST%20SAVED%20SET&searchPass=matchNone&slotId=2; Retrieved on May 14, 2019.

Sideboard; <https://www.allmodern.com/furniture/pdp/sideboard-sct11710.html>; Retrieved on May 14, 2019.

Belham Living Trenton Industrial End Table; https://www.hayneedle.com/product/belham-living-trenton-industrial-end-table-new.cfm?source=pla&kwid=OccasionalTables%20iprefer&tid=REDU113-1&adtype=pla&kw=&gclid=EAIaIQobChMIvOu-6veI3wIVB8ZkCh0ZdAf-EAkYAyABEGLyMfD_BwE; Retrieved on May 15, 2019.

Belham Living Hampton Chair Side Table—Black; <https://www.hayneedle.com/product/belham-living-hampton-chair-side-table-black.cfm>; Retrieved on May 15, 2019.

International Concepts Hampton End Table; https://www.hayneedle.com/product/internationalconceptshamptonendtable.cfm?source=pla&kwid=OccasionalTables%20level05&tid=WW1545-1&adtype=pla&kw=&gclid=EAIaIQobChMIpsnoq_mI3wIVGNVCh348gtdEAKYiABEGLP7fD_BwE; Retrieved on May 15, 2019.

Hampton Weathered Taupe Gray Coffee Table; https://www.homedepot.com/p/International-Concepts-Hampton-Weathered-Taupe-Gray-Coffee-Table-OT09-70C/302946359?MERCH=REC_-PIPHorizontal2_rr_-204737265_-302946359_-N; Retrieved on May 15, 2019.

Convenience Concepts Oxford Rectangle Coffee Table; https://www.hayneedle.com/product/convenience-concepts-oxford-rectangle-coffee-table.cfm?source=pla&kwid=OccasionalTables%20newskus&tid=CONV338-5&adtype=pla&kw=&gclid=EAIaIQobChMIhuzv9_mI3wIVWx-tBhUrUAltEAKYHYABEGJ2hPD_BwE; Retrieved on May 15, 2019.

Belham Living Jamestown Rustic Coffee Table with Unique Driftwood Finish; <https://www.hayneedle.com/product/jamestown-rustic-coffee-table.cfm>; Retrieved on May 15, 2019.

Pinterest; www.pinterest.com/pin/336328451393621/; Retrieved on Jun. 12, 2019.

(56)

References Cited

OTHER PUBLICATIONS

Target Winham TV Stand—Threshold; www.target.com/p/windham-tv-stand-threshold-153/-/A-54301349; Retrieved on Jun. 12, 2019.

Pinterest DIY Farmhouse Coffee Table Cabinet; www.pinterest.com/pin/33636328450994833/; Retrieved on Jun. 12, 2019.

Image seen on Pinterest DIY Project; Pinterest.com; Seen approximately Aug. 1, 2017.

World Market—Metal Bexley Bar; www.worldmarket.com/product/metal+bexley+bar.do?pp=1; Retrieved on Sep. 25, 2019.

Overstock—Nova Domus Soria Modern Walnut TV Stand; https://www.overstock.com/Home-Garden/Nova-Domus-Soria-Modern-Walnut-TV-Stand/10359356/product.html?utm_campaign=pin_button&utm_medium=Social&utm_source=Pinterest; Retrieved on Jun. 12, 2019.

42 in. Metal and Wood Desk with Glass and Shelf Grey Wash by Walker Edison Furniture Company—Home Depot <https://www.homedepot.com/p/Walker-Edison-Furniture-Company-42-in-Metal-and-Wood-Desk-with-Glass-and-Shelf-Grey-Wash-HDM42JERGW/305309102> retrieved from the internet on Sep. 9, 2019.

Dark Walnut Wood and Glass Coffee Table by Walker Edison Furniture Company—Home Depot <https://www.homedepot.com/p/Walker-Edison-Furniture-Company-Dark-Walnut-Wood-and-Glass-Coffee-Table-HDF42JMGLDW/305308482> retrieved from the internet on Nov. 6, 2019.

“Baum TV Stand for TVs up to 58 inches” Wayfair. (Accessed Nov. 14, 2019).

“Dark Walnut 70" TV Stand” Pier1. (Accessed Nov. 14, 2019).

“Seren TV Stand for TVs up to 50 inches” Wayfair. (Accessed Nov. 14, 2019).

“Shreffler TV Stand for TVs up to 78 inches” Wayfair. (Accessed Nov. 14, 2019).

Electric Fireplaces Direct.com. <https://www.electricfireplacesdirect.com/products-accessories/tv-media-consoles/shelby-electric-fireplace-media-console-in-white-c3p18c9-2030w.html>. “Shelby Electric Fireplace Media Console in White”. Date unknown: Viewed Dec. 2019 (Year: 2019).

Pikove. <https://pikove.com/media/509962357792326443>. “Home Decor”. Feb. 2017 (Year: 2017).

Luno. <https://iamluno.com/product/kc27-record-console-new/>. “KC27 Hifi Record Console”. Date unknown: Viewed December 2019 (Year: 2019).

U.S. Appl. No. 29/654,936, Jun. 19, 2019, Notice of Allowance.

U.S. Appl. No. 29/656,479, Jun. 27, 2019, Notice of Allowance.

U.S. Appl. No. 29/654,950, Sep. 25, 2019, Restriction Requirement.

U.S. Appl. No. 29/656,489, Sep. 25, 2019, Office Action.

U.S. Appl. No. 29/656,497, Sep. 25, 2019, Office Action.

U.S. Appl. No. 29/656,499, Sep. 26, 2019, Office Action.

U.S. Appl. No. 29/656,486, Sep. 27, 2019, Notice of Allowance.

U.S. Appl. No. 29/656,485, Oct. 2, 2019, Notice of Allowance.

U.S. Appl. No. 29/656,479, Oct. 21, 2019, Notice of Allowance.

U.S. Appl. No. 29/654,952, Nov. 15, 2019, Office Action.

U.S. Appl. No. 29/656,492, Nov. 18, 2019, Notice of Allowance.

U.S. Appl. No. 29/634,946, Dec. 12, 2019, Office Action.

U.S. Appl. No. 29/656,485, Dec. 18, 2019, Notice of Allowance.

U.S. Appl. No. 29/654,950, Dec. 27, 2019, Notice of Allowance.

U.S. Appl. No. 29/656,499, Jan. 23, 2020, Notice of Allowance.

U.S. Appl. No. 29/656,497, Jan. 23, 2020, Notice of Allowance.

U.S. Appl. No. 29/656,489, Jan. 24, 2020, Notice of Allowance.

U.S. Appl. No. 29/743,237, filed Jul. 20, 2020, Packer.

U.S. Appl. No. 29/743,240, filed Jul. 20, 2020, Packer.

U.S. Appl. No. 29/743,244, filed Jul. 20, 2020, Packer.

U.S. Appl. No. 29/743,246, filed Jul. 20, 2020, Packer.

U.S. Appl. No. 29/743,247, filed Jul. 20, 2020, Packer.

U.S. Appl. No. 29/743,250, filed Jul. 20, 2020, Packer.

U.S. Appl. No. 29/743,416, filed Jul. 21, 2020, Packer.

U.S. Appl. No. 29/743,418, filed Jul. 21, 2020, Packer.

U.S. Appl. No. 29/743,423, filed Jul. 21, 2020, Packer.

U.S. Appl. No. 29/743,584, filed Jul. 22, 2020, Packer.

U.S. Appl. No. 29/728,971, filed Mar. 23, 2020, Davis.

Office Action for U.S. Appl. No. 29/677,761, dated Sep. 1, 2020.

Foundry Select Arsenault Coffee Table, www.wayfair.ca [online]. Published on or before Aug. 11, 2020, [retrieved on Aug. 11, 2020], Retrieved from the Internet: <URL:<https://www.wayfair.ca/furniture/pdp/foundry-select-arsenault-coffee-table-c003159996.html>> (Year: 2020).

Notice of Allowance for U.S. Appl. No. 29/699,063, dated Sep. 2, 2020.

Notice of Allowance for U.S. Appl. No. 29/714,849 dated Apr. 6, 2020.

Notice of Allowance for U.S. Appl. No. 29/634,946 dated Apr. 8, 2020.

Notice of Allowance for U.S. Appl. No. 29/654,952 dated Apr. 21, 2020.

Pinterest; Cabinet Furniture; wood veneer sideboard with doors—Edge Collection by Miniforms; <https://www.pinterest.com/pin/312366924137895643>; Retrieved on Aug. 9, 2018.

Edge Buffet and Cabinet; Miniforms.com; https://www.miniforms.com/en/products/4_buffet-and-cabinet/105_edge/#f; Retrieved on Aug. 9, 2018.

Pinterest; Media Furniture Search; <https://www.pinterest.com/pin/33636328451628908/>; Retrieved on Apr. 16, 2018.

Pinterest; Furniture Search; <https://www.pinterest.com/pin/33636328453466237/>; Retrieved on Apr. 11, 2018.

Office Action for U.S. Appl. No. 29/677,738 dated Jun. 26, 2020.

Office Action for U.S. Appl. No. 29/677,723 dated Jun. 26, 2020.

“Walker Edison—W6ONOR2D Assembly Instructions.” Found online Jun. 19, 2020 at www.walkerredison.com. Page dated Apr. 23, 2018. Retrieved from URL: <https://www.walkerredison.com/uploads/5/8/2/2/58227457/ai-w6Onor2d-%C2%AE%20version%20042318-e.pdf> (Year: 2018).

“The Urban Port Mid Century Modern Acacia Wood TV Unit.” Found online Jun. 19, 2020 at www.amazon.com. Product reviewed Jun. 28, 2018. Retrieved from URL: https://www.amazon.com/dp/B07P6OPSYJ/ref=sbl_dpx_B07LG44BN6_0?th=1 (Year: 2018).

“Simpli Home Draper Solid Wood Universal Low TV Media Stand.” Found online Jun. 19, 2020 at www.amazon.com. Product reviewed Sep. 26, 2016. Retrieved from URL: https://www.amazon.com/dp/B01AACK5FM/ref=sbl_dpx_B082WLRSMS_0?th=1 (Year: 2016).

“Iwell Mid-Century Modern TV Stand.” Found online Jun. 20, 2020 at www.amazon.com. Product first available May 7, 2020. Retrieved from URL: <https://tinyurl.com/y9okn5lq> (Year: 2020).

“Tangkula Wooden TV Stand.” Found online Jun. 20, 2020 at www.amazon.com. Product first available Jan. 13, 2020. Retrieved from URL: <https://tinyurl.com/y9h9hwwc> (Year: 2020).

“Langley Street Silvia 54-inch TV Stand.” Found online Jun. 20, 2020 at www.amazon.com. Product first available Aug. 30, 2015. Retrieved from URL: https://www.amazon.com/dp/B07BMM7PZ6/ref=sbl_dpx_B01255EZVW_0 (Year: 2015).

“Walker Edison—W70JACSD Assembly Instructions.” Found online Jun. 19, 2020 at www.walkerredison.com. Page dated Jul. 9, 2018. Retrieved from URL: <https://www.walkerredison.com/uploads/5/8/2/2/58227457/ai-w70jacsd-%C2%AE%20version%20Jul.11.2018-n.pdf> (Year: 2018).

“South Shore Exhibit TV Stand.” Found online Jun. 19, 2020 at www.amazon.com. Product reviewed Jan. 12, 2017. Retrieved from URL: https://www.amazon.com/dp/B01D9MW9FE/ref=sbl_dpx_B01AACK5FM_0?th=1 (Year: 2017).

“Sauder Coral Cape Contemporary Wood 70-inch TV Stand.” Found online Jun. 19, 2020 at www.amazon.com. Product first available Jan. 28, 2020. Retrieved from URL: https://www.amazon.com/dp/B085VKFXJF/ref=sbl_dpx_B07LG44BN6_0 (Year: 2020).

“CCT Global Sourcing Inc. Pearson Solid Hardwood 60-inch TV Stand.” Found online Jun. 19, 2020 at www.amazon.com. Product first available Jan. 20, 2020. Retrieved from URL: https://www.amazon.com/dp/B0842JT1Z6/ref=sbl_dpx_B07LG44BN6_0 (Year: 2020).

Notice of Allowance for U.S. Appl. No. 29/677,722 dated Jul. 1, 2020.

“Walker Edison—W58BMHPAS Assembly Instructions.” Found online Jun. 19, 2020 at www.walkerredison.com. Page dated Apr. 23,

(56)

References Cited

OTHER PUBLICATIONS

2018. Retrieved from URL: [https://www.walkerredison.com/uploads/5/8/2/2/58227457/ai-w58bnnhpas-%C2%AE version 042318—e.pdf](https://www.walkerredison.com/uploads/5/8/2/2/58227457/ai-w58bnnhpas-%C2%AE%20version%20042318-e.pdf) (Year: 2018).

“Mid Century Modern TV Stand.” Found online Jun. 20, 2020 at www.amazon.com. Product first available Jun. 16, 2020. Retrieved from URL: <https://tinyurl.com/y7golcv7> (Year: 2020).

“Pemberly Row Modern Mid Century Entertainment TV Stand.” Found online Jun. 20, 2020 at www.amazon.com. Product first available May 25, 2018. Retrieved from URL: <https://tinyurl.com/y9affau7> (Year: 2018).

Notice of Allowance for U.S. Appl. No. 29/677,724 dated Jul. 7, 2020.

“Walker Edison—W60S014D Assembly Instructions.” Found online Jun. 19, 2020 at www.walkerredison.com. Page dated May 8, 2018. Retrieved from URL: [https://www.walkerredison.com/uploads/5/8/2/2/58227457/ai-w60soi4d-%C2%AE version 050818 n.pdf](https://www.walkerredison.com/uploads/5/8/2/2/58227457/ai-w60soi4d-%C2%AE%20version%20050818-n.pdf) (Year: 2018).

“Sauder Boulevard Cafe Credenza.” Found online Jun. 19, 2020 at www.amazon.com. Product first available Aug. 23, 2018. Retrieved from URL: <https://www.amazon.com/Sauder-420649-Boulevard-Credenza-Vintage/dp/B07G62YLV7> (Year: 2018).

“Martin Furniture Eclectic Harmon Four Door Console.” Found online Jun. 19, 2020 at www.amazon.com. Product first available Oct. 30, 2017. Retrieved from URL: https://www.amazon.com/dp/B076VVVYRPR/ref=sbl_dpx_B07G62YLV7 (Year: 2017).

“Industrial Iron Mesh Sideboard Media Cabinet.” Found online Jun. 19, 2020 at www.amazon.com. Product first available Jul. 20, 2015. Retrieved from URL: https://www.amazon.com/dp/B01255EZVW/ref=sbl_dpx_B07G62YLV7 (Year: 2015).

Safavieh Furniture; <http://web.archive.org/web/20130301232929/http://safavieh.com/furniture/categories/bookcases?pg=all>; Retrieved online on Aug. 5, 2020.

Safavieh Furniture; <http://web.archive.org/web/20140713025018/http://safavieh.com/furniture/american-home/bookcases/amh6525a>; Retrieved online on Aug. 5, 2020.

Amarah Mid Century Modern Wood TV Stand by Christopher Knight Home; <https://web.archive.org/web/20181102021725/https://www.overstock.ca/Home-Garden/Amarah-Mid-century-Modern-Wood-TV-Stand-by-Christopher-Knight-Home/18108793/product.html>; Retrieved online on Aug. 5, 2020.

Gemini Wood Contemporary TV Stand; <https://web.archive.org/web/20160423180238/https://www.target.com/p/gemini-wood-contemporary-tv-stand-walnut-white-66-baxton-studio/-/A-50256043>; Retrieved online on Aug. 5, 2020.

Article SENO walnut media unit; <http://web.archive.org/web/20170610131805/https://www.article.com/product/1635/seno-walnut-63-media-unit>; Retrieved online on Aug. 5, 2020.

Instagram post—Article Seno walnut media unit; <https://www.instagram.com/p/BhcCAZIH8-q/>; Retrieved on Aug. 5, 2020.

Convenience Concepts Designs2Go Oslo TV Stand; <https://www.amazon.ca/Convenience-Concepts-Designs2Go-Stand-White/dp/B011RACHQ6/?th=1>; Retrieved online on Aug. 5, 2020.

Houzz_Rowan_Mid-CenturyModernTwo-Toned TV Stand; <https://www.houzz.com/products/rowan-mid-century-modern-two-toned-tv-stand-white-oak-prvw-vr~74489612>; Retrieved online on Aug. 21, 2020.

Focus on Furniture, Lowline TV Units; <https://web.archive.org/web/20170218071314/https://www.focusonfurniture.com.au/living-room/lowline-tv-units/>; Retrieved on Aug. 21, 2020.

Office Action for U.S. Appl. No. 29/654,930, dated Aug. 21, 2020. Calie TV Stand for TVs up to 48 inches with Electric Fireplace Included; Wayfair.com; <https://www.wayfair.com/furniture/pdp/real-flame-calie-tv-stand-for-tvs-up-to-48-inches-with-electric-fireplace-included-jfp1647.html>; Retrieved on Jan. 10, 2018.

Restriction Requirement for U.S. Appl. No. 29/698,919, dated Aug. 27, 2020.

Office Action for U.S. Appl. No. 29/677,755, dated Aug. 27, 2020. Foundry Arsenault End Table, www.wayfair.com [online]. Published on or before Aug. 15, 2020, [retrieved on Aug. 15, 2020], Retrieved from the Internet: <URL:<https://www.wayfair.ca/furniture/pdp/foundry-select-arsenault-4-legs-end-table-c003160002.html?piid=1664365403>> (Year: 2020).

Office Action for U.S. Appl. No. 29/698,928, dated Aug. 28, 2020. Notice of Allowance for U.S. Appl. No. 29/698,940, dated Aug. 28, 2020.

Rustic Farmhouse Corner TV Stand With Barn Doors, Little Rustic Shop, site visited Aug. 24, 2020, available online at <https://littlerusticshop.com/collections/frontpage/products/rustic-farmhouse-corner-tv-stand-with-barn-doors> (Year: 2020).

Office Action for U.S. Appl. No. 29/698,947, dated Aug. 31, 2020. White Eliza TV Stand With Fireplace Insert, Owens Home Furnishings, site visited Aug. 25, 2020, available online at <https://www.owensfurniture.com/eliza-white-barn-door-tv-stand-70/> (Year: 2020).

U.S. Appl. No. 26/698,924, filed Jul. 22, 2019, Davis.

Notice of Allowance for U.S. Appl. No. 29/699,071, dated Sep. 4, 2020.

Notice of Allowance for U.S. Appl. No. 29/699,066, dated Sep. 11, 2020.

Notice of Allowance for U.S. Appl. No. 29/677,723, dated Sep. 15, 2020.

Office Action for U.S. Appl. No. 29/698,924, dated Sep. 16, 2020.

Notice of Allowance for U.S. Appl. No. 29/699,073, dated Sep. 16, 2020.

Notice of Allowance for U.S. Appl. No. 29/677,723, dated Sep. 29, 2020.

Notice of Allowance for U.S. Appl. No. 29/677,738, dated Sep. 29, 2020.

Notice of Allowance for U.S. Appl. No. 29/7207,32; dated Sep. 29, 2020.

Notice of Allowance for U.S. Appl. No. 29/721,435, dated Sep. 29, 2020.

Notice of Allowance for U.S. Appl. No. 29/677,724, dated Sep. 30, 2020.

Notice of Allowance for U.S. Appl. No. 29/699,071, dated Sep. 30, 2020.

Notice of Allowance for U.S. Appl. No. 29/720,923, dated Sep. 30, 2020.

Office Action for U.S. Appl. No. 29/699,078, dated Oct. 6, 2020.

“Vasagle Glatal Glass Coffee Table.” Found online Sep. 30, 2020 at www.amazon.com. Product first available May 1, 2020. Retrieved from URL: <https://tinyurl.com/yxvuv2rf> (Year: 2020).

“Henn and Hart Coffe Table.” Found online Sep. 30, 2020 at www.amazon.com. Product first available Jan. 20, 2019. Retrieved from URL: https://www.amazon.com/-/es/Henn-Hart-talla-°0C3%BAnica-color/dp/B07N8RRPT5/ref=psd_3733631_t5_B07CYML1Lf (Year: 2019).

* cited by examiner

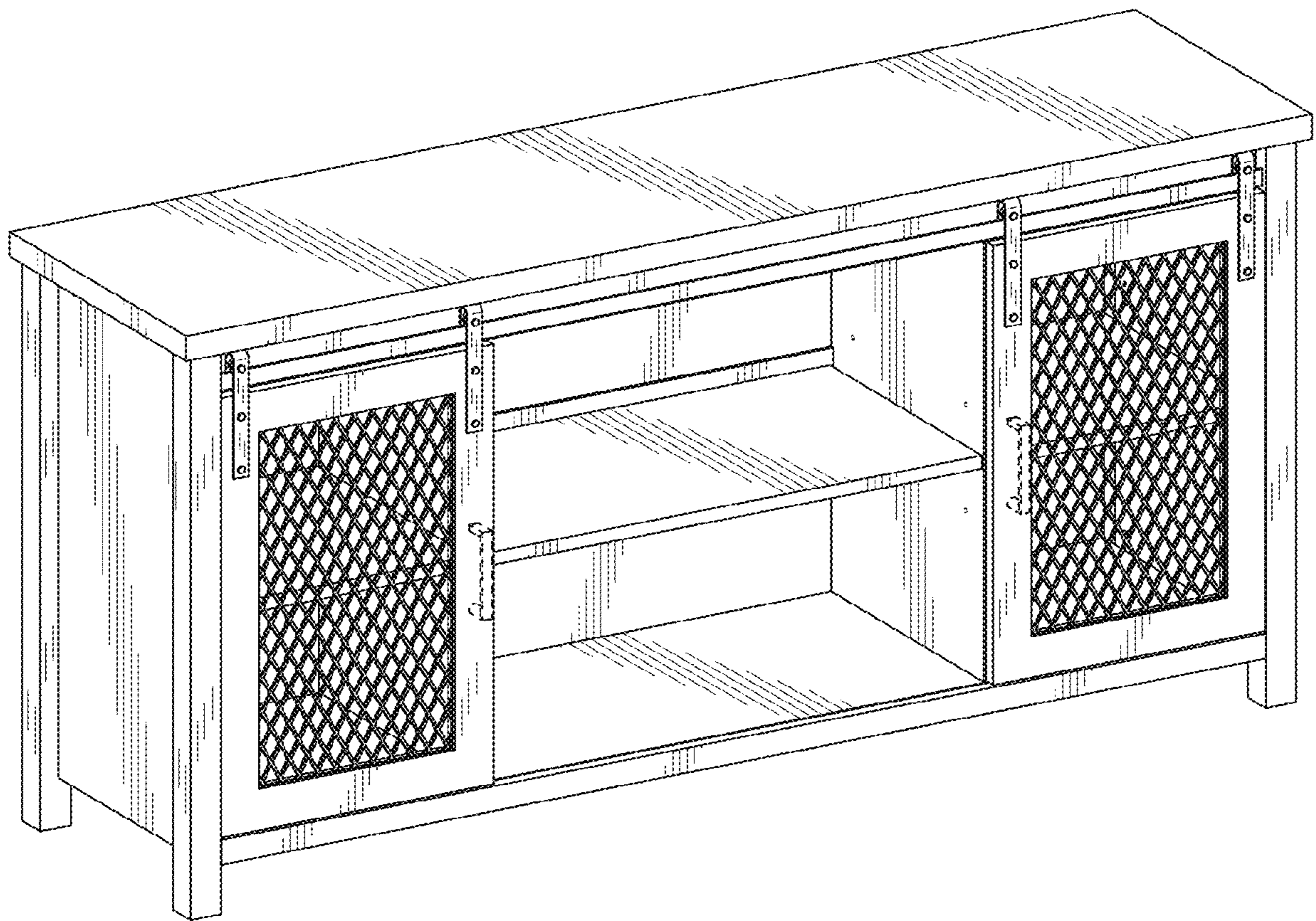


FIG. 1

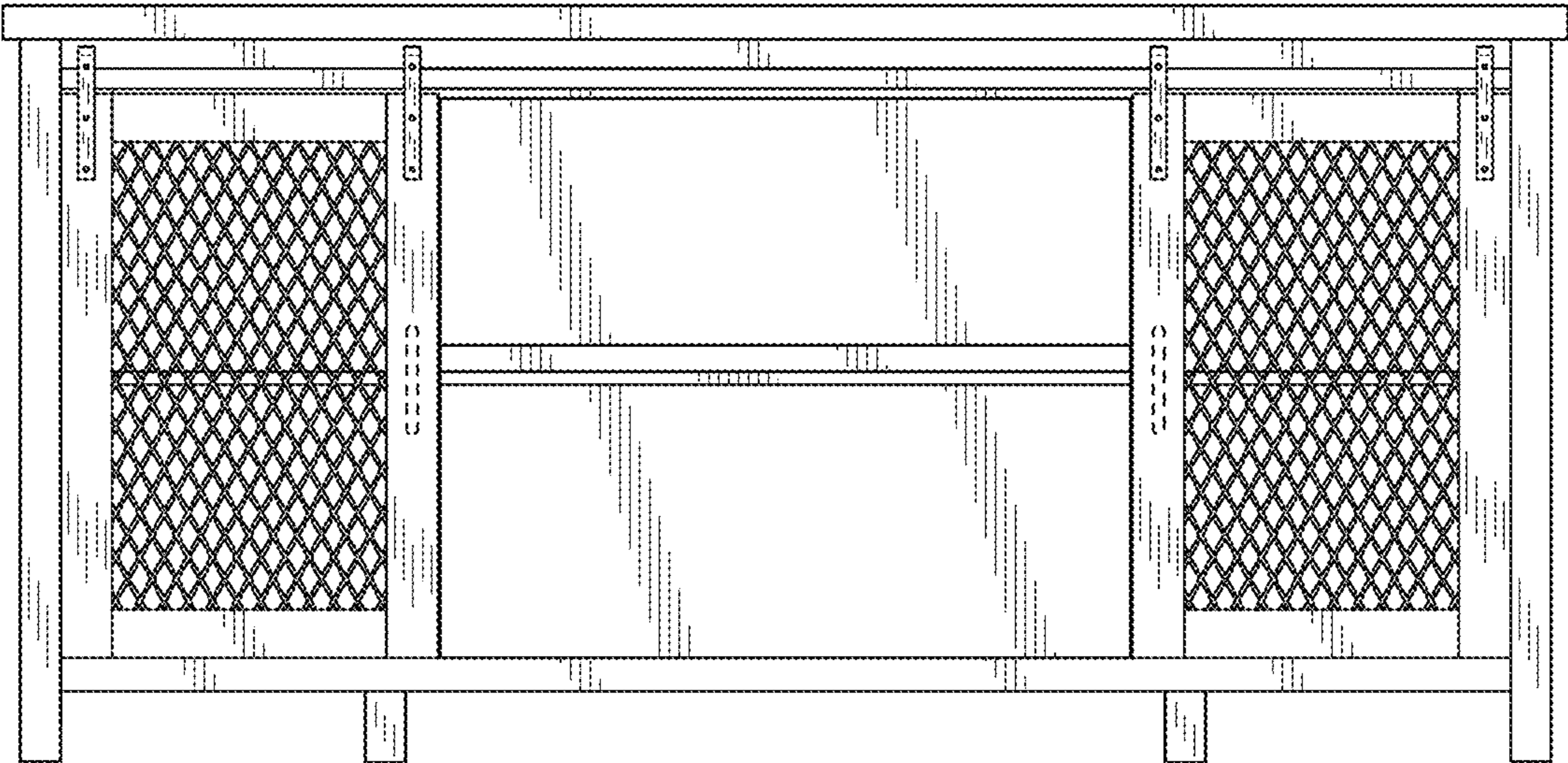


FIG. 2

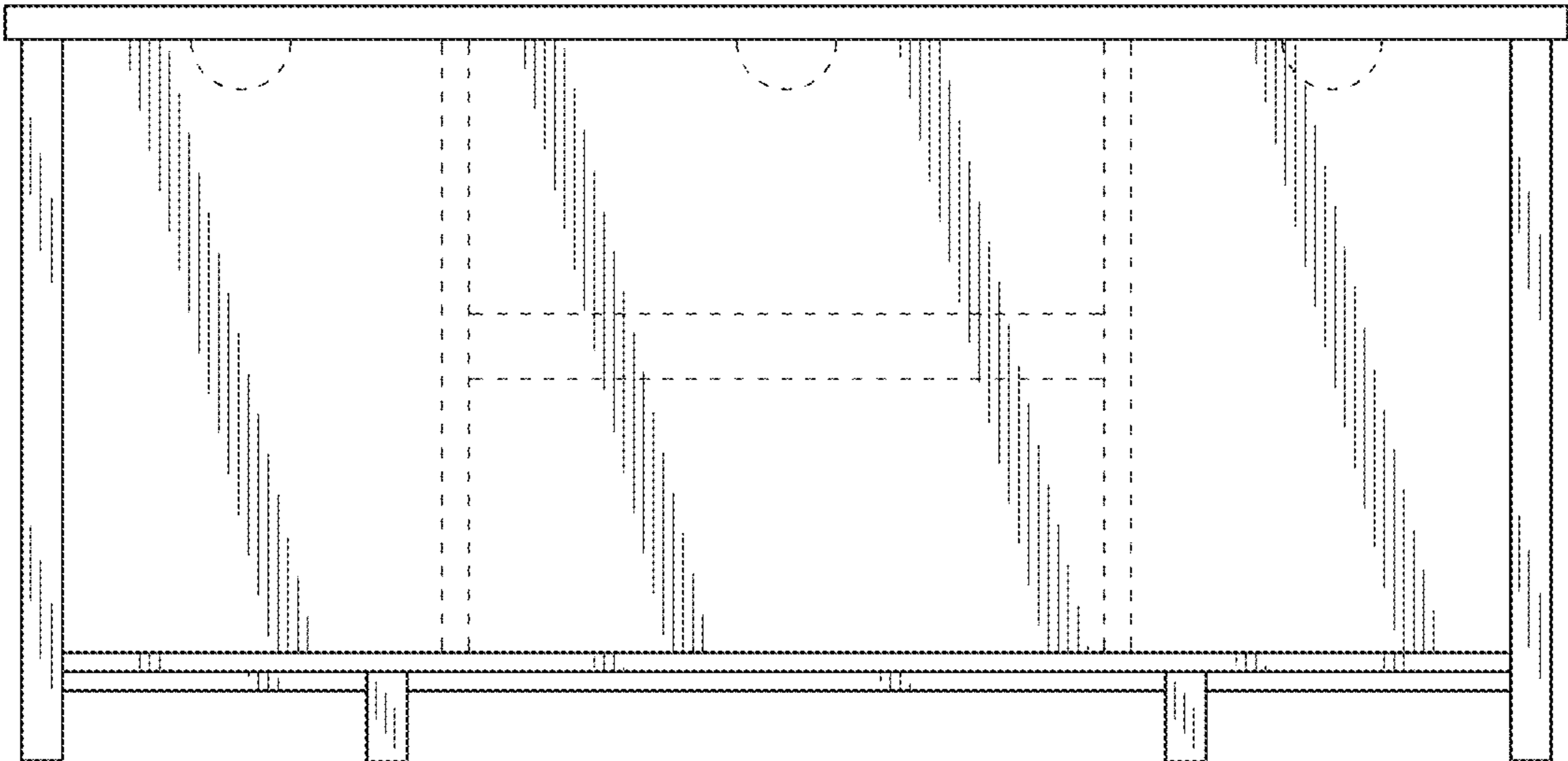


FIG. 3

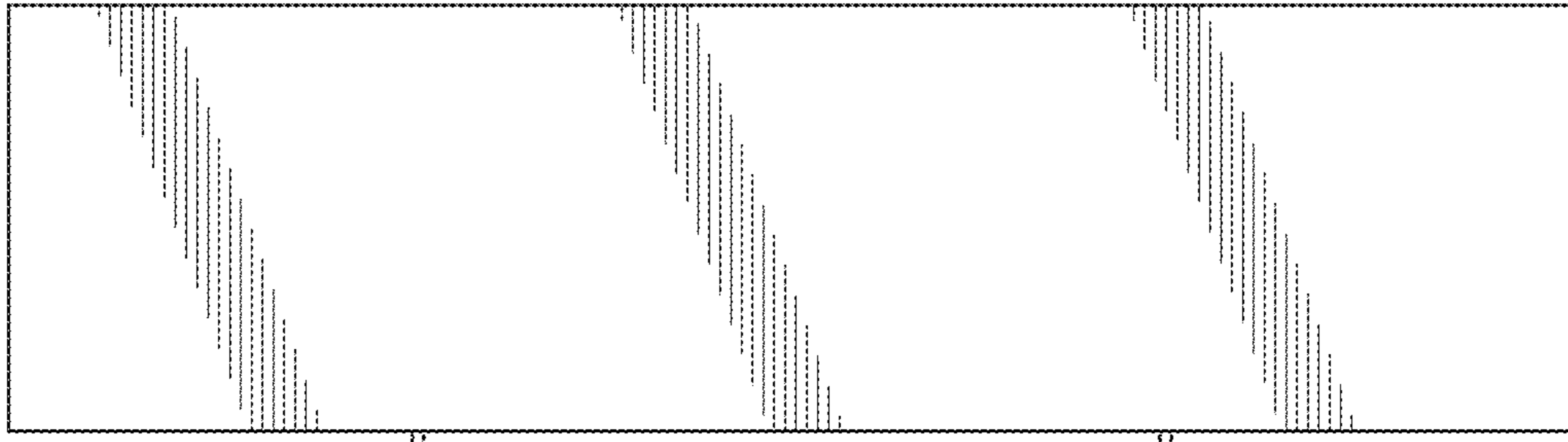


FIG. 4

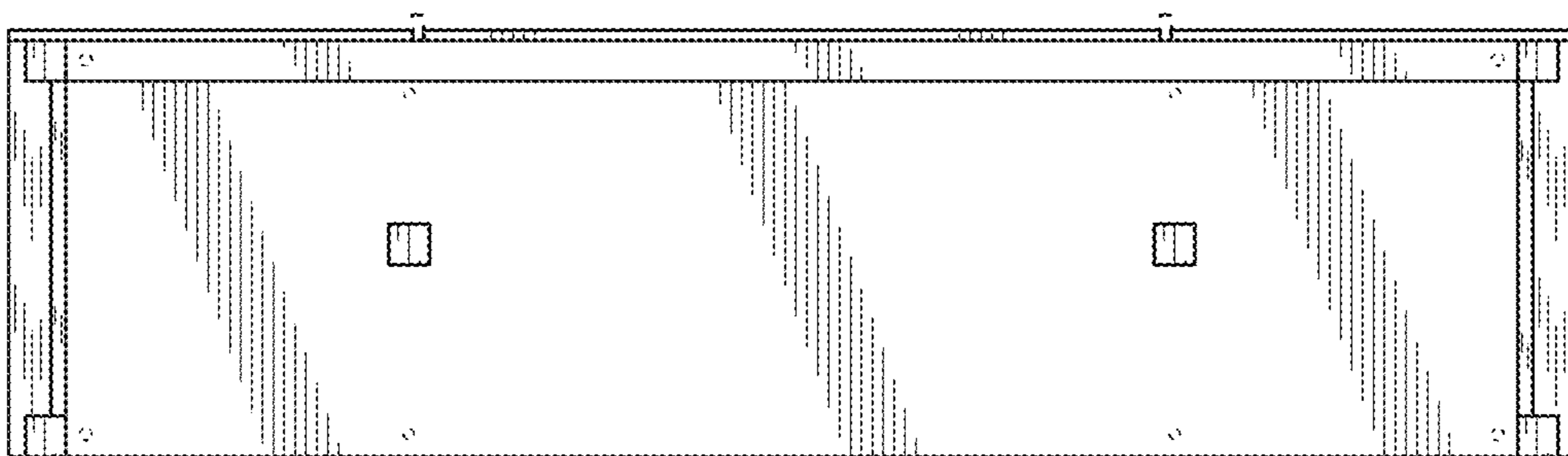


FIG. 5

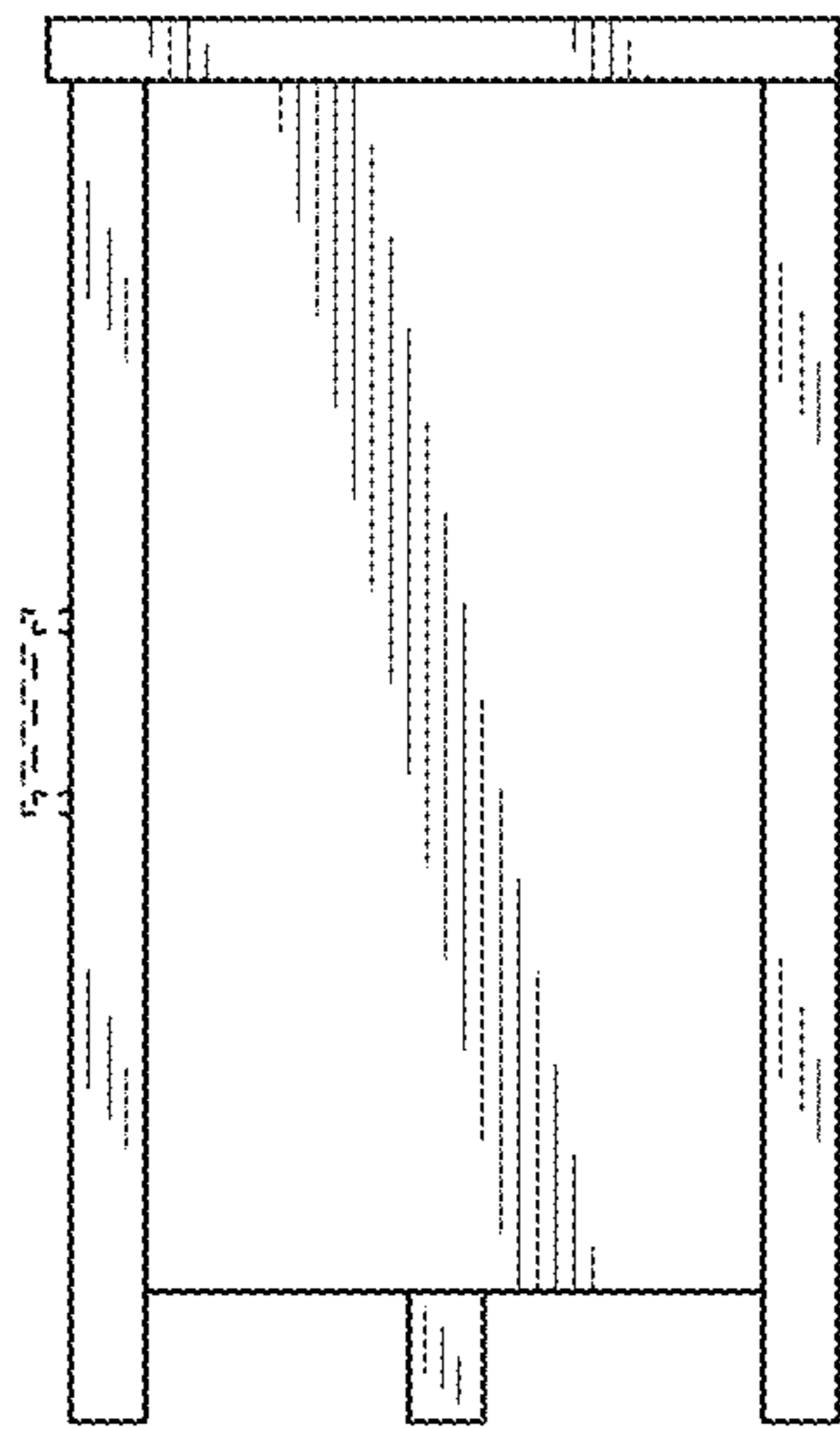


FIG. 6

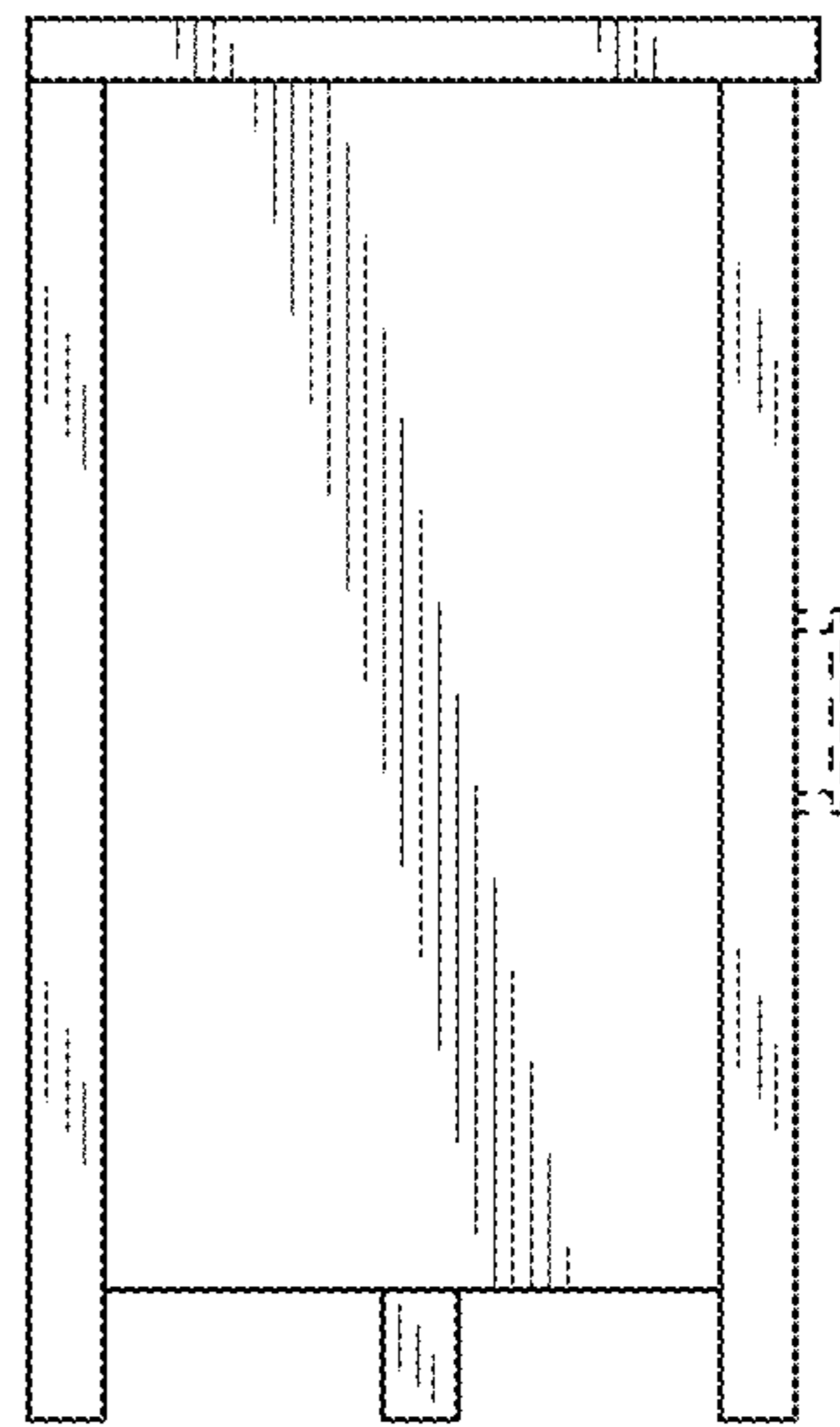


FIG. 7