



US00D909796S

(12) **United States Design Patent** (10) **Patent No.:** **US D909,796 S**
Cooper (45) **Date of Patent:** **** Feb. 9, 2021**

(54) **CAR SEAT COVER**
(71) Applicant: **Henry Cooper**, Chandler, AZ (US)
(72) Inventor: **Henry Cooper**, Chandler, AZ (US)
(**) Term: **15 Years**
(21) Appl. No.: **29/707,146**
(22) Filed: **Sep. 26, 2019**
(51) **LOC (13) Cl.** **06-13**
(52) **U.S. Cl.**
USPC **D6/611**
(58) **Field of Classification Search**
USPC D2/861; D6/356, 596, 601, 608, 610,
D6/611, 613, 616; D12/401, 416;
D24/206
CPC A47C 27/00; A47C 27/001; A47C 27/002;
A47C 31/10; A47C 31/11; A47C 31/113;
A47C 31/116; A47C 4/28; A47C 7/021;
A47C 7/0213; A47C 7/024; A47C 7/22;
A47C 7/386; A47C 7/42; A47C 7/68;
B60N 2/60; B60N 2/6009; B60N 2/6018;
B60N 2/58
See application file for complete search history.

(56) **References Cited**
U.S. PATENT DOCUMENTS
5,803,544 A * 9/1998 Block B60N 2/24
297/284.3
5,833,309 A * 11/1998 Schmitz A47C 7/74
297/180.11
D440,107 S * 4/2001 Hsu D6/611
D513,146 S * 12/2005 Griffin D6/611
7,172,246 B1 * 2/2007 Itakura A47C 31/116
297/219.1
D582,047 S * 12/2008 Yim D24/206
D728,973 S * 5/2015 Daley D6/611
D742,533 S * 11/2015 Kang D24/207
D768,412 S * 10/2016 Ngo D6/611

D777,473 S * 1/2017 Rodack D6/611
9,549,617 B1 * 1/2017 Deluca A47C 7/746
10,295,242 B2 * 5/2019 Legare B65D 81/3897
(Continued)

OTHER PUBLICATIONS

Zone Tech 2x Car Seat Cover Cushion Cooling Fan Cooler Warm Heated Massaging, announced 2016 [online], [site visited May 18, 2020]. Available from internet, URL: <https://www.sears.com/zone-tech-zone-tech-2x-car-seat-cover/p-SPM10391231408> (Year: 2016).*
(Continued)

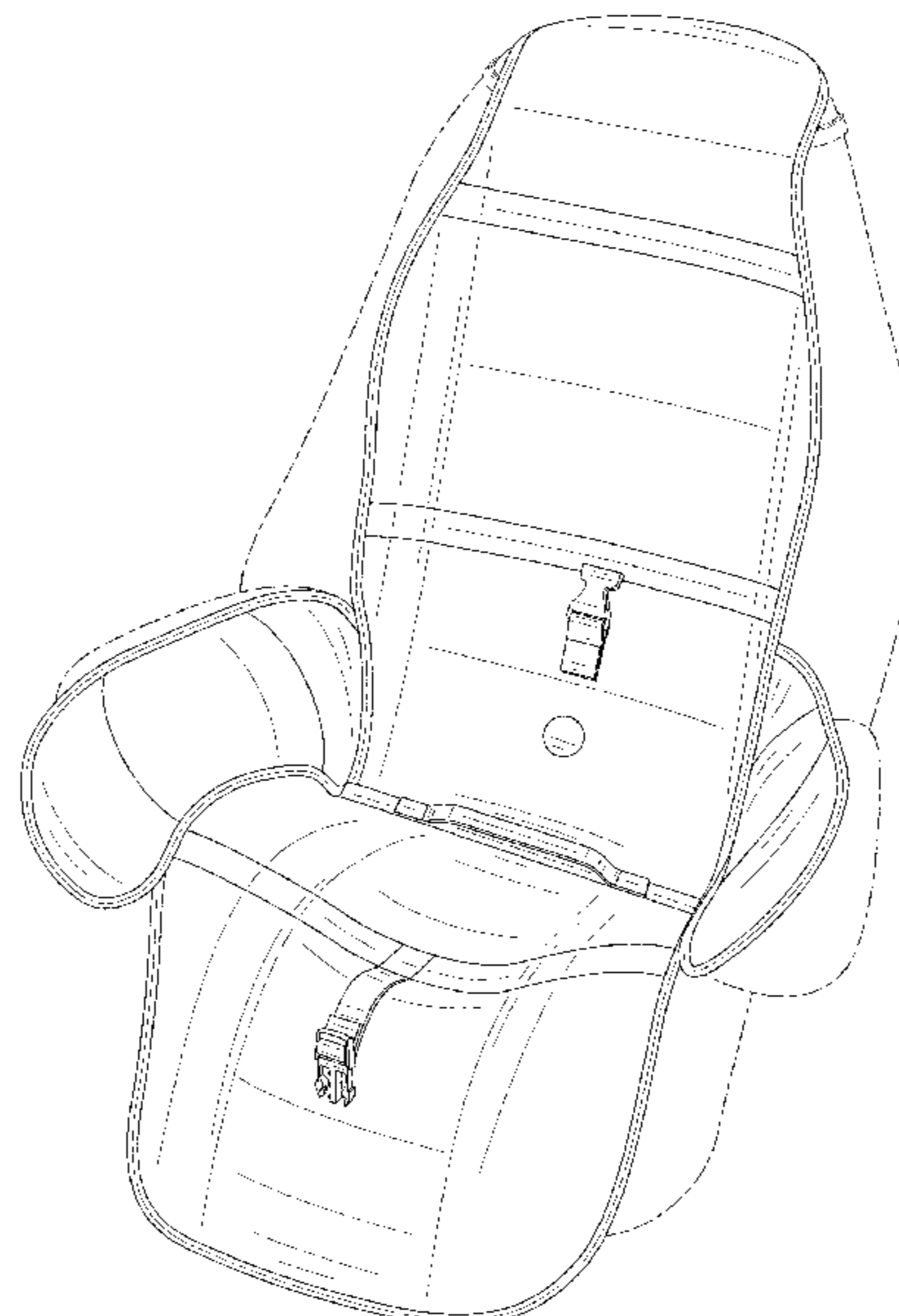
Primary Examiner — Cynthia Ramirez
Assistant Examiner — Xavier Marti-Santos
(74) *Attorney, Agent, or Firm* — Klein, O'Neill & Singh, LLP

(57) **CLAIM**
The ornamental design for a car seat cover, as shown and described.

DESCRIPTION

FIG. 1 is a perspective view of a car seat cover showing my new design in condition of use;
FIG. 2 is a perspective view of a car seat cover in a flat configuration;
FIG. 3 a front view thereof;
FIG. 4 is a rear view thereof;
FIG. 5 is a left side view thereof;
FIG. 6 is as right side view thereof;
FIG. 7 is a top view thereof; and,
FIG. 8 is a bottom view thereof.
The broken lines shown in FIG. 1 are to show environment and form no part of the claimed design.
The broken lines shown in FIG. 4 show stitching which is not part of the claimed design. Additional broken lines show portion of the car seat cover, which form no part of the claimed design.

1 Claim, 6 Drawing Sheets



(56)

References Cited

U.S. PATENT DOCUMENTS

2007/0262624 A1* 11/2007 Snedeker B60N 2/28
297/219.1

OTHER PUBLICATIONS

“The Original Freezable Chiller Car Seat Cover,” 2004.
Amazon.com, “Doingart 1 Pack Cooling Car Seat Cushion—12V
Automotive Breathable Seat Cover with Air Conditioning System
for Summer Driving, 3 Cooling Levels,” Doingart, 8 pages [online],
[retrieved on Jul. 24, 2019]. Retrieved from the Internet: <URL:https://
www.amazon.com/Doingart-Pack-Cooling-Seat-Cushion/dp/
B07Q2MK3Q1/>.
Carats, “Cool Carats,” 7 pages [online], [retrieved on Jul. 24, 2019].
Retrieved from the Internet: <URL:https://www.coolcarats.com/>.

* cited by examiner

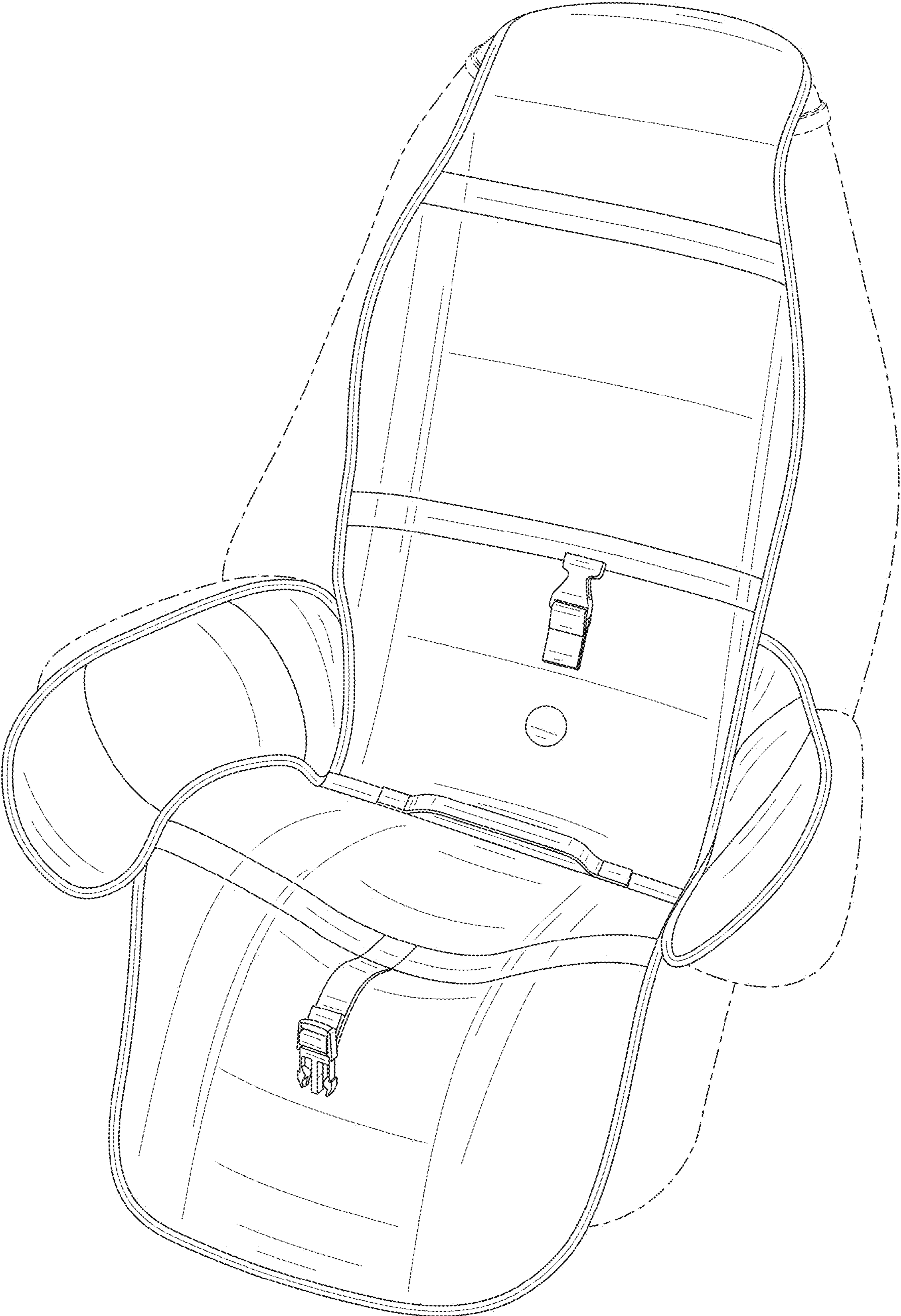


FIG. 1

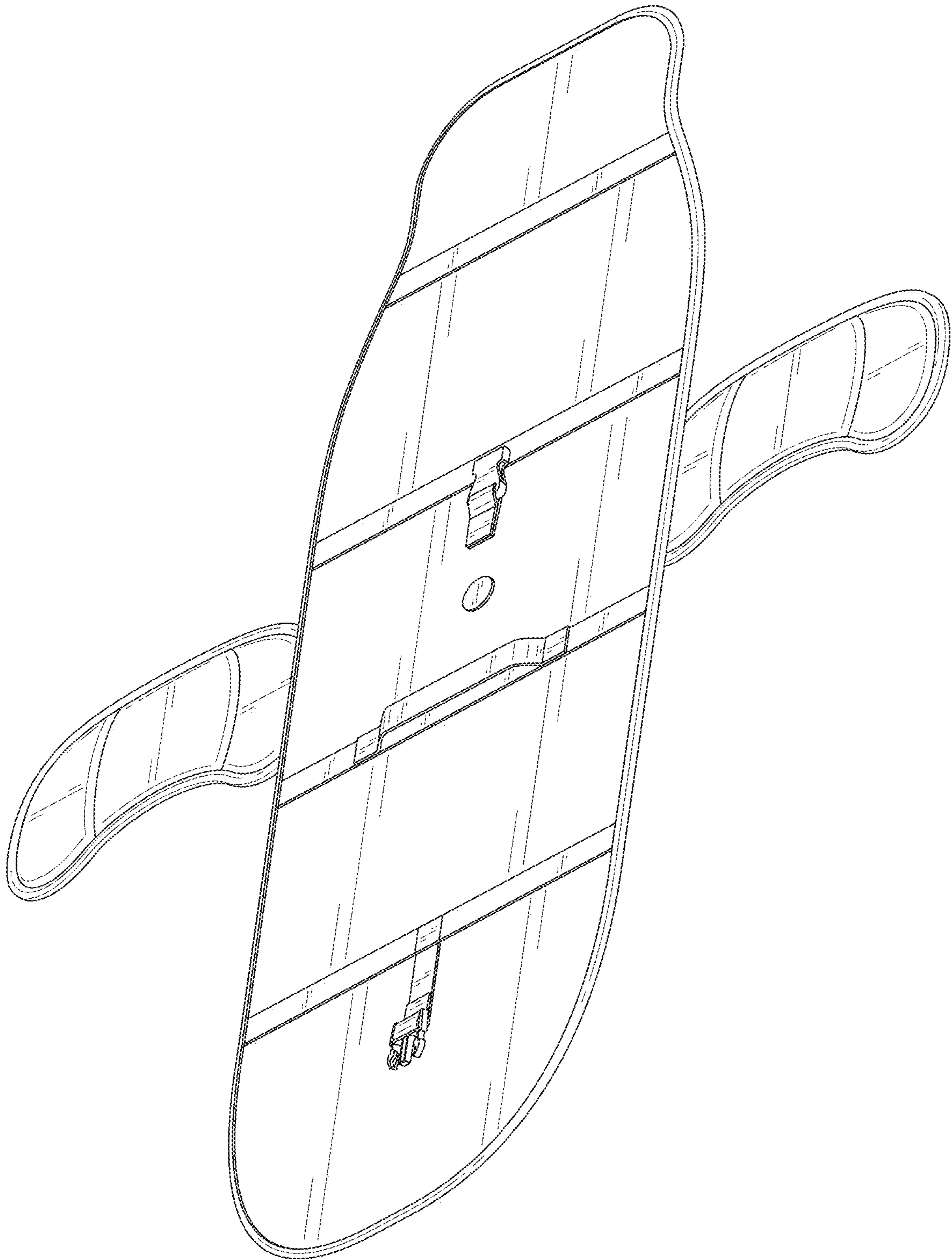


FIG. 2

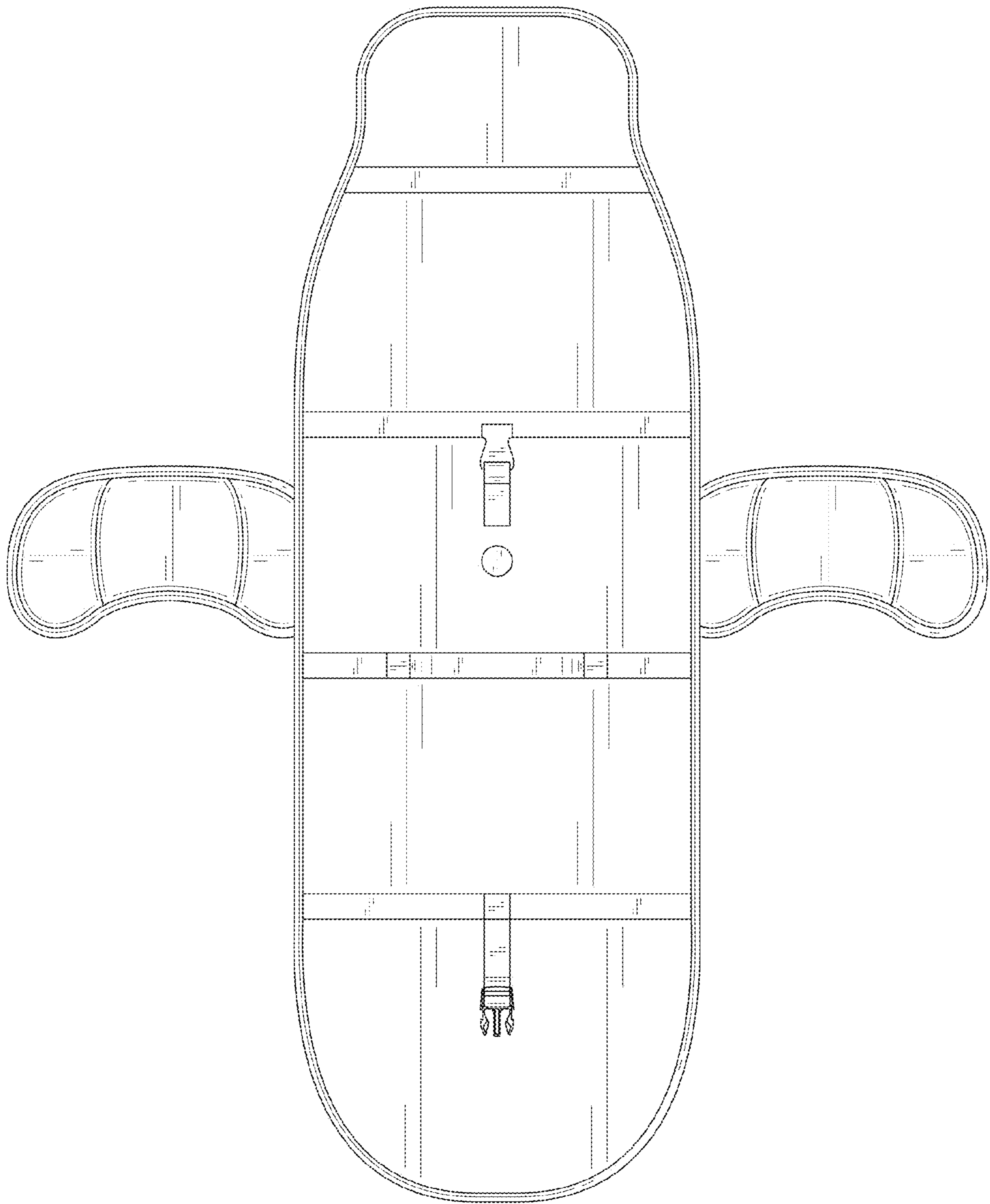


FIG. 3

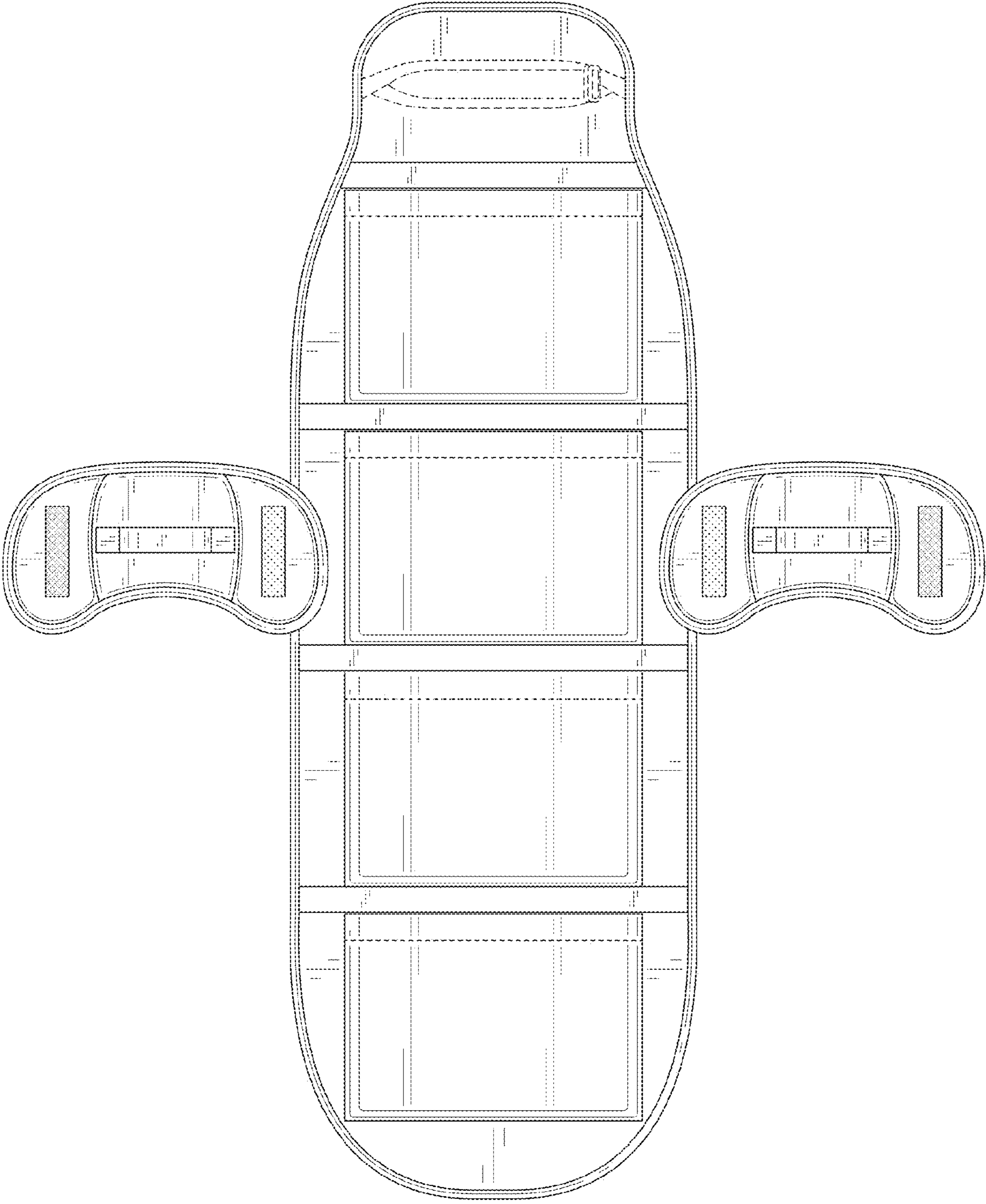


FIG. 4

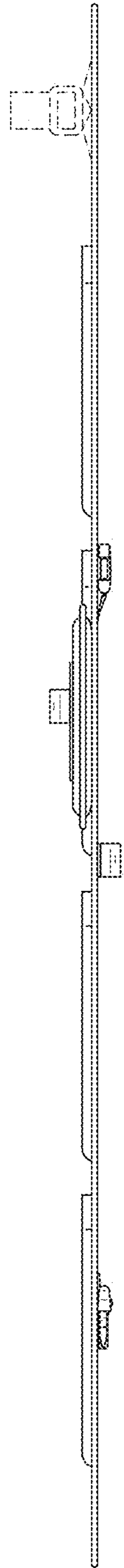


FIG. 5

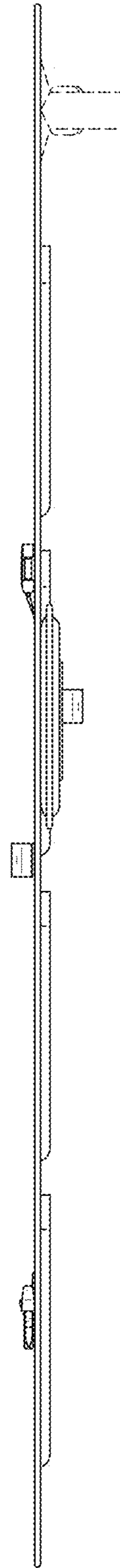


FIG. 6

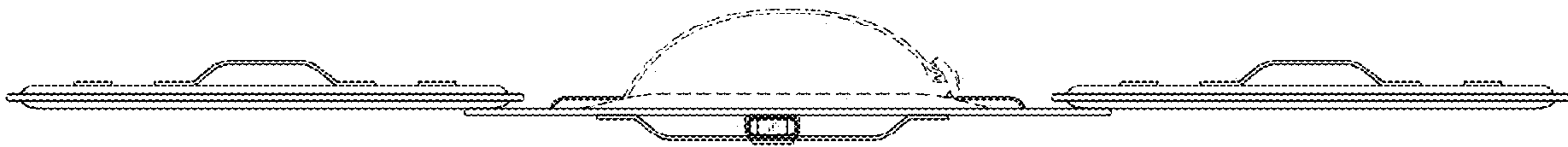


FIG. 7

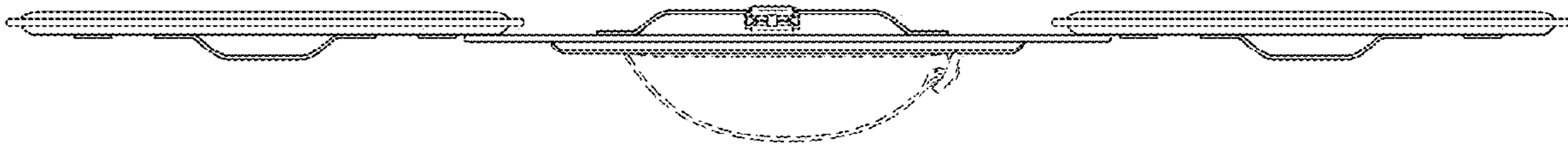


FIG. 8