



US00D909795S

(12) **United States Design Patent** (10) **Patent No.:** **US D909,795 S**  
**Qu** (45) **Date of Patent:** **\*\* Feb. 9, 2021**

(54) **SEAT COVER**

FOREIGN PATENT DOCUMENTS

(71) Applicant: **Xiaohu Qu**, Shandong (CN)

DE 102007057809 B4 \* 6/2009

(72) Inventor: **Xiaohu Qu**, Shandong (CN)

*Primary Examiner* — Cynthia Ramirez

(73) Assignee: **Xiaohu Qu**, Shandong (CN)

*Assistant Examiner* — Xavier Marti-Santos

(\*\*) Term: **15 Years**

(74) *Attorney, Agent, or Firm* — Maschoff Brennan

(21) Appl. No.: **29/673,180**

(57) **CLAIM**

(22) Filed: **Dec. 12, 2018**

The ornamental design for a seat cover, as shown and described.

(30) **Foreign Application Priority Data**

Nov. 19, 2018 (CN) ..... 2018 3 0657129

**DESCRIPTION**

(51) **LOC (13) Cl.** ..... **06-13**

(52) **U.S. Cl.**  
USPC ..... **D6/611**

(58) **Field of Classification Search**

USPC ..... D6/356, 596, 601, 608, 610, 611, 613,  
D6/616; D12/203, 401, 416

CPC ..... A47C 27/00; A47C 27/001; A47C 27/002;  
A47C 31/10; A47C 31/11; A47C 31/113;  
A47C 31/116; A47C 4/28; A47C 7/021;  
A47C 7/0213; A47C 7/024; A47C 7/22;  
A47C 7/386; A47C 7/42; A47C 7/68;  
B60N 2/58; B60N 2/60; B60N 2/6009;  
B60N 2/6018

See application file for complete search history.

FIG. 1 is a front view of a seat cover, showing my new design;

FIG. 2 is a rear view thereof;

FIG. 3 is a left view thereof;

FIG. 4 is a right view thereof;

FIG. 5 is a top view thereof;

FIG. 6 is a bottom view thereof;

FIG. 7 is a first perspective view thereof;

FIG. 8 is a second perspective view thereof;

FIG. 9 is an enlarged and rotated view of FIG. 5;

FIG. 10 is an enlarged and rotated view of FIG. 6;

FIG. 11 is an enlarged view of a portion in FIG. 7;

FIG. 12 is an enlarged view of a portion in FIG. 8;

FIG. 13 is a perspective view showing the seat cover in condition of use; and,

FIG. 14 is another perspective view showing the seat cover in condition of use, in which a strap is shown in an alternate position, and a strap adjuster is shown in an adjusted position.

The broken lines present in the figures are included for the purpose of illustrating environmental structure, which form no part of the claimed design.

Additional broken lines in FIGS. 7 and 8 are to demarcate areas shown enlarged in other figures and are not part of the claimed design.

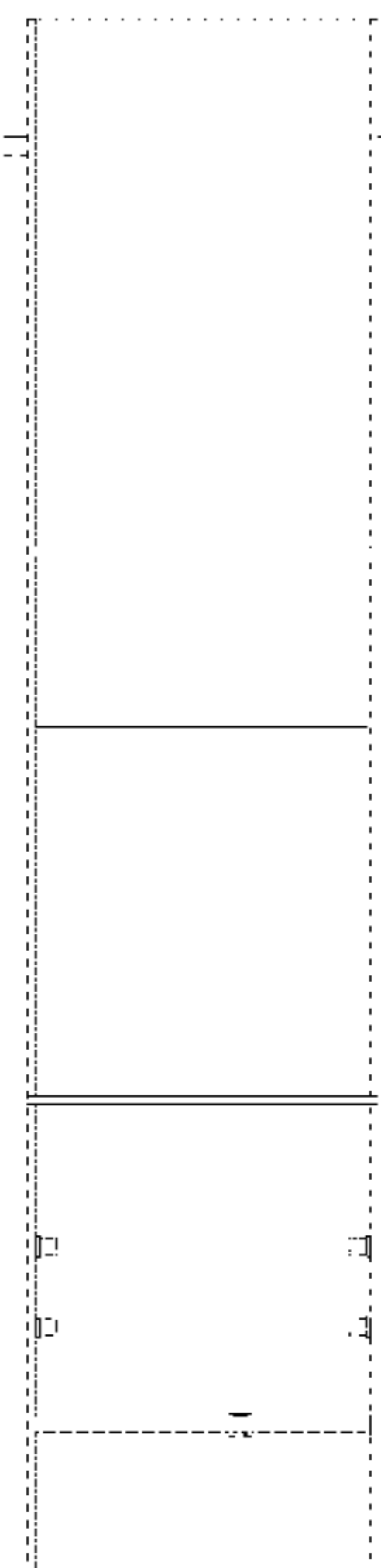
(56) **References Cited**

U.S. PATENT DOCUMENTS

4,844,540 A \* 7/1989 Pegram ..... A47C 1/14  
297/229  
D387,939 S \* 12/1997 Tedesco ..... D6/610  
D586,168 S \* 2/2009 Smith, Jr. .... D6/611  
7,841,658 B1 \* 11/2010 Marble ..... B60N 2/60  
297/224  
D685,213 S \* 7/2013 Margalit ..... D6/611  
D768,412 S \* 10/2016 Ngo ..... D6/611  
9,845,033 B1 \* 12/2017 Umlauf ..... B60N 2/6027

(Continued)

**1 Claim, 14 Drawing Sheets**



(56)

**References Cited**

U.S. PATENT DOCUMENTS

D807,668 S \* 1/2018 Moore ..... D6/611  
D851,963 S \* 6/2019 Fischer-Livneh ..... D6/611  
10,406,951 B2 \* 9/2019 Leon Guerrero ..... B60N 2/36  
D882,299 S \* 4/2020 Benezri ..... D6/611  
2009/0091165 A1 \* 4/2009 Thompson ..... B60N 2/6009  
297/228.12  
2018/0027987 A1 \* 2/2018 Calhoun ..... A47C 31/007

\* cited by examiner

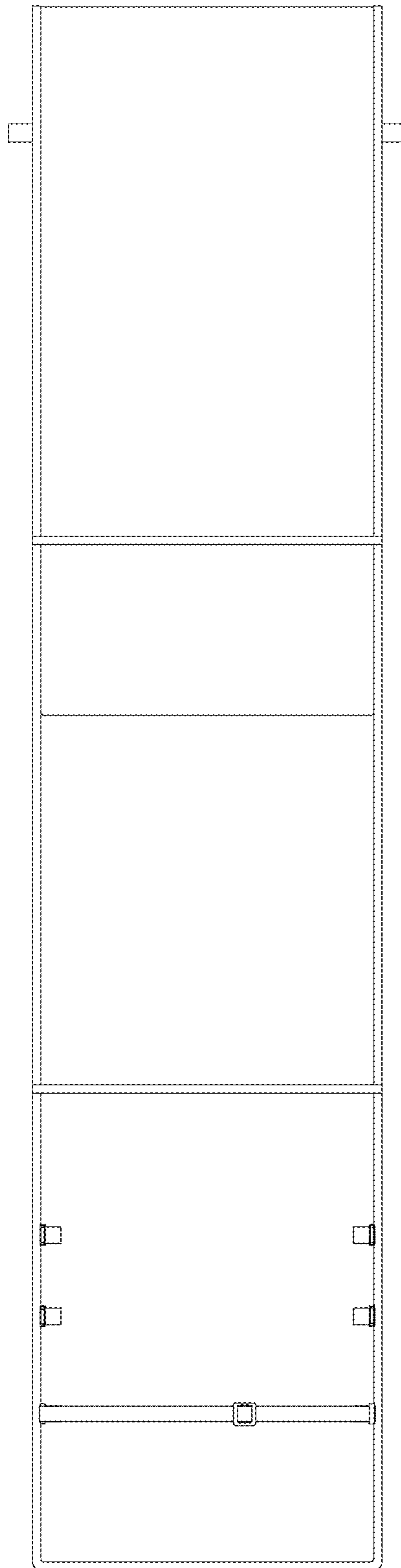


Fig. 1

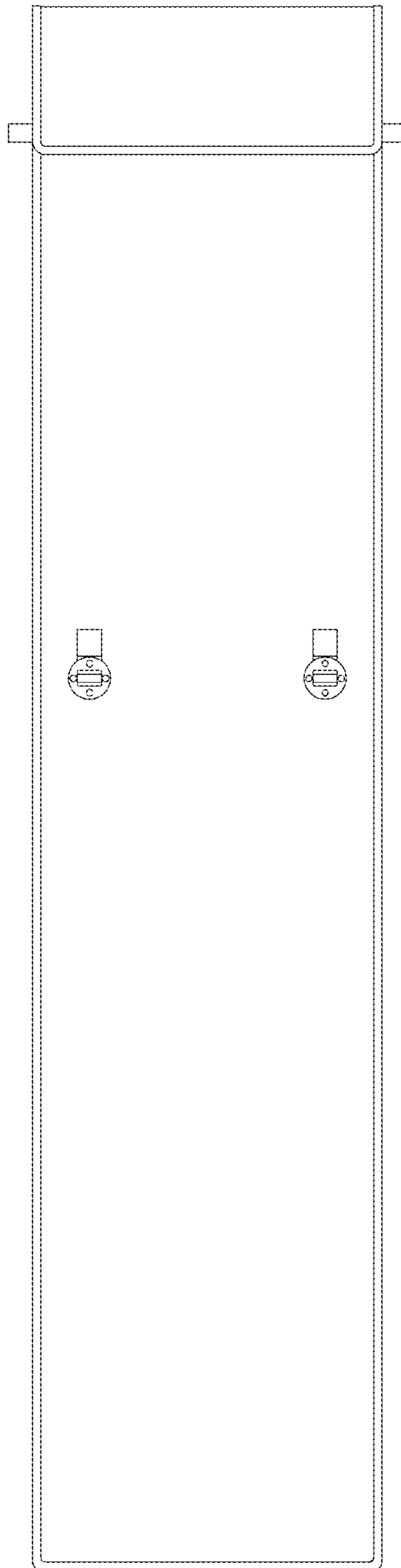


Fig. 2

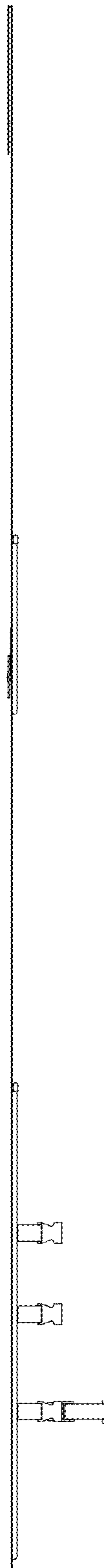


Fig. 3



Fig. 4

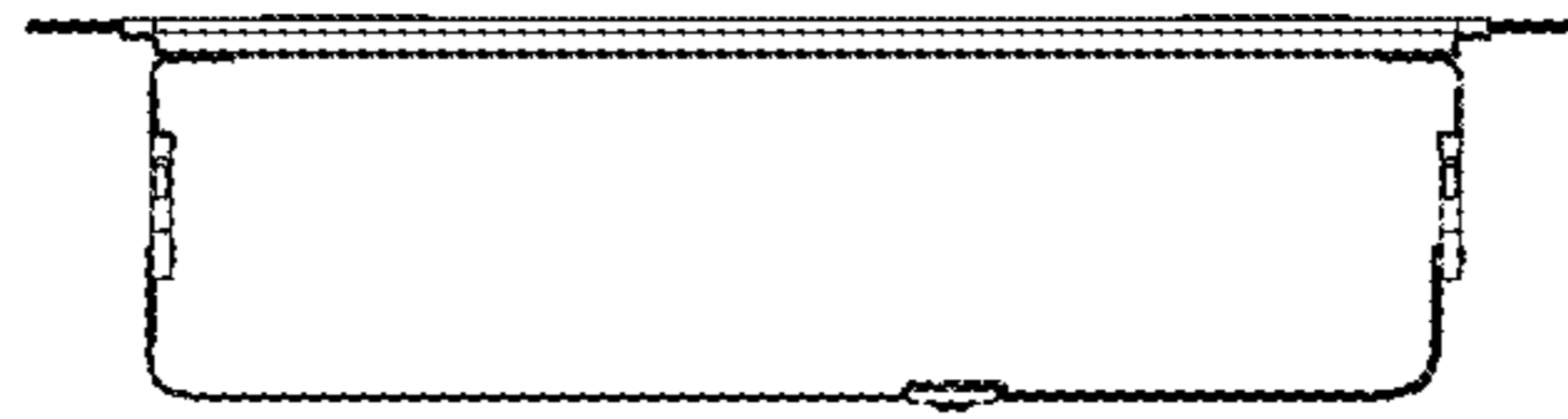


Fig. 5

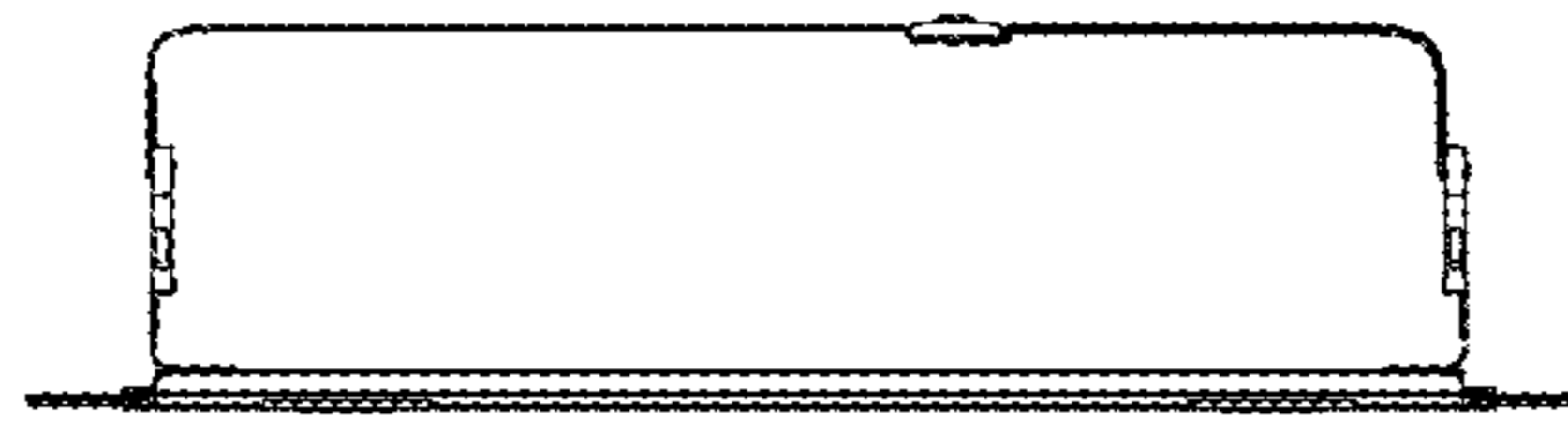


Fig. 6



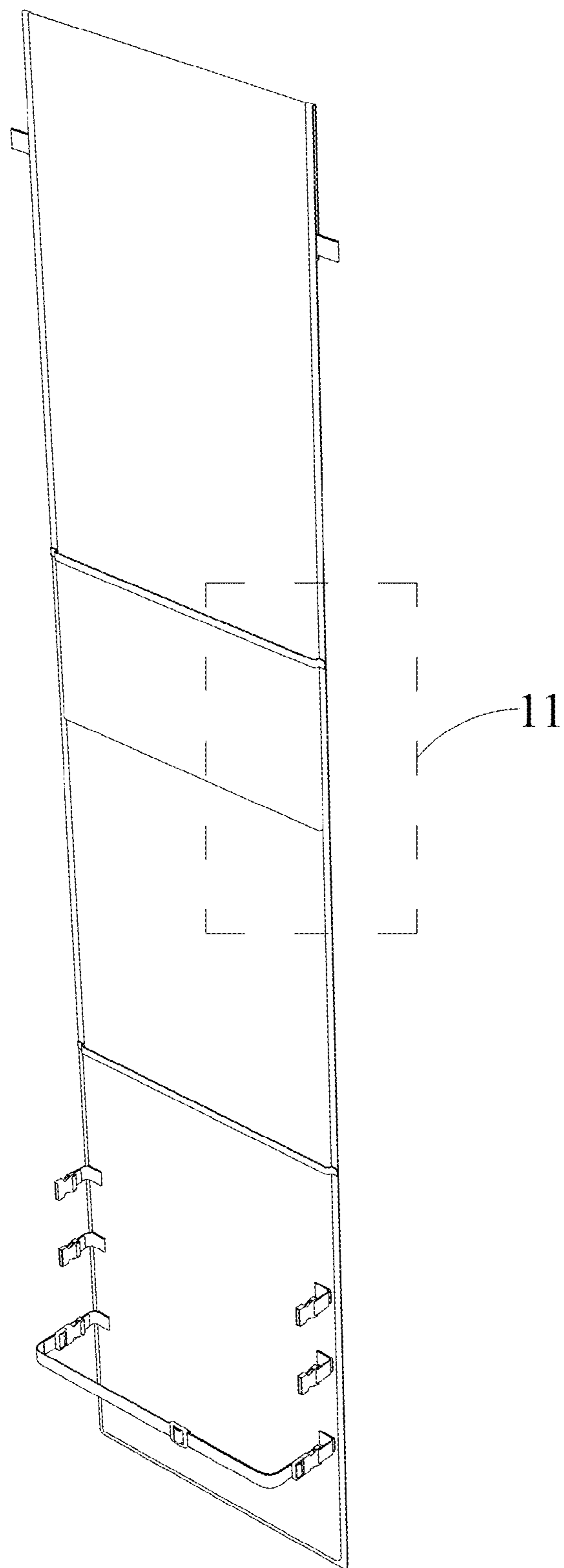


Fig. 7

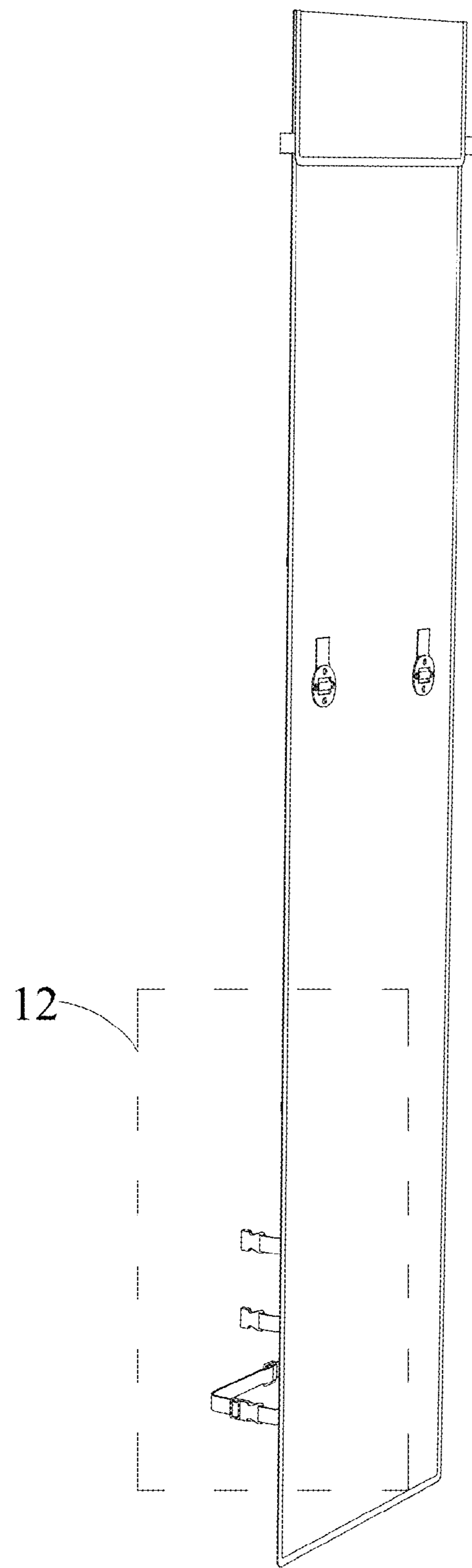


Fig. 8

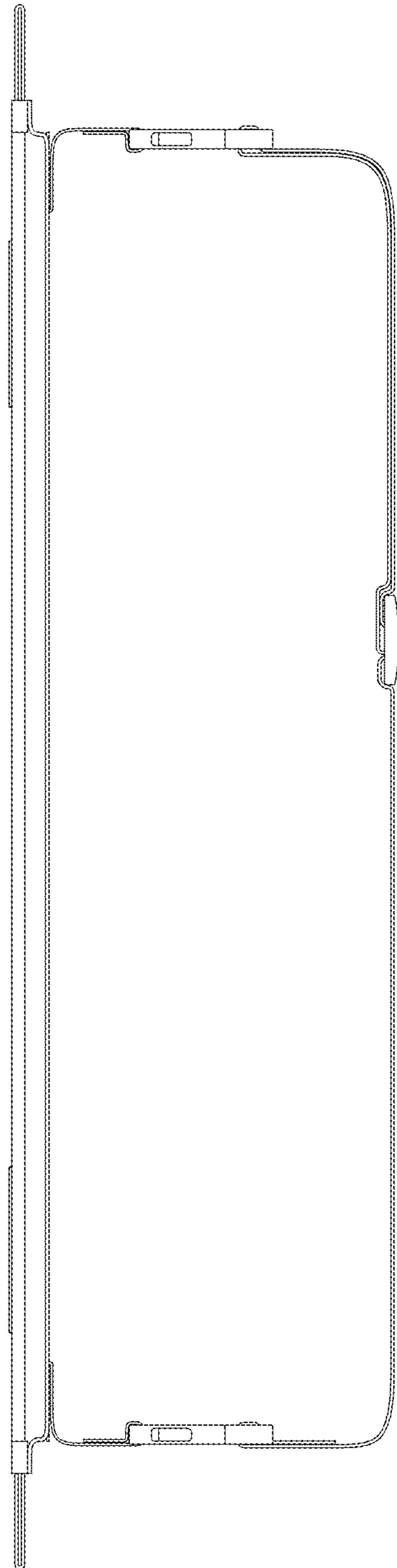


Fig. 9

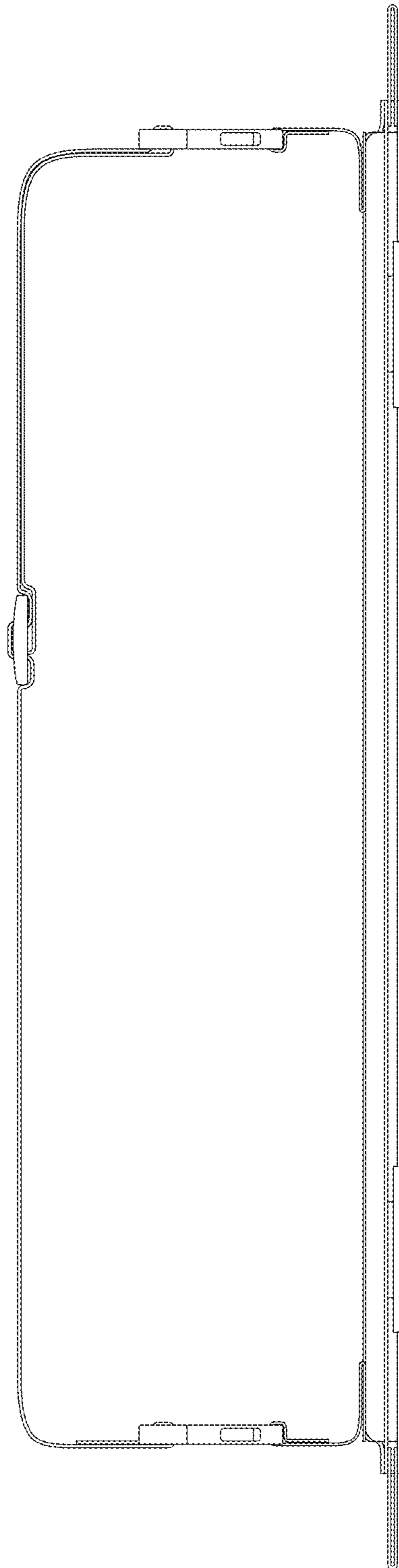


Fig. 10

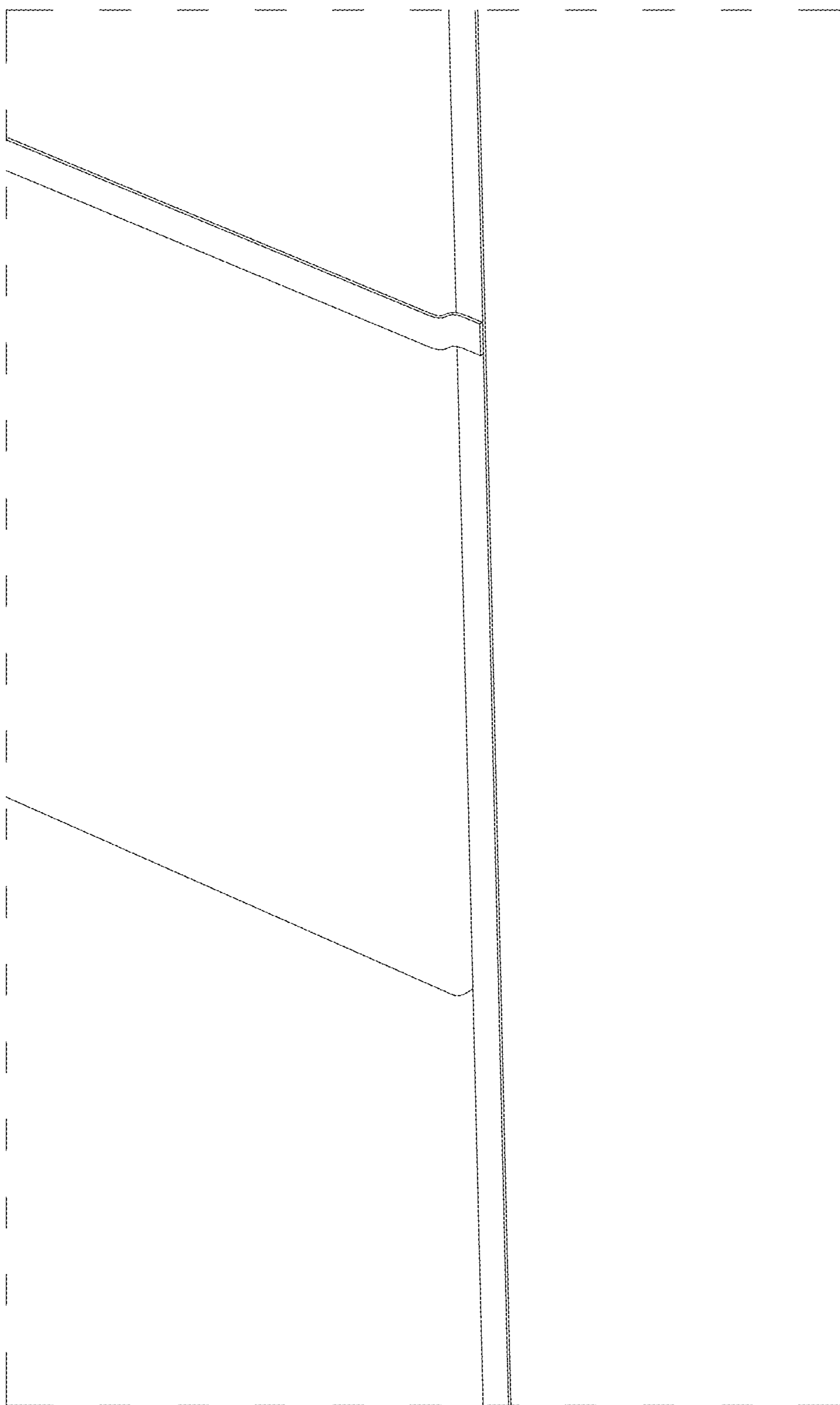


Fig. 11

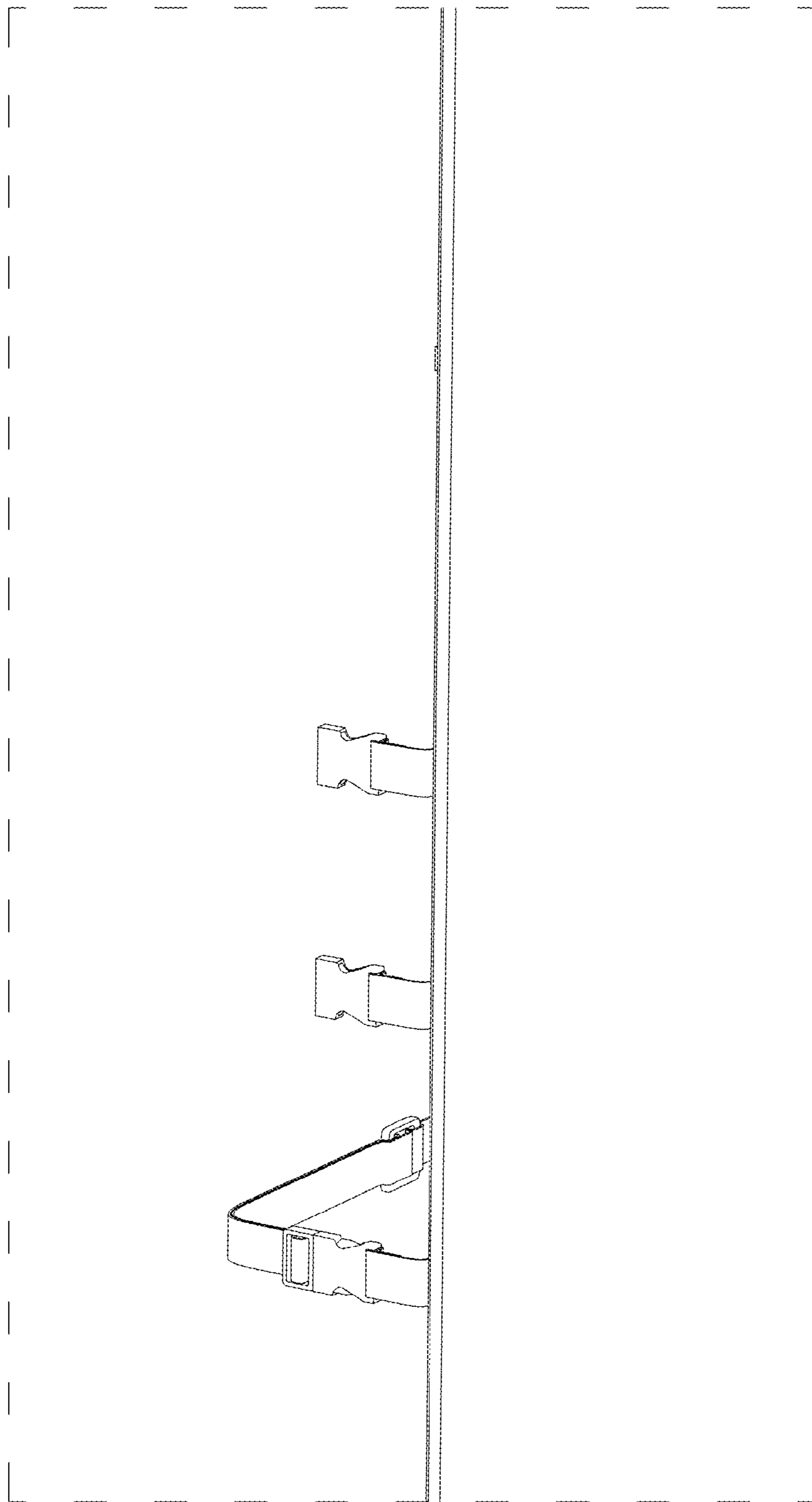


Fig. 12

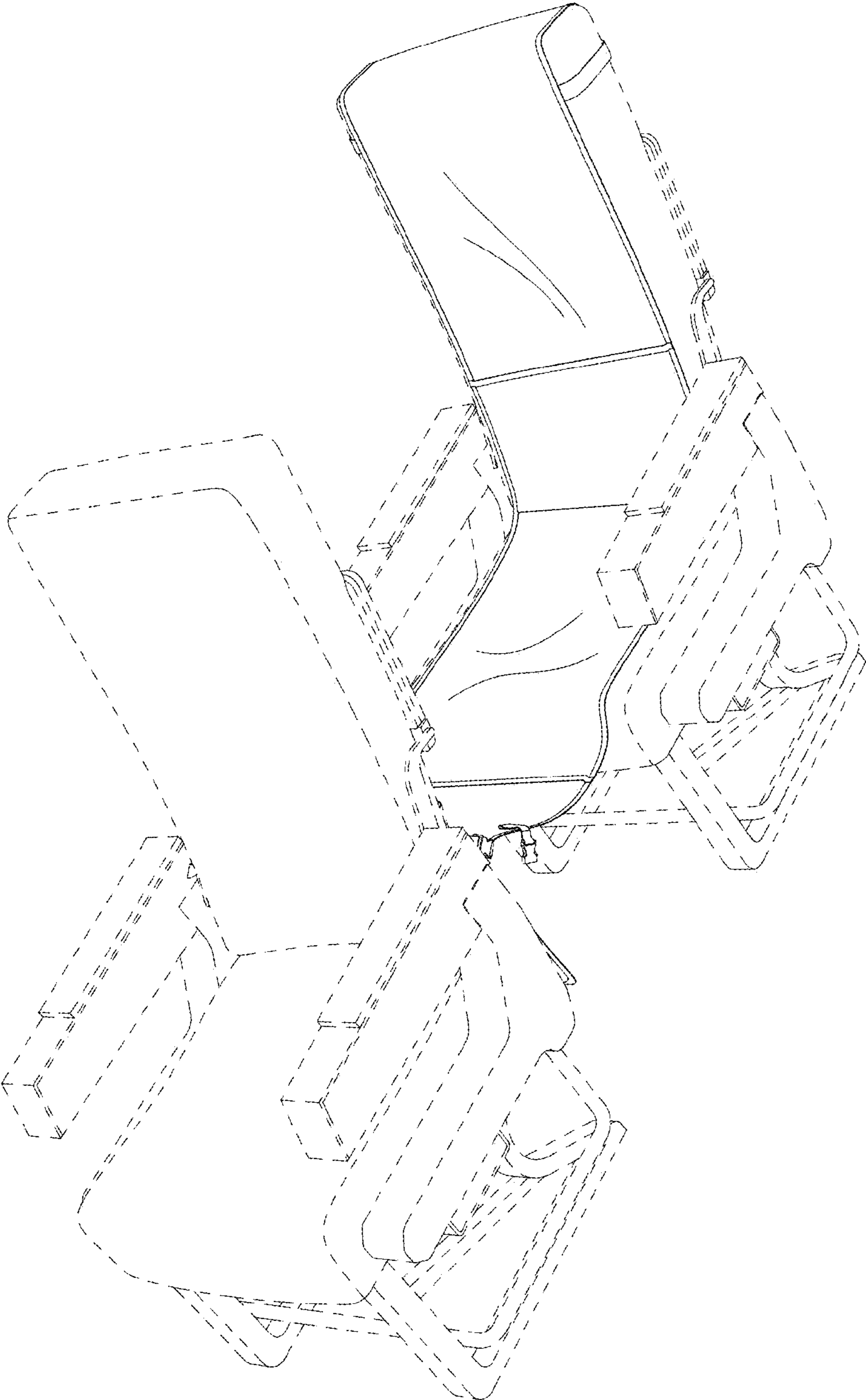


Fig. 13

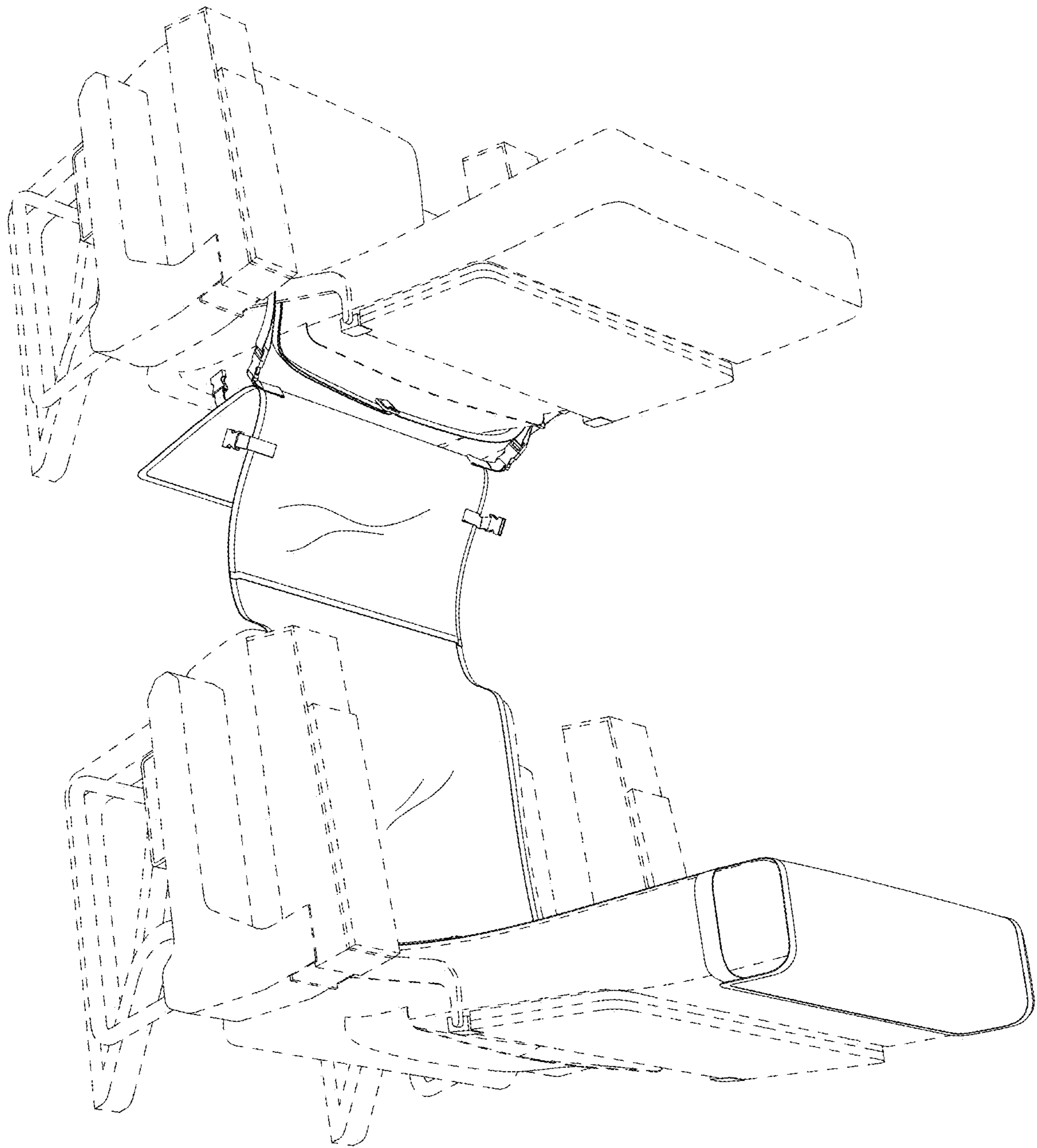


Fig. 14