



US00D909793S

(12) **United States Design Patent**  
**Reusche et al.**

(10) **Patent No.:** **US D909,793 S**  
(45) **Date of Patent:** **\*\* Feb. 9, 2021**

(54) **MATTRESS**

(71) Applicant: **SERTA, INC.**, Doraville, GA (US)

(72) Inventors: **Jacqueline Reusche**, Doraville, GA (US); **Matt Whitmer**, Doraville, GA (US); **Justin Johns**, Doraville, GA (US); **Lindsey Scales**, Doraville, GA (US); **Avril St. Louis**, Doraville, GA (US)

(73) Assignee: **SERTA, INC.**, Doraville, GA (US)

(\*\*) Term: **15 Years**

(21) Appl. No.: **29/699,583**

(22) Filed: **Jul. 26, 2019**

(51) **LOC (13) Cl.** ..... **06-09**

(52) **U.S. Cl.**  
USPC ..... **D6/605**

(58) **Field of Classification Search**  
USPC ..... D6/582-583, 587-592, 595-609,  
D6/617-622; D21/803-809; D24/183  
(Continued)

(56) **References Cited**

U.S. PATENT DOCUMENTS

D593,349 S \* 6/2009 Pittman ..... D6/596  
D679,931 S \* 4/2013 Itzkovitz ..... D6/605  
(Continued)

*Primary Examiner* — Jennifer L Rempfer

(74) *Attorney, Agent, or Firm* — Cantor Colburn LLP

(57) **CLAIM**

We claim the ornamental design for a mattress, as shown and described.

**DESCRIPTION**

FIG. 1 is a left side, top perspective view of a mattress embodying my design in accordance with one embodiment;

FIG. 2 is a rear elevational view depicting a head end of the mattress depicted in FIG. 1;

FIG. 3 is a front elevational view depicting a foot end of the mattress depicted in FIG. 1;

FIG. 4 is a right-side elevational view of the mattress depicted in FIG. 1;

FIG. 5 is a left-side elevational view of the mattress depicted in FIG. 1; and

FIG. 6 is a bottom plan view of the mattress depicted in FIG. 1;

FIG. 7 is a left side, top perspective view of a mattress embodying my design in accordance with another embodiment;

FIG. 8 is a rear elevational view depicting a head end of the mattress depicted in FIG. 7;

FIG. 9 is a front elevational view depicting a foot end of the mattress depicted in FIG. 7;

FIG. 10 is a right-side elevational view of the mattress depicted in FIG. 7;

FIG. 11 is a left-side elevational view of the mattress depicted in FIG. 7; and

FIG. 12 is a bottom plan view of the mattress depicted in FIG. 7;

FIG. 13 is a left side, top perspective view of a mattress embodying my design in accordance with still another embodiment;

FIG. 14 is a rear elevational view depicting a head end of the mattress depicted in FIG. 13;

FIG. 15 is a front elevational view depicting a foot end of the mattress depicted in FIG. 13;

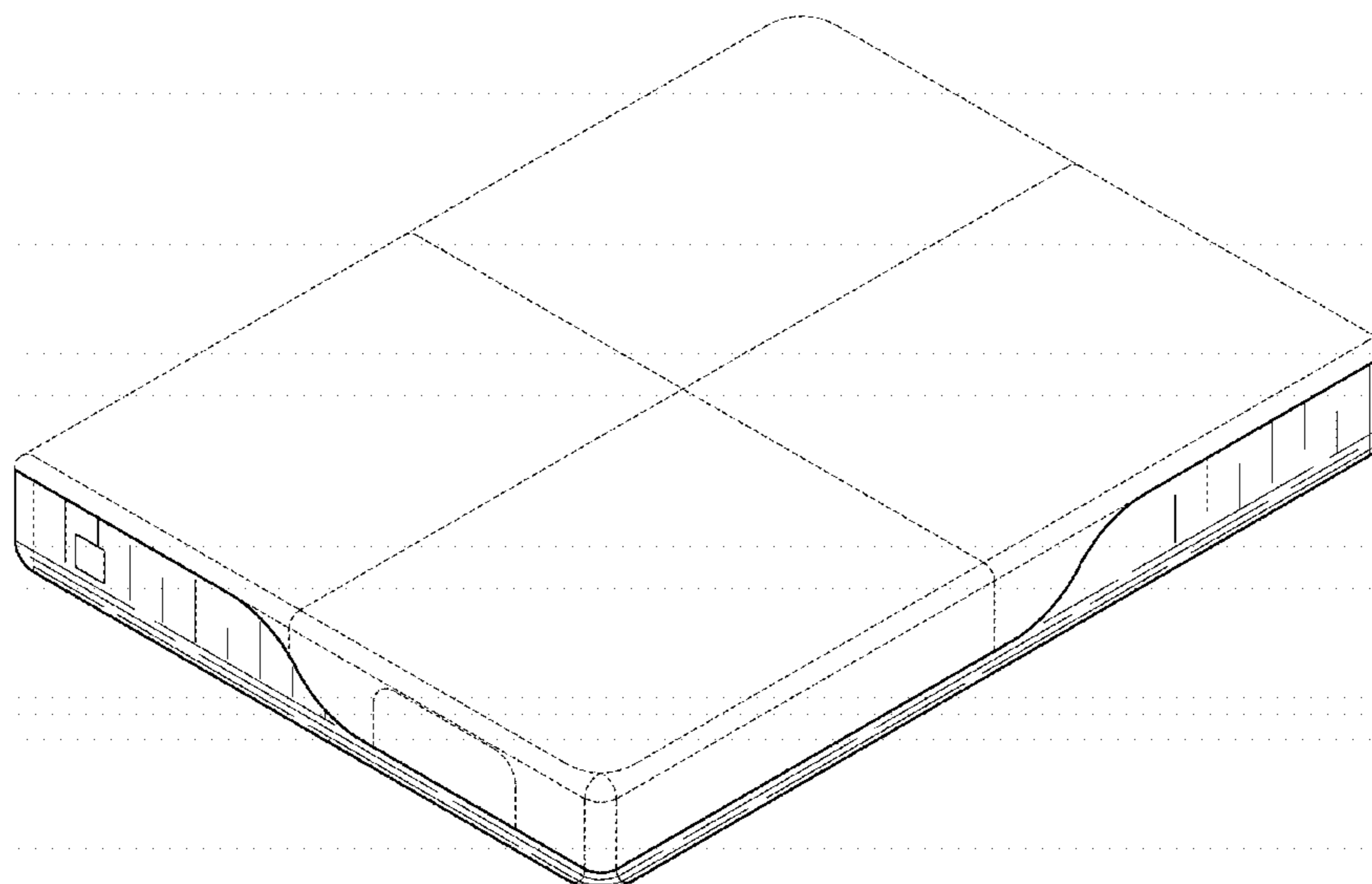
FIG. 16 is a right-side elevational view of the mattress depicted in FIG. 13;

FIG. 17 is a left-side elevational view of the mattress depicted in FIG. 13; and,

FIG. 18 is a bottom plan view of the mattress depicted in FIG. 13.

The broken lines represent features of the mattress that form no part of the claim.

**1 Claim, 9 Drawing Sheets**



(58) **Field of Classification Search**

CPC ..... A47G 9/00; A47G 2009/001; A47G  
2009/002; A47G 2009/003; A47G  
2009/005; A47G 2009/006; A47G 9/02;  
A47G 9/0207; A47G 9/0215; A47G  
9/0223; A47G 9/023; A47G 9/0238;  
A47G 9/0246; A47G 9/0253; A47G  
9/0261; A47G 9/06; A47G 9/062; A47G  
9/066; A47G 9/068; A47G 9/08; A47G  
2009/0276; A47G 9/0284; A47G 9/0292;  
A47G 9/04; A47G 9/10

See application file for complete search history.

(56) **References Cited**

U.S. PATENT DOCUMENTS

D717,078 S	*	11/2014	Arnold .....	D6/605
D802,964 S	*	11/2017	Alletto, Jr. ....	D6/605
D810,473 S	*	2/2018	Wightman .....	D6/606
D811,777 S	*	3/2018	Wightman .....	D6/606
D830,731 S	*	10/2018	Alletto, Jr. ....	D6/596
D831,383 S	*	10/2018	Alletto, Jr. ....	D6/596
D866,223 S	*	11/2019	Williams .....	D6/605

\* cited by examiner

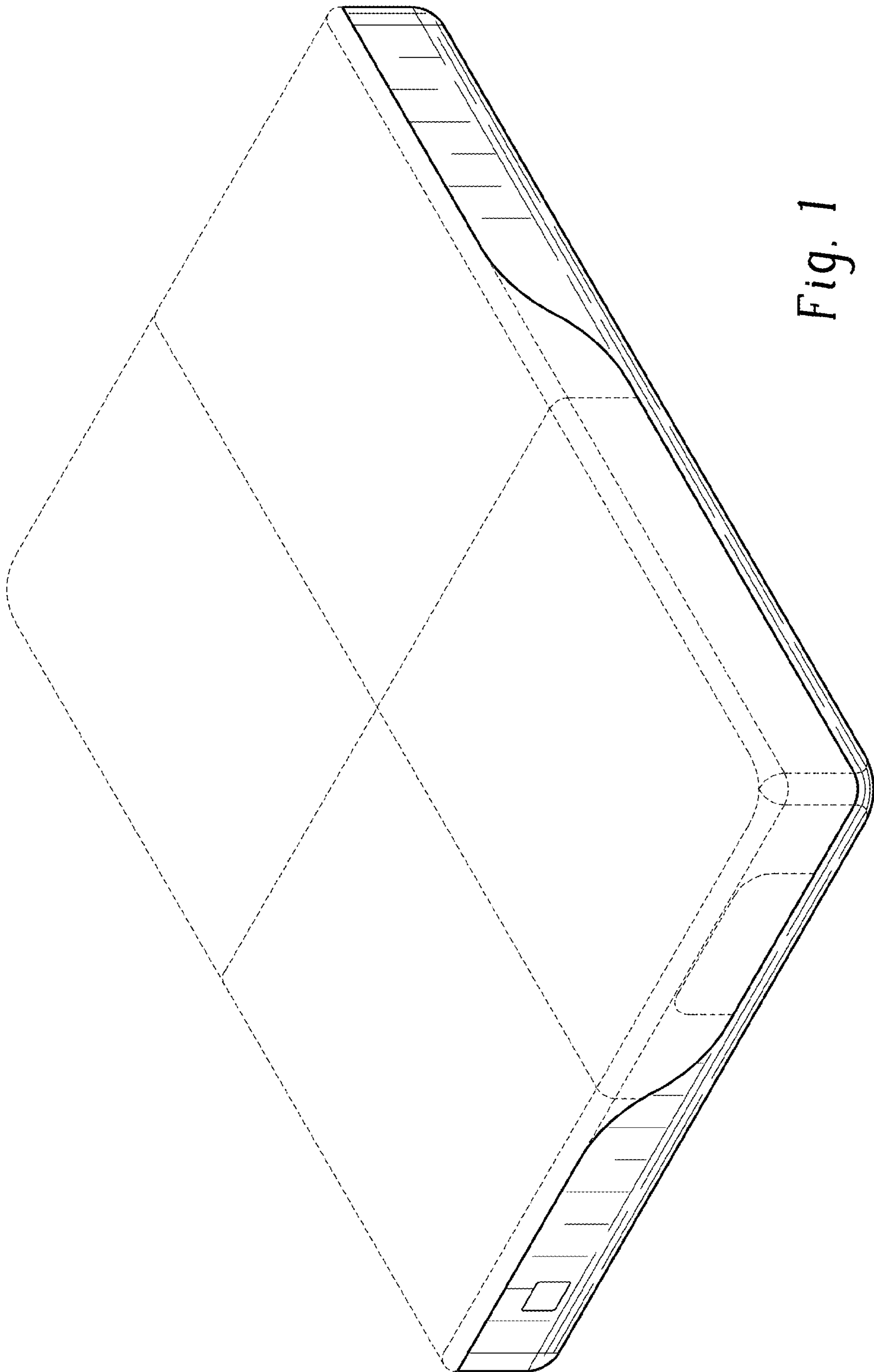


Fig. 1

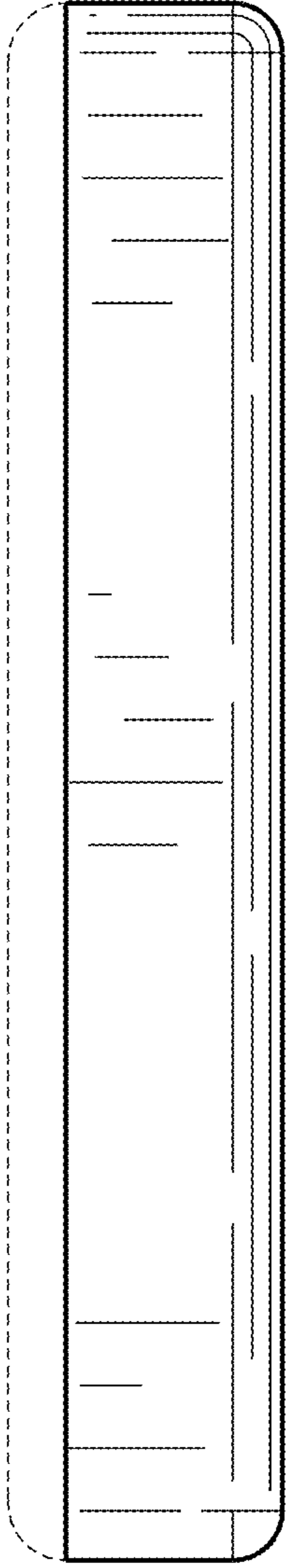


Fig. 2

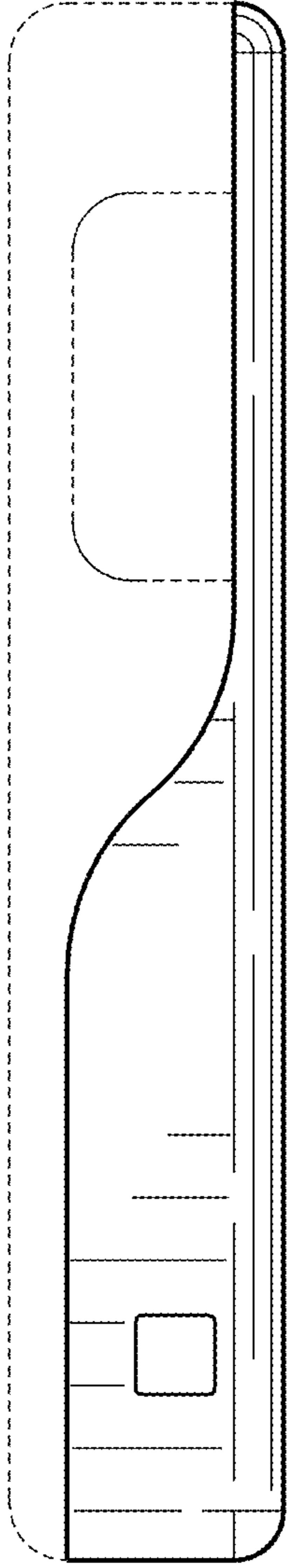


Fig. 3

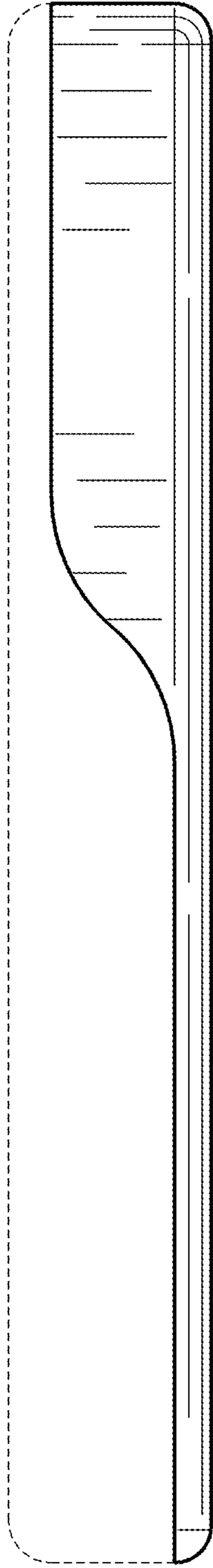


Fig. 4

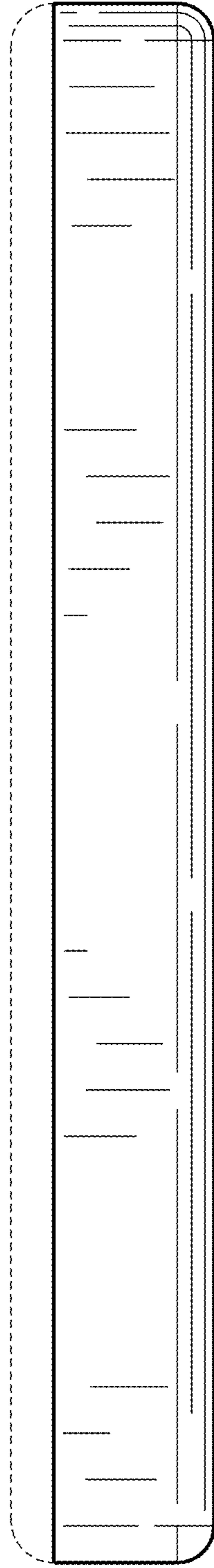
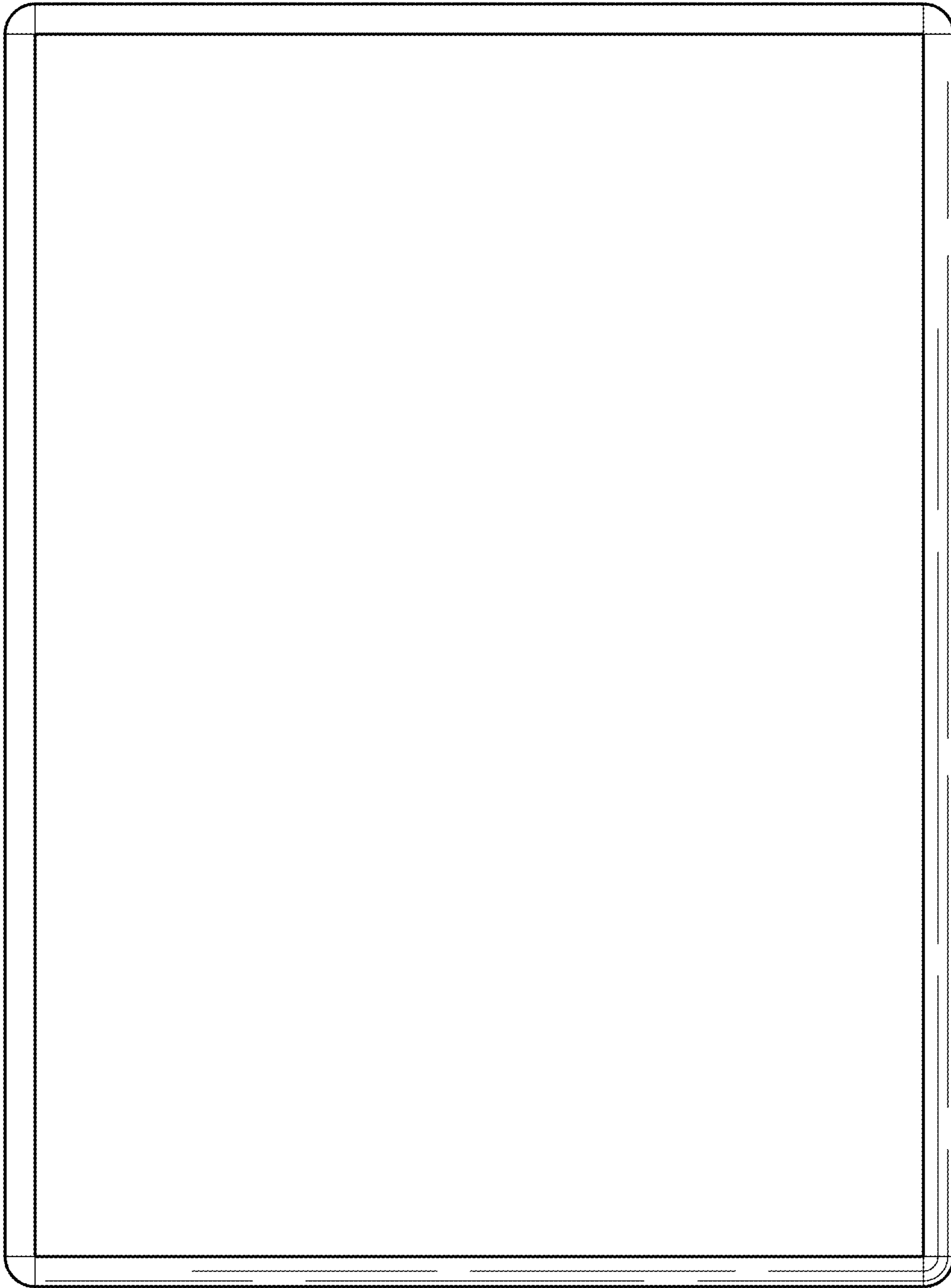


Fig. 5



*Fig. 6*

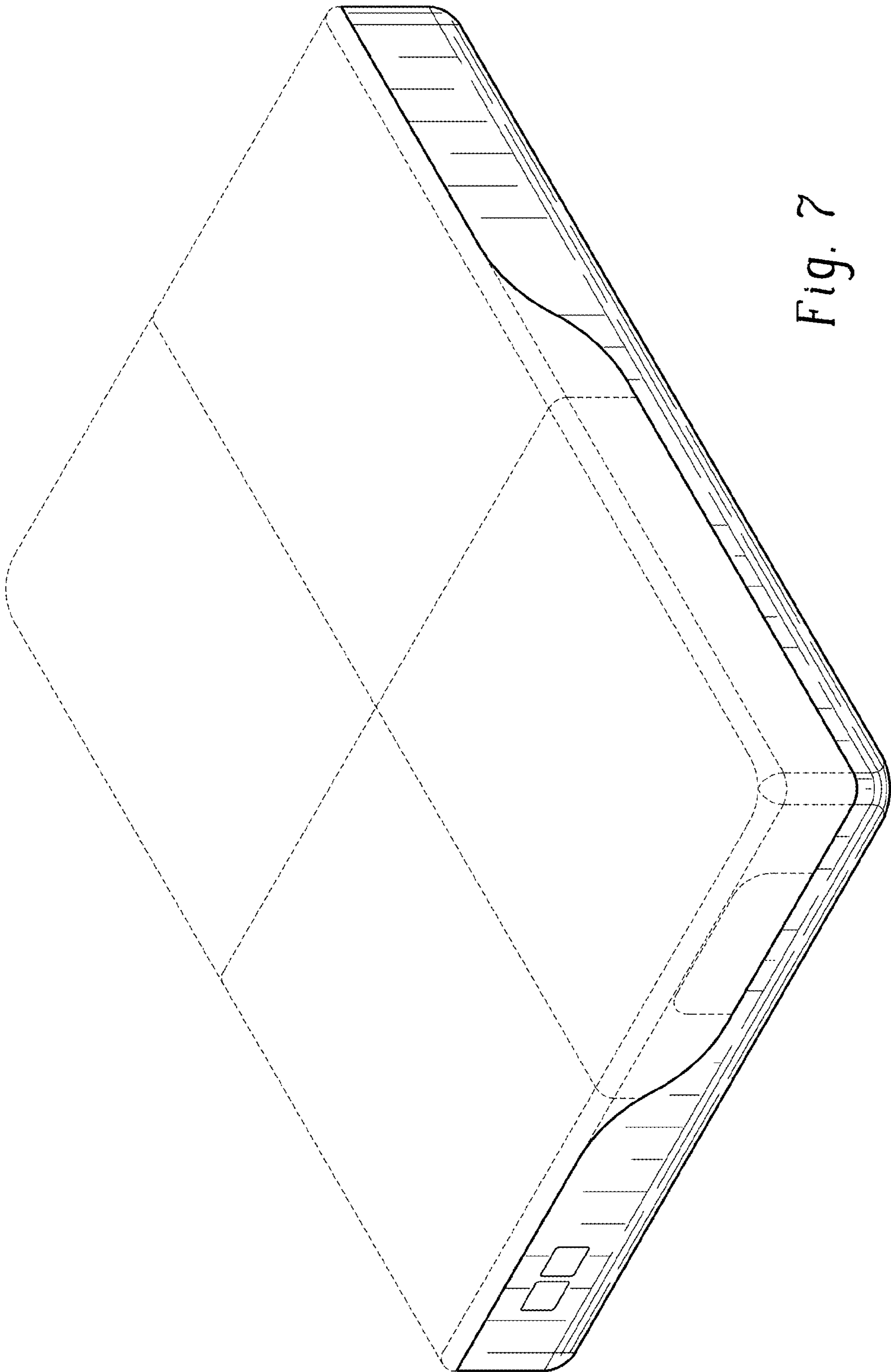


Fig. 7

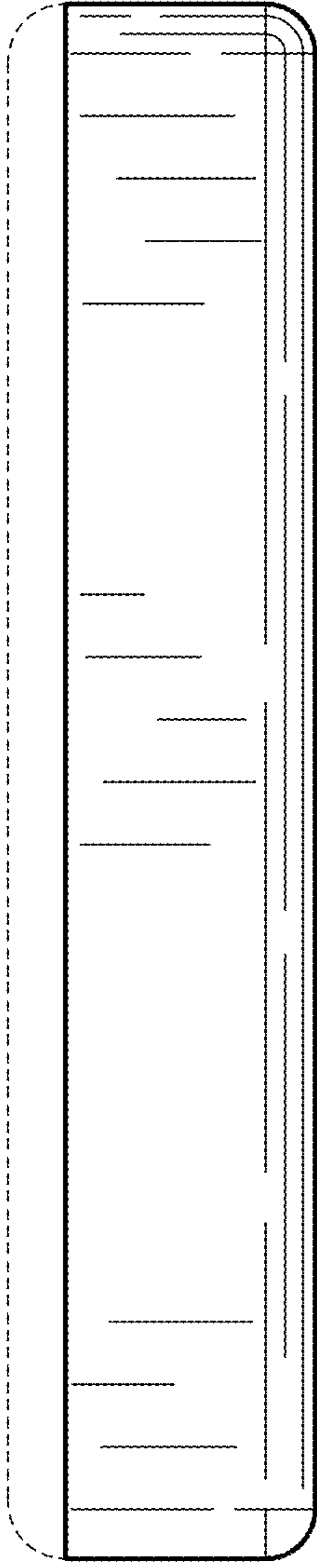


Fig. 8

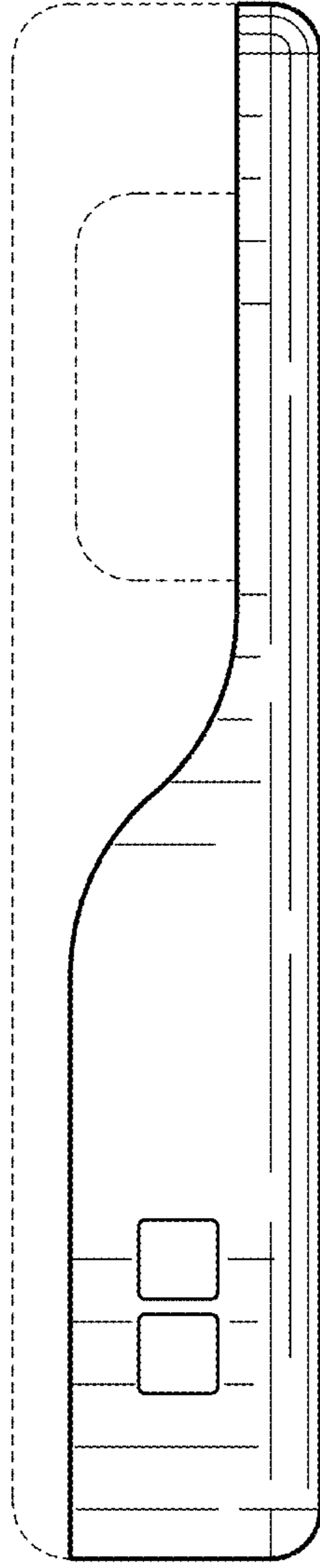


Fig. 9

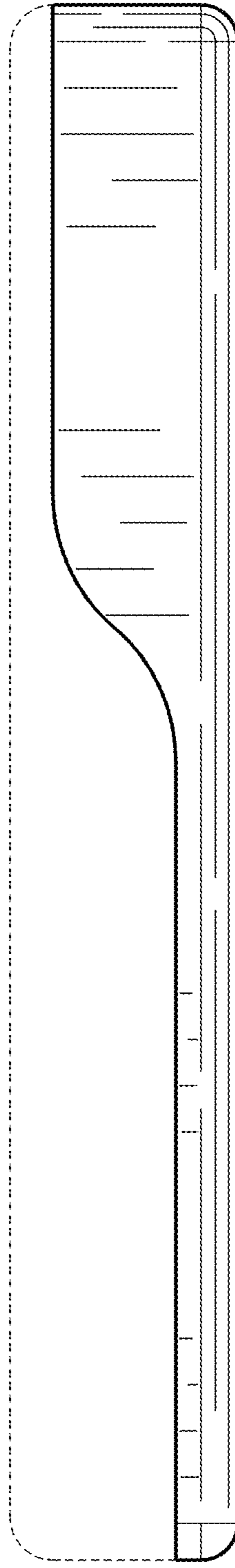


Fig. 10

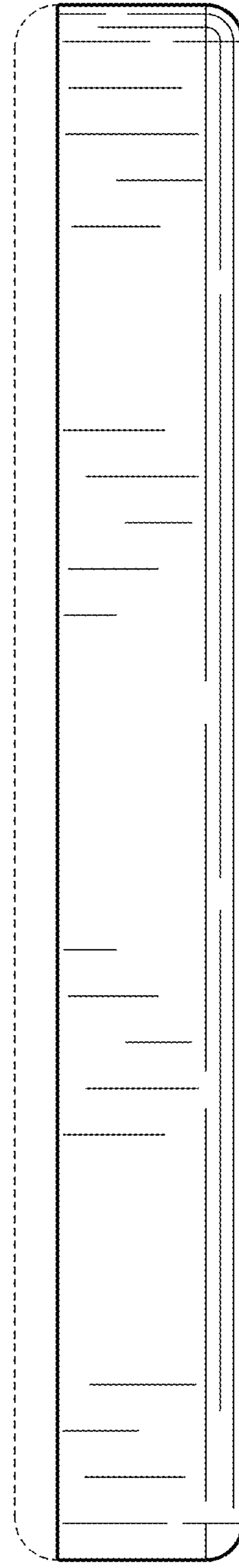
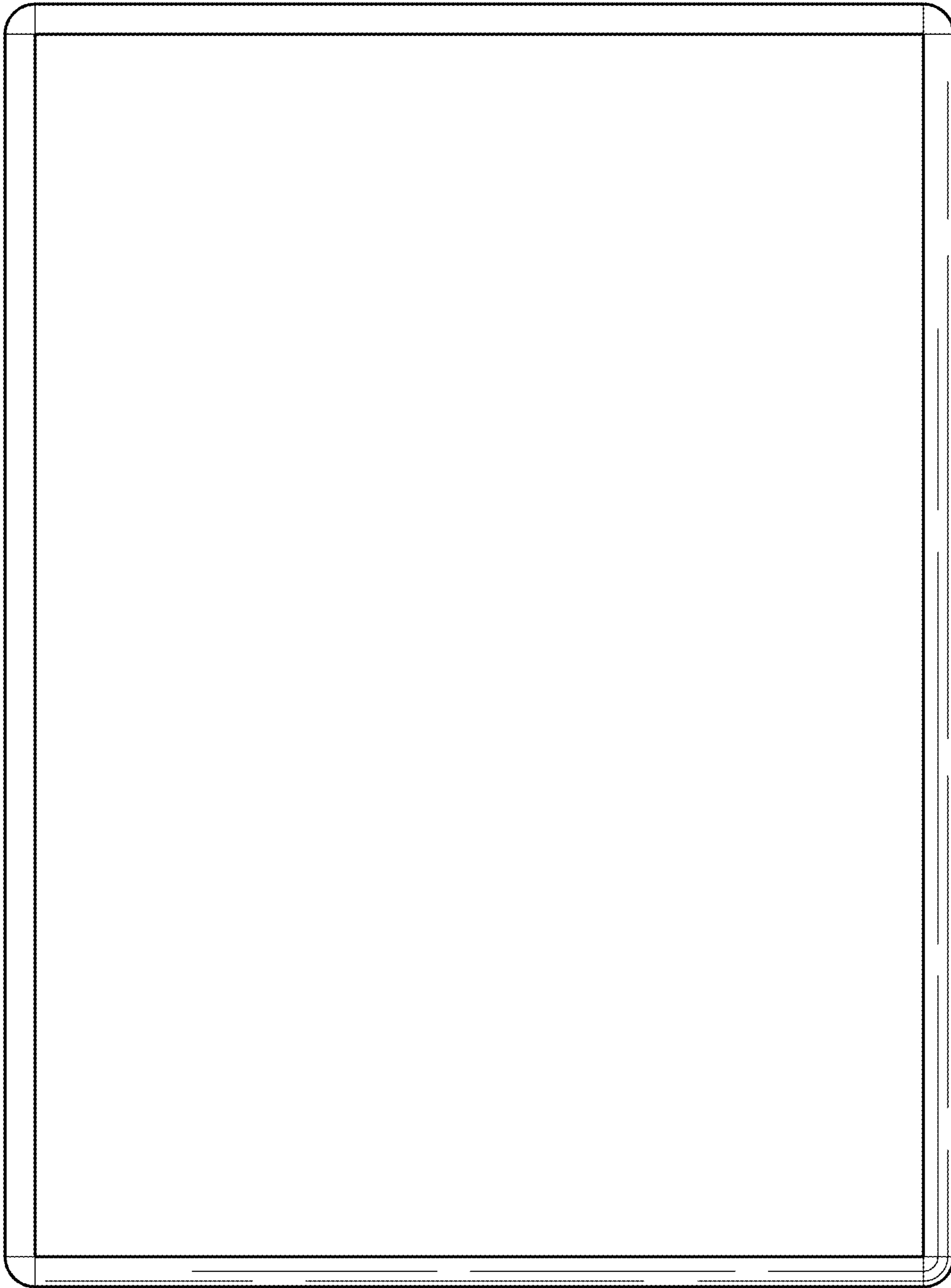


Fig. 11



*Fig. 12*



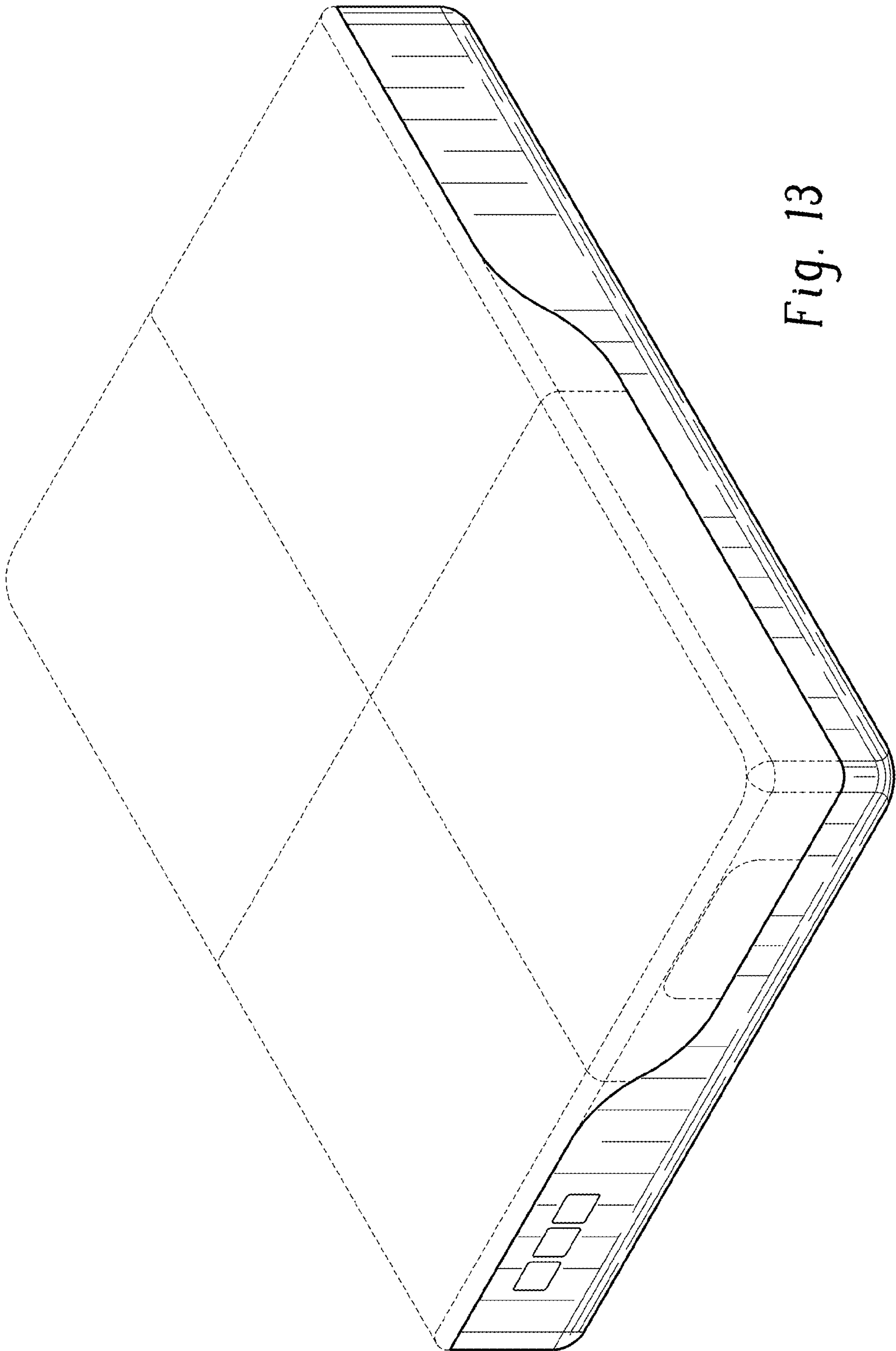


Fig. 13

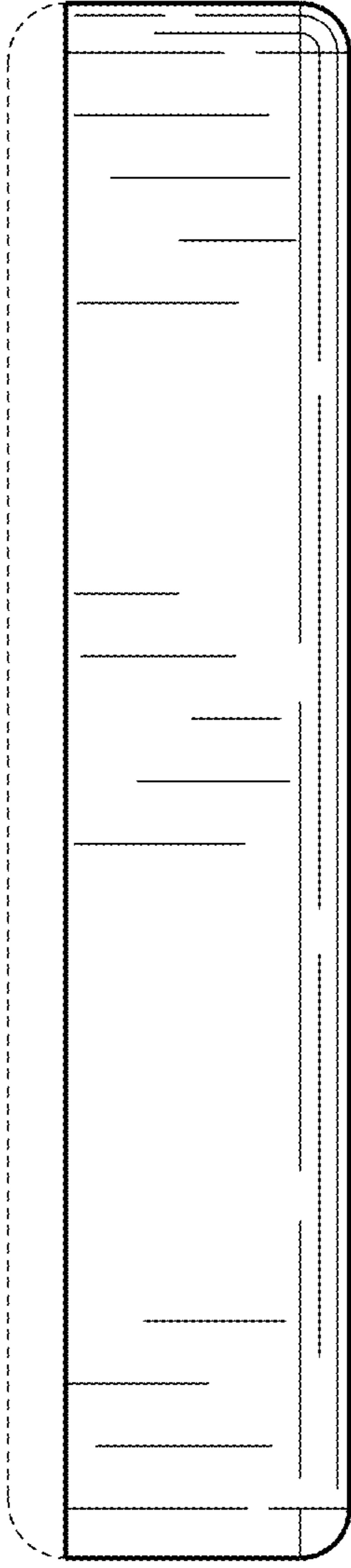


Fig. 14

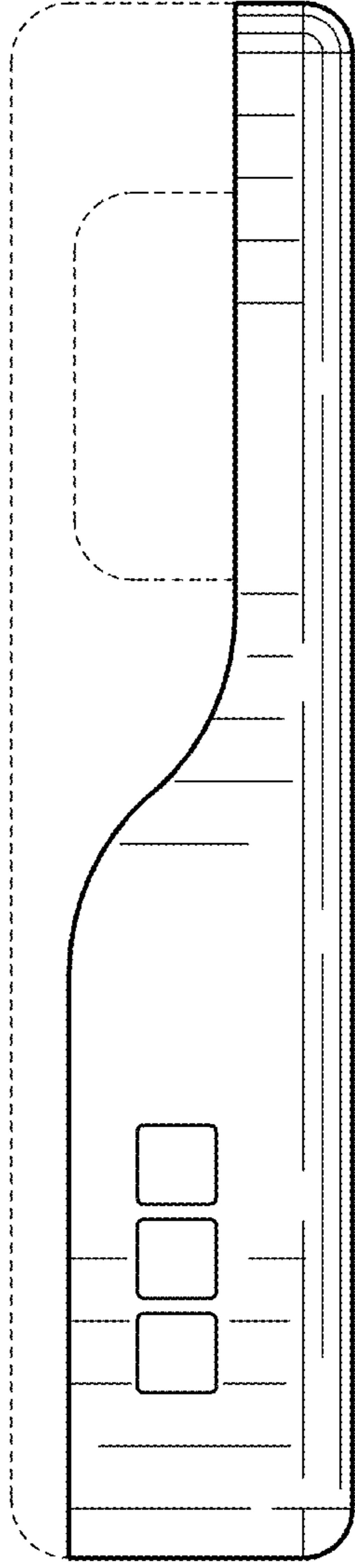


Fig. 15

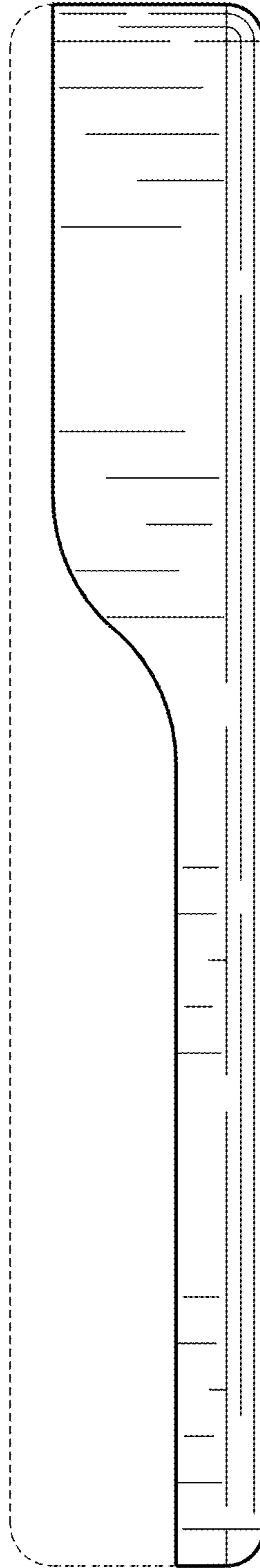


Fig. 16

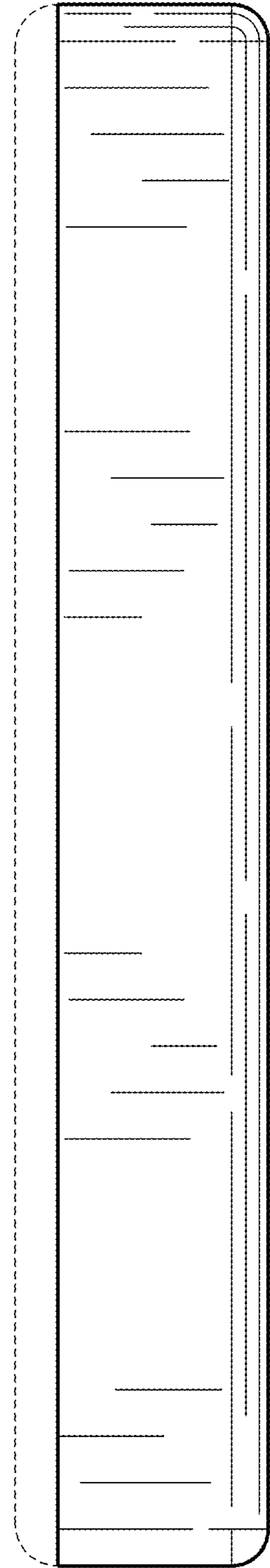
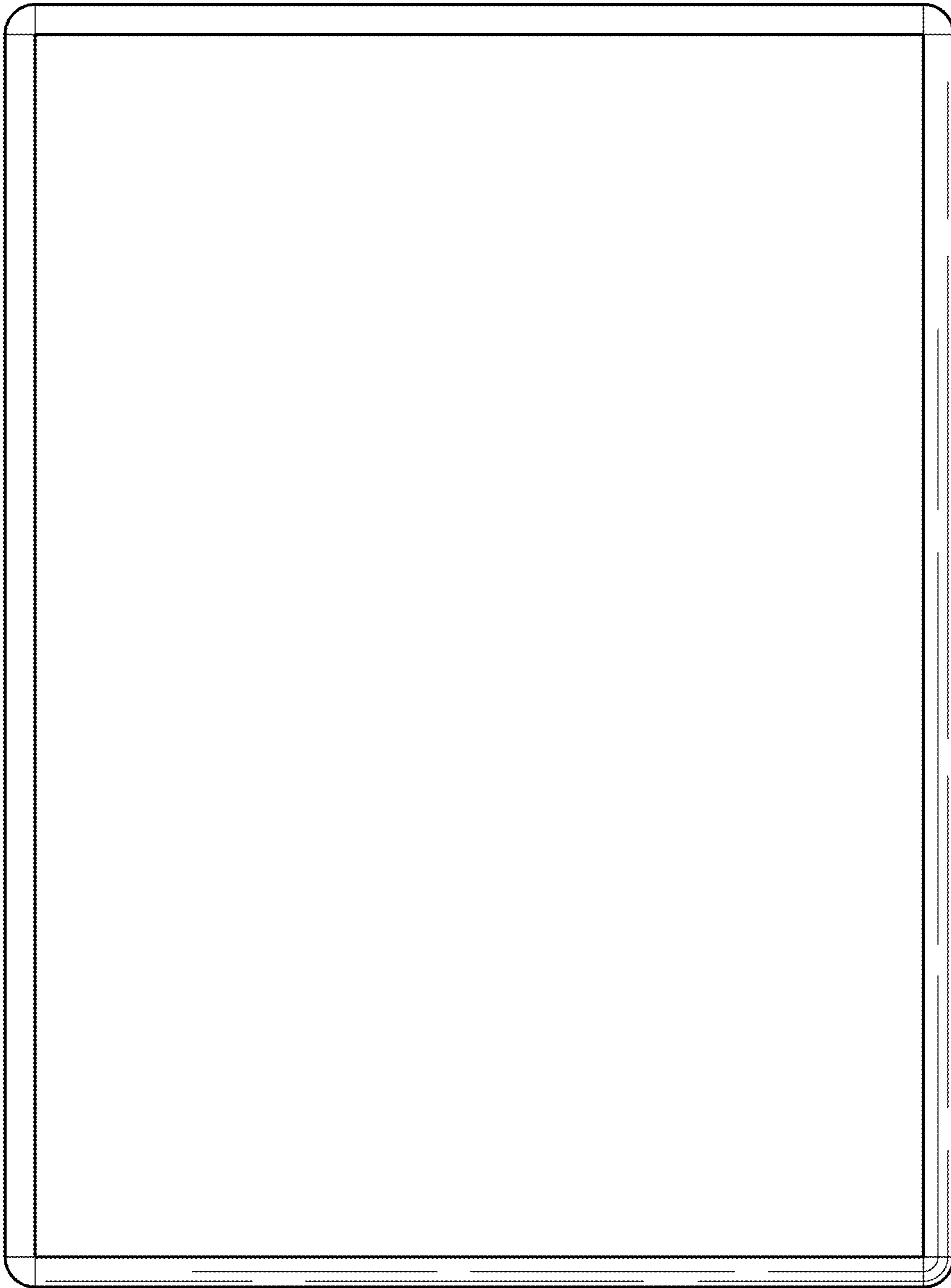


Fig. 17



*Fig. 18*