



US00D909788S

(12) **United States Design Patent** (10) **Patent No.:** **US D909,788 S**
Pejic (45) **Date of Patent:** **** *Feb. 9, 2021**

(54) **WINDOW TREATMENT**

(71) Applicant: **Lutron Technology Company LLC**,
Coopersburg, PA (US)

(72) Inventor: **Vladislav Pejic**, Allentown, PA (US)

(73) Assignee: **Lutron Technology Company LLC**,
Coopersburg, PA (US)

(*) Notice: This patent is subject to a terminal disclaimer.

(**) Term: **15 Years**

(21) Appl. No.: **29/716,098**

(22) Filed: **Dec. 6, 2019**

Related U.S. Application Data

(63) Continuation of application No. 29/602,225, filed on
Apr. 28, 2017, now Pat. No. Des. 871,795.

(51) **LOC (13) Cl.** **06-10**

(52) **U.S. Cl.**
USPC **D6/580**

(58) **Field of Classification Search**
USPC D6/575-577, 579, 580; D13/155;
D25/119, 121, 136

(Continued)

(56) **References Cited**

U.S. PATENT DOCUMENTS

320,245 A * 6/1885 Hamm E06B 9/40
160/238

414,090 A 10/1889 Taylor
(Continued)

OTHER PUBLICATIONS

“Vintage Finds: Monopoly!” Constellation & Co. Jul. 19, 2011
<<https://www.constellationco.com/blog/blog/2011/07/vintage-finds-monopoly>> Accessed on Sep. 14, 2018.

(Continued)

Primary Examiner — Kevin K Rudzinski

Assistant Examiner — Clare Ann Gannon

(74) *Attorney, Agent, or Firm* — Saidman DesignLaw
Group, LLC

(57) **CLAIM**

The ornamental design for a window treatment, as shown
and described.

DESCRIPTION

FIG. 1 is a perspective view of a window treatment showing
my new design;

FIG. 2 is a front view thereof;

FIG. 3 is a rear view thereof;

FIG. 4 is a top view thereof;

FIG. 5 is a bottom view thereof;

FIG. 6 is a left side view thereof;

FIG. 7 is a right side view thereof;

FIG. 8 is a perspective view of a second embodiment
thereof;

FIG. 9 is a front view thereof;

FIG. 10 is a rear view thereof;

FIG. 11 is a top view thereof;

FIG. 12 is a bottom view thereof;

FIG. 13 is a left side view thereof;

FIG. 14 is a right side view thereof;

FIG. 15 is a perspective view of a third embodiment thereof;

FIG. 16 is a front view thereof;

FIG. 17 is a rear view thereof;

FIG. 18 is a top view thereof;

FIG. 19 is a bottom view thereof;

FIG. 20 is a left side view thereof;

FIG. 21 is a right side view thereof;

FIG. 22 is a perspective view of a fourth embodiment
thereof;

FIG. 23 is a front view thereof;

FIG. 24 is a rear view thereof;

FIG. 25 is a top view thereof;

FIG. 26 is a bottom view thereof;

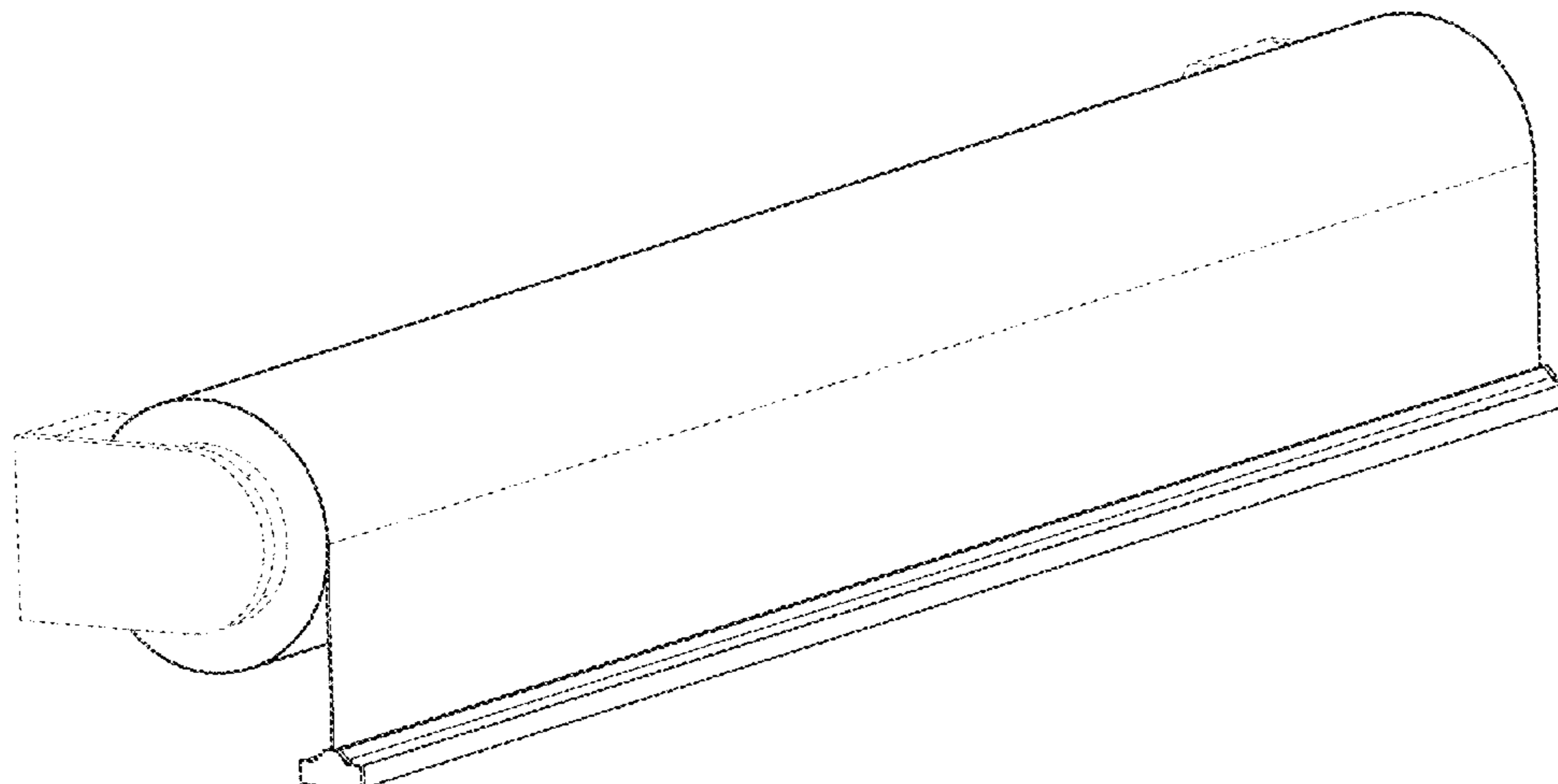
FIG. 27 is a left side view thereof; and,

FIG. 28 is a right side view thereof.

The broken lines illustrate portions of the window treatment
that form no part of the claimed design.

The break lines shown in FIGS. 15-19 and FIGS. 22-26
symbolize breaks in the length of the article in which the
claimed design is embodied. The appearance of any portion
of the article between the break lines forms no part of the
claimed design.

1 Claim, 12 Drawing Sheets



(58) **Field of Classification Search**
 CPC A47H 1/04; A47H 15/00; A47H 23/01;
 E06B 2009/2622; E06B 2009/402; E06B
 2009/407; E06B 9/26; E06B 9/28; E06B
 9/323; E06B 9/36; E06B 9/386; E06B
 9/388; E06B 9/40; E06B 9/42; E06B 9/58
 See application file for complete search history.

(56) **References Cited**

U.S. PATENT DOCUMENTS

1,757,017 A * 5/1930 Matovitz A47H 23/01
 160/392
 1,989,240 A * 1/1935 Magill E06B 9/386
 160/173 R
 2,560,836 A 7/1951 Zachlin
 3,524,491 A * 8/1970 Olson A47H 23/01
 160/393
 5,320,154 A 6/1994 Colson et al.
 D371,928 S * 7/1996 Evjy D6/575
 D467,670 S 12/2002 Krieger
 7,510,111 B2 3/2009 Mikkelsen et al.
 7,900,680 B2 3/2011 Garmyn et al.

8,857,494 B2 10/2014 Kirby et al.
 8,931,540 B2 1/2015 Filko
 D746,669 S 1/2016 McBride
 D756,592 S 5/2016 Bucks et al.
 D871,105 S * 12/2019 Pejic A47H 23/01
 D6/580
 D871,795 S * 1/2020 Pejic E06B 9/40
 D6/580
 2004/0182521 A1 9/2004 Rossato et al.
 2007/0163730 A1 * 7/2007 Liang E06B 9/382
 160/178.3
 2011/0049071 A1 3/2011 Hart et al.
 2012/0048262 A1 3/2012 Chang
 2015/0047792 A1 2/2015 Lukosiunas et al.
 2017/0009524 A1 1/2017 Dwarka
 2018/0112460 A1 * 4/2018 Huang E06B 9/382
 2018/0313146 A1 * 11/2018 Blair A47H 23/01

OTHER PUBLICATIONS

Bethlehem Steel Company Carbon Steel Bar Representative Sec-
 tions Photographs. p. 13, row 16. Year: 1937.
 U.S. Appl. No. 29/602,762, filed May 3, 2017 (unpublished).

* cited by examiner

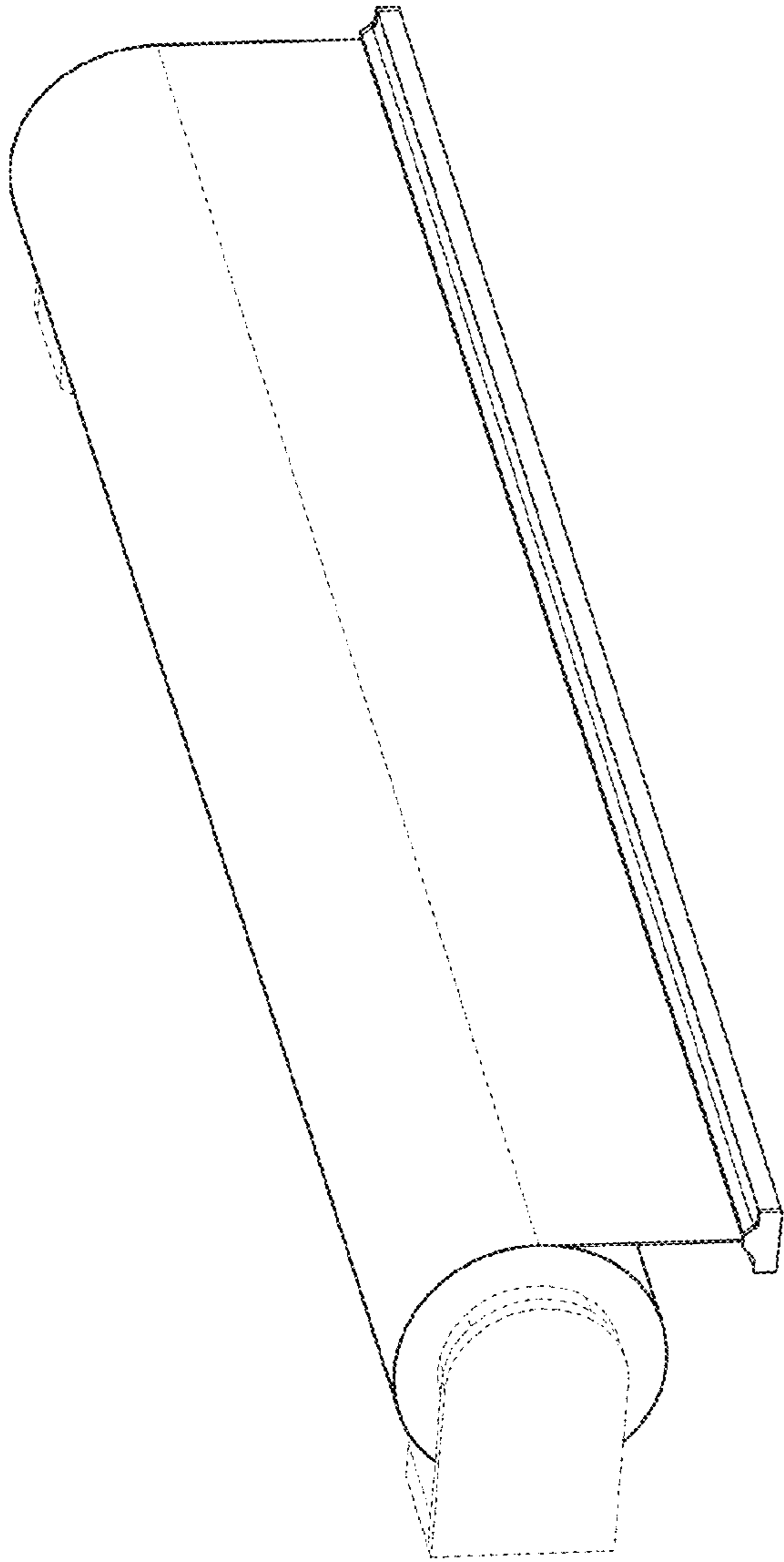


FIG. 1

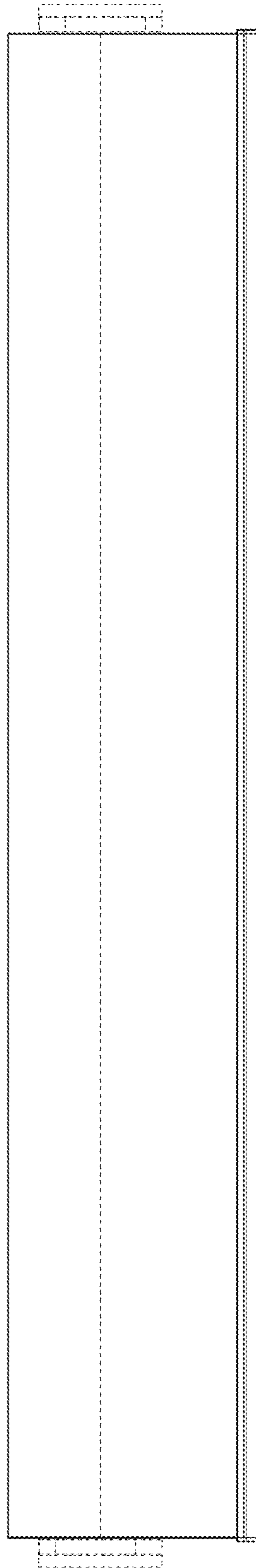


FIG. 2

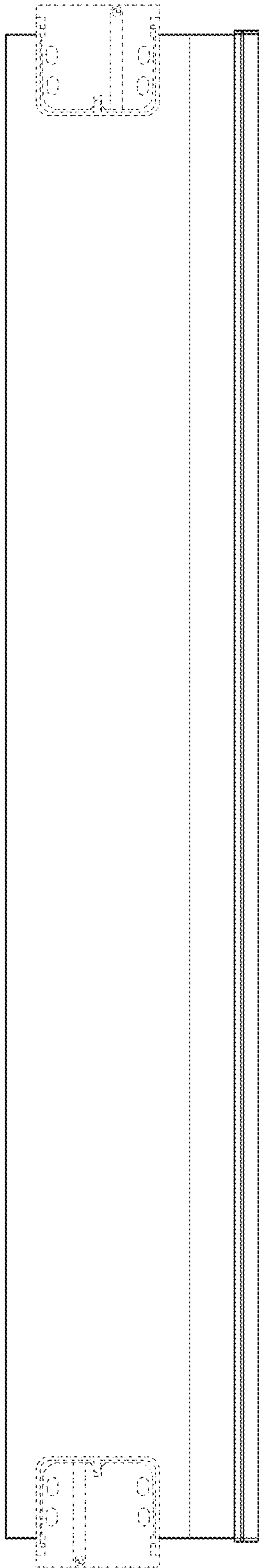


FIG. 3

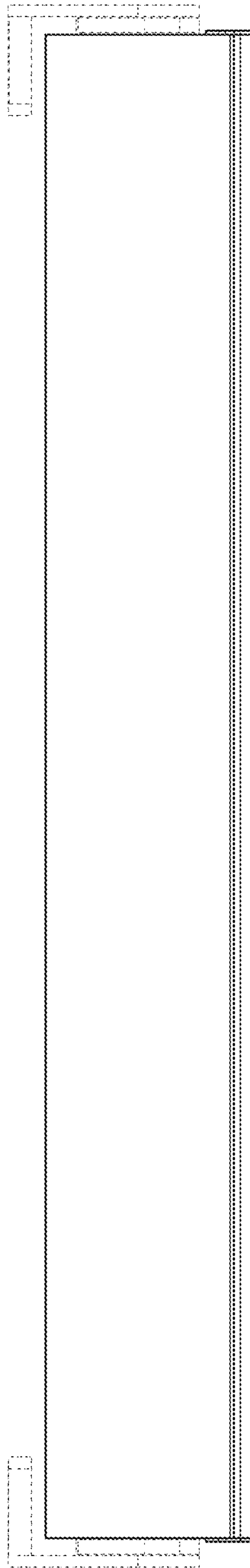


FIG. 4

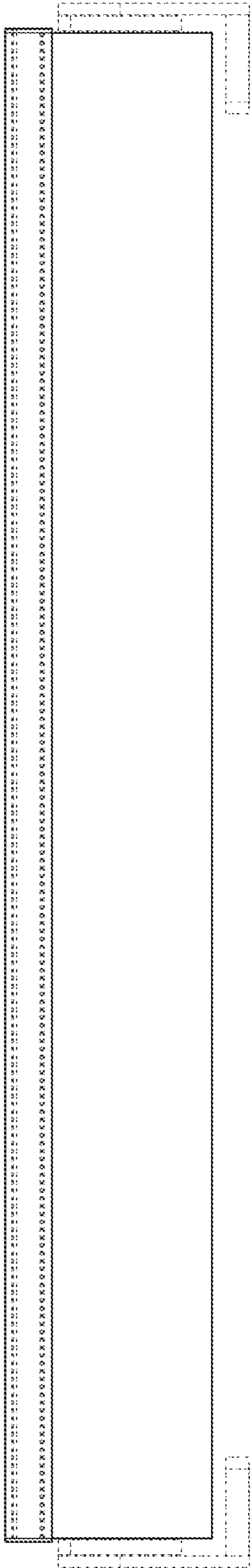


FIG. 5

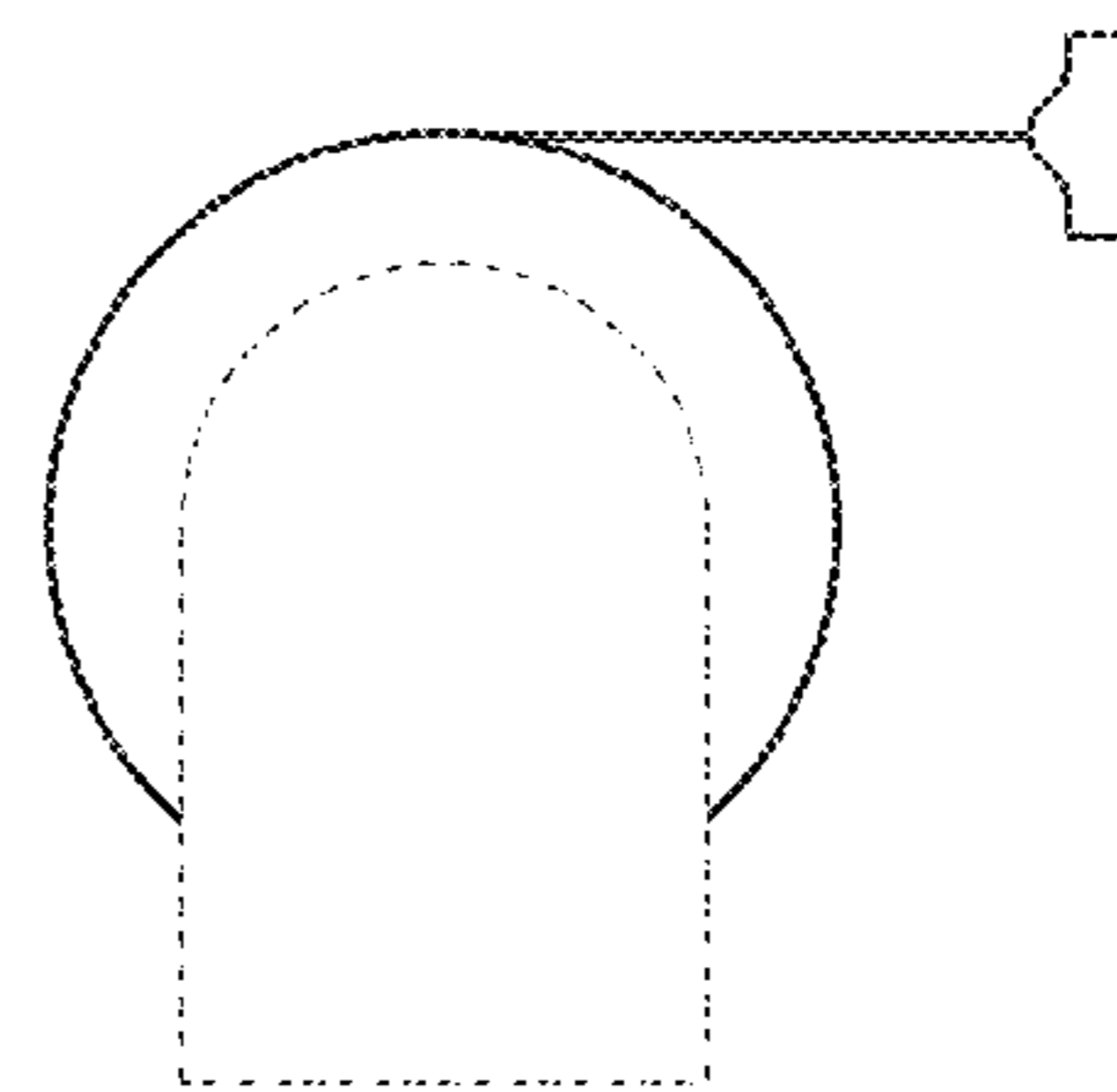


FIG. 6

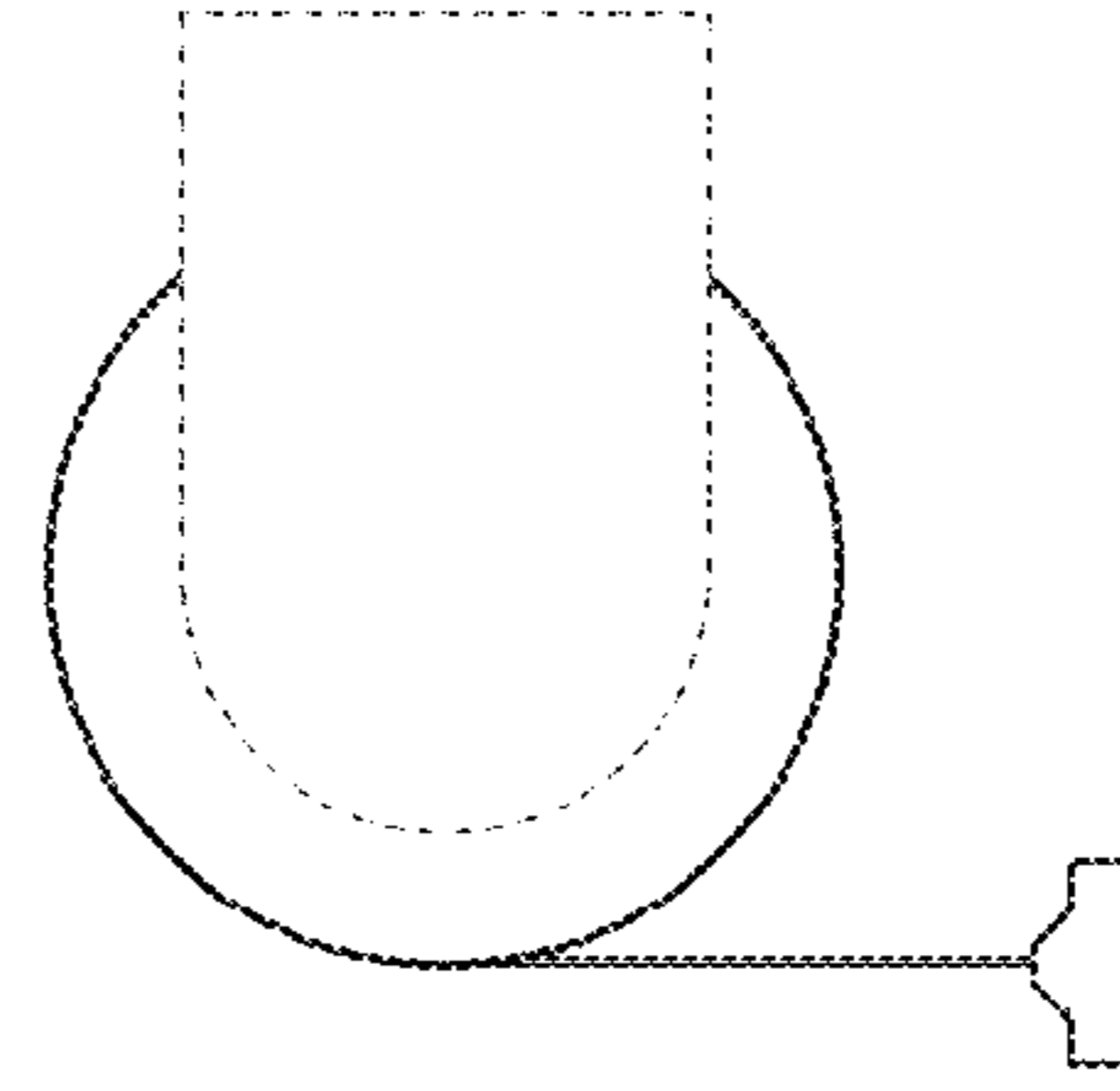


FIG. 7

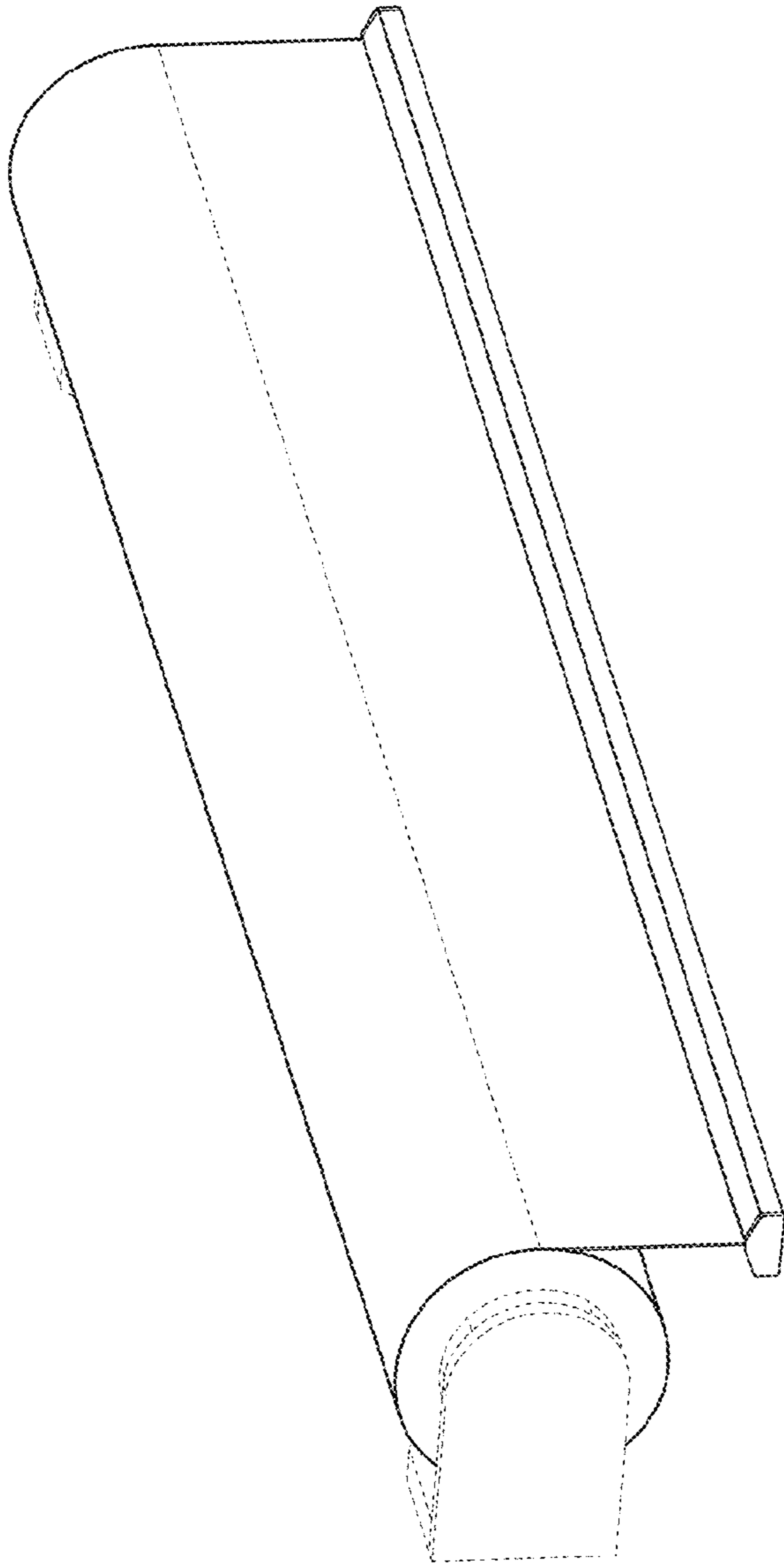


FIG. 8

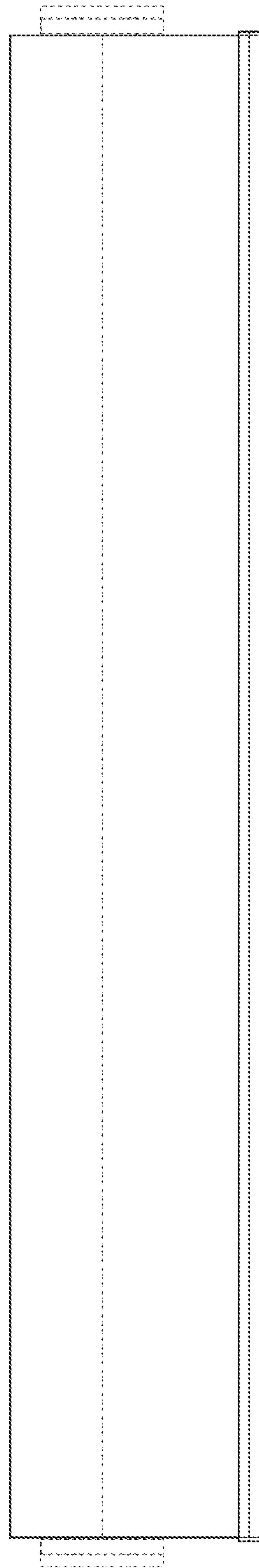


FIG. 9

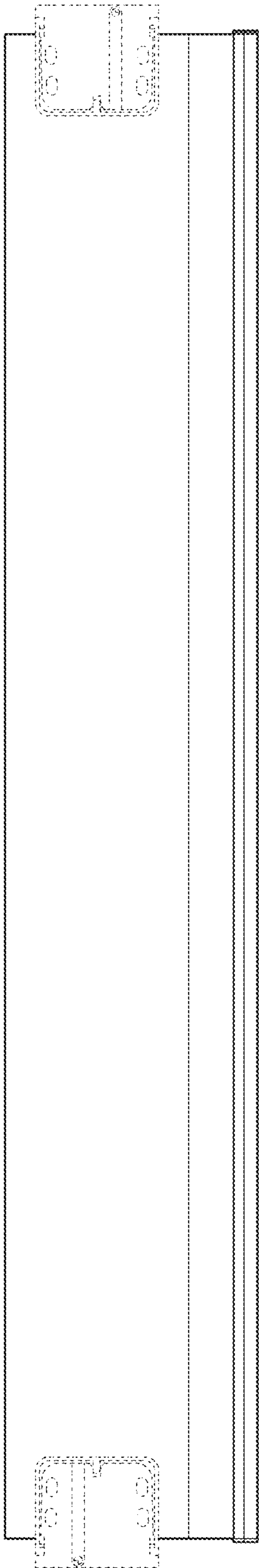


FIG. 10

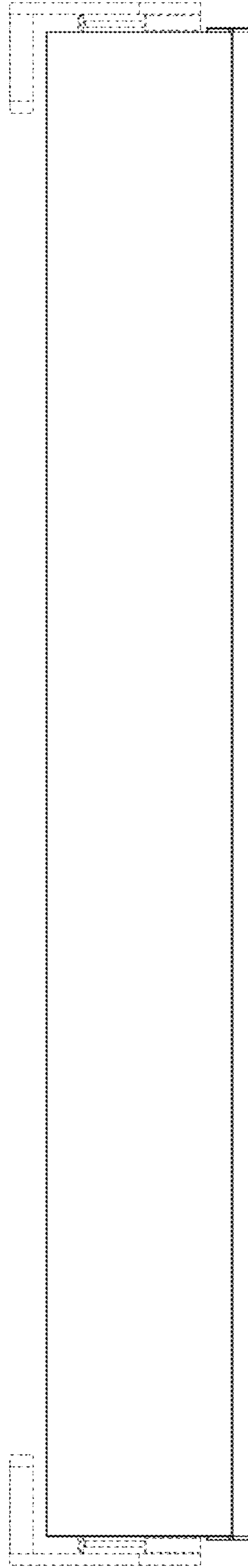


FIG. 11

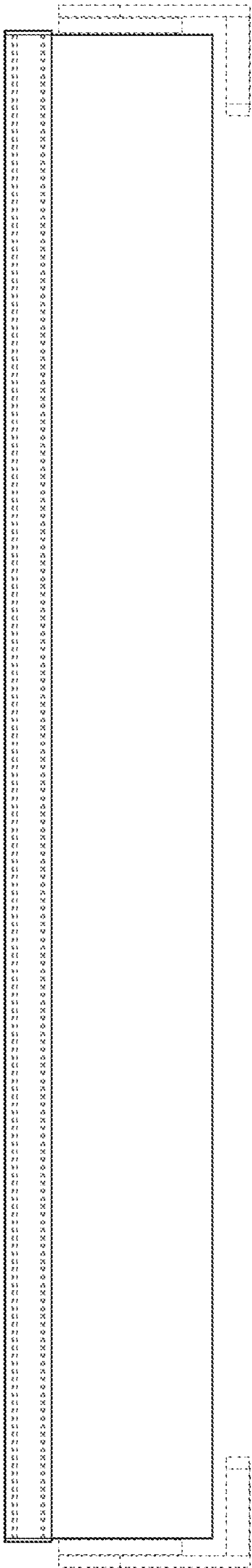


FIG. 12

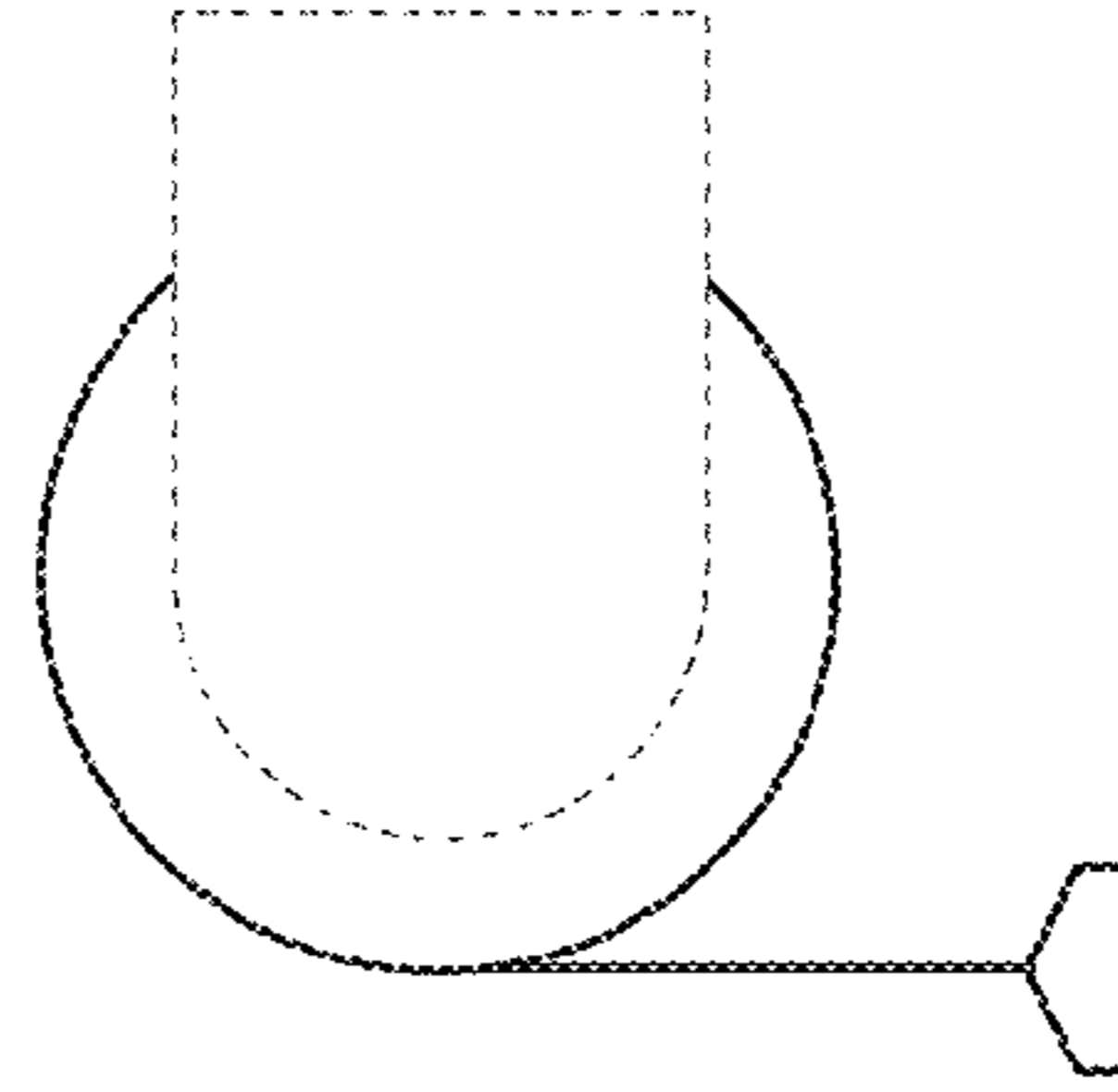


FIG. 14

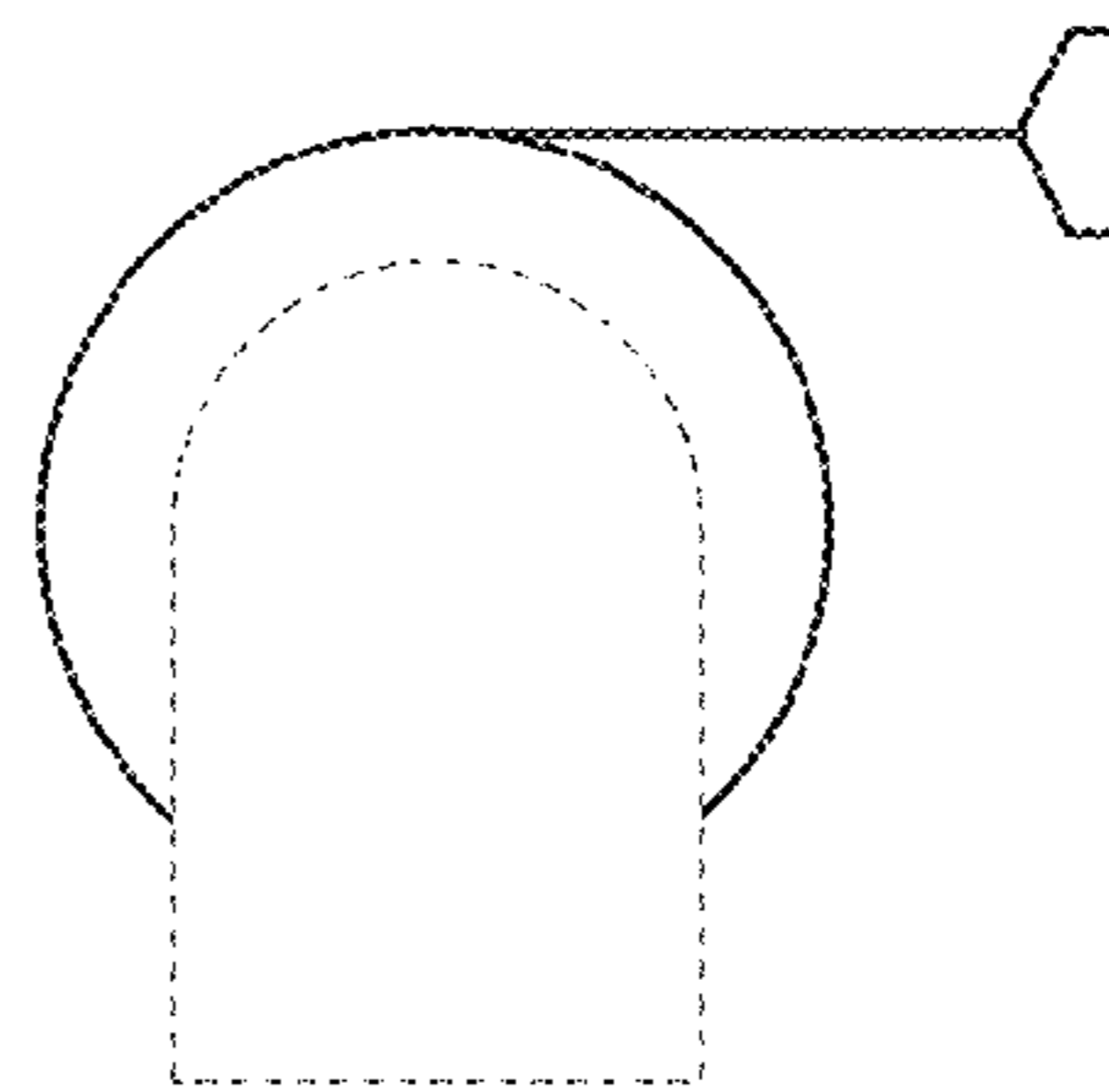


FIG. 13

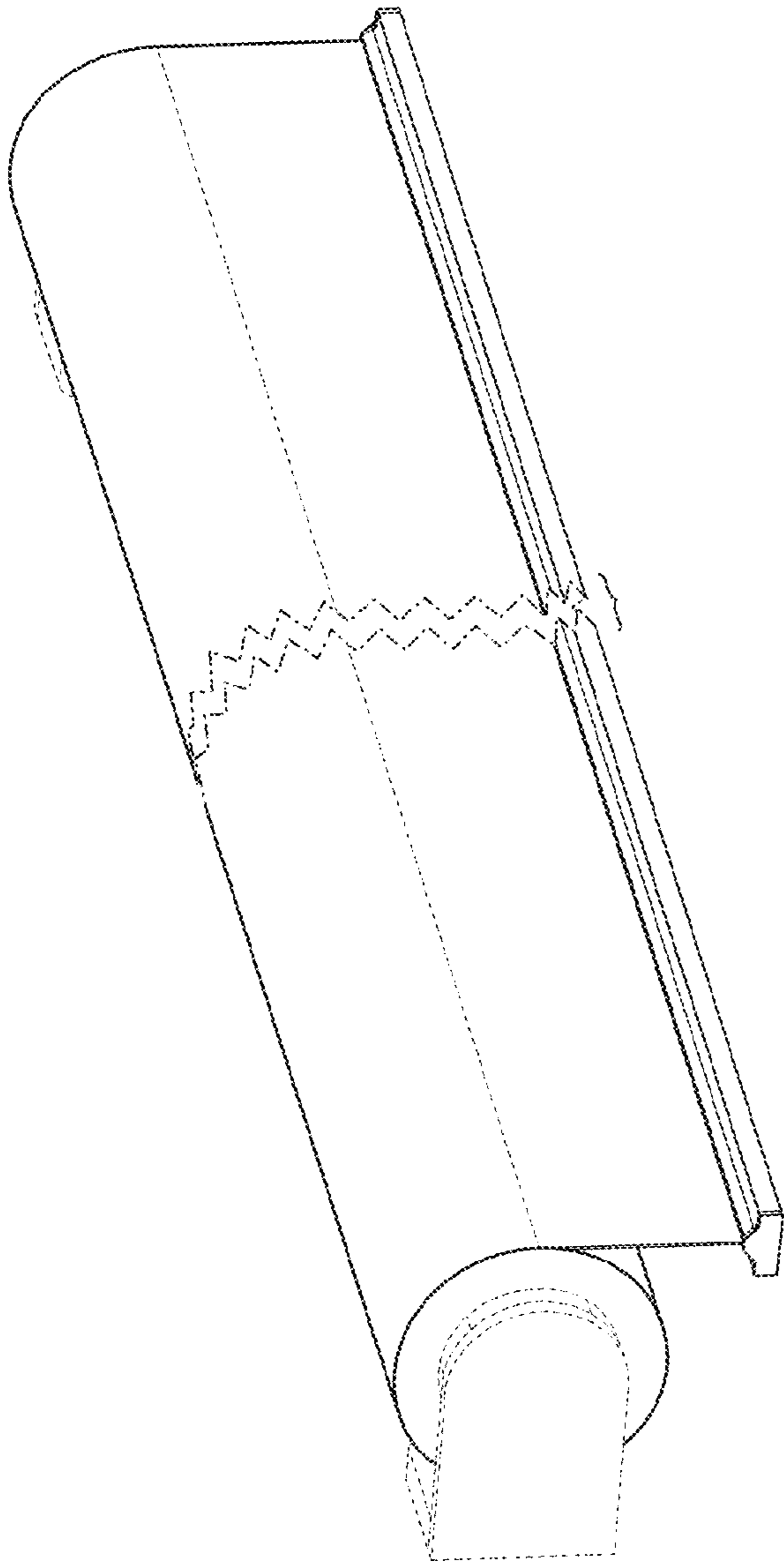


FIG. 15

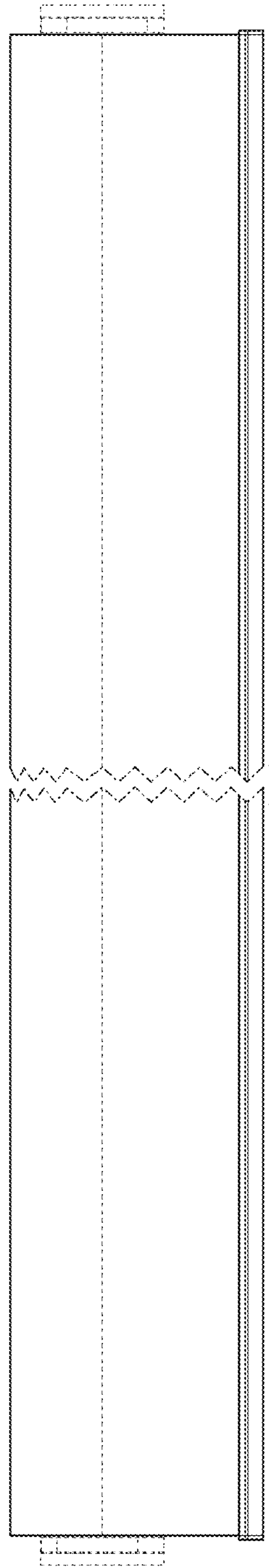


FIG. 16

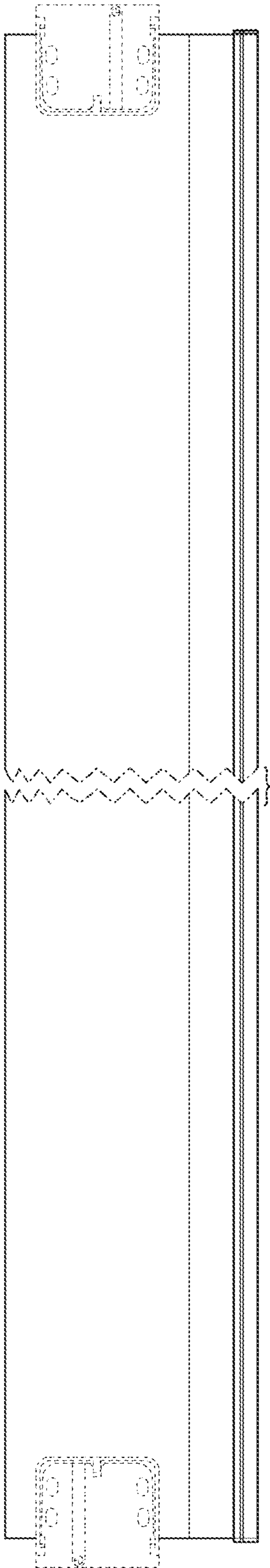


FIG. 17

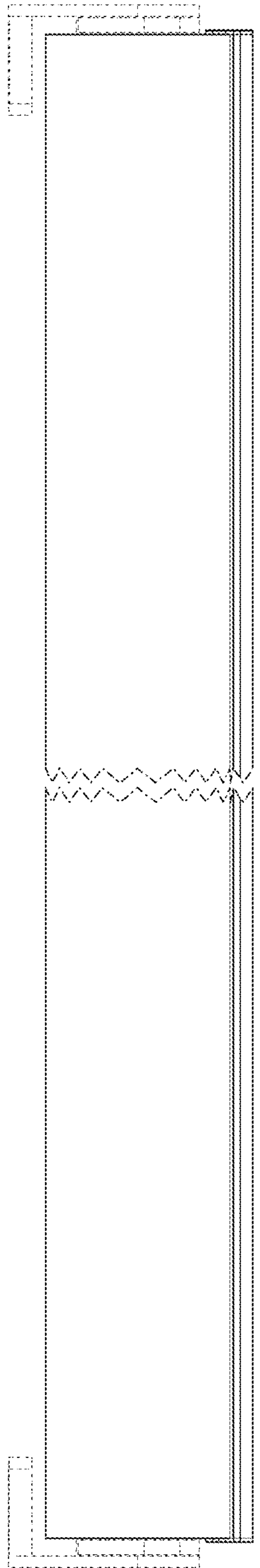


FIG. 18

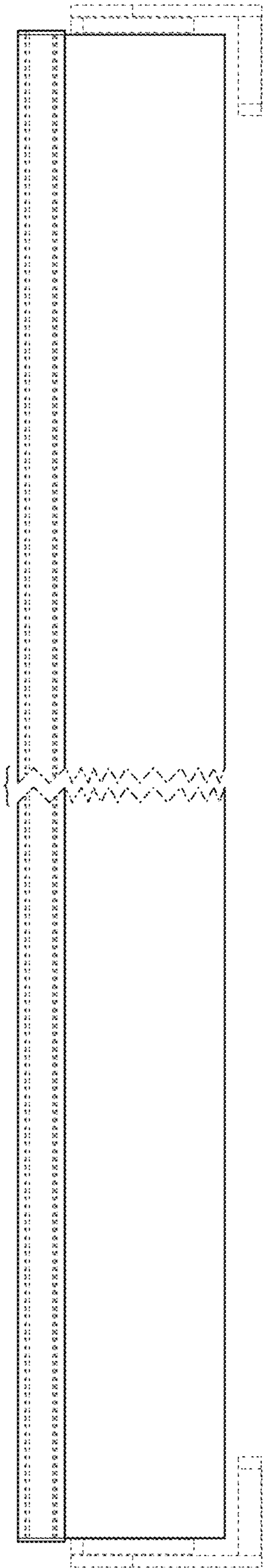


FIG. 19

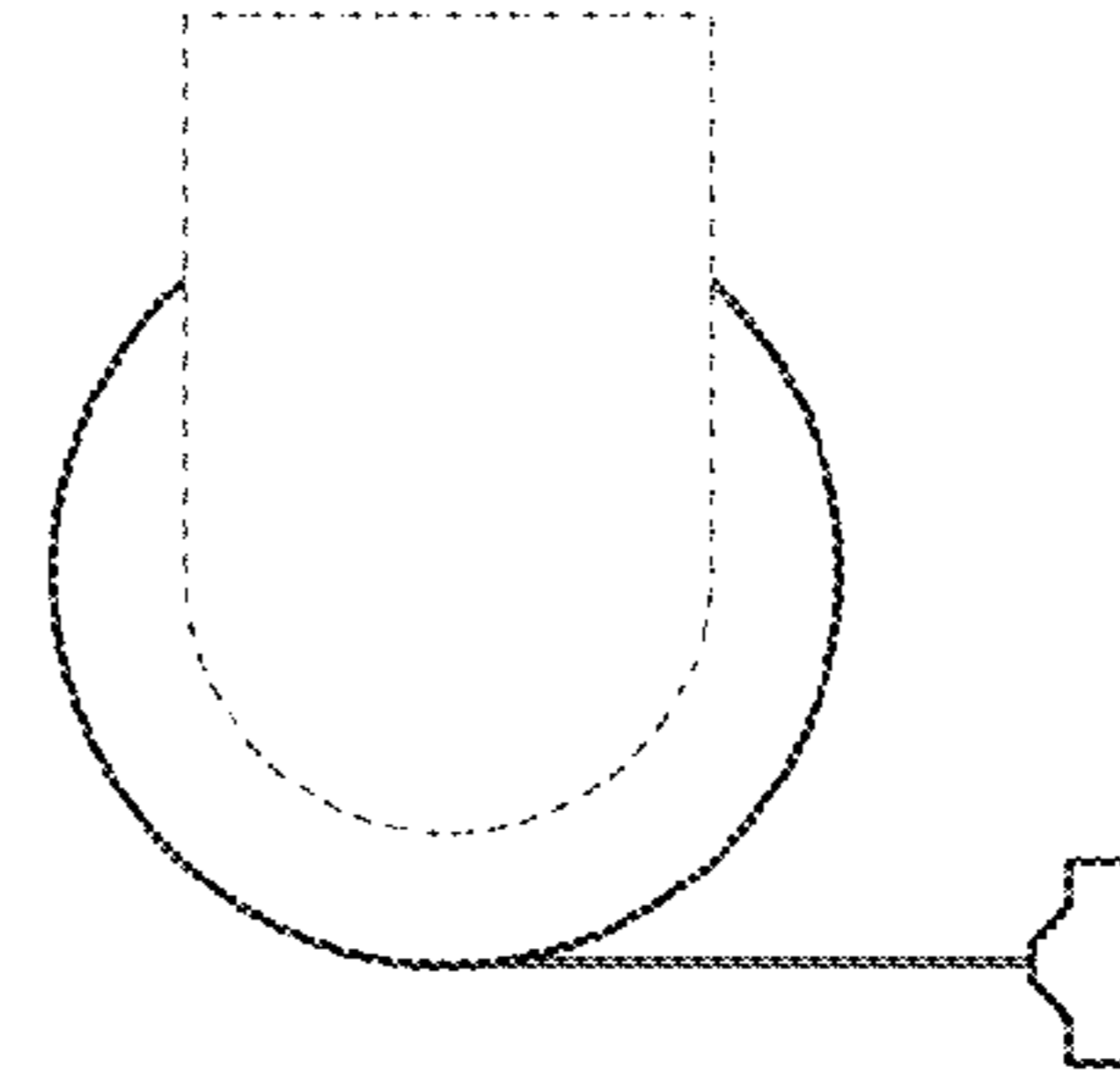


FIG. 21

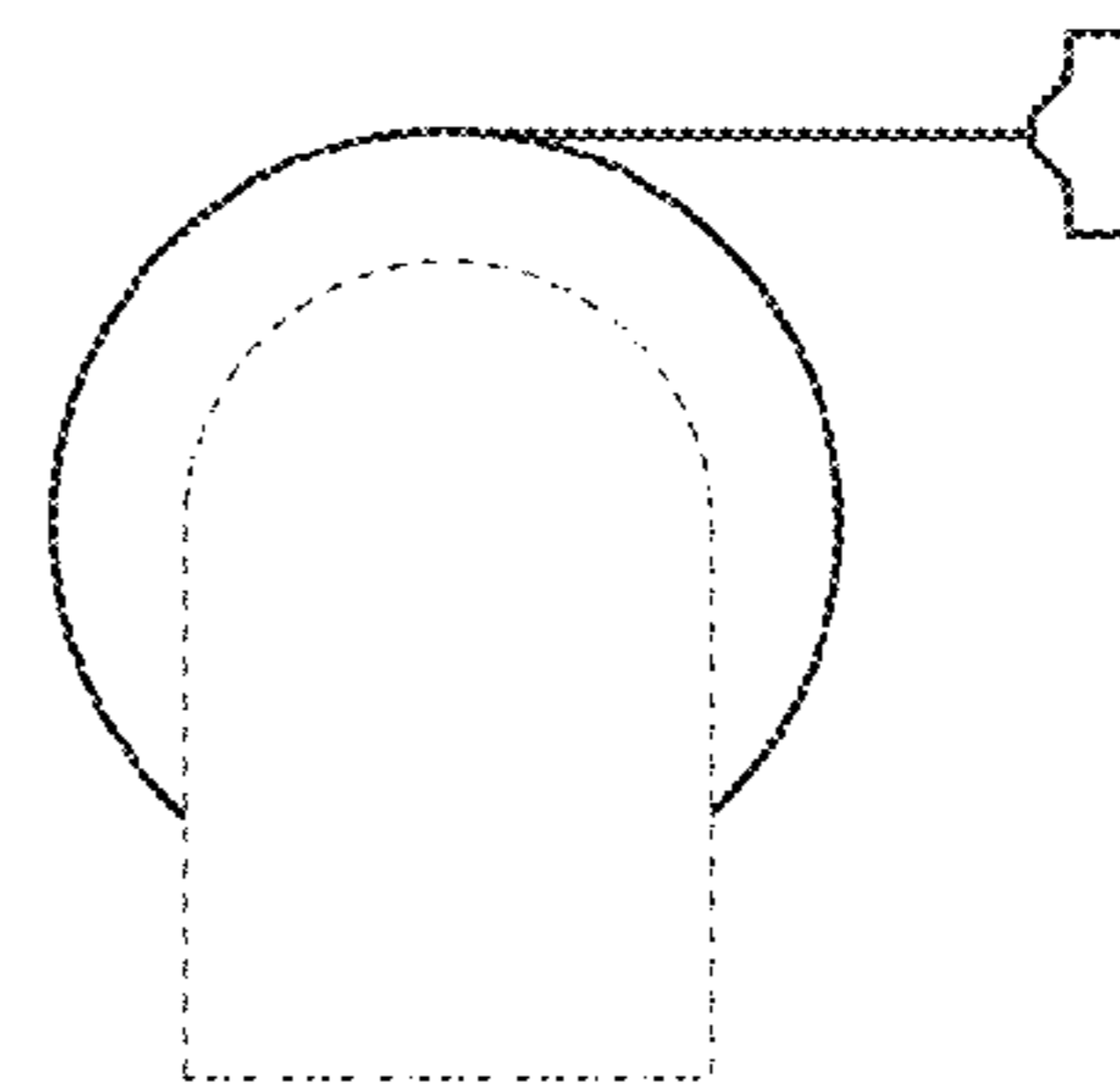


FIG. 20

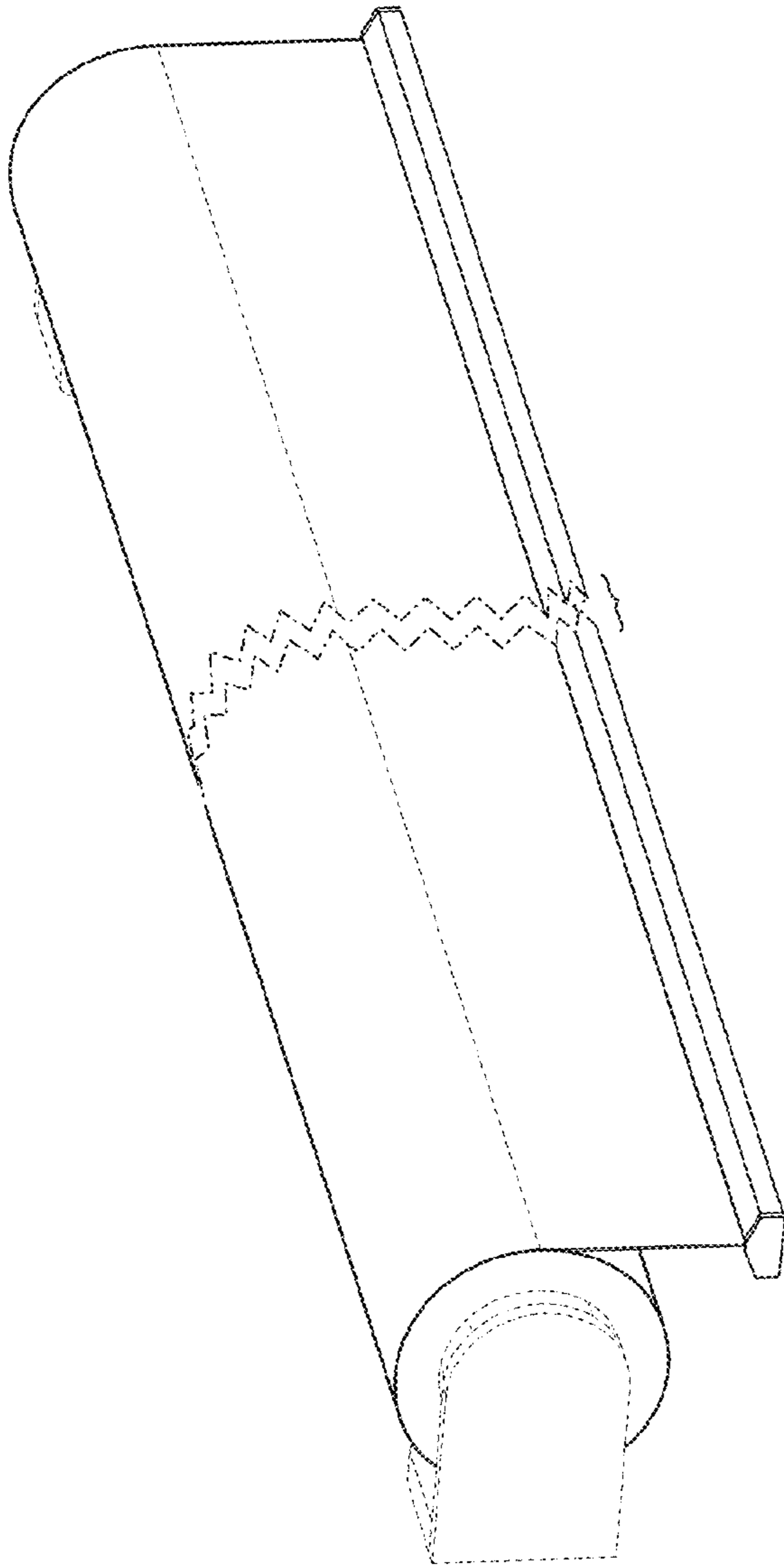


FIG. 22

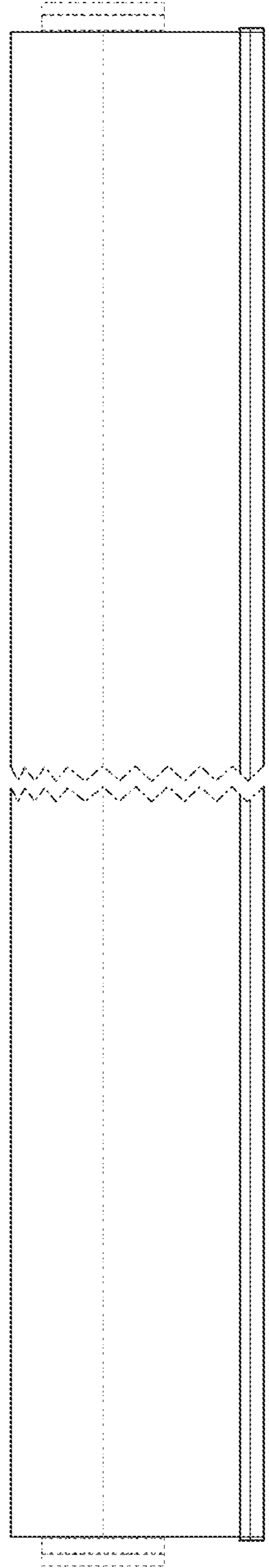


FIG. 23

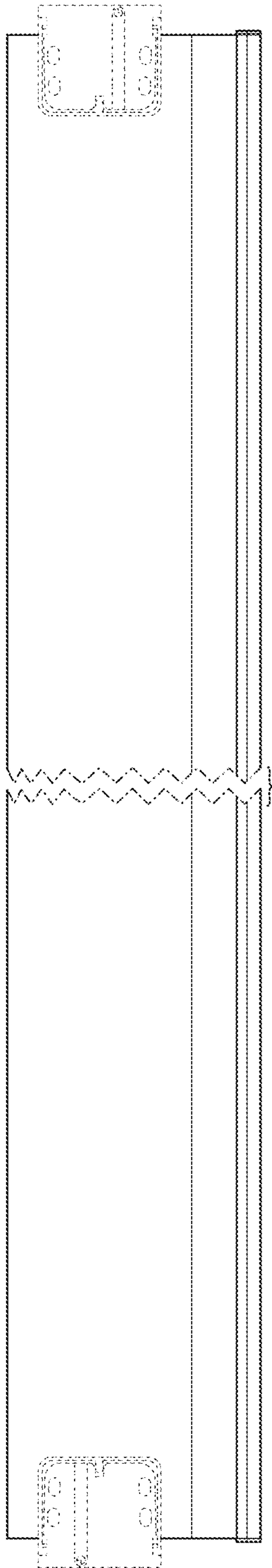


FIG. 24

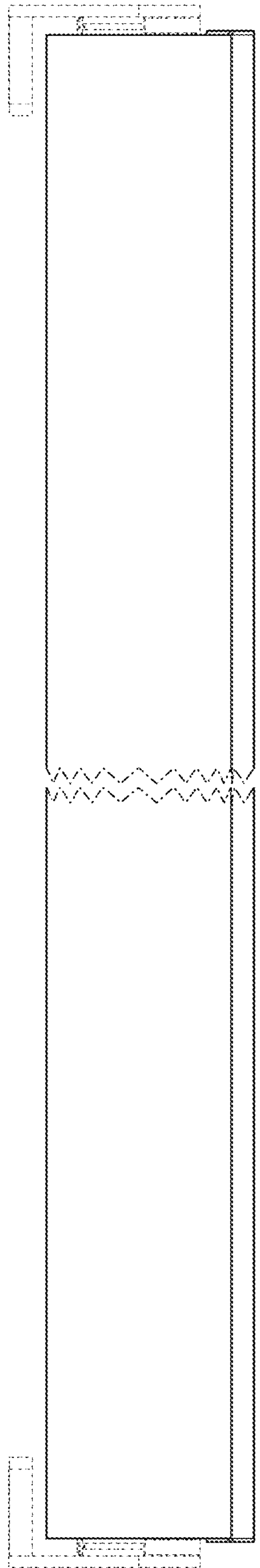


FIG. 25

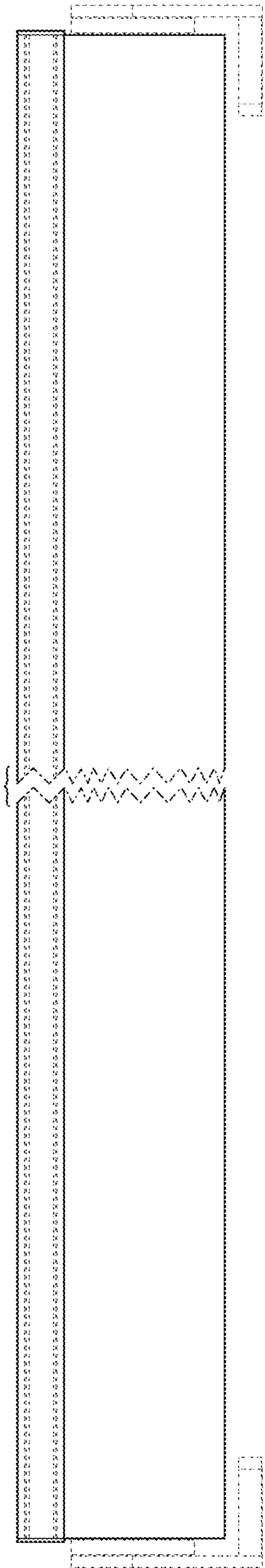


FIG. 26

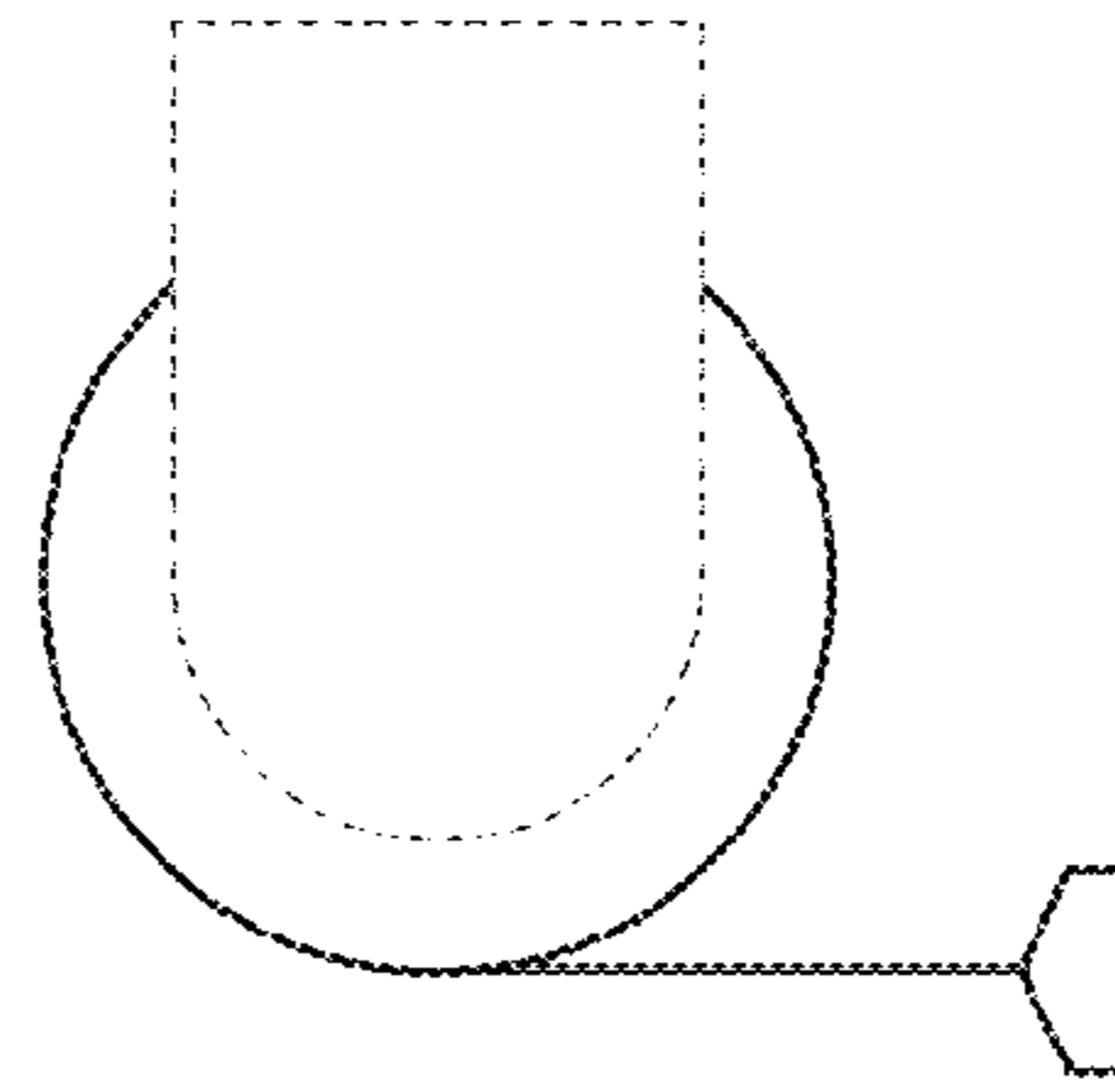


FIG. 28

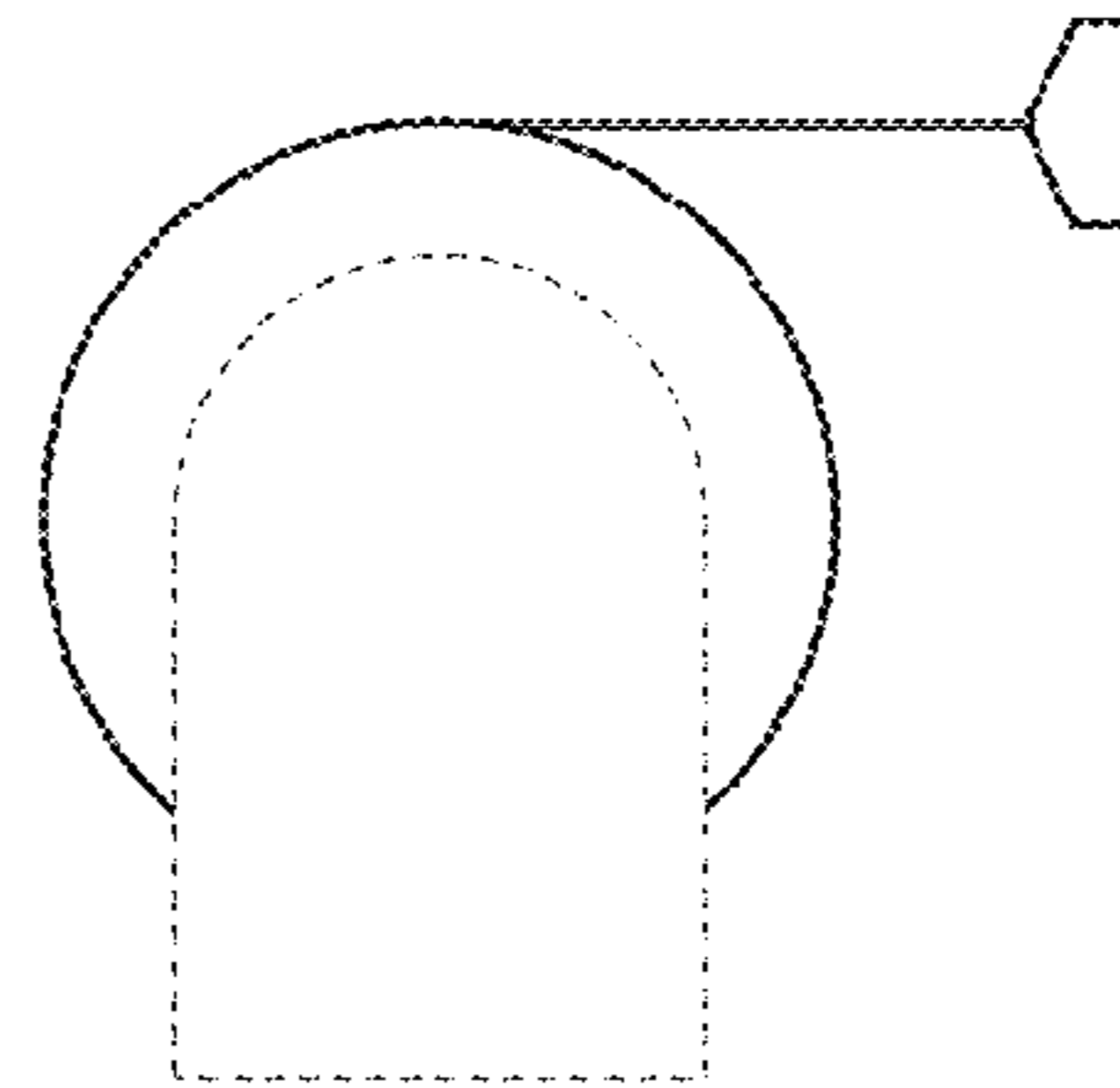


FIG. 27