



US00D909787S

(12) **United States Design Patent** (10) **Patent No.:** **US D909,787 S**  
**Pejic et al.** (45) **Date of Patent:** **\*\* \*Feb. 9, 2021**

(54) **WINDOW TREATMENT**

- (71) Applicant: **Lutron Technology Company LLC**,  
Coopersburg, PA (US)
- (72) Inventors: **Vladislav Pejic**, Allentown, PA (US);  
**Jason C. Killo**, Emmaus, PA (US)
- (73) Assignee: **Lutron Technology Company LLC**,  
Coopersburg, PA (US)
- (\*) Notice: This patent is subject to a terminal disclaimer.
- (\*\*) Term: **15 Years**
- (21) Appl. No.: **29/716,095**
- (22) Filed: **Dec. 6, 2019**

**Related U.S. Application Data**

- (63) Continuation of application No. 29/602,762, filed on  
May 3, 2017, now Pat. No. Des. 871,105.
- (51) **LOC (13) Cl.** ..... **06-10**
- (52) **U.S. Cl.**  
USPC ..... **D6/580**
- (58) **Field of Classification Search**  
USPC ..... D6/575-577, 579, 580; D13/155;  
D25/119, 121, 136  
CPC ..... A47H 1/04; A47H 15/00; A47H 23/01;  
E06B 2009/2622; E06B 2009/402; E06B  
2009/407; E06B 9/26; E06B 9/28; E06B  
(Continued)

(56) **References Cited**

**U.S. PATENT DOCUMENTS**

- 320,245 A \* 6/1885 Hamm ..... E06B 9/40  
160/238
- 414,090 A 10/1889 Taylor  
(Continued)

**OTHER PUBLICATIONS**

“Vintage Tinds: Monopoly” Constellation & Co. Jul. 19, 2011  
<<https://www.constellationco.com/blog/blog/2011/07/vintage-finds-monopoly>> Accessed on Sep. 14, 2018.  
(Continued)

*Primary Examiner* — Kevin K Rudzinski  
*Assistant Examiner* — Clare Ann Gannon  
(74) *Attorney, Agent, or Firm* — Saidman DesignLaw  
Group, LLC

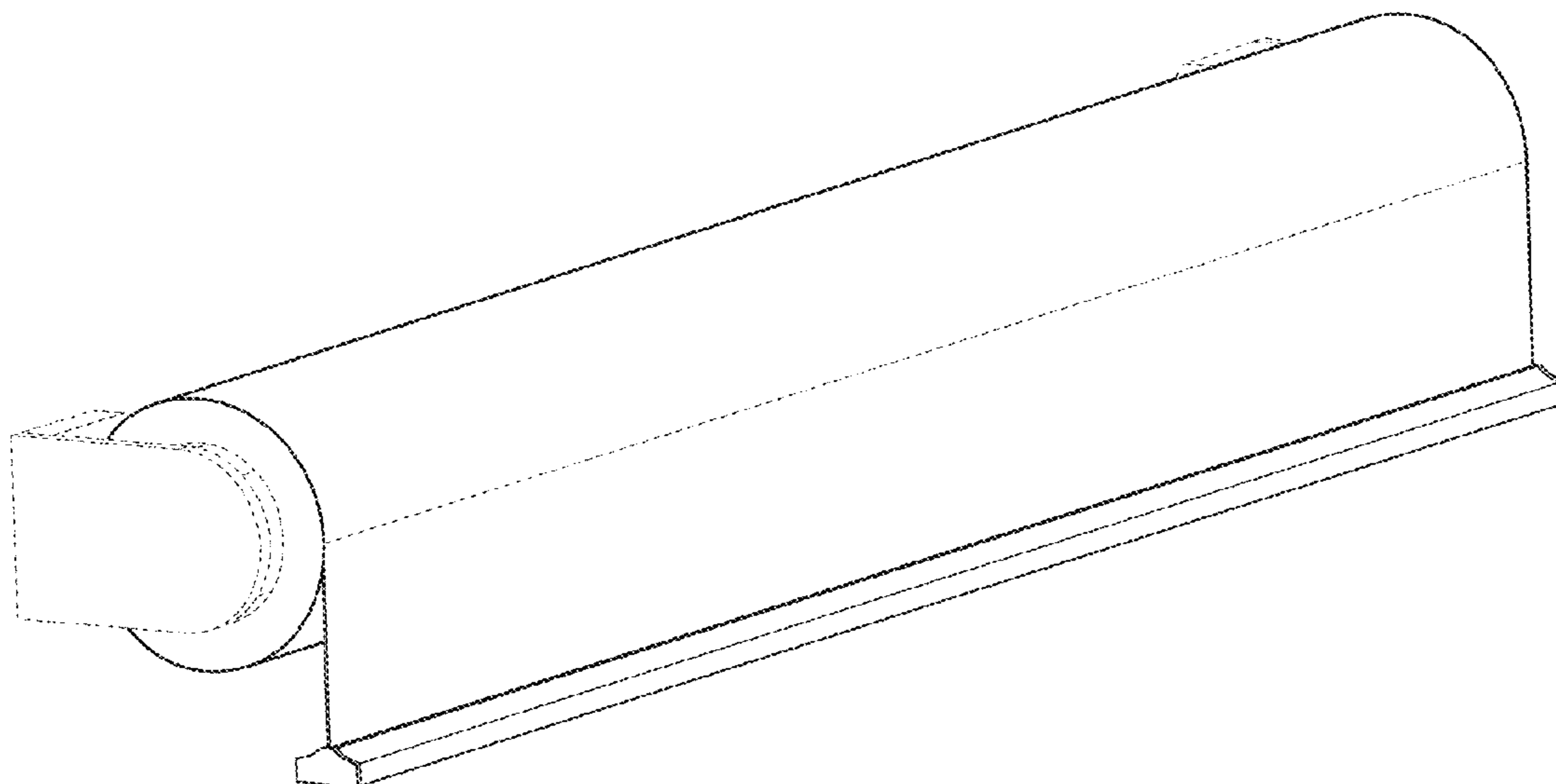
(57) **CLAIM**

The ornamental design for a window treatment, as shown  
and described.

**DESCRIPTION**

FIG. 1 is a perspective view of a window treatment showing  
our new design;  
FIG. 2 is a front view thereof;  
FIG. 3 is a rear view thereof;  
FIG. 4 is a top view thereof;  
FIG. 5 is a bottom view thereof;  
FIG. 6 is a left side view thereof;  
FIG. 7 is a right side view thereof;  
FIG. 8 is a perspective view of a second embodiment  
thereof;  
FIG. 9 is a front view thereof;  
FIG. 10 is a rear view thereof;  
FIG. 11 is a top view thereof;  
FIG. 12 is a bottom view thereof;  
FIG. 13 is a left side view thereof; and,  
FIG. 14 is a right side view thereof.  
The broken lines illustrate portions of the window treatment  
that form no part of the claimed design.  
The break lines shown in FIGS. 8-12 symbolize breaks in  
the length of the article in which the claimed design is  
embodied. The appearance of any portion of the article  
between the break lines forms no part of the claimed design.

**1 Claim, 6 Drawing Sheets**



(58) **Field of Classification Search**  
 CPC ..... 9/323; E06B 9/36; E06B 9/386; E06B  
 9/388; E06B 9/40; E06B 9/42; E06B 9/58  
 See application file for complete search history.

(56) **References Cited**

U.S. PATENT DOCUMENTS

1,757,017	A *	5/1930	Matovitz .....	A47H 23/01 160/392
1,989,240	A *	1/1935	Magill .....	E06B 9/386 160/173 R
2,560,836	A	7/1951	Zachlin	
3,524,491	A *	8/1970	Olson .....	A47H 23/01 160/393
3,545,154	A	12/1970	Bobzin et al.	
3,754,994	A	8/1973	Roach	
5,052,337	A	10/1991	Talcott et al.	
D344,809	S	3/1994	Bancroft	
5,320,154	A	6/1994	Colson et al.	
5,410,454	A	4/1995	Murase et al.	
D371,928	S *	7/1996	Evjy .....	D6/575
D388,182	S	12/1997	Payton et al.	
D467,670	S	12/2002	Krieger	
6,951,401	B2	10/2005	Van Hees et al.	
7,174,940	B2	2/2007	Nien	
7,510,111	B2	3/2009	Mikkelsen et al.	
7,900,680	B2	3/2011	Garmyn et al.	

D656,808	S	4/2012	Arvinte et al.	
D697,335	S	1/2014	Dekker et al.	
D706,112	S	6/2014	Kondratuk	
8,857,494	B2	10/2014	Kirby et al.	
8,931,540	B2	1/2015	Filko	
D746,669	S	1/2016	McBride	
D756,592	S	5/2016	Bucks et al.	
D871,105	S *	12/2019	Pejic .....	A47H 23/01 D6/580
D871,795	S *	1/2020	Pejic .....	E06B 9/40 D6/580
2004/0182521	A1	9/2004	Rossato et al.	
2007/0163730	A1 *	7/2007	Liang .....	E06B 9/382 160/178.3
2011/0049071	A1	3/2011	Hart et al.	
2012/0048262	A1	3/2012	Chang	
2015/0047792	A1	2/2015	Lukosiunas et al.	
2017/0009524	A1	1/2017	Dwarka	
2018/0112460	A1 *	4/2018	Huang .....	E06B 9/382
2018/0313146	A1 *	11/2018	Blair .....	A47H 23/01

OTHER PUBLICATIONS

Bethlehem Steel Company Carbon Steel Bar Representative Sections Photographs. p. 13, row 16. Year: 1937.  
 U.S. Appl. No. 29/602,225, filed Apr. 28, 2017 (unpublished).

\* cited by examiner

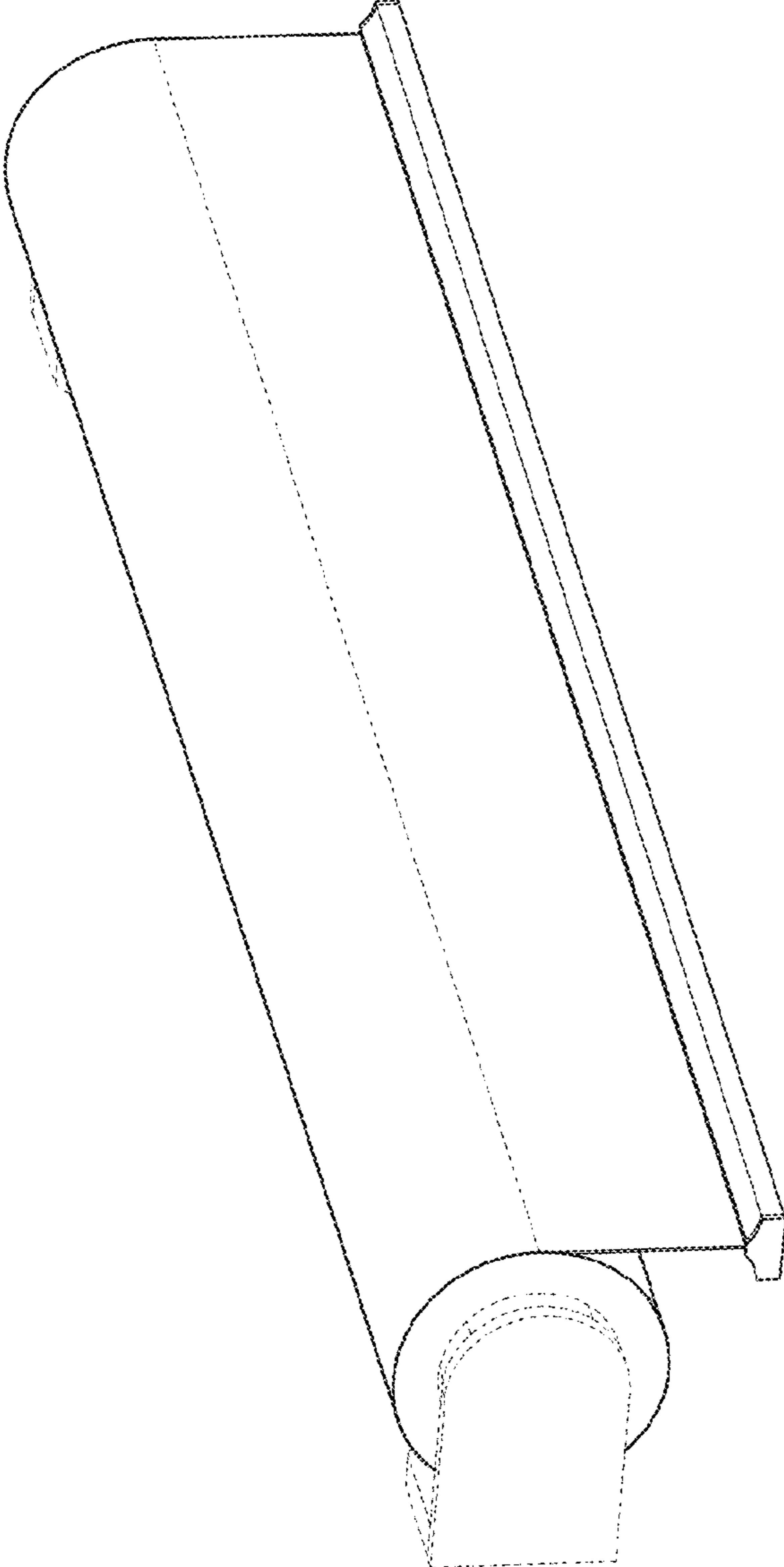


FIG. 1

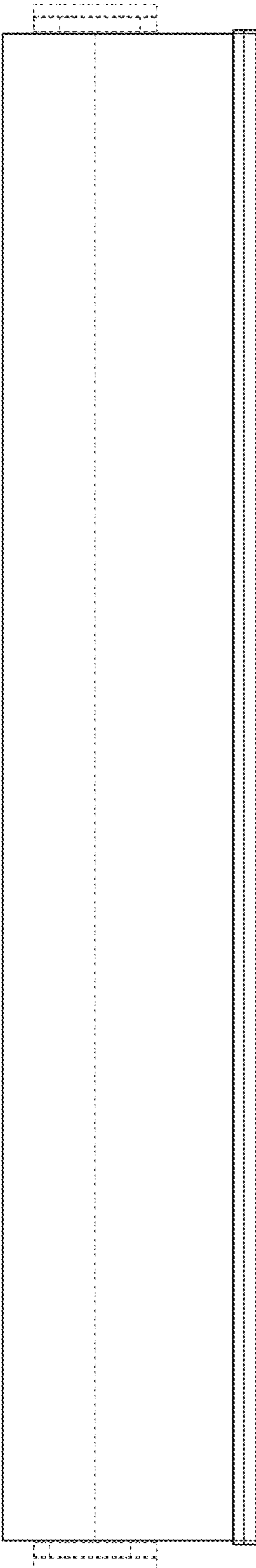


FIG. 2

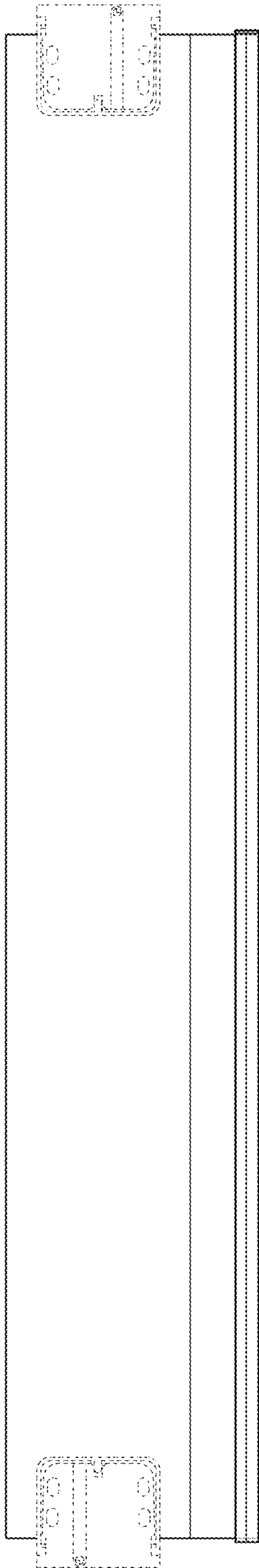


FIG. 3

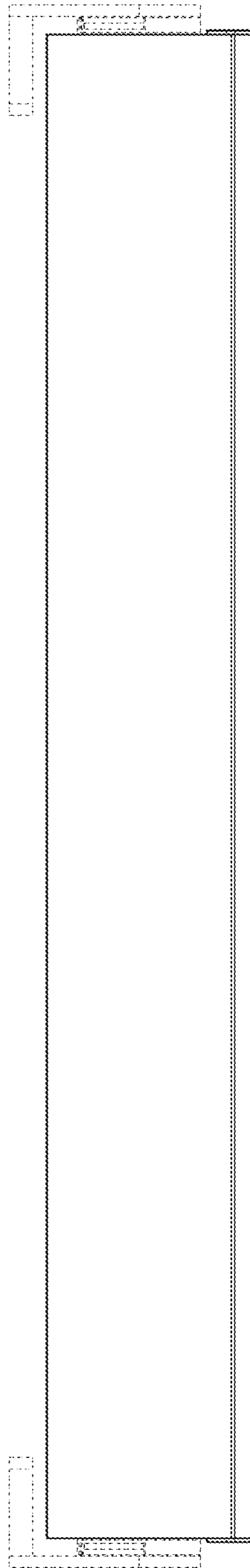


FIG. 4

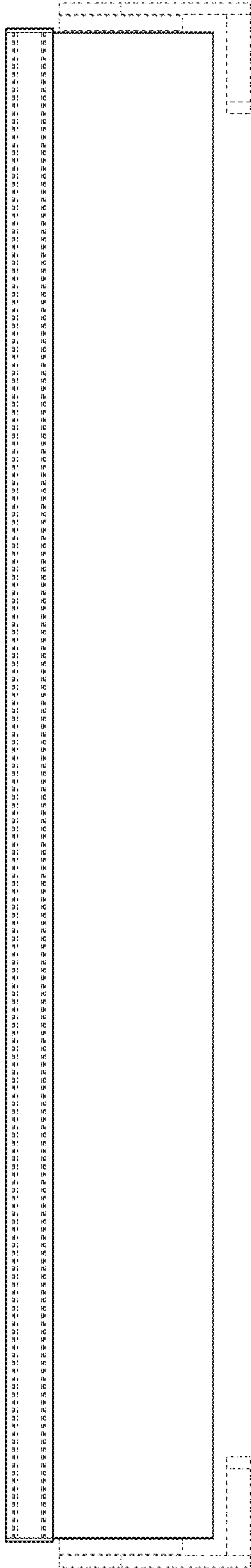


FIG. 5

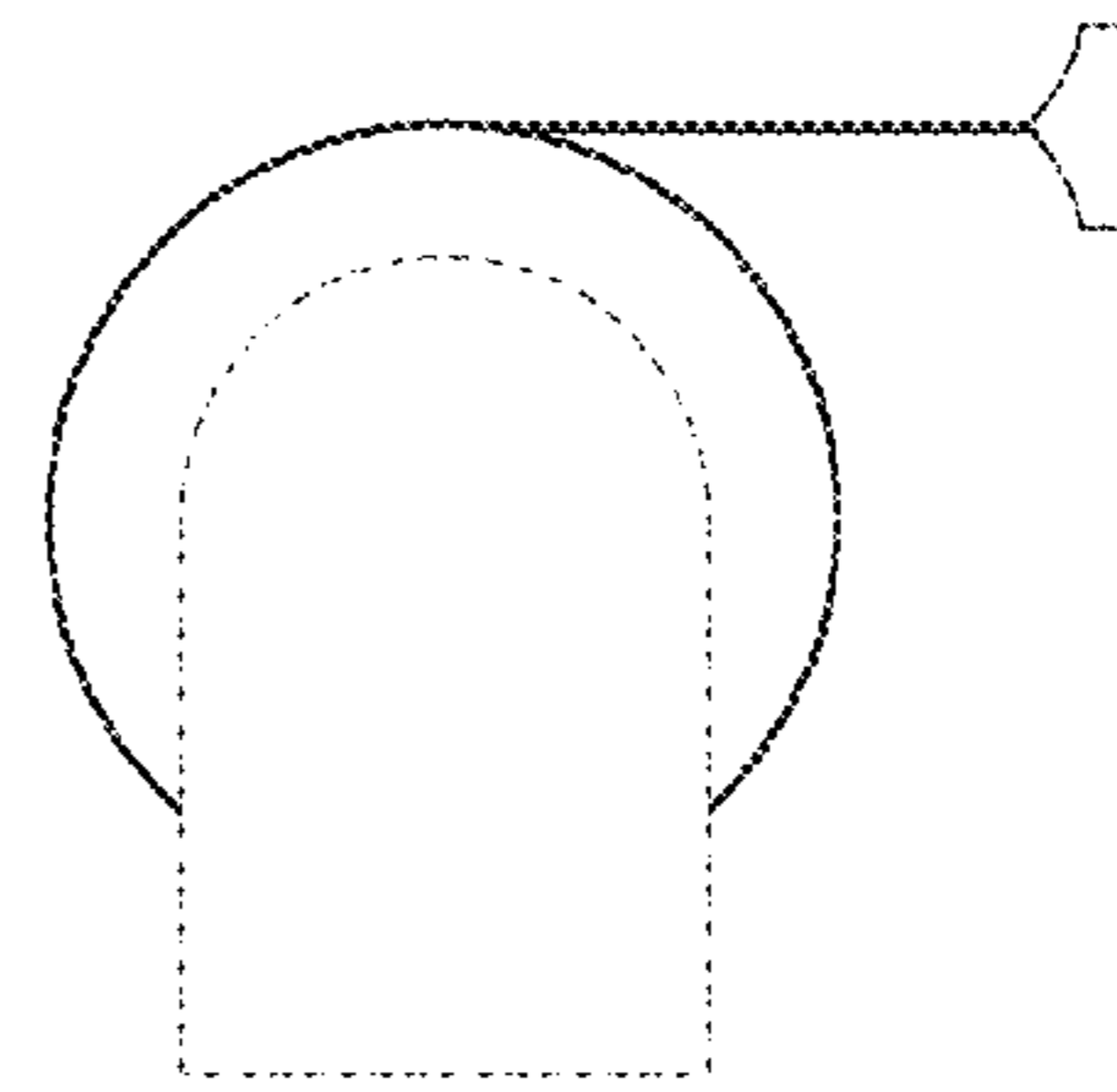


FIG. 6

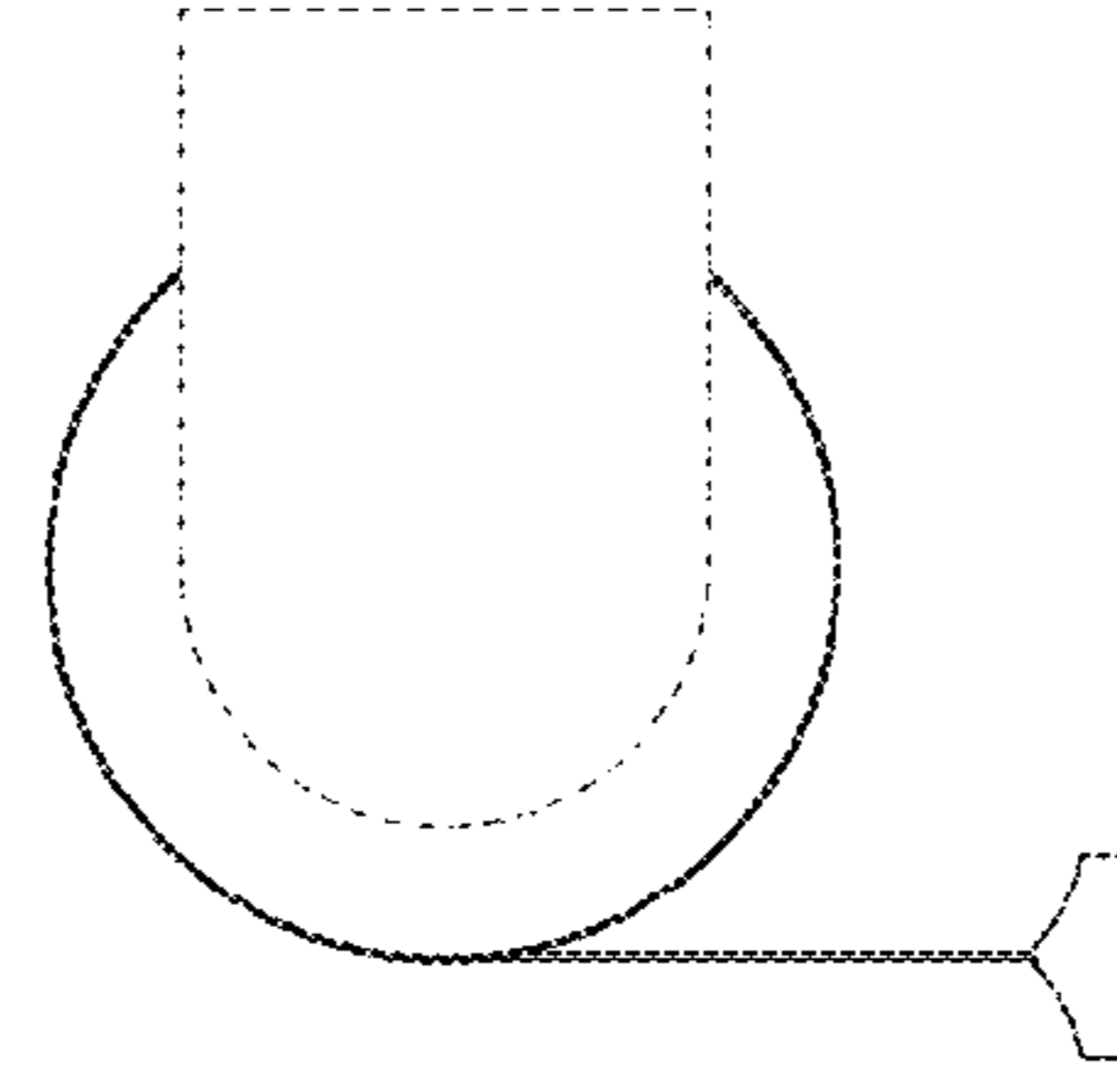


FIG. 7



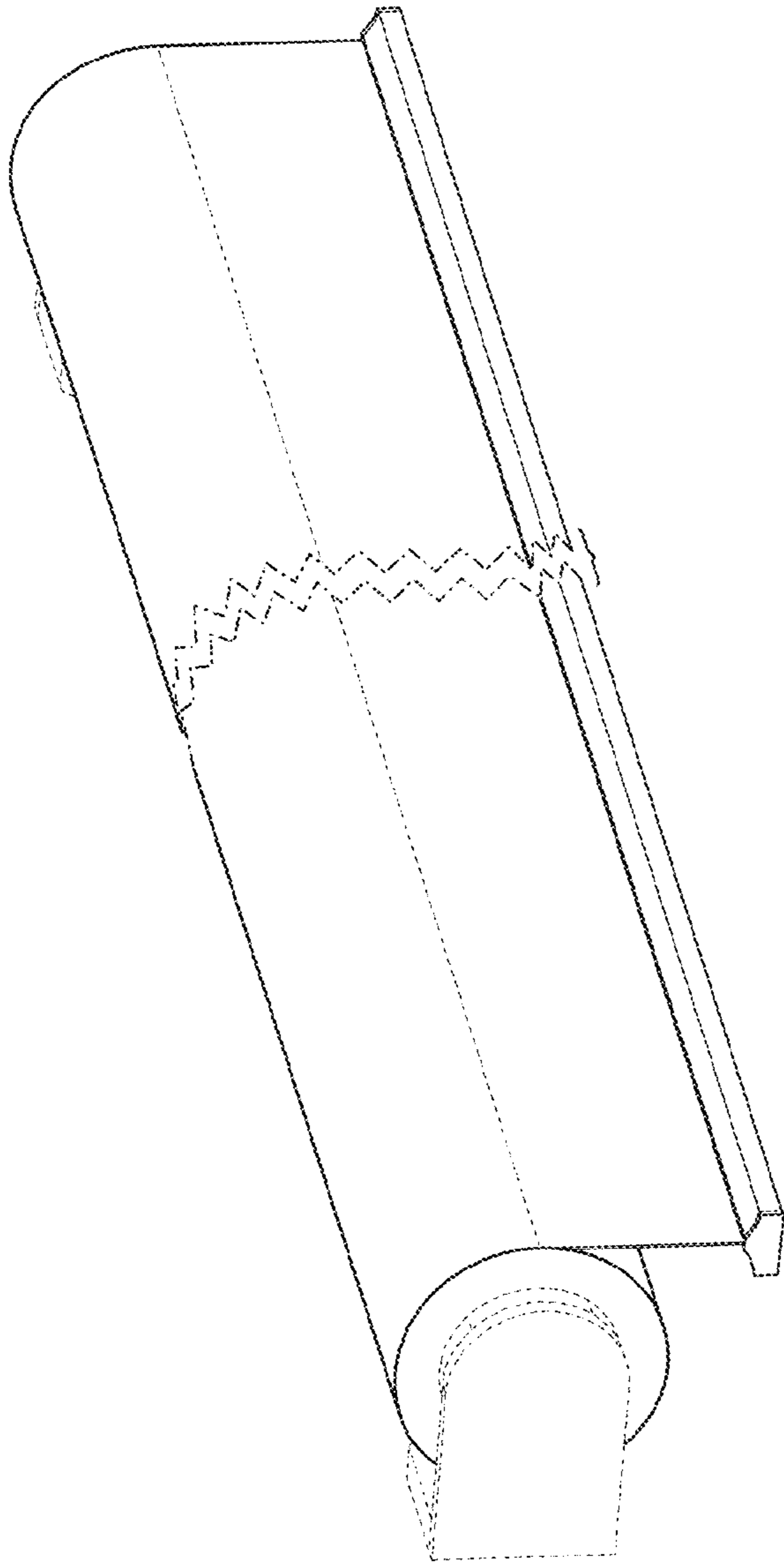


FIG. 8

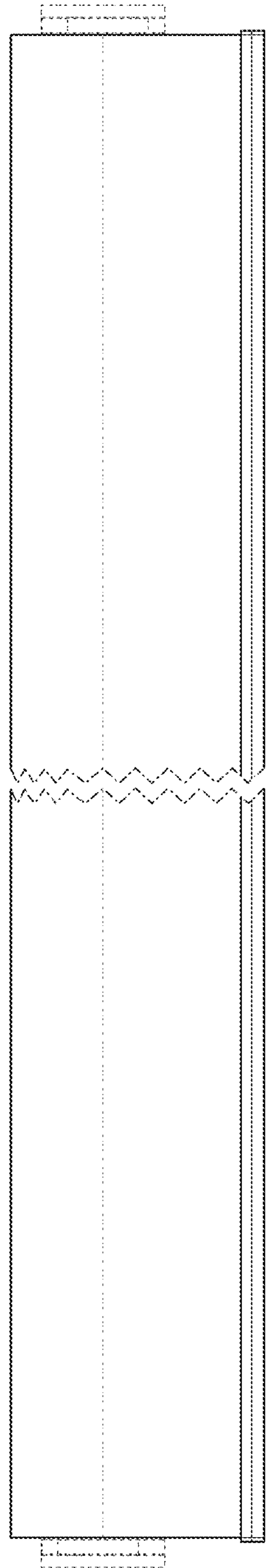


FIG. 9

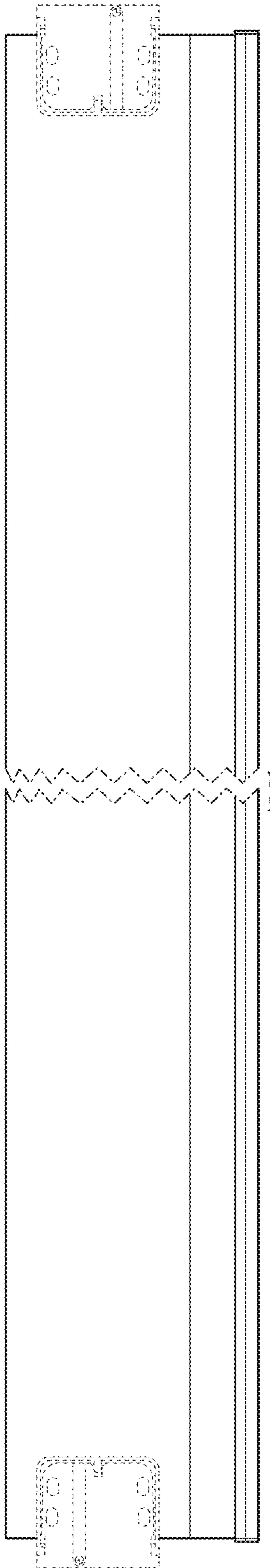


FIG. 10

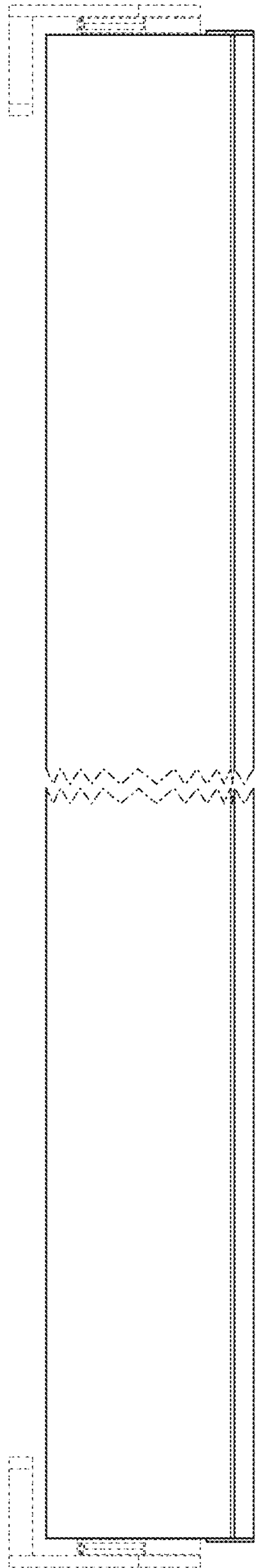


FIG. 11

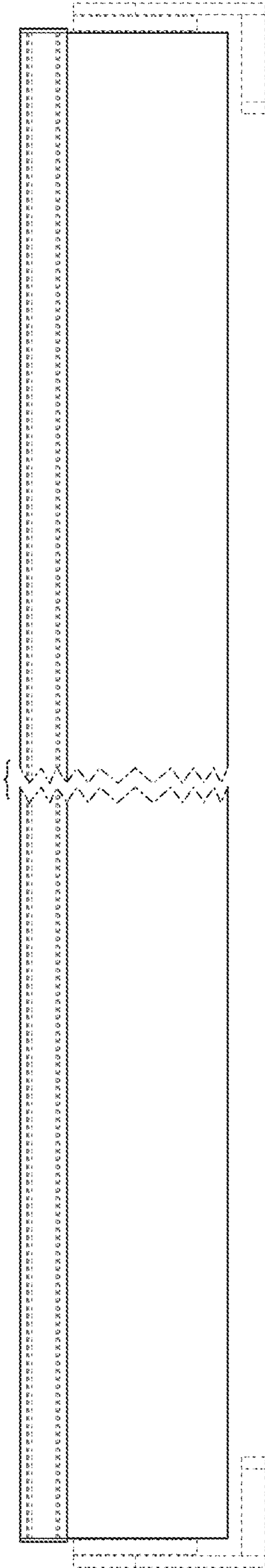


FIG. 12

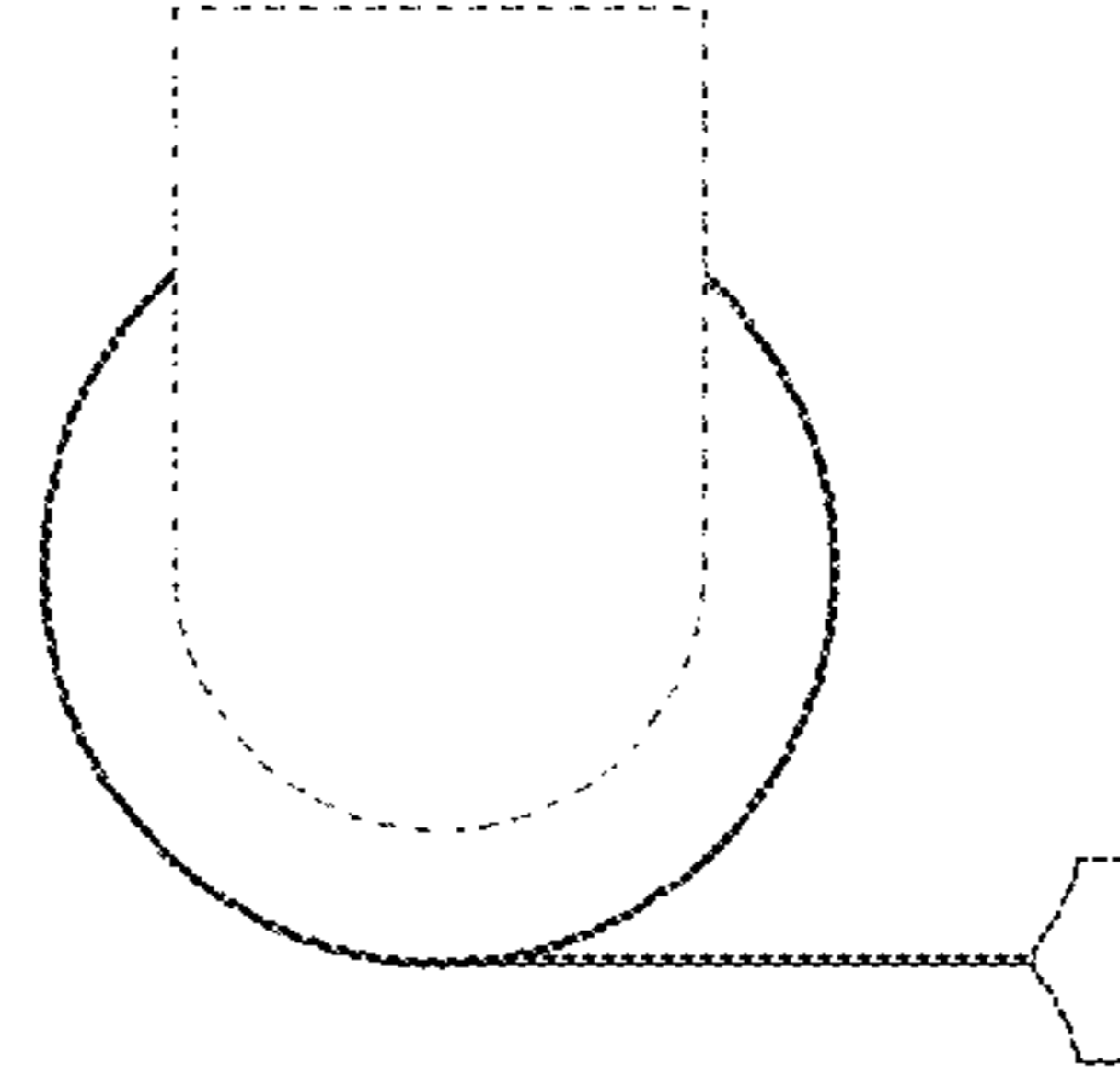


FIG. 14

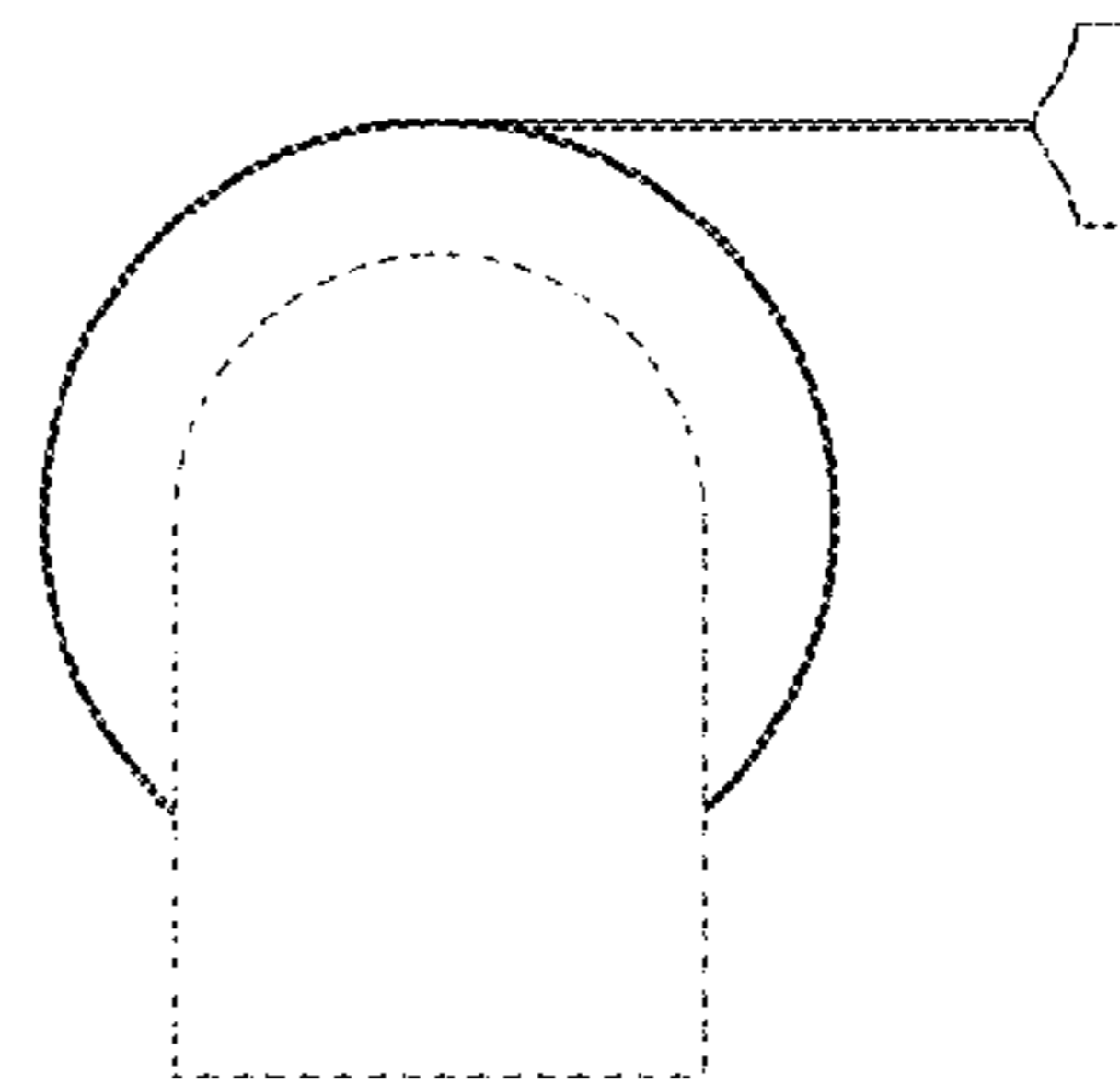


FIG. 13