



US00D909785S

(12) **United States Design Patent**  
**Tygesen**

(10) **Patent No.:** **US D909,785 S**

(45) **Date of Patent:** **\*\* Feb. 9, 2021**

(54) **ADULT CHANGING TABLE**

(71) Applicant: **Pressalit A/S, Ry (DK)**

(72) Inventor: **Anne Mette Thy Tygesen, Aarhus C (DK)**

(\*\*) Term: **15 Years**

(21) Appl. No.: **35/507,486**

(22) Filed: **Nov. 11, 2018**

(80) **Hague Agreement Data**

Int. Filing Date: **Nov. 11, 2018**

Int. Reg. No.: **DM/203059**

Int. Reg. Date: **Nov. 11, 2018**

Int. Reg. Pub. Date: **Oct. 4, 2019**

(51) **LOC (13) Cl.** ..... **06-02**

(52) **U.S. Cl.**

USPC ..... **D6/391**

(58) **Field of Classification Search**

USPC ..... D6/384, 390-392, 555, 685, 686, 691,  
D6/691.1-691.9; D24/183, 184

CPC .... A47B 5/00; A47B 7/00; A47B 9/00; A47B  
13/00; A47B 13/02; A47B 13/04; A47B  
13/06; A47B 13/08; A47B 13/12; A47B  
21/00; A47B 2200/0001; A47B  
2200/0011; A47B 2200/002; A47D 5/00;  
A47D 5/003; A47D 5/006; A61G 5/10;  
A61G 7/015; A61G 7/018; A61G 7/05;  
A61G 7/0507

See application file for complete search history.

(56) **References Cited**

**U.S. PATENT DOCUMENTS**

- D292,352 S \* 10/1987 Hampshire ..... A47D 5/003  
D6/513
- D329,950 S \* 10/1992 Takahashi ..... A47D 9/00  
5/947
- D412,634 S \* 8/1999 Helmsderfer ..... A47D 5/003  
D6/555

- 6,938,289 B2 \* 9/2005 Morin ..... A61G 5/10  
5/425
- D620,724 S \* 8/2010 Presnell ..... A61G 7/015  
D6/391
- 8,079,104 B2 \* 12/2011 Presnell ..... A47D 5/006  
5/655
- 9,119,753 B2 \* 9/2015 Poulos ..... A61G 7/015
- 9,648,961 B1 \* 5/2017 Lovely ..... A47D 9/00
- 2007/0157380 A1 \* 7/2007 Helmsderfer ..... A47D 5/003  
5/136
- 2015/0282637 A1 \* 10/2015 Herdman ..... A47D 5/003  
5/655

**OTHER PUBLICATIONS**

Adult Changing Table—Barrier Free Access <https://www.barrierfreeaccess.com/adultchangingtable/> retrieved from the internet on Jul. 7, 2020.\*

Changing table, 40.2"x72", electrically foldable—Pressalit <https://pressalit.com/en-us/shower-and-changing-tables/shower-and-changing-tables/changing-table-402-x-72-electrically-foldable/p>—retrieved from the internet on Jul. 7, 2020.\*

Pressalit Care 1000 Adult Changing Table—MAX-Ability <https://max-ability.com/product/pc-1000-adult-changing-table/?c=aacf2d960ac3> retrieved from the internet on Jul. 7, 2020.\*

\* cited by examiner

*Primary Examiner* — Mary Ann Calabrese

(57) **CLAIM**

The ornamental design for an adult changing table, as shown and described.

**DESCRIPTION**

1. Adult changing table

1.1 : Perspective

1.2 : Bottom

1.3 : Top

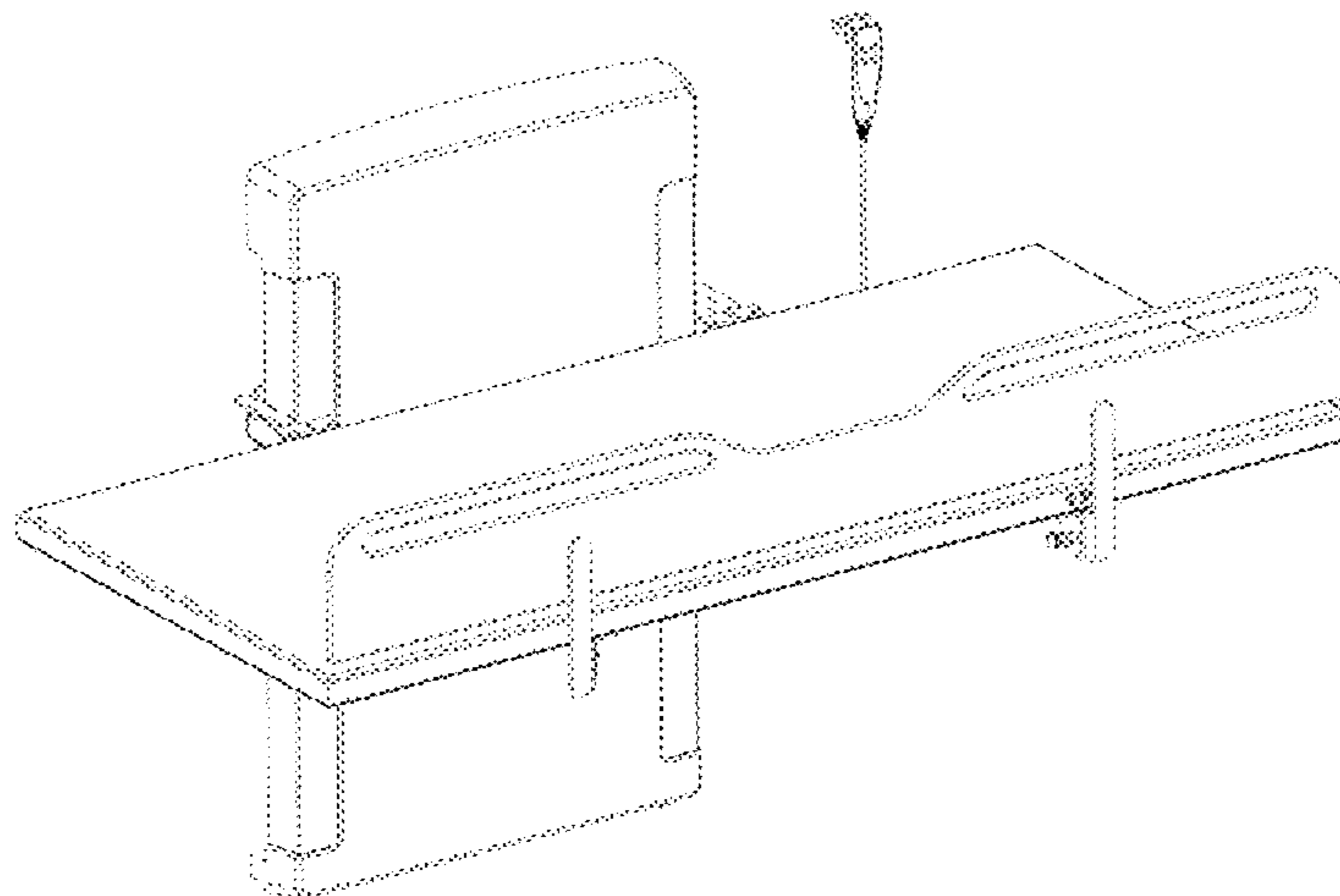
1.4 : Front

1.5 : Right

1.6 : Left

The adult changing table is mounted on a wall.

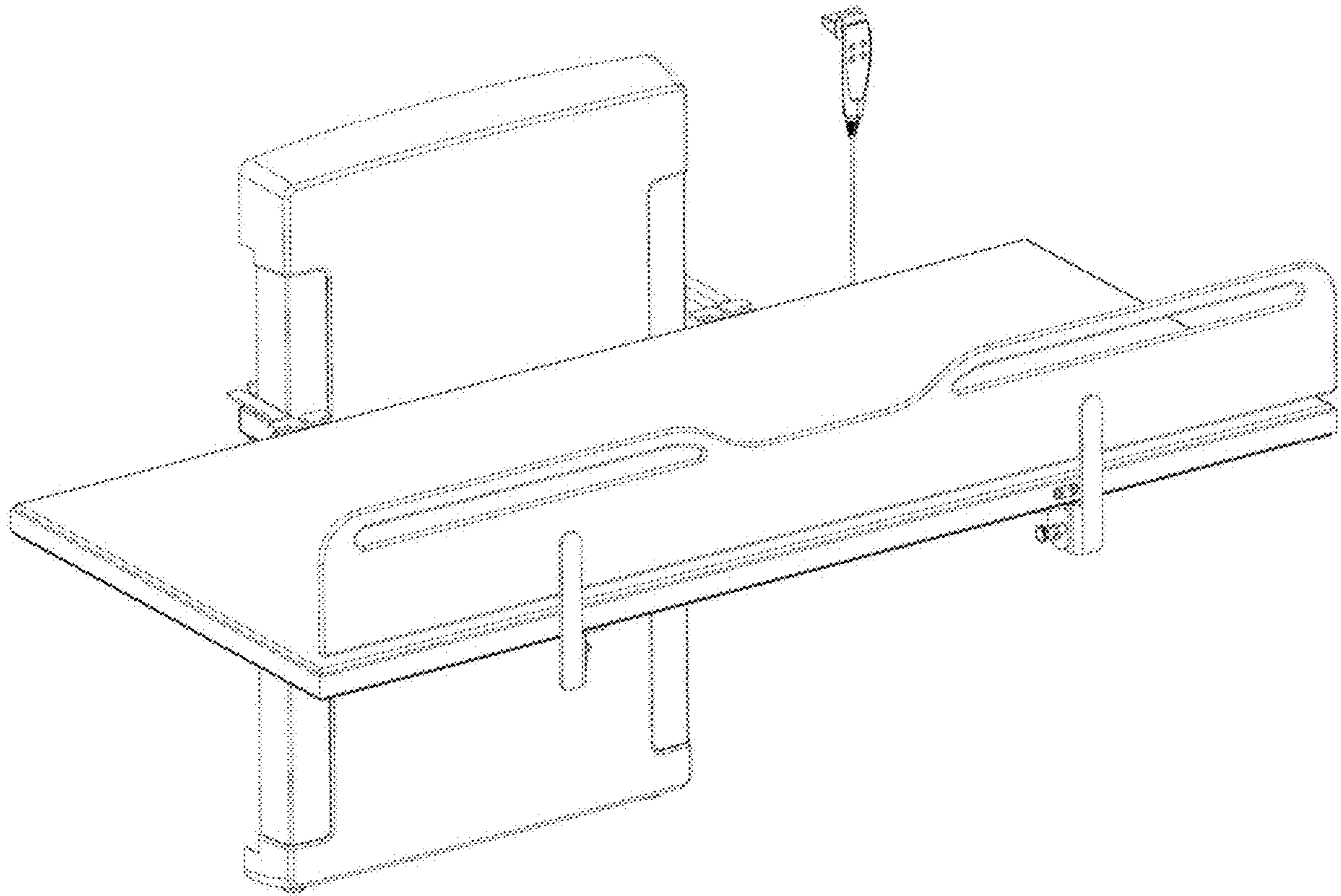
(Continued)



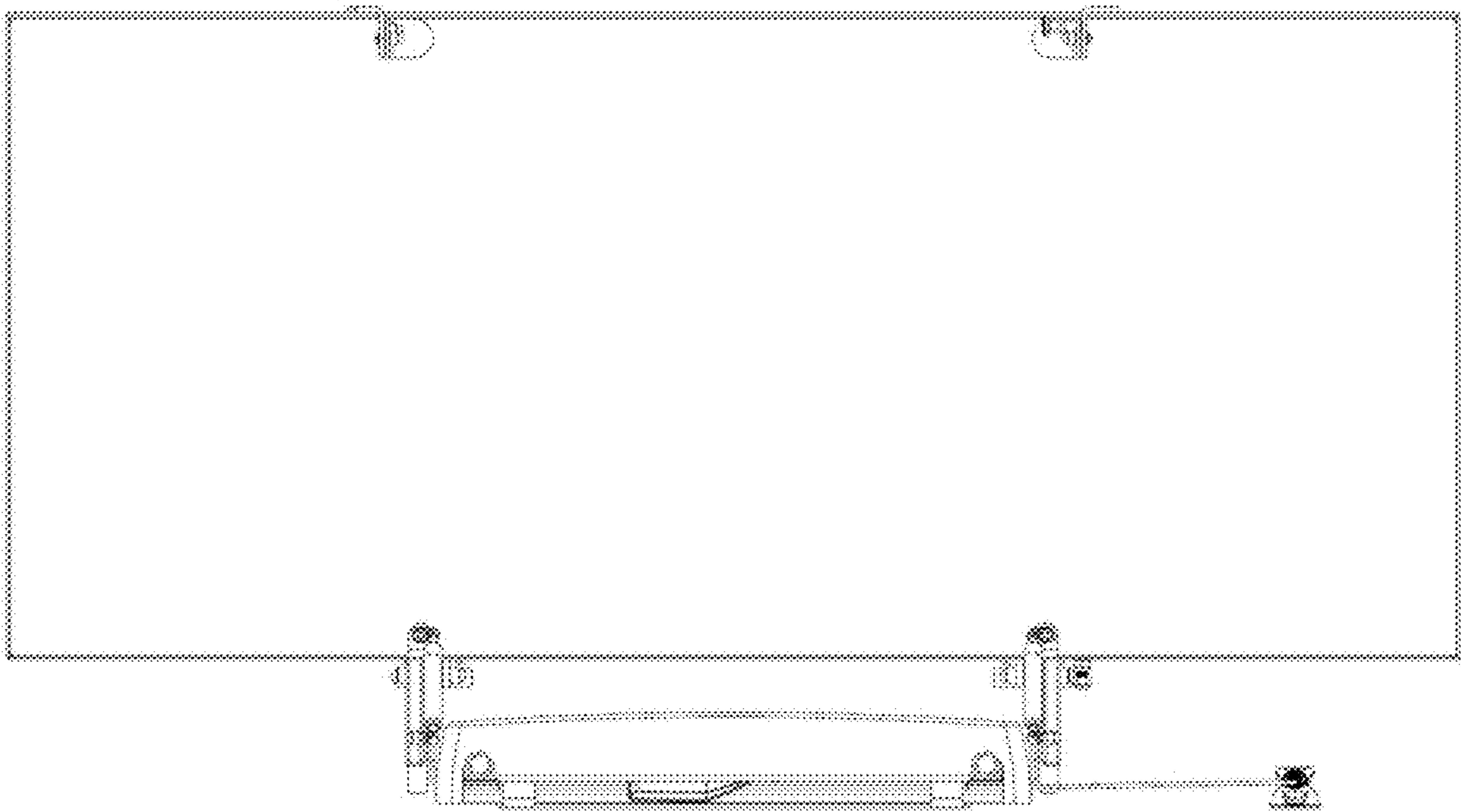
The broken line shown in the bottom view **1.2** is for the purpose of illustrating portions of the adult changing table that forms no part of the claimed design.

**1 Claim, 6 Drawing Sheets**

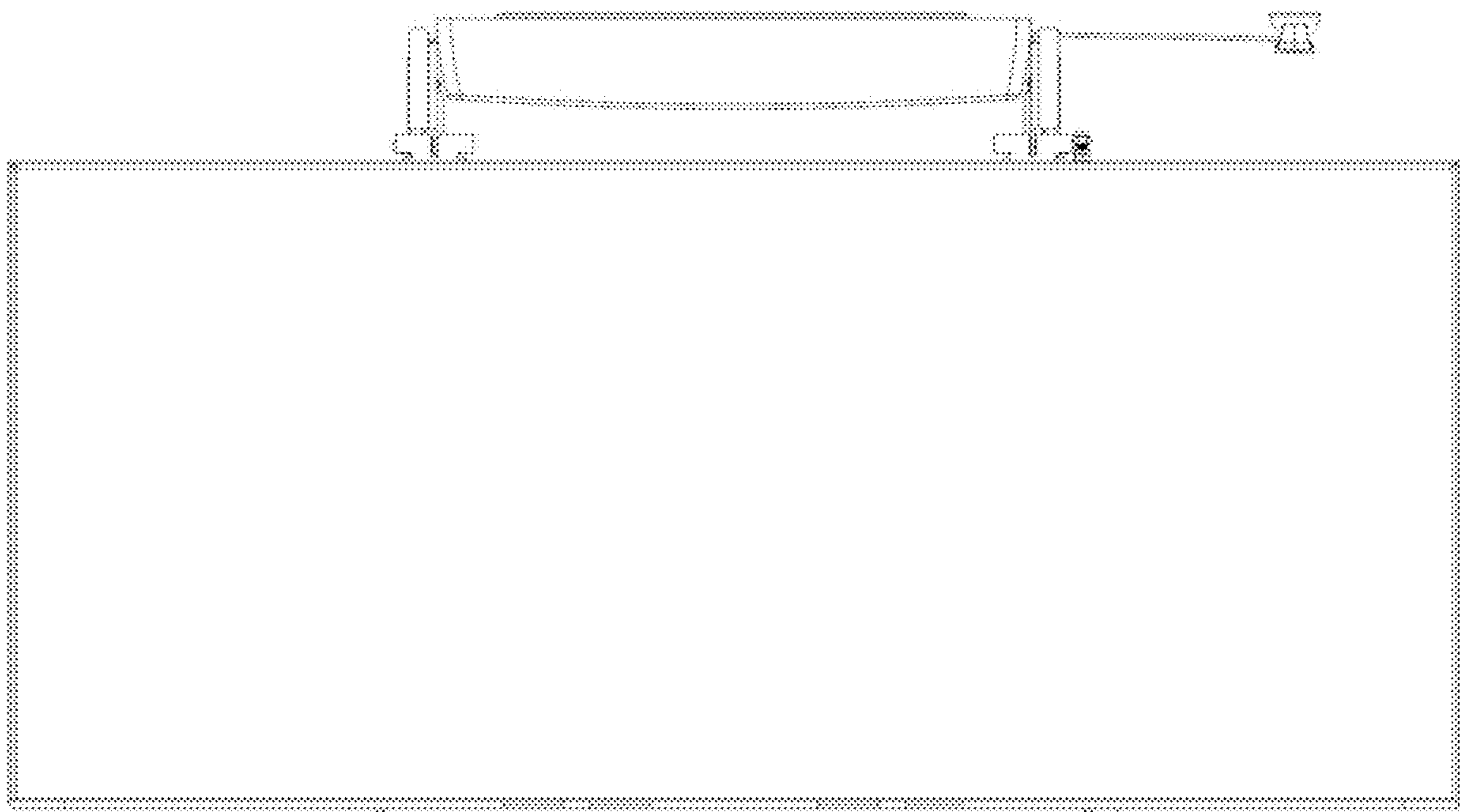
1.1



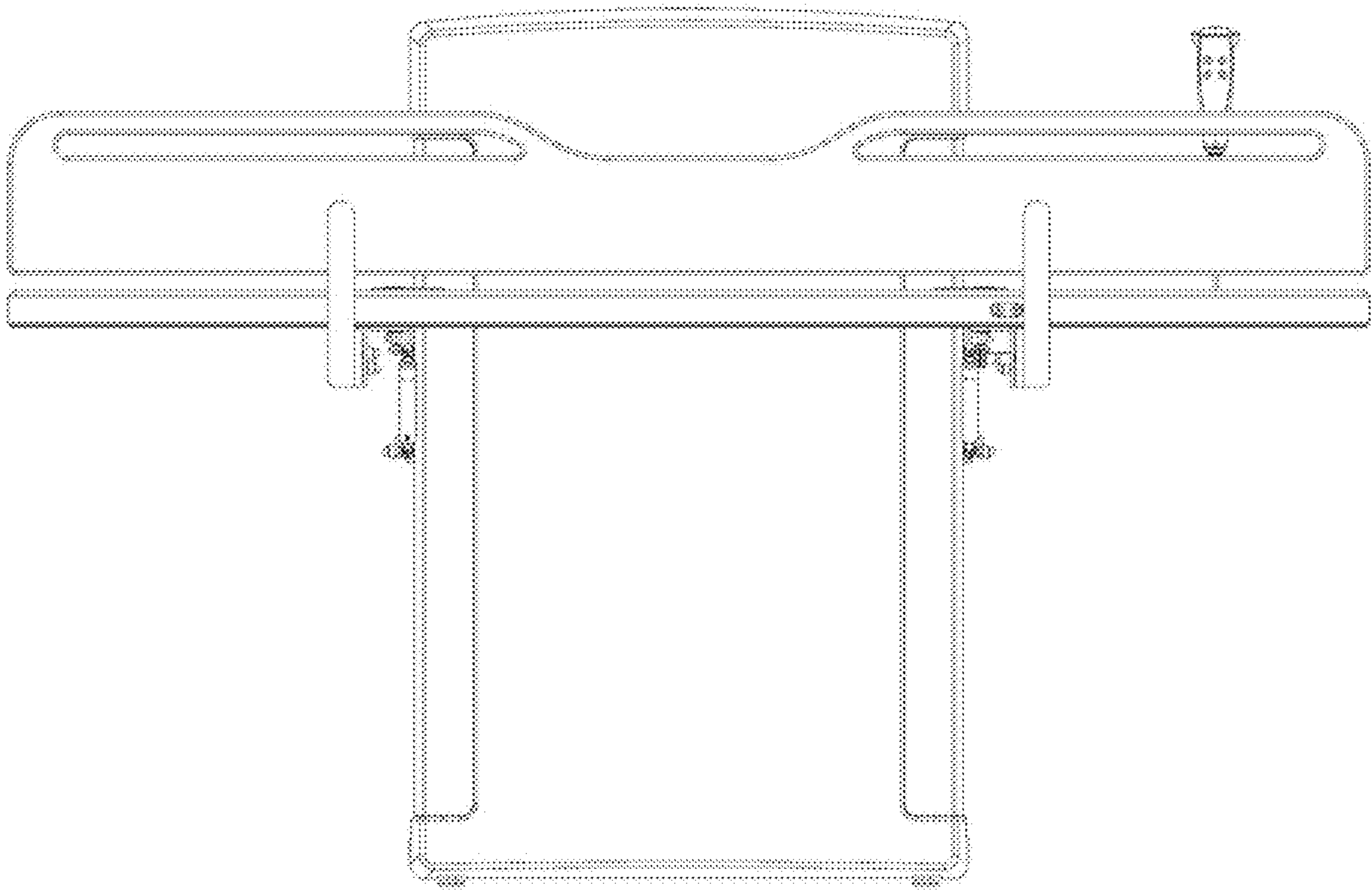
1.2



1.3

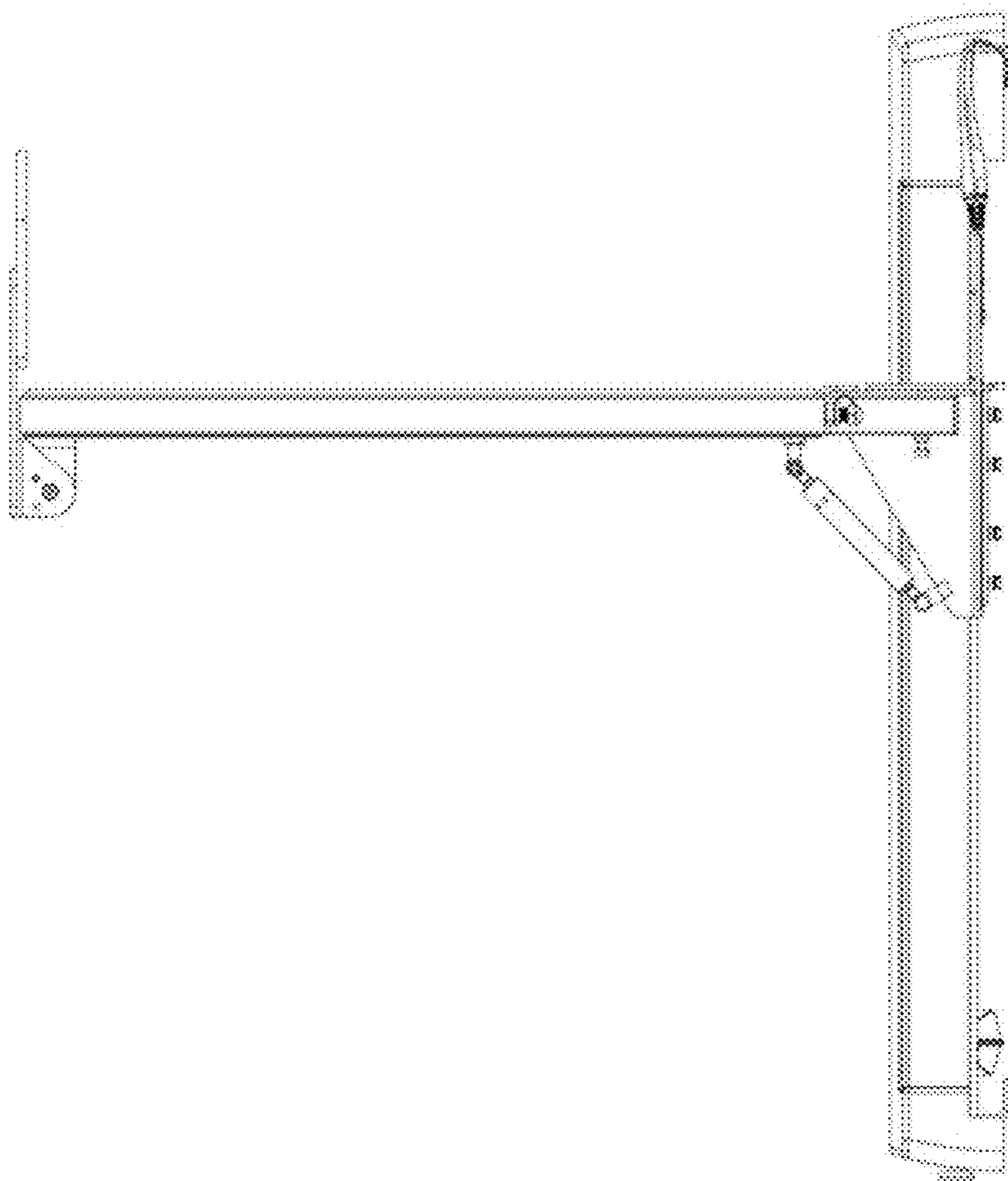


1.4





1.5



1.6

