



US00D909784S

(12) **United States Design Patent** (10) **Patent No.:** **US D909,784 S**
Steinmeijer (45) **Date of Patent:** **** Feb. 9, 2021**

(54) **CHAIR**
(71) Applicant: **Hartman Enterprises B.V.**, Enschede (NL)
(72) Inventor: **G. J. C. Steinmeijer**, Enschede (NL)
(73) Assignee: **Hartman Enterprises B.V.**, Enschede (NL)

D820,625 S * 6/2018 Steinmeijer D6/716
D824,689 S * 8/2018 Jongerius D6/375
D825,216 S * 8/2018 Schaeffer D6/375
D836,360 S * 12/2018 Novak D6/375
D843,750 S * 3/2019 Ciabatti D6/375
D844,341 S * 4/2019 Tran D6/375
D844,357 S * 4/2019 Buffon D6/716
D845,021 S * 4/2019 Bray D6/375
D845,658 S * 4/2019 Tham D6/369
D845,660 S * 4/2019 Bray D6/375

(**) Term: **15 Years**

* cited by examiner

(21) Appl. No.: **35/507,893**

Primary Examiner — Bao-Yen T Nguyen

(22) Filed: **Jul. 22, 2019**

(74) *Attorney, Agent, or Firm* — Woodard, Emhardt, Henry, Reeves & Wagner, LLP

(80) **Hague Agreement Data**

Int. Filing Date: **Jul. 22, 2019**
Int. Reg. No.: **DM/204311**
Int. Reg. Date: **Jul. 22, 2019**
Int. Reg. Pub. Date: **Nov. 29, 2019**

(57) **CLAIM**

I claim the ornamental design for a chair, as shown and described.

(30) **Foreign Application Priority Data**

Jan. 22, 2019 (EM) EM006080990-0001

(51) **LOC (13) Cl.** **06-01**

DESCRIPTION

(52) **U.S. Cl.**
USPC **D6/375**

(58) **Field of Classification Search**
USPC D6/334-336, 358, 374, 375, 376, 379, D6/380, 716, 716.1, 716.2, 716.3, 716.4
CPC A47C 3/04; A47C 4/02; A47C 4/03; A47C 3/12; A47C 5/04; A47C 5/06; A47C 7/16; A47D 11/00

- 1. Chair
- 1.1 : Perspective
- 1.2 : Top
- 1.3 : Front
- 1.4 : Left
- 1.5 : Back
- 1.6 : Right
- 1.7 : Bottom

See application file for complete search history.

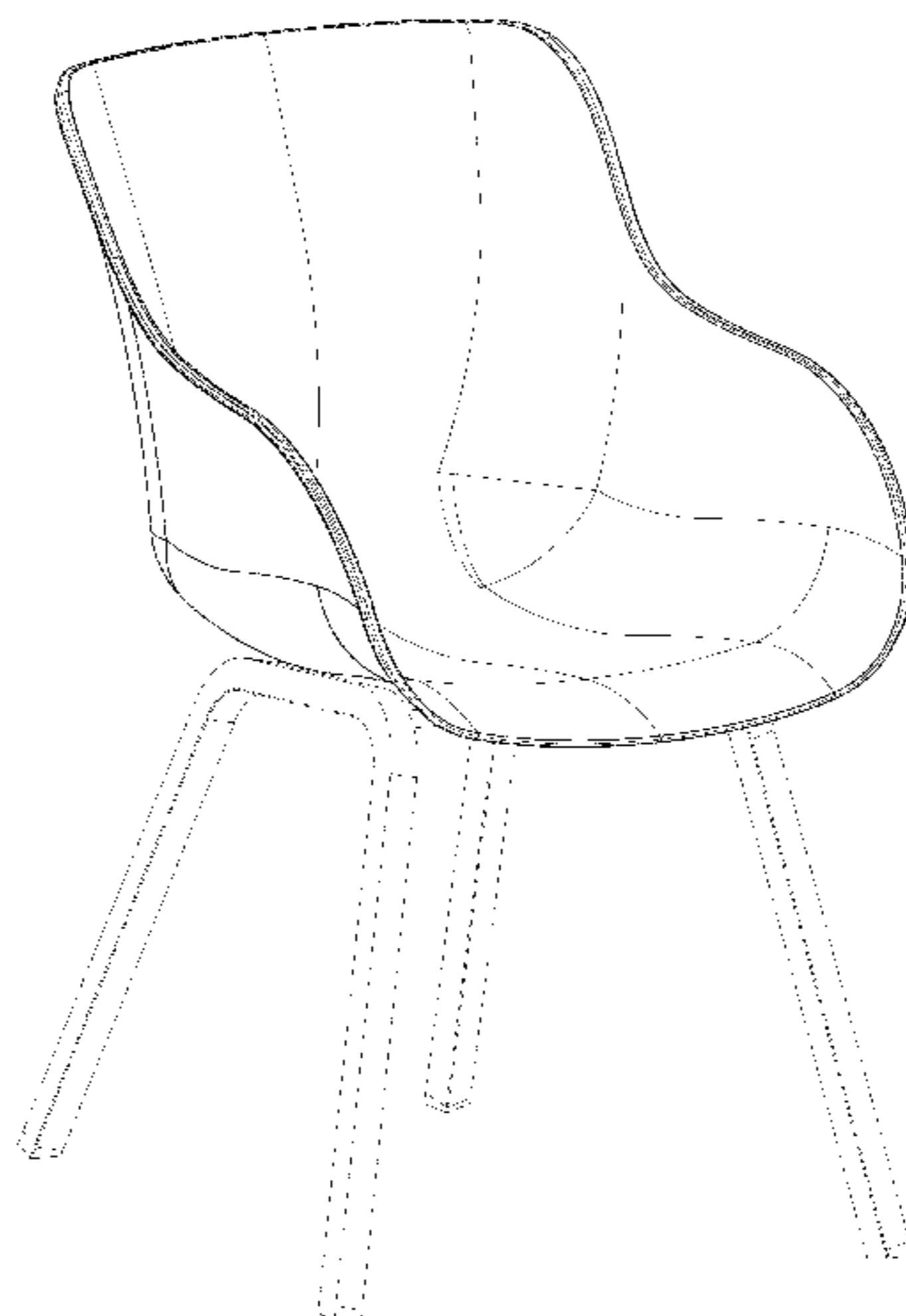
The broken lines depict portions of the chair and form no part of the claimed design.

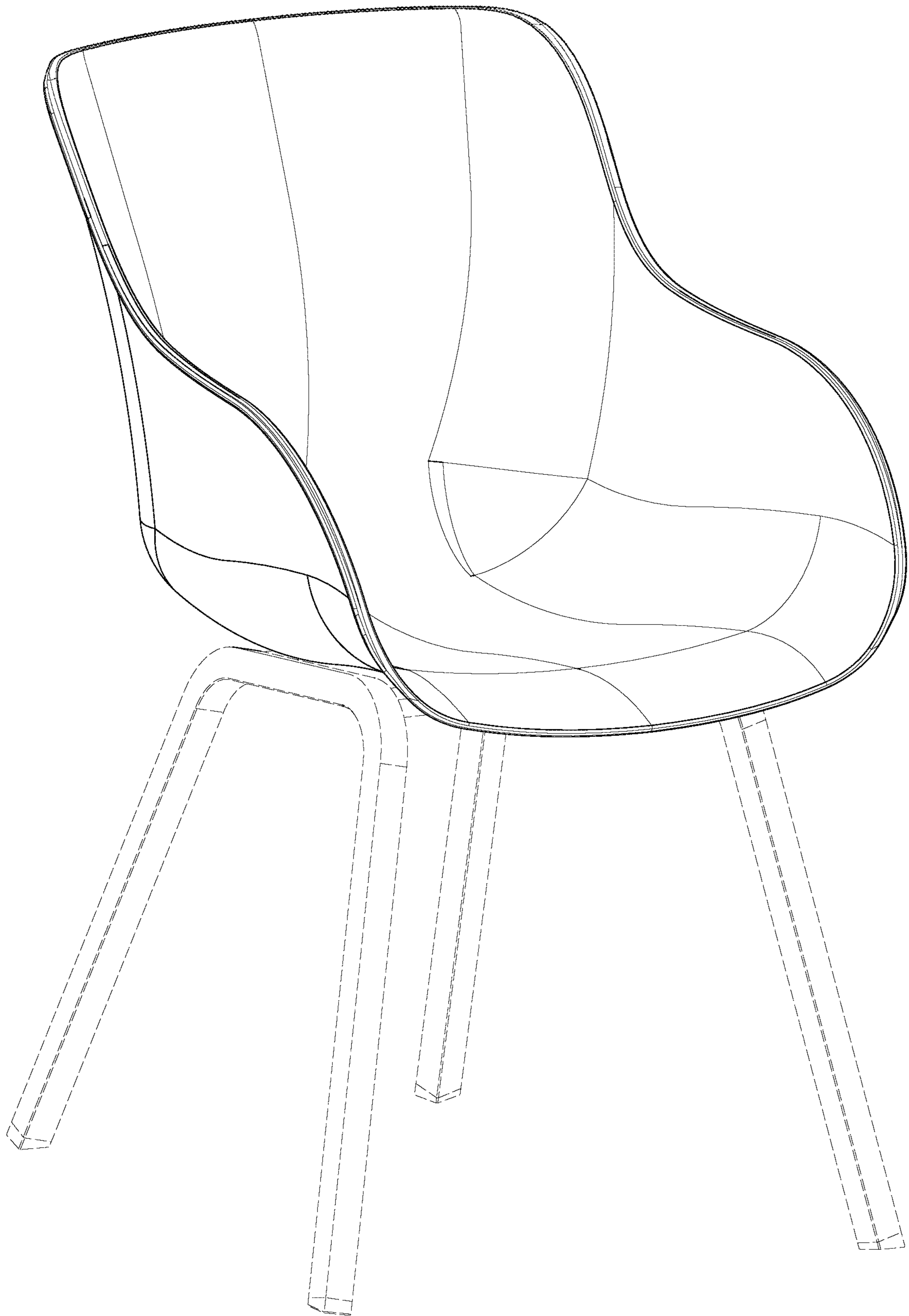
(56) **References Cited**

U.S. PATENT DOCUMENTS

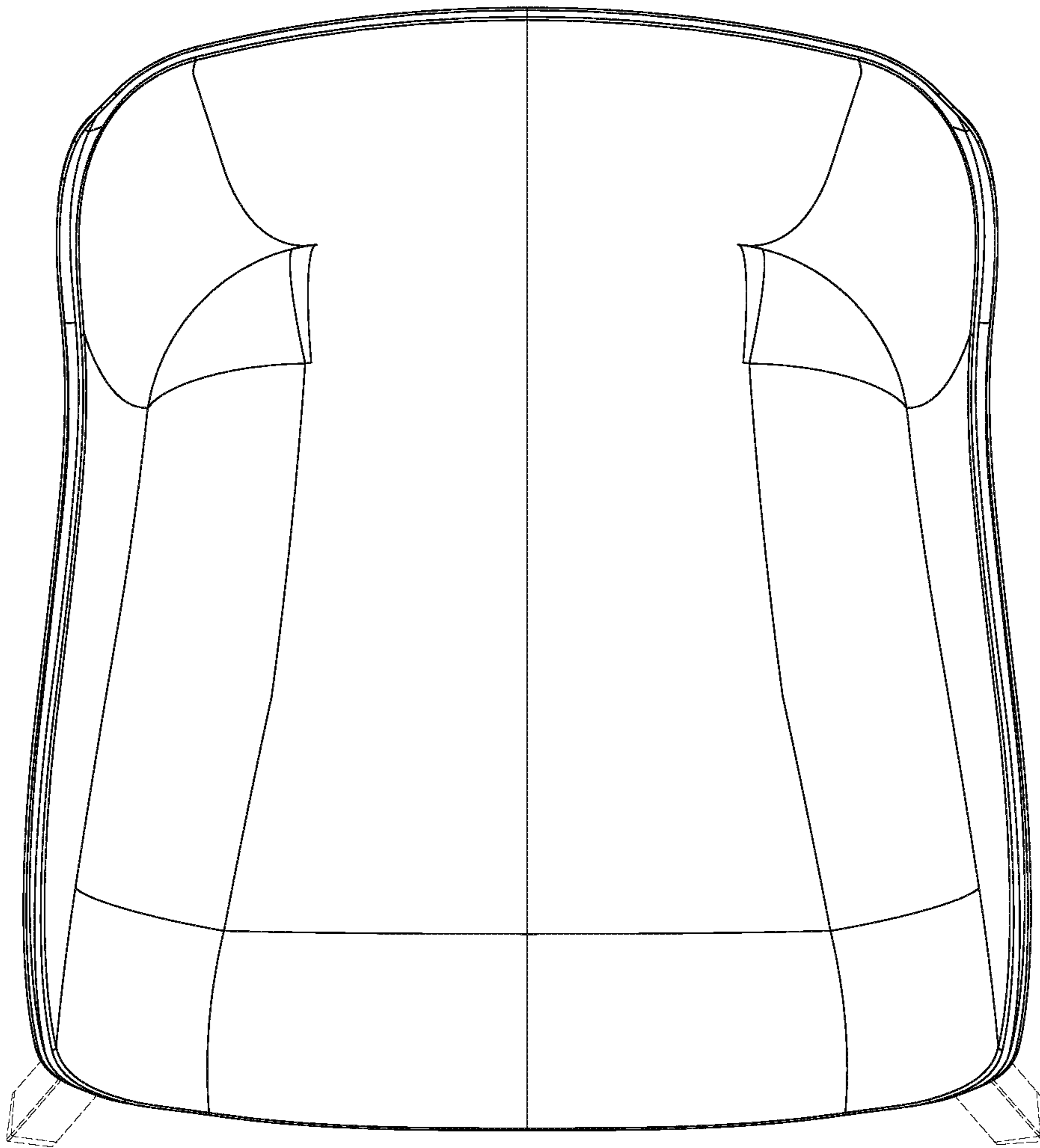
3,565,486 A * 2/1971 Channon A47C 16/005 297/451.11
D743,711 S * 11/2015 Lissoni D6/375
D746,609 S * 1/2016 Lievore D6/375
D798,068 S * 9/2017 Iqbal D6/334

1 Claim, 7 Drawing Sheets

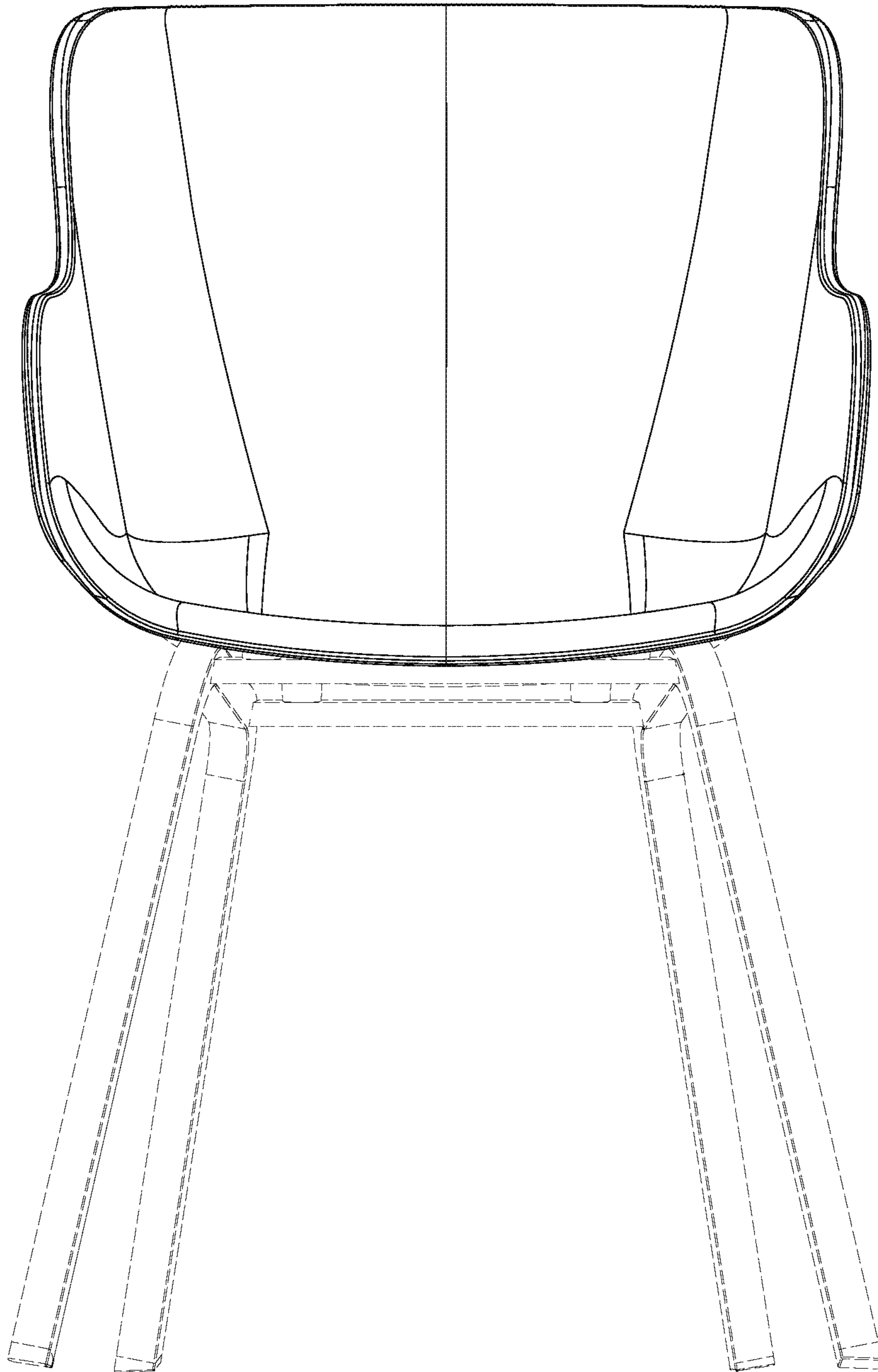




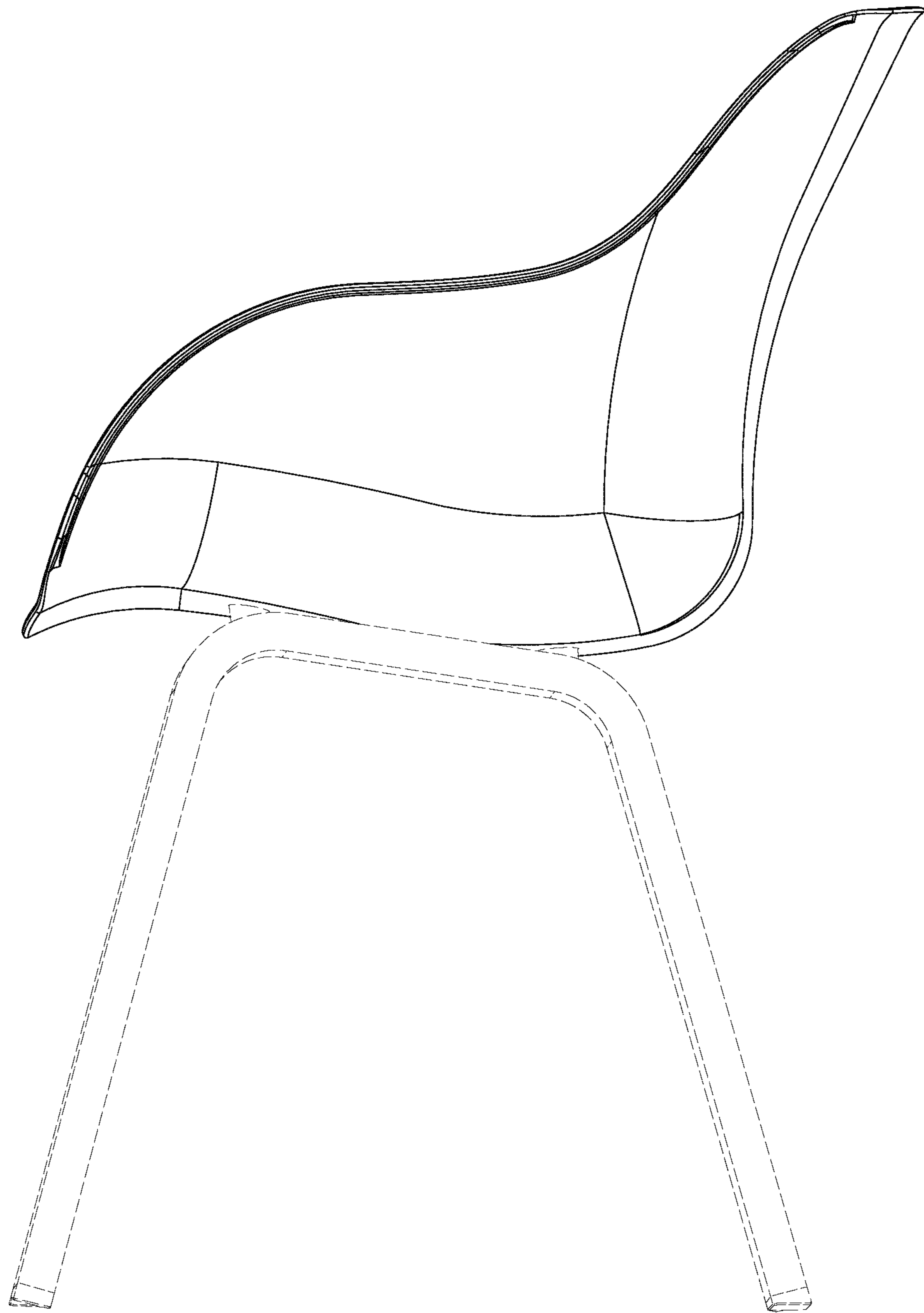
1.1



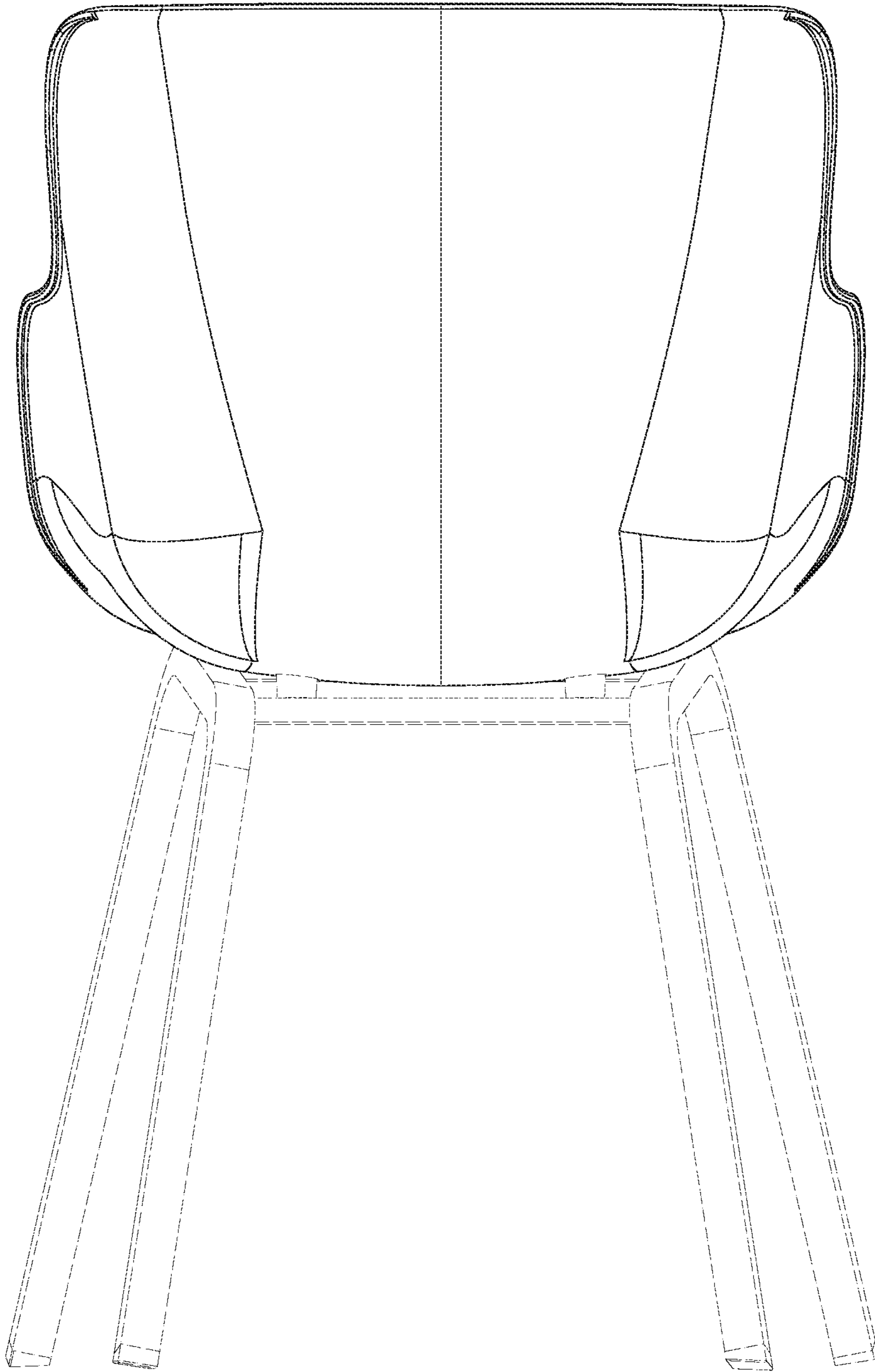
1.2



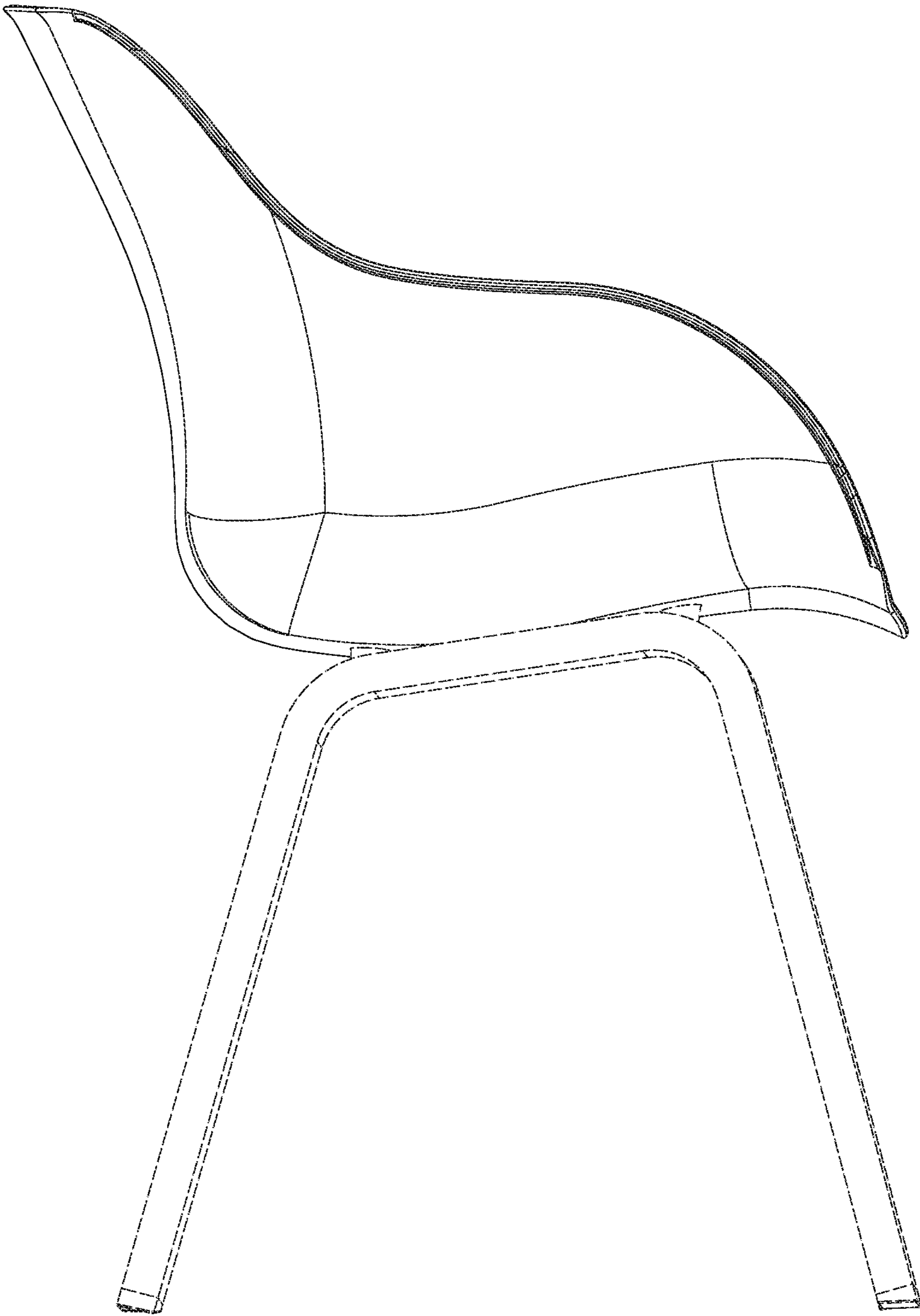
1.3



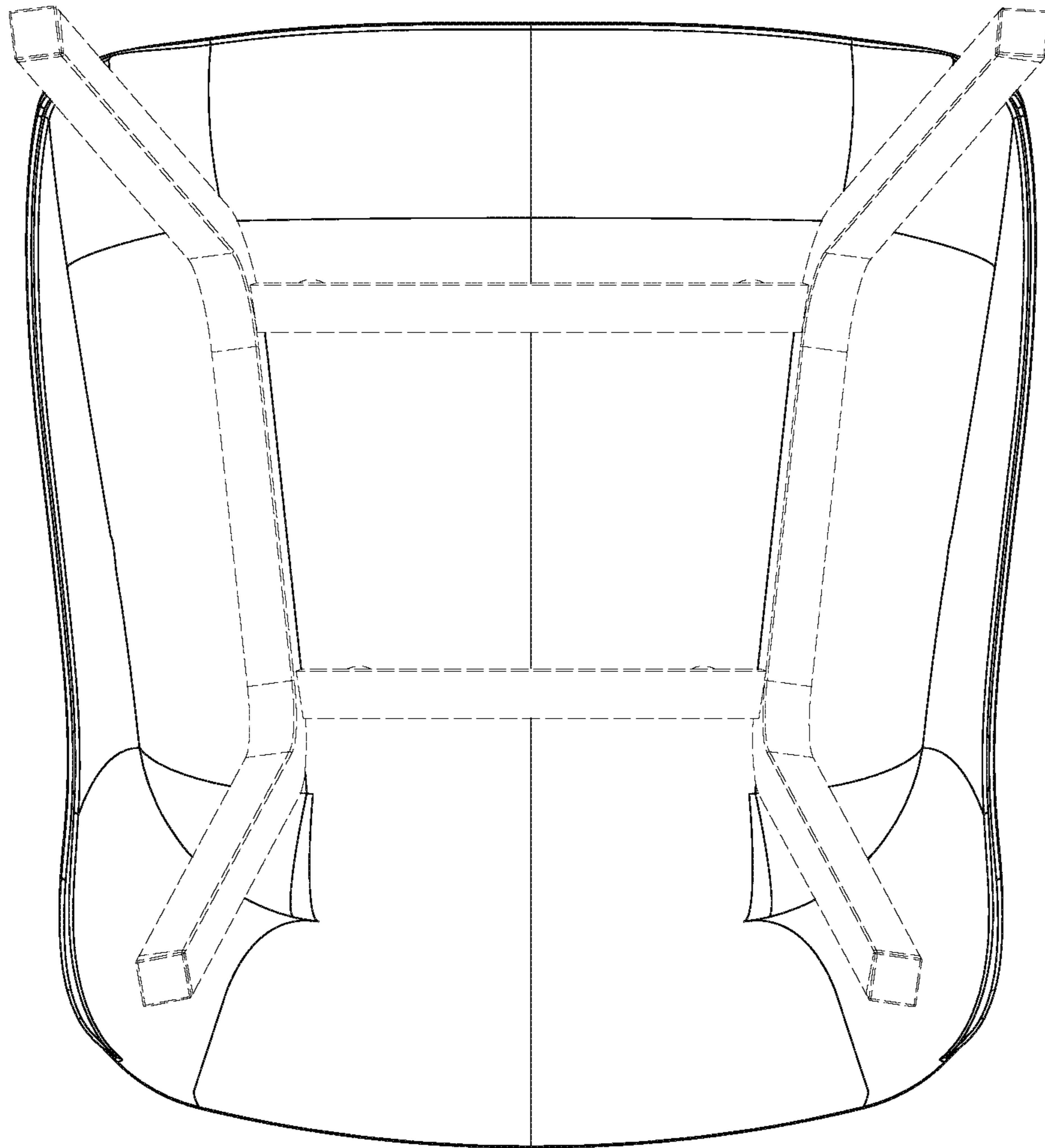
1.4



1.5



1.6



1.7