



US00D909782S

(12) **United States Design Patent**
Harcup et al.

(10) **Patent No.:** **US D909,782 S**

(45) **Date of Patent:** **** Feb. 9, 2021**

(54) **BACK SUPPORT FOR A VEHICLE SEAT**

D487,981 S 4/2004 Ludeke et al.
D488,629 S 4/2004 Giasson
6,769,146 B2* 8/2004 Copeland B60N 2/58
297/452.61
6,793,282 B2 9/2004 Plant et al.
D505,796 S 6/2005 Johnson
(Continued)

(71) Applicants: **Anthony Harcup**, Virginia Water (GB);
Richard Peter John Nicholas, London
(GB); **Brian Ward**, Noak Bridge (GB)

(72) Inventors: **Anthony Harcup**, Virginia Water (GB);
Richard Peter John Nicholas, London
(GB); **Brian Ward**, Noak Bridge (GB)

(73) Assignee: **Ipeco Holdings Limited**

(**) Term: **15 Years**

(21) Appl. No.: **29/655,001**

(22) Filed: **Jun. 29, 2018**

(51) **LOC (13) Cl.** **06-01**

(52) **U.S. Cl.**
USPC **D6/356**

(58) **Field of Classification Search**
USPC D6/334, 335, 349, 353, 354, 356, 360,
D6/361, 362, 364, 365, 366, 371, 374,
D6/375, 377, 379, 380, 381, 716.7
CPC A47C 4/02; A47C 4/04; A47C 4/52; A47C
11/00; A47C 15/002; A47C 1/00; A47C
1/03; A47C 7/002

See application file for complete search history.

(56) **References Cited**

U.S. PATENT DOCUMENTS

2,401,748 A 6/1946 Dillon
2,629,425 A 2/1953 James
3,145,052 A 8/1964 Morgan
3,770,315 A 11/1973 Smittle et al.
5,174,526 A 12/1992 Kanigowski
D405,275 S 2/1999 Dryburgh et al.
6,170,786 B1 1/2001 Park et al.
6,402,244 B1 6/2002 Schonenberg et al.
6,412,870 B1 7/2002 Higgins
6,692,069 B2 2/2004 Beroth et al.

FOREIGN PATENT DOCUMENTS

DE 4039100 6/1992
EP 0 185 536 6/1986
(Continued)

OTHER PUBLICATIONS

Search Report for GB 1705250.7 dated Jun. 6, 2018.
Search Report for GB 1705250.7 dated Sep. 22, 2017.
Search Report for GB 1805313.2 dated Oct. 8, 2018.

Primary Examiner — Karen S Acker
(74) *Attorney, Agent, or Firm* — King & Partners, PLC

(57) **CLAIM**

The ornamental design for a back support for a vehicle seat,
as shown and described.

DESCRIPTION

FIG. 1 is a perspective view of a back support for a vehicle
seat;

FIG. 2 is a front view, thereof;

FIG. 3 is a back view, thereof;

FIG. 4 is a left side view, thereof;

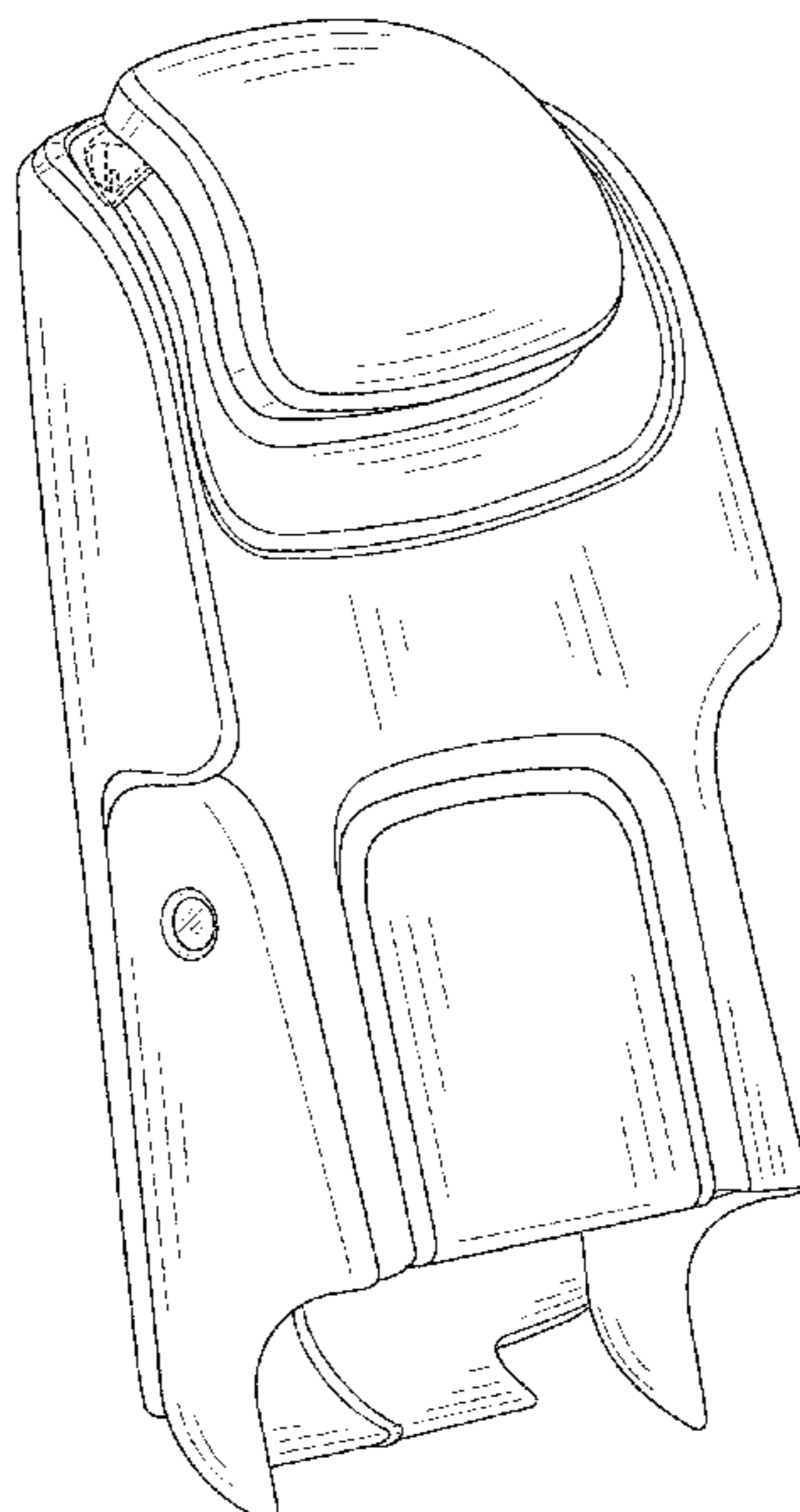
FIG. 5 is a right side view, thereof;

FIG. 6 is a top view, thereof; and,

FIG. 7 is a bottom view thereof.

The broken lines and areas within them adjacent to shaded
areas and solid lines depict portions of the back support for
a vehicle seat that form no part of the claimed design.

1 Claim, 7 Drawing Sheets



(56)

References Cited

U.S. PATENT DOCUMENTS

D534,005 S * 12/2006 Beermann D6/356
 D535,485 S * 1/2007 Moburg D6/356
 7,311,354 B2 12/2007 Giasson
 D577,503 S 9/2008 Priestman
 D583,579 S 12/2008 Pearson et al.
 D590,161 S 4/2009 Scoley et al.
 D605,863 S 12/2009 Aruga et al.
 7,665,693 B2 2/2010 Bettell
 D616,212 S * 5/2010 Rosenbohm D6/356
 7,708,343 B2 * 5/2010 Kayumi B60N 2/99
 297/284.9
 D617,105 S * 6/2010 Rosenbohm D6/356
 7,837,259 B2 11/2010 Staab et al.
 D632,105 S 2/2011 Aruga et al.
 8,303,036 B2 11/2012 Hankinson et al.
 8,419,123 B2 4/2013 Hankinson et al.
 D686,422 S 7/2013 Robinson
 8,474,911 B2 * 7/2013 Parker B60N 2/12
 297/311
 8,556,222 B2 * 10/2013 Yamada B60N 2/0705
 248/429
 D723,822 S 3/2015 Cai et al.
 D725,927 S 4/2015 Carter
 D750,392 S 3/2016 Wilkens
 9,415,709 B2 * 8/2016 Ito B60N 2/68
 9,604,549 B2 * 3/2017 Makiguchi B60N 2/02
 9,623,770 B2 * 4/2017 Furuta B60N 2/68
 D800,464 S 10/2017 Larabie et al.
 D801,065 S * 10/2017 Willis D6/356
 D805,312 S * 12/2017 Varga B60N 2/68
 D6/356
 D824,184 S * 7/2018 Willis B60N 2/68
 D6/356
 10,011,201 B2 * 7/2018 Nitsuma B60N 2/42781
 D843,746 S * 3/2019 Bekas D6/356
 D862,098 S * 10/2019 Peat B60N 2/02
 D6/356

D867,003 S * 11/2019 Bekas B60N 2/0705
 D6/356
 D867,774 S * 11/2019 De Vienne D6/356
 D874,170 S * 2/2020 Perry B60N 2/99
 D6/356
 D876,851 S * 3/2020 Buffery B29C 65/7829
 D6/356
 2004/0004383 A1 1/2004 Laurent
 2004/0036336 A1 2/2004 Veneruso
 2006/0192052 A1 8/2006 Baumann
 2008/0150342 A1 6/2008 Kismarton et al.
 2010/0032994 A1 2/2010 Lawson
 2010/0244534 A1 9/2010 Driessen et al.
 2010/0253129 A1 10/2010 Dowty et al.
 2011/0101751 A1 5/2011 Meister et al.
 2012/0037754 A1 2/2012 Kladde
 2012/0074751 A1 3/2012 De La Garza et al.
 2014/0145476 A1 5/2014 Nagayasu
 2014/0375087 A1 12/2014 Kuno et al.
 2015/0008707 A1 1/2015 Erhel
 2015/0246624 A1 * 9/2015 Furuta B29C 65/7829
 297/344.15
 2016/0376007 A1 12/2016 Meindlhumer

FOREIGN PATENT DOCUMENTS

EP 0 957 025 11/1999
 EP 1 074 468 2/2001
 EP 2 134 602 6/2013
 EP 2 134 603 4/2016
 EP 3 078 594 10/2016
 FR 3 042 450 4/2017
 GB 447327 11/1934
 GB 2560996 10/2018
 WO WO 2007/072045 6/2007
 WO WO 2008/107689 9/2008
 WO WO 2008/122761 10/2008
 WO WO 2016/049351 3/2016
 WO WO 2018/178729 10/2018

* cited by examiner

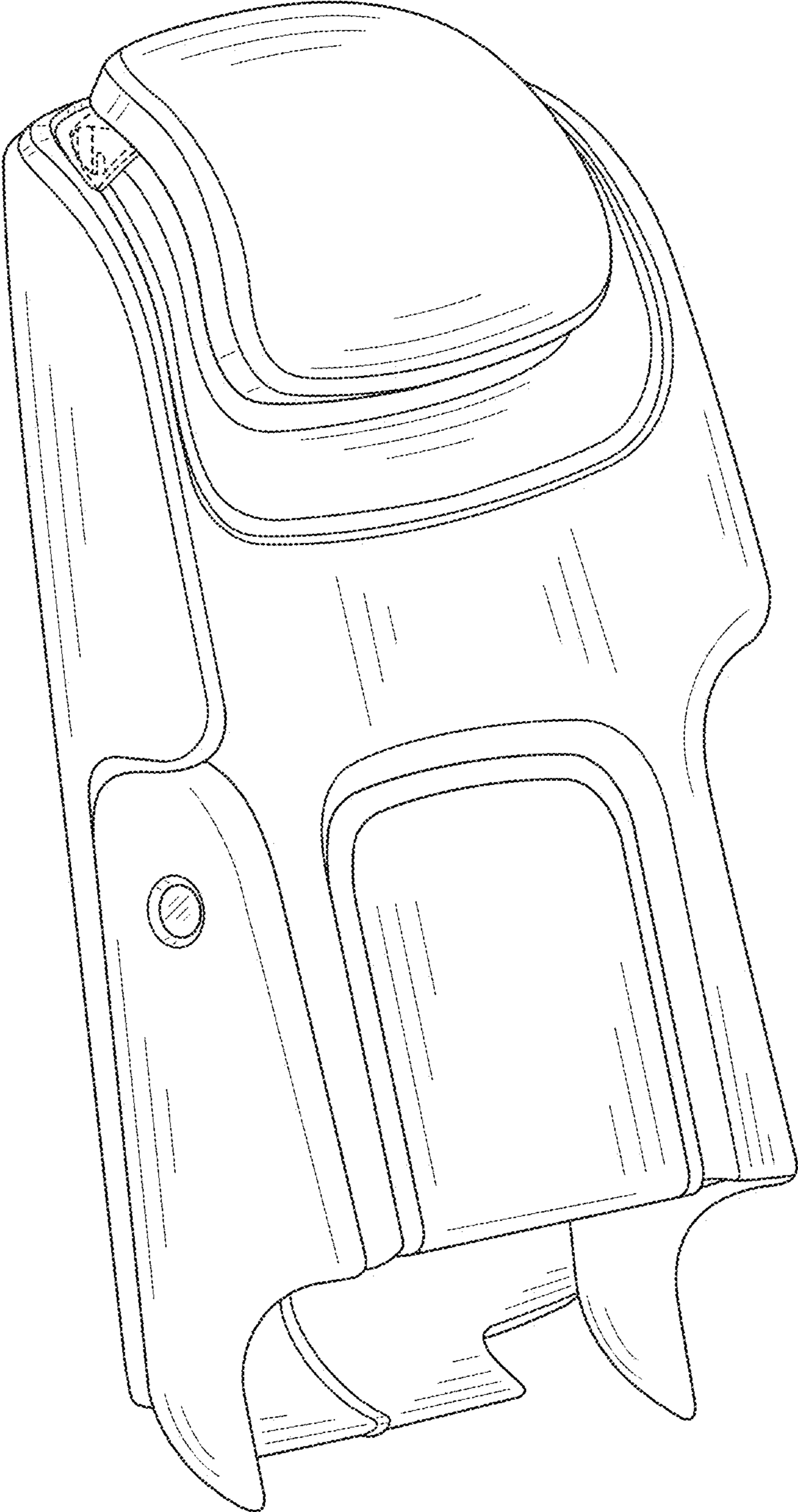


FIG. 1

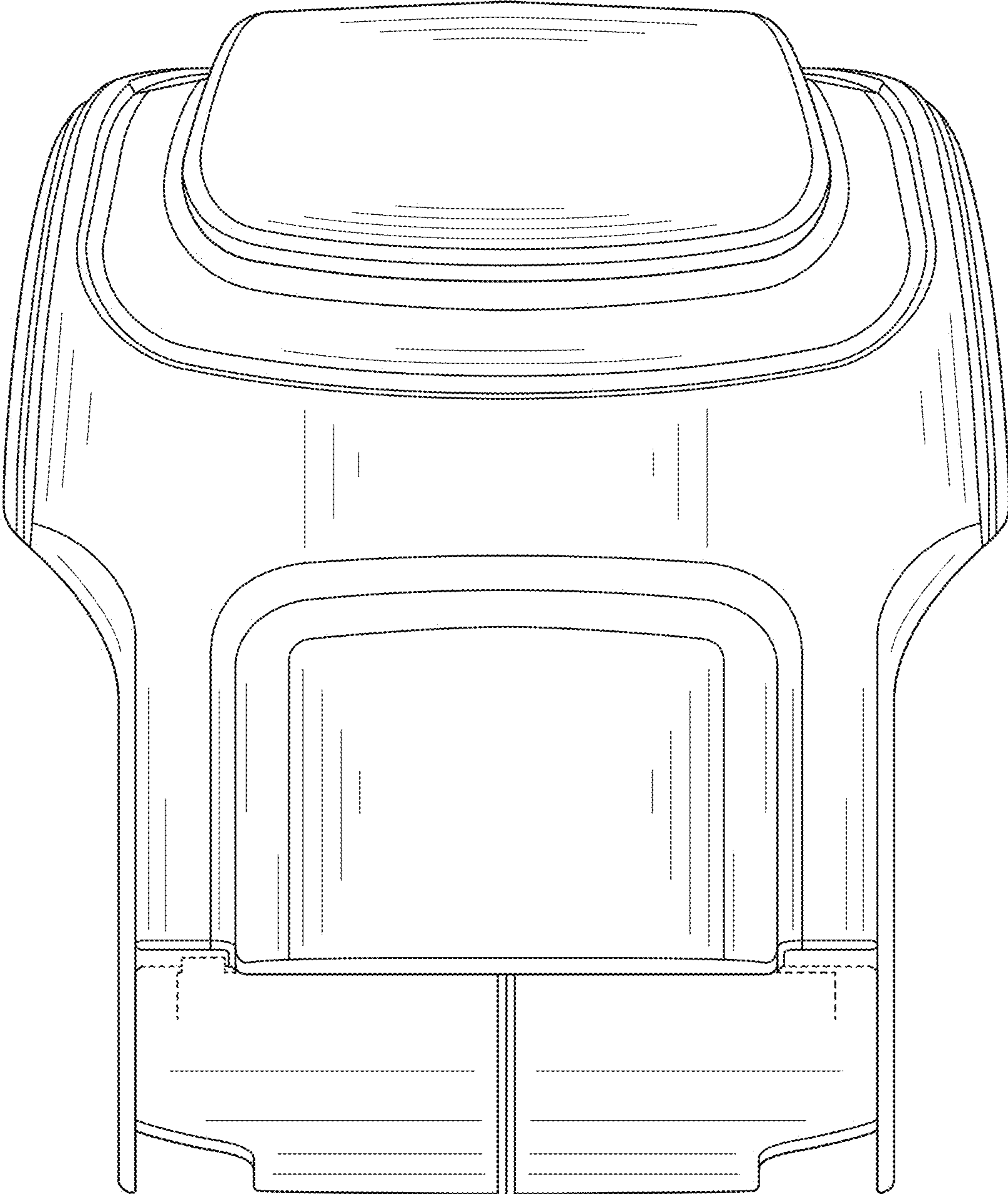


FIG. 2

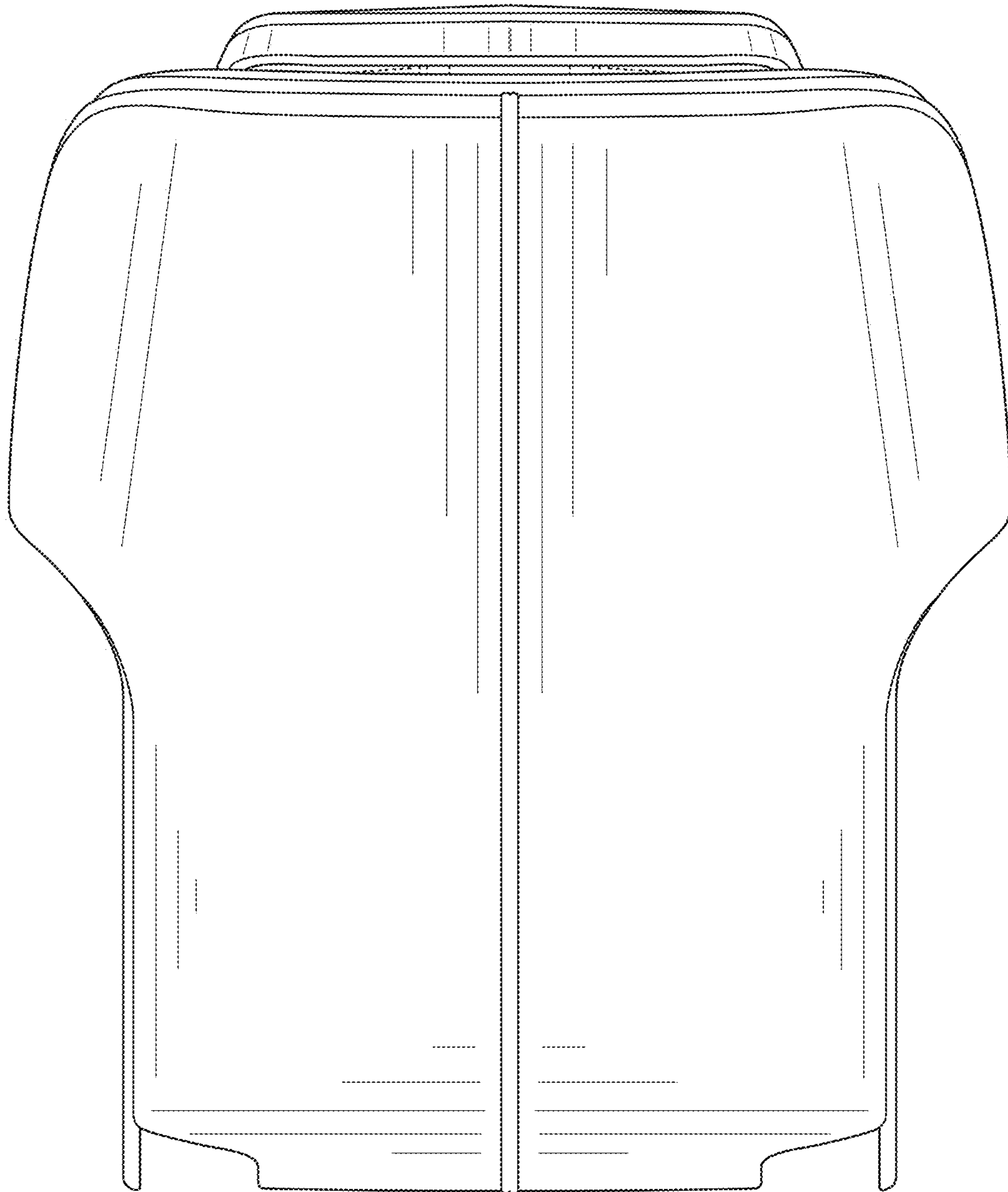


FIG. 3

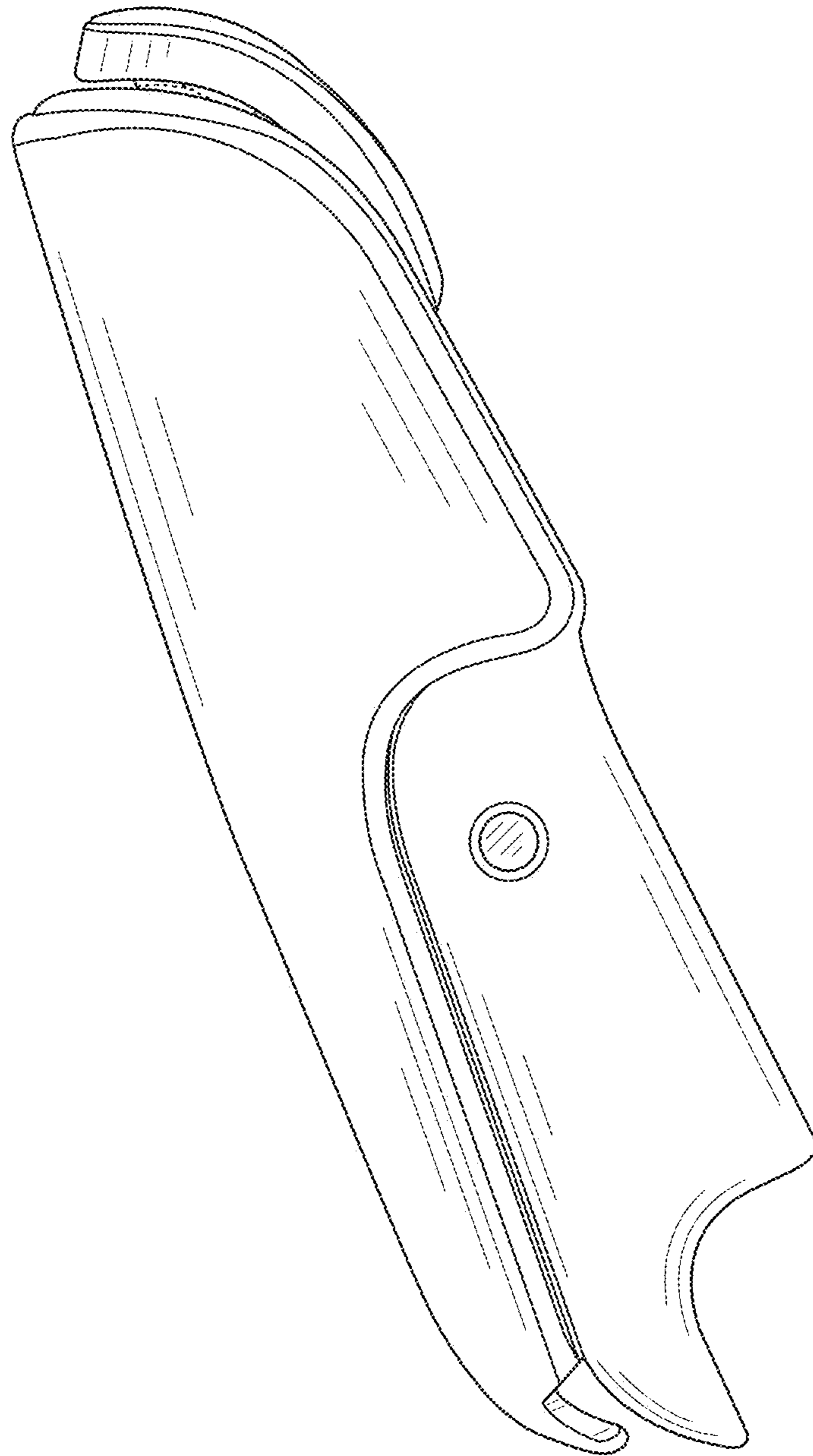


FIG. 4

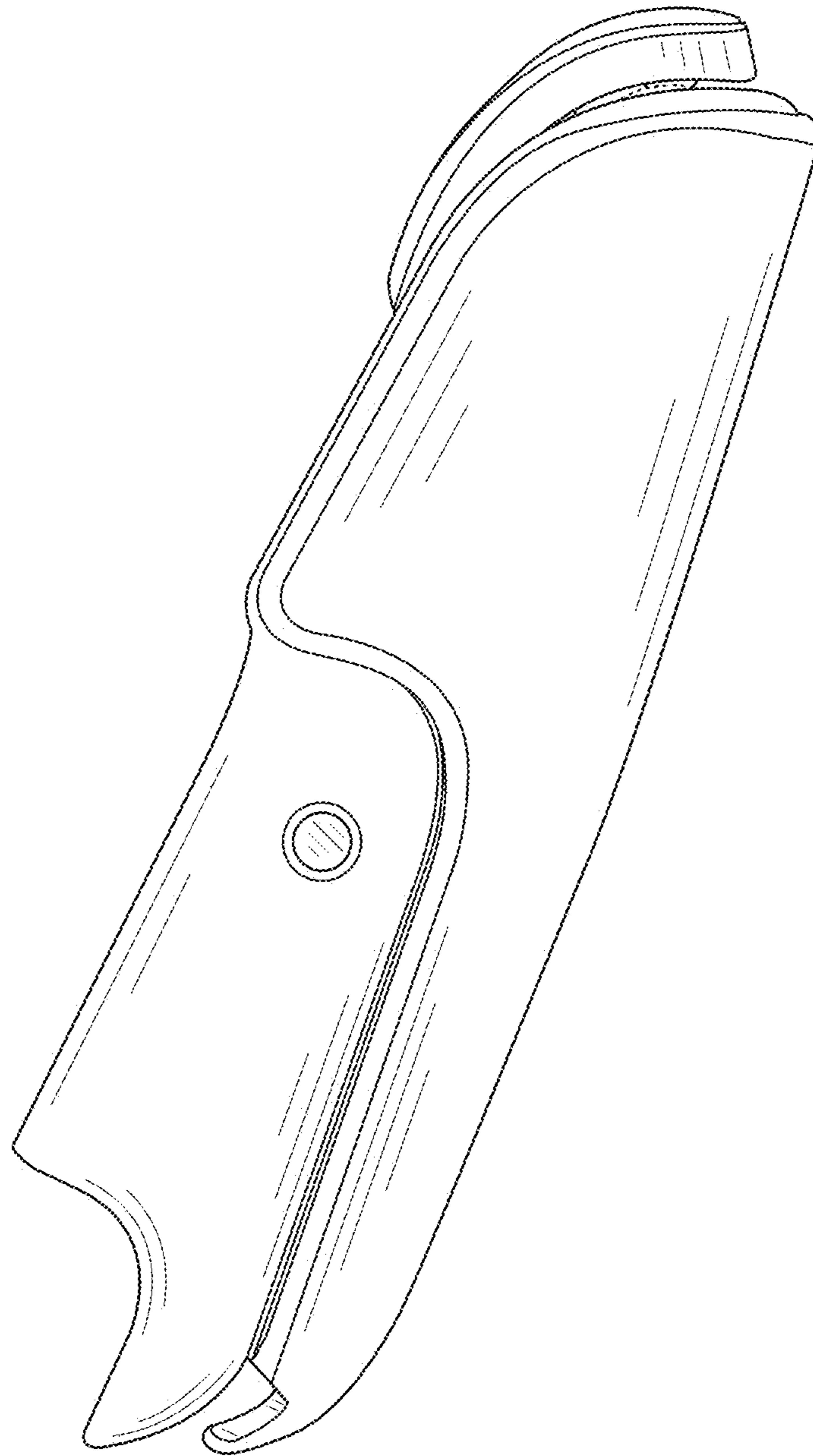


FIG. 5

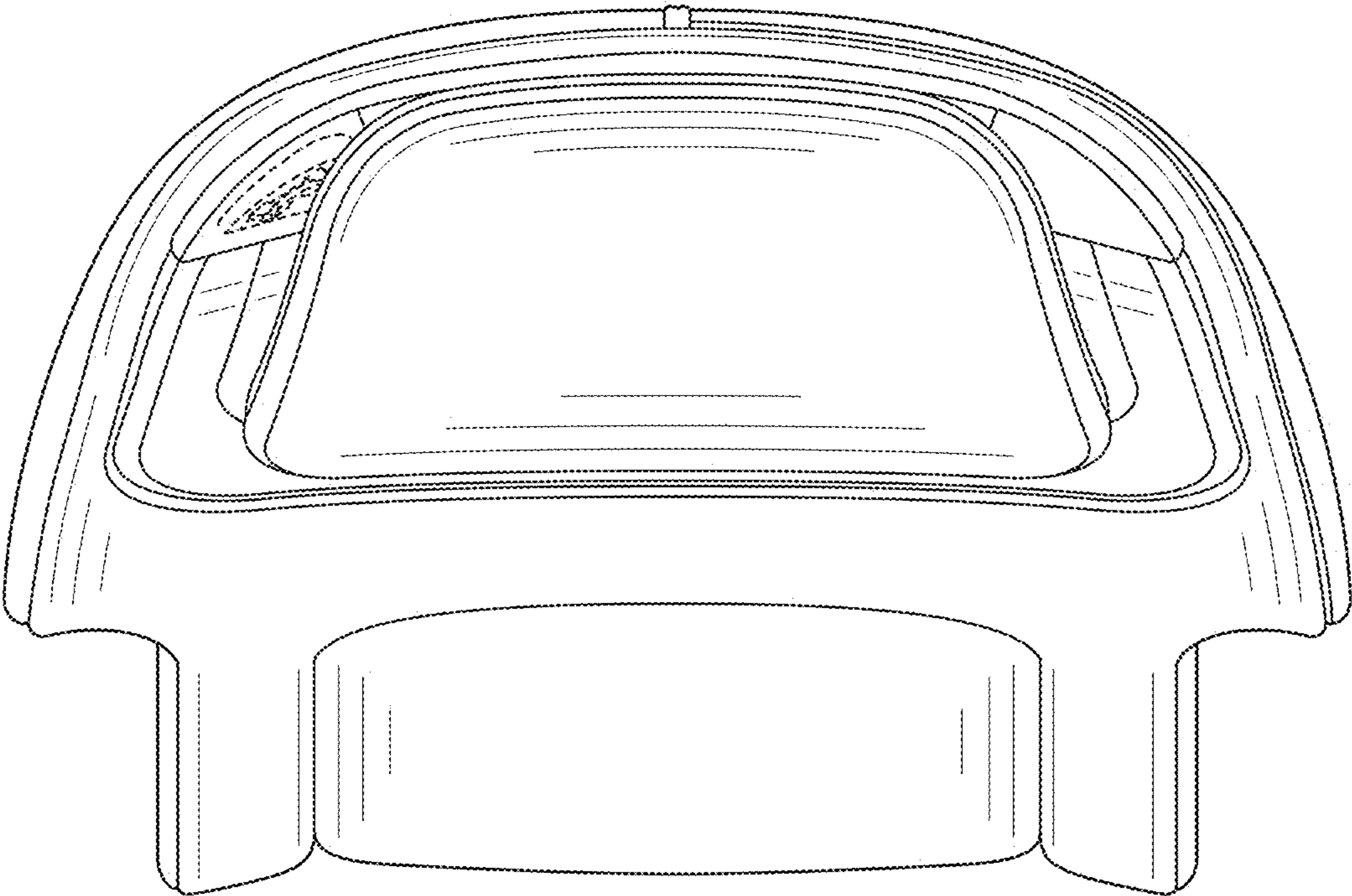


FIG. 6

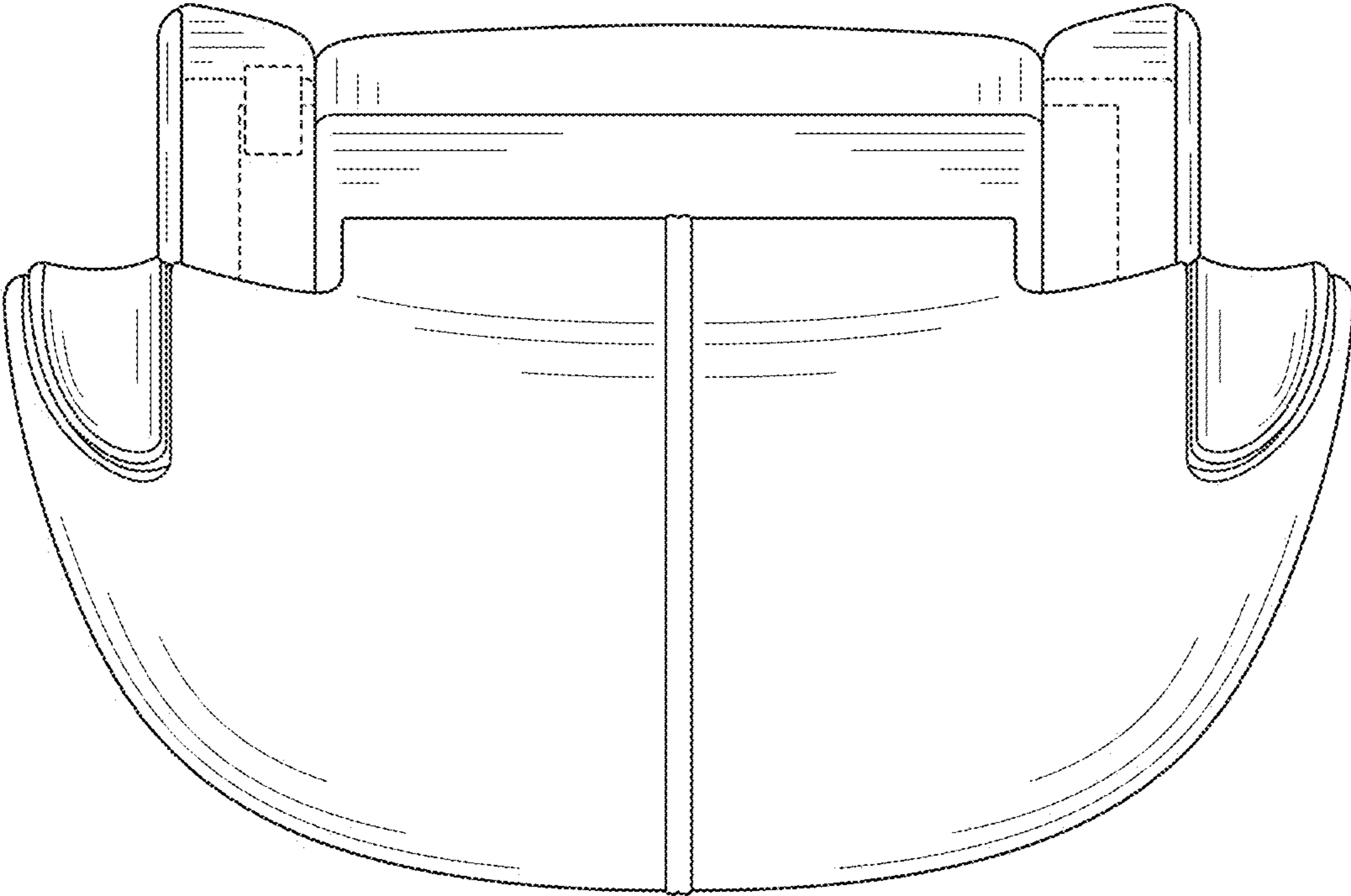


FIG. 7