



(12) **United States Design Patent** (10) **Patent No.:** **US D909,779 S**
Samikkannu et al. (45) **Date of Patent:** **** Feb. 9, 2021**

(54) **TABLE WITH ATTACHED STOOLS**

- (71) Applicant: **AMTAB MANUFACTURING CORPORATION**, Bensenville, IL (US)
- (72) Inventors: **Doss Samikkannu**, Bensenville, IL (US); **Gregory Rajkiewicz**, Bensenville, IL (US); **Jeremias C. Rivera, Jr.**, Bensenville, IL (US)
- (73) Assignee: **AMTAB MANUFACTURING CORPORATION**, Bensenville, IL (US)
- (**) Term: **15 Years**
- (21) Appl. No.: **29/703,723**
- (22) Filed: **Aug. 29, 2019**
- (51) **LOC (13) Cl.** **06-01**
- (52) **U.S. Cl.**
USPC **D6/337**
- (58) **Field of Classification Search**
CPC ... A47B 31/14; A47B 3/002; A47B 2003/145;
A47B 3/083; A47B 3/087; A47B 83/021;
A47B 83/02; A47B 23/04; A47B
83/0213; A47C 7/50
See application file for complete search history.

(56) **References Cited**

U.S. PATENT DOCUMENTS

1,489,982	A *	4/1924	Dailey	A47C 9/022 297/142
3,075,809	A *	1/1963	Wilson	A47B 3/14 297/158.4
3,099,480	A *	7/1963	Wilson	A47B 3/14 297/158.4
3,099,481	A *	7/1963	Bue	A47B 3/14 297/158.4
3,109,678	A *	11/1963	Wilson	A47B 3/14 297/158.4
3,174,796	A *	3/1965	Brown	A47B 3/14 297/158.4

(Continued)

OTHER PUBLICATIONS

1stdibs, "All Original Milk Glass and Iron Swivel Stool Industrial Factory Table," accessed on-line at: https://www.1stdibs.com/furniture/tables/industrial-work-tables/all-original-milk-glass-iron-swivel-stool-industrial-factory-table/id-f_11092743 (accessed on Jan. 11, 2019).

(Continued)

Primary Examiner — W. A. Teddy Falloway

(74) *Attorney, Agent, or Firm* — Barnes & Thornburg LLP

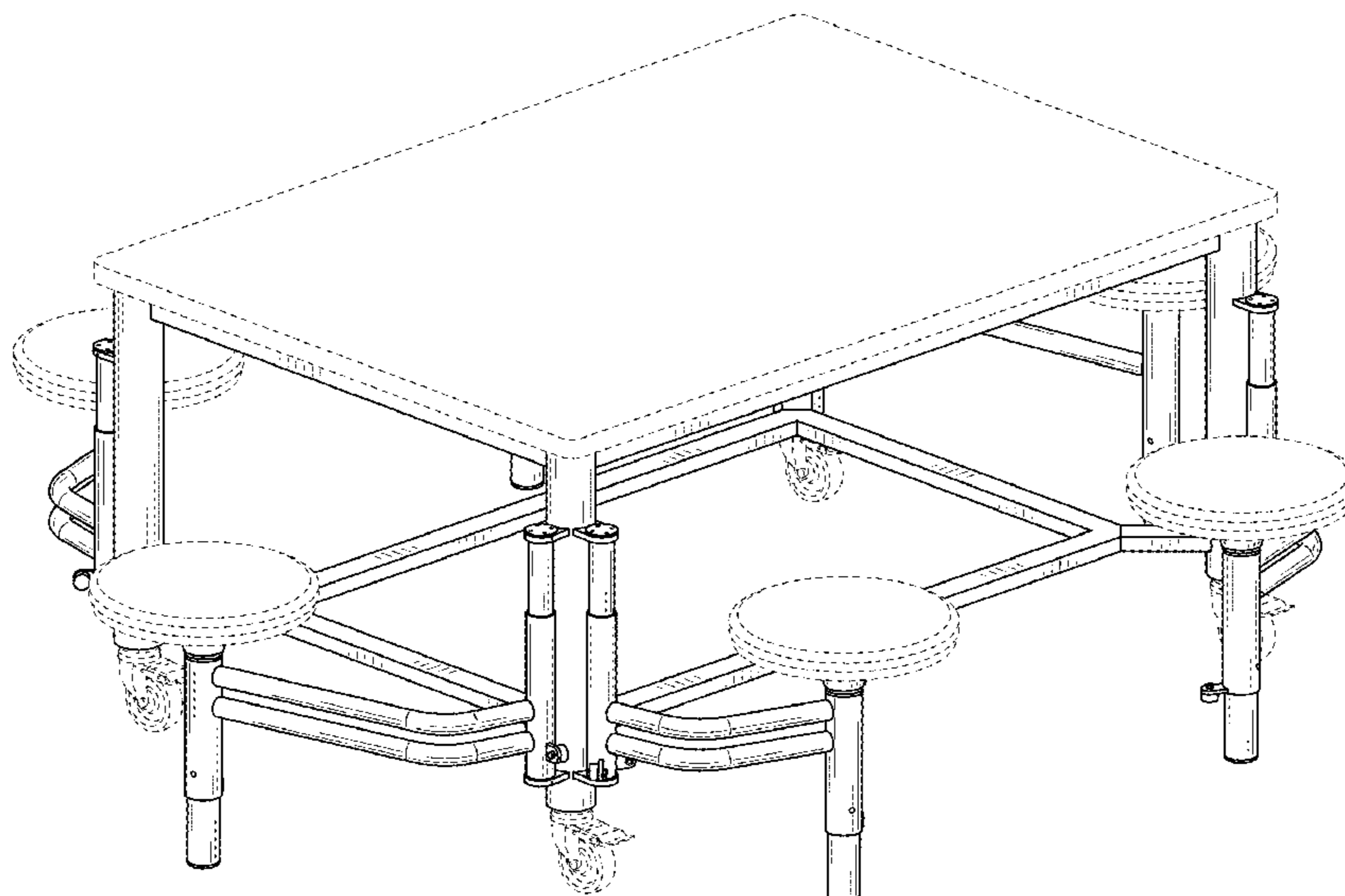
(57) **CLAIM**

We claim the ornamental design for a table with attached stools, as shown and described.

DESCRIPTION

FIG. 1 is an upper perspective view of a table with attached stools in accordance with our new design;
 FIG. 2 is another upper perspective view of the table with attached stools of FIG. 1;
 FIG. 3 is a front elevation view of the table with attached stools of FIG. 2;
 FIG. 4 is a rear elevation view of the table with attached stools of FIG. 2;
 FIG. 5 is a right-side elevation view of the table with attached stools of FIG. 2;
 FIG. 6 is a left-side elevation view of the table with attached stools of FIG. 2;
 FIG. 7 is a top plan view of the table with attached stools of FIG. 2; and,
 FIG. 8 is a bottom plan view of the table with attached stools of FIG. 2.
 The broken lines depict portions of the table with attached stools that form no part of the claimed design.

1 Claim, 8 Drawing Sheets



(56)

References Cited

U.S. PATENT DOCUMENTS

D211,886 S * 8/1968 Benjamin D6/337
 D250,151 S * 11/1978 Pingel D6/337
 4,542,936 A * 9/1985 Gafken A47C 7/024
 108/105
 4,852,499 A * 8/1989 Ozols A47B 23/04
 108/44
 D413,734 S * 9/1999 Bue D6/337
 6,065,802 A * 5/2000 Bue A47B 3/14
 108/168
 D456,155 S * 4/2002 DeVriendt D6/337
 D467,437 S * 12/2002 Ott D6/337
 D467,438 S * 12/2002 Ott D6/337
 D478,732 S * 8/2003 Pajerski D6/337
 D479,406 S * 9/2003 Pajerski D6/337
 D479,773 S * 9/2003 Pajerski D6/337
 D514,830 S * 2/2006 Bue D6/337
 7,171,911 B1 * 2/2007 Rivera, Jr. A47B 3/14
 108/115
 D573,360 S * 7/2008 Bue D6/337
 D621,172 S * 8/2010 Rivera, Jr. D6/338
 D637,826 S * 5/2011 DeVriendt D6/338
 D639,572 S * 6/2011 Frobose D6/338
 D666,014 S * 8/2012 Gruszynski D6/353
 D668,464 S * 10/2012 Du D6/353
 D670,089 S * 11/2012 Frobose D6/338
 D688,481 S * 8/2013 Lee D6/360
 8,517,472 B1 * 8/2013 Proctor A47C 7/50
 297/423.1
 D802,945 S * 11/2017 Rivera, Jr. D6/337
 D832,604 S * 11/2018 Samikkannu D6/337
 10,278,495 B2 5/2019 Byrne et al.
 10,531,741 B2 * 1/2020 Rajkiewicz A47B 3/14
 2002/0129562 A1 * 9/2002 Schmeing A47B 3/14
 52/36.1
 2005/0161984 A1 * 7/2005 Bue A47B 3/087
 297/158.4

2007/0241591 A1 * 10/2007 Bue A47C 9/022
 297/142
 2008/0116724 A1 * 5/2008 Dickey A47B 3/14
 297/158.4
 2010/0052398 A1 * 3/2010 Hanusiak A47C 9/10
 297/451.4
 2011/0041738 A1 * 2/2011 Rivera, Jr. A47B 3/083
 108/132
 2012/0013152 A1 * 1/2012 Bradley A47B 3/14
 297/135
 2016/0302576 A1 * 10/2016 Dickey A47C 7/16
 2017/0245632 A1 * 8/2017 Dickey A47B 3/087
 2019/0038025 A1 * 2/2019 Byrne A47C 9/022
 2019/0059596 A1 * 2/2019 Wallace A47C 7/029

OTHER PUBLICATIONS

Istdibs, "Cast Iron Swing Swivel Stool Industrial Factory Table with Four Stools," accessed on-line at: https://www.1stdibs.com/furniture/tables/industrial-work-tables/cast-iron-swing-swivel-stool-industrial-factory-table-four-stools/id-f_6162353 (accessed on Jan. 11, 2019).
 Get Back Inc., "Industrial Swing-out-seat Restaurant Dining Table," accessed on-line at: <https://getbackinc.com/product/communal-dining-table> (accessed on Jan. 11, 2019).
 Get Back Inc., "Swing Out 6-Seat Dining Table Cast Iron & Wood, with Metal Top," accessed on-line at: <https://web.archive.org/web/20170921184130/http://www.getbackinc.com> (accessed on Jan. 11, 2019).
 OFM, "Model 9004 Endure Standing Height Table with Seats," Brochure (Jul. 2018).
 OFM, "Model 9244 Endure Student Table," Brochure (Mar. 2018).
 OFM, "Model 9294 Endure Student Table," Brochure (Mar. 2018).
 Palmer Hamilton, "The Rally Table," Brochure (available prior to the filing of the present application).

* cited by examiner

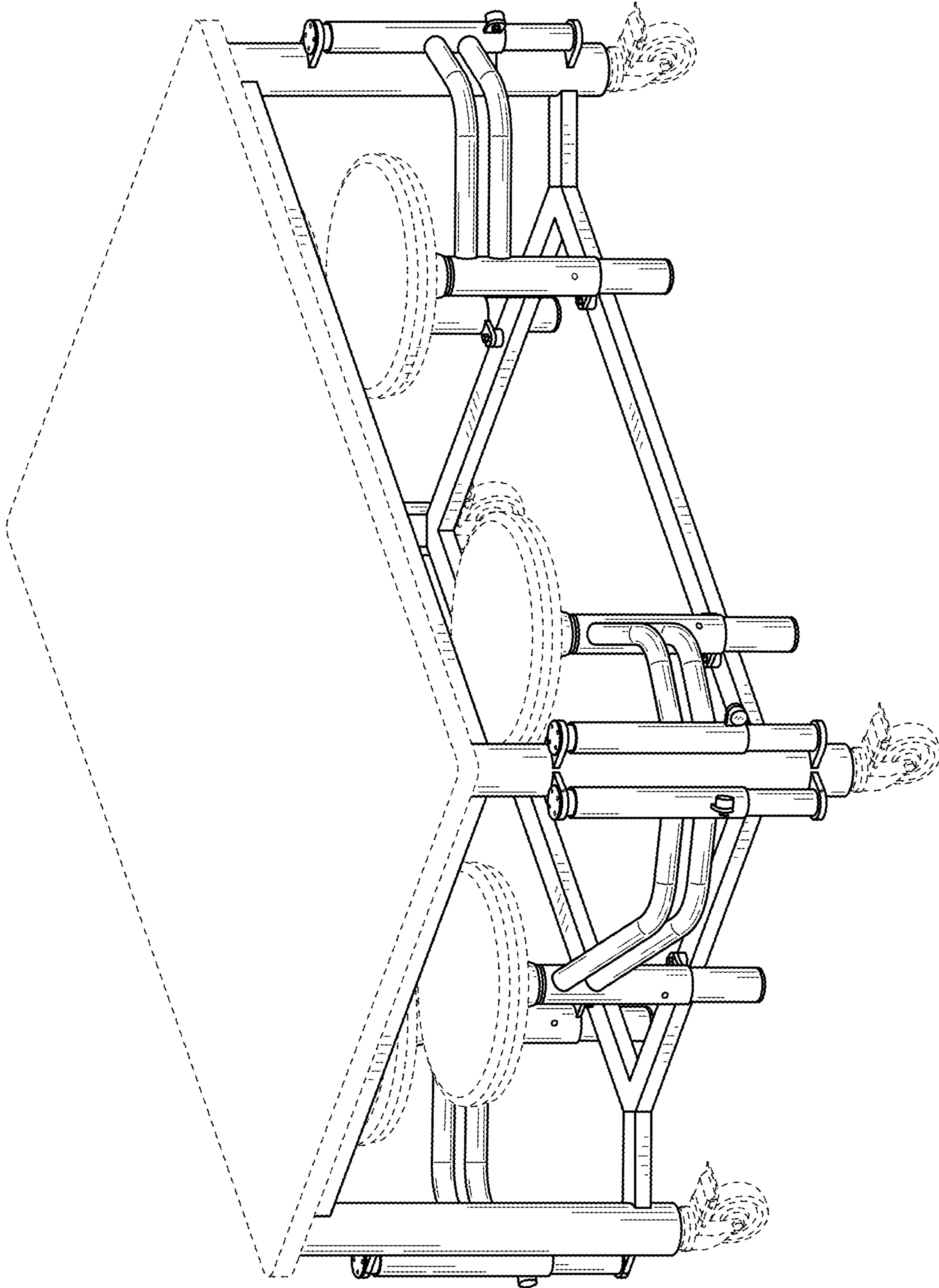


FIG. 1

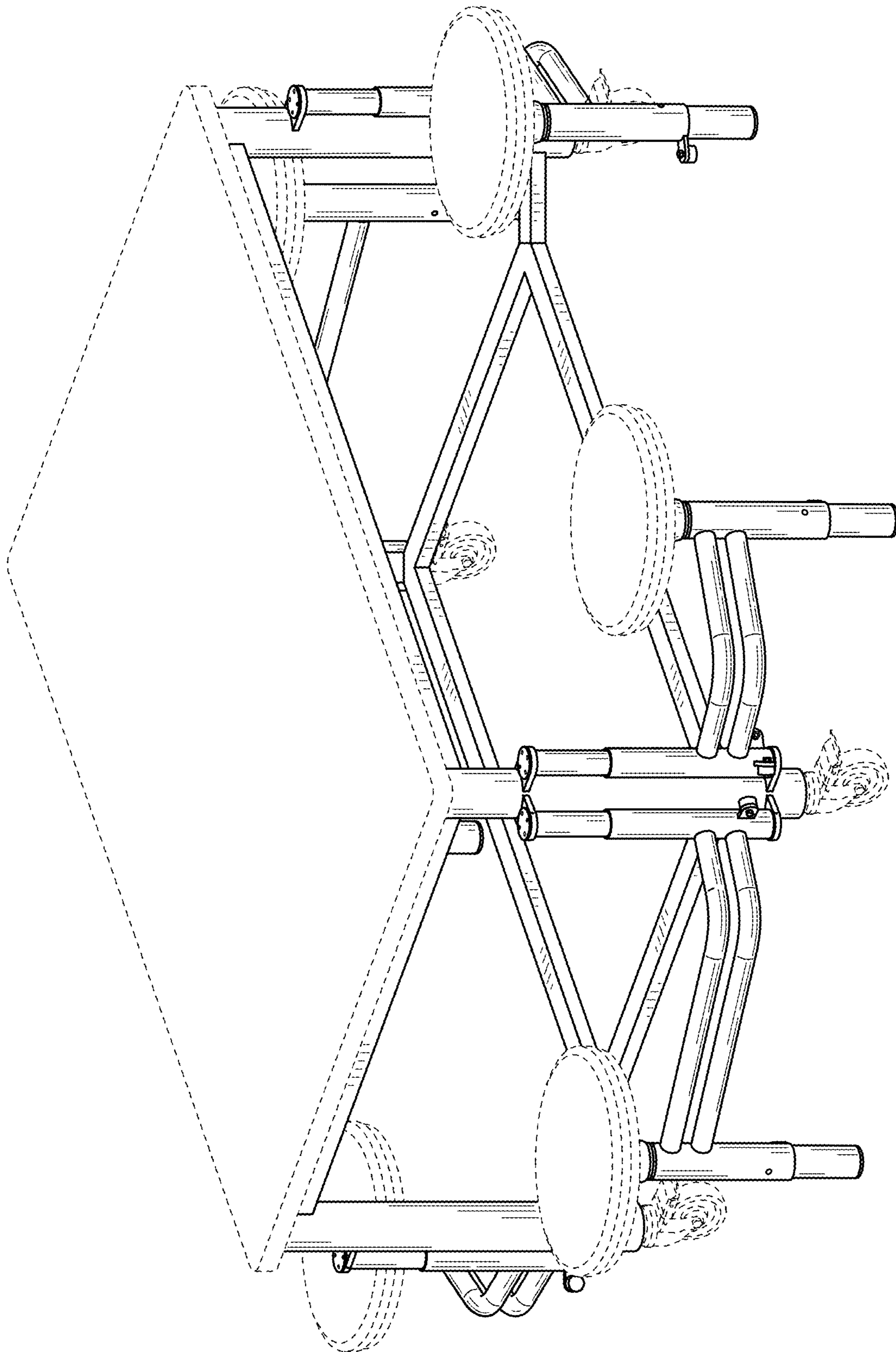


FIG. 2

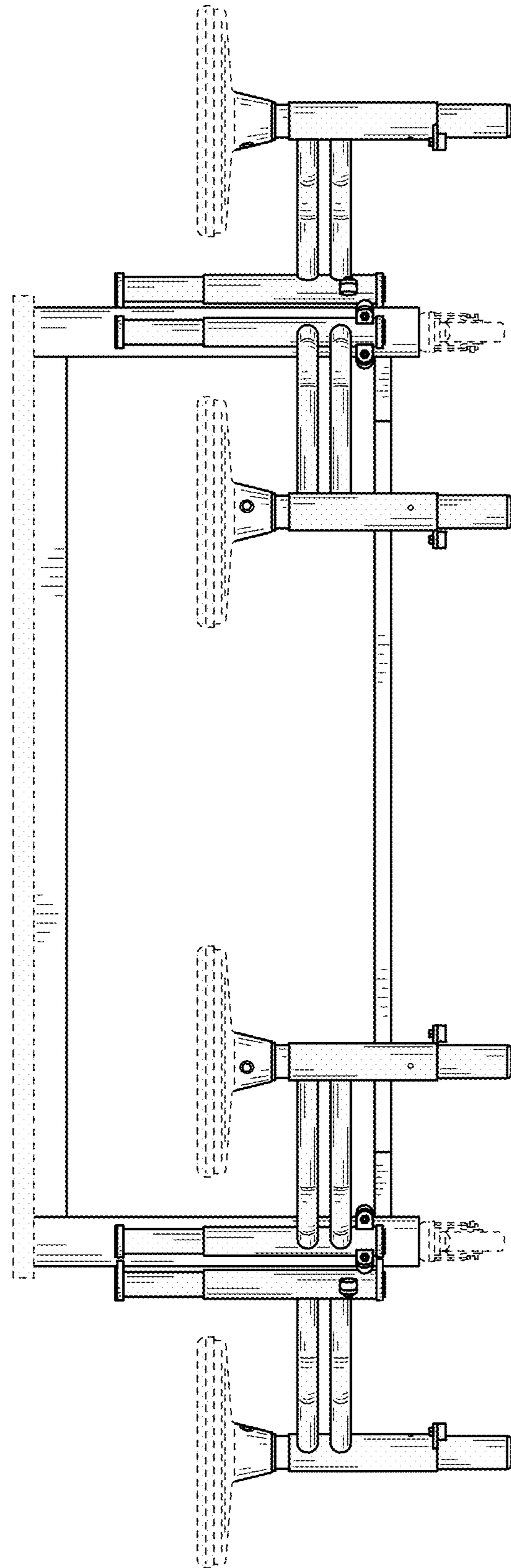


FIG. 3

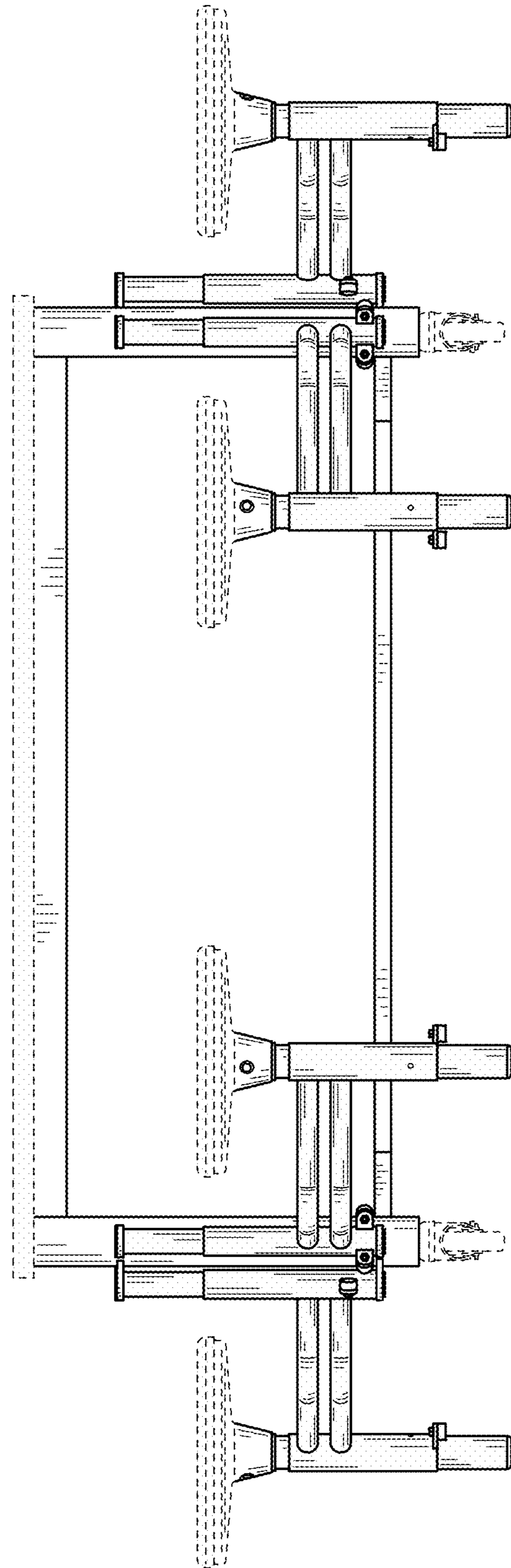


FIG. 4

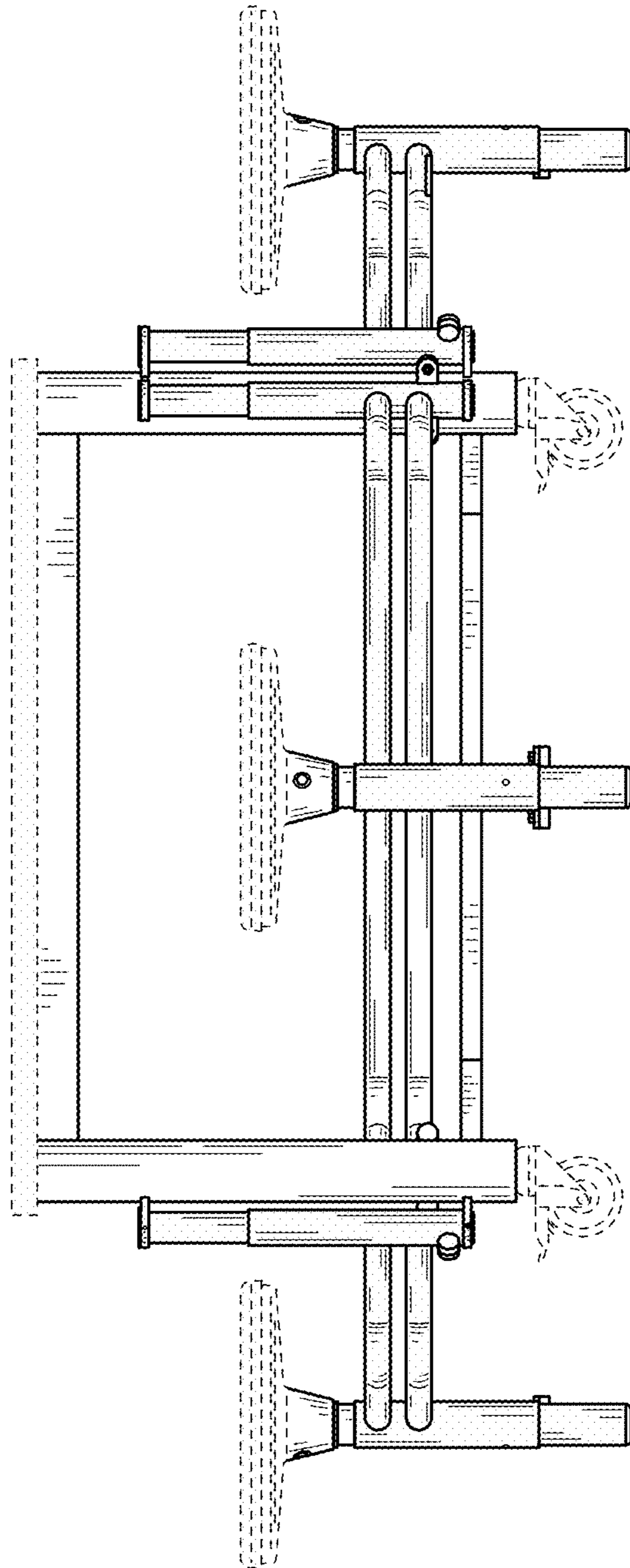


FIG. 5

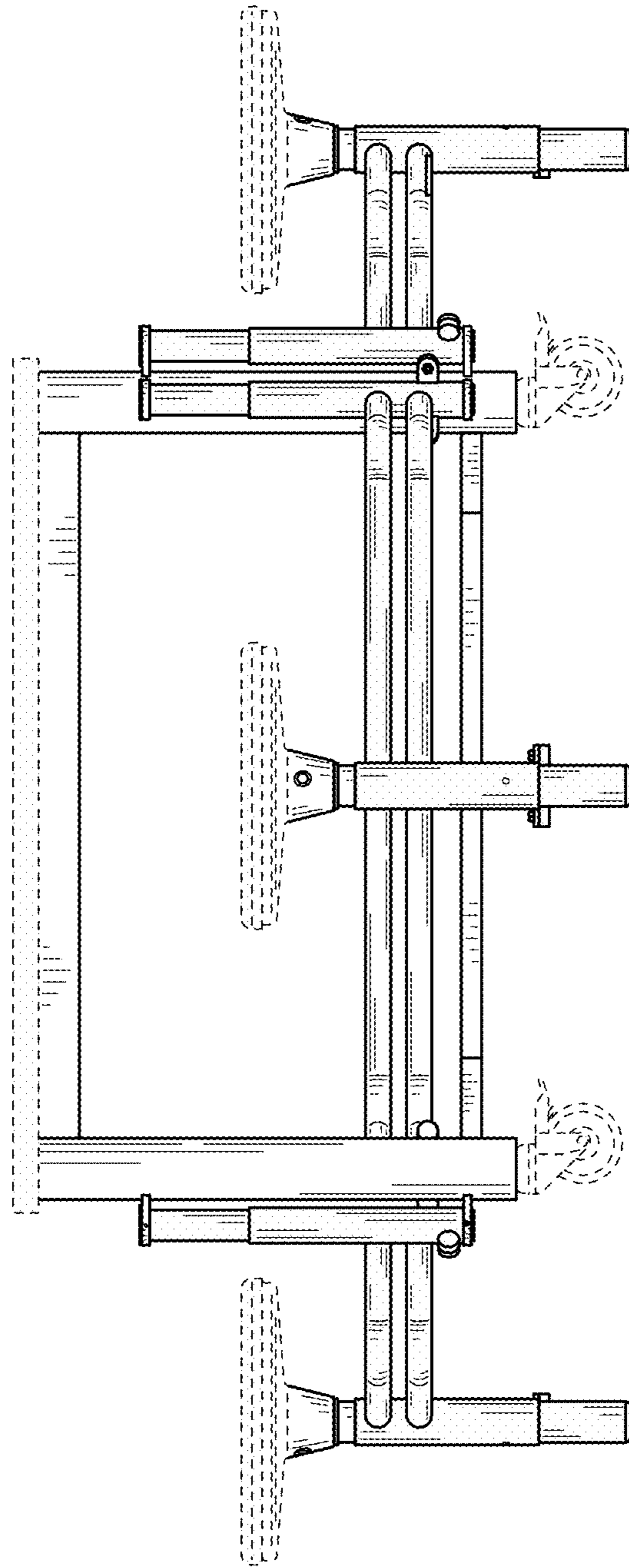


FIG. 6

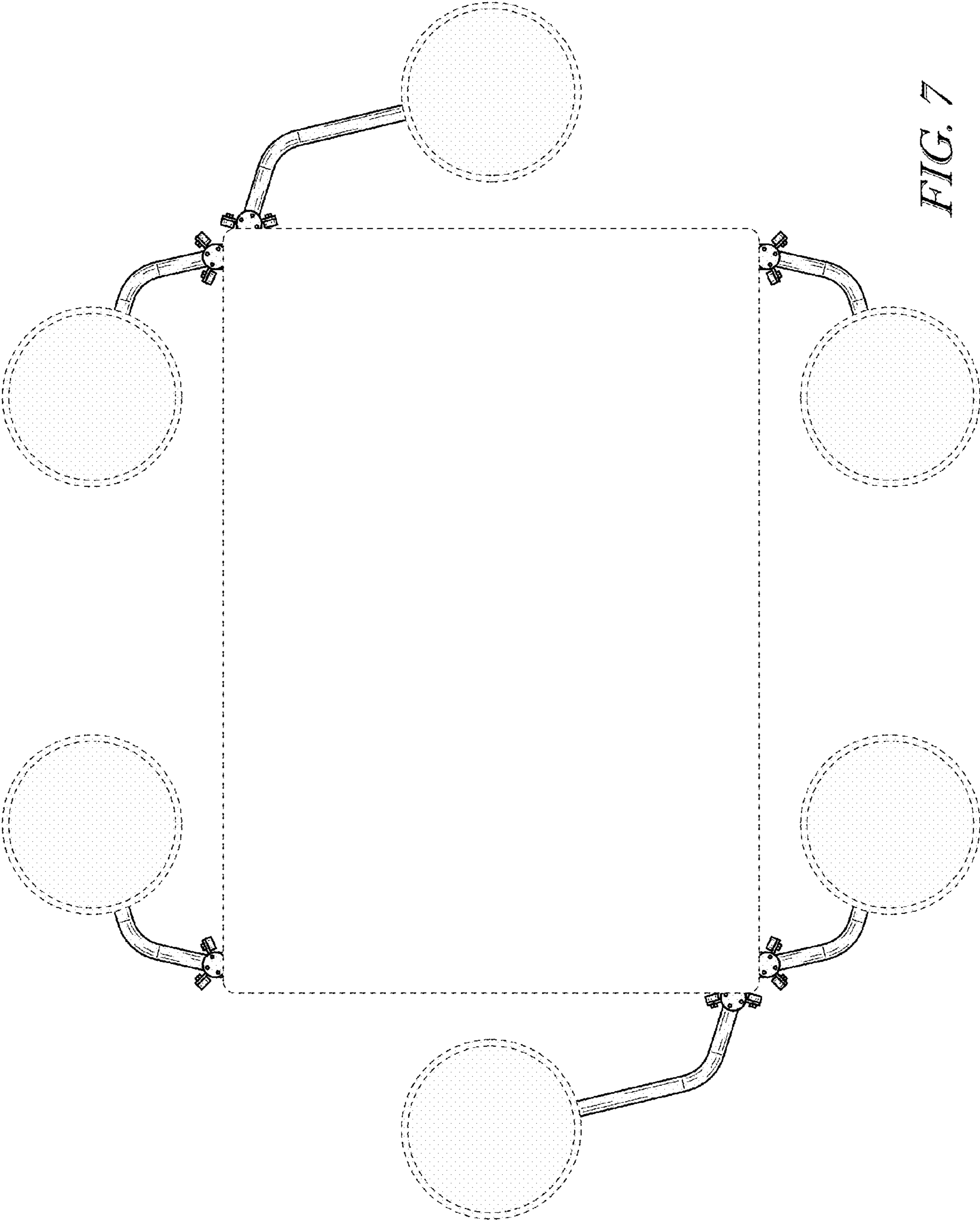


FIG. 7

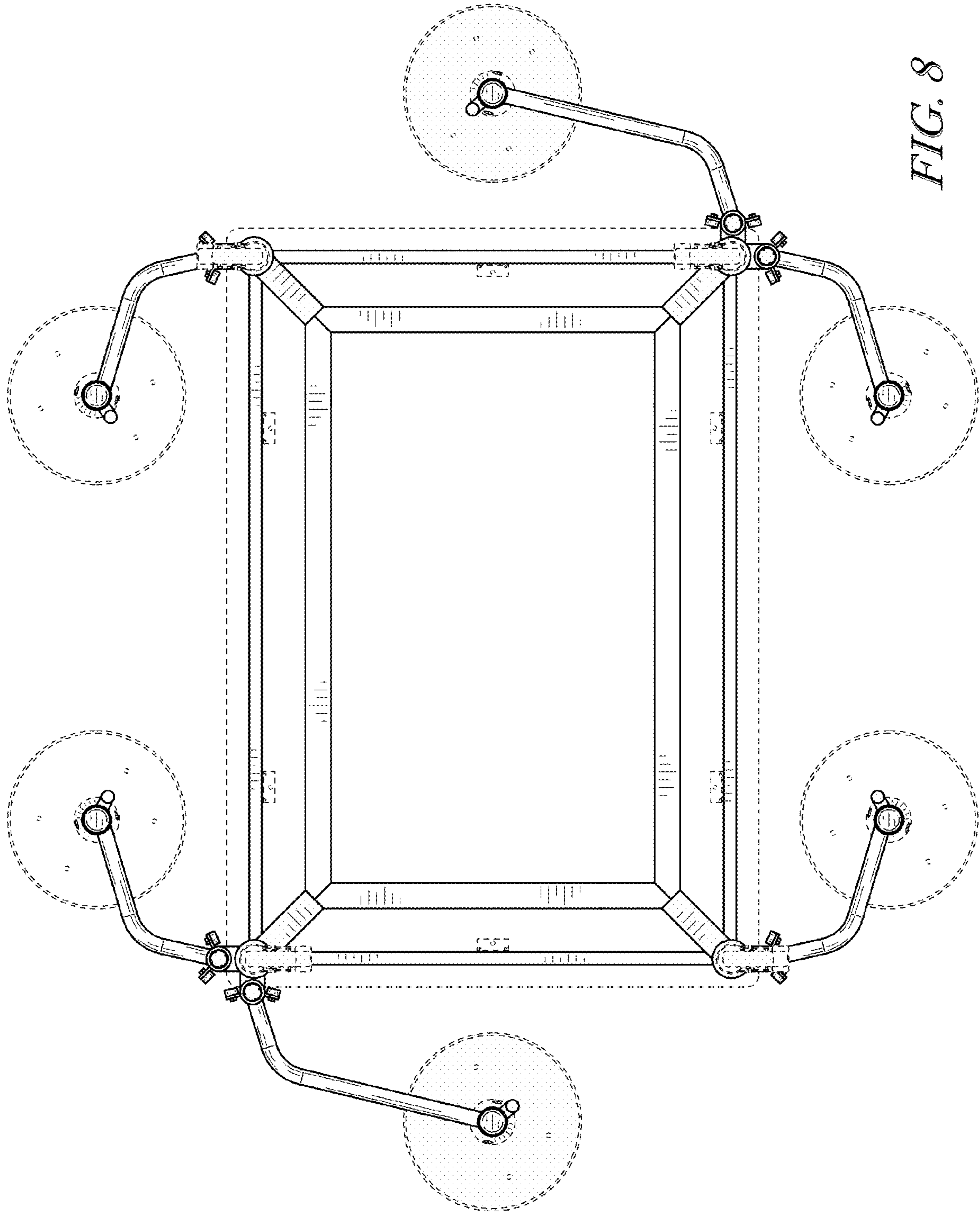


FIG. 8