



US00D909776S

(12) **United States Design Patent**  
**Samikkannu et al.**

(10) **Patent No.:** **US D909,776 S**  
(45) **Date of Patent:** **\*\* Feb. 9, 2021**

(54) **TABLE WITH ATTACHED STOOLS**

(71) Applicant: **AMTAB MANUFACTURING CORPORATION**, Bensenville, IL (US)

(72) Inventors: **Doss Samikkannu**, Bensenville, IL (US); **Gregory Rajkiewicz**, Bensenville, IL (US); **Jeremias C. Rivera, Jr.**, Bensenville, IL (US)

(73) Assignee: **AMTAB MANUFACTURING CORPORATION**, Bensenville, IL (US)

(\*\*) Term: **15 Years**

(21) Appl. No.: **29/703,713**

(22) Filed: **Aug. 29, 2019**

(51) **LOC (13) Cl.** ..... **06-01**

(52) **U.S. Cl.**  
USPC ..... **D6/337**

(58) **Field of Classification Search**  
CPC ..... A47B 3/14; A47B 3/002; A47B 2003/145;  
A47B 3/083; A47B 3/087; A47B 83/021;  
A47B 83/02; A47B 23/04; A47B  
83/0213; A47C 7/50  
See application file for complete search history.

(56) **References Cited**

**U.S. PATENT DOCUMENTS**

1,489,982	A *	4/1924	Dailey	.....	A47C 9/022 297/142
3,075,809	A *	1/1963	Wilson	.....	A47B 3/14 297/158.4
3,099,480	A *	7/1963	Wilson	.....	A47B 3/14 297/158.4
3,099,481	A *	7/1963	Bue	.....	A47B 3/14 297/158.4
3,109,678	A *	11/1963	Wilson	.....	A47B 3/14 297/158.4
3,174,796	A *	3/1965	Brown	.....	A47B 3/14 297/158.4

(Continued)

**OTHER PUBLICATIONS**

1stdibs, "All Original Milk Glass and Iron Swivel Stool Industrial Factory Table," accessed on-line at: [https://www.1stdibs.com/furniture/tables/industrial-work-tables/all-original-milk-glass-iron-swivel-stool-industrial-factory-table/id-f\\_11092743](https://www.1stdibs.com/furniture/tables/industrial-work-tables/all-original-milk-glass-iron-swivel-stool-industrial-factory-table/id-f_11092743) (accessed on Jan. 11, 2019).

(Continued)

*Primary Examiner* — W. A. Teddy Falloway

(74) *Attorney, Agent, or Firm* — Barnes & Thornburg LLP

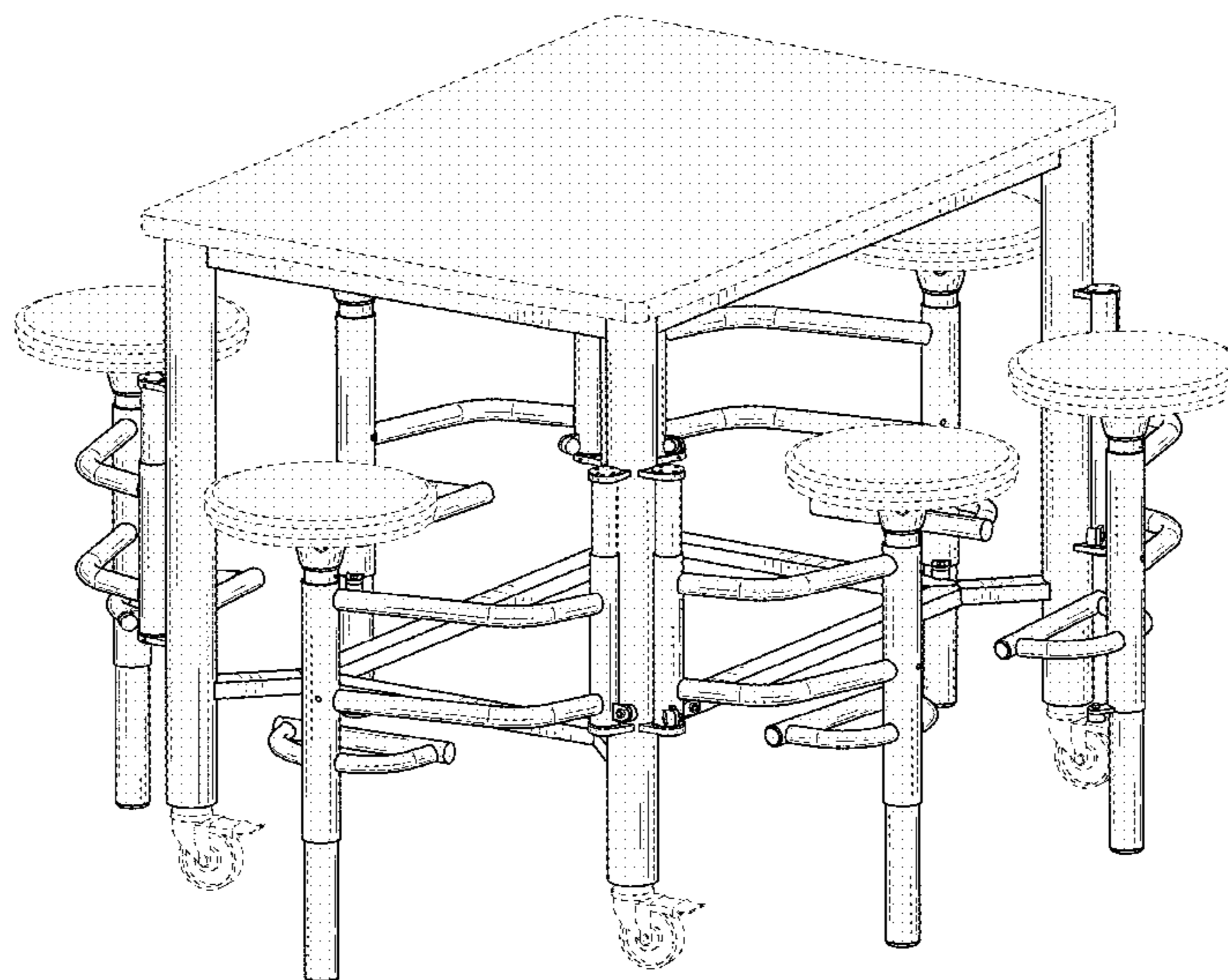
(57) **CLAIM**

We claim the ornamental design for a table with attached stools, as shown and described.

**DESCRIPTION**

FIG. 1 is an upper perspective view of a table with attached stools in accordance with our new design; FIG. 2 is another upper perspective view of the table with attached stools of FIG. 1; FIG. 3 is a front elevation view of the table with attached stools of FIG. 2; FIG. 4 is a rear elevation view of the table with attached stools of FIG. 2; FIG. 5 is a right-side elevation view of the table with attached stools of FIG. 2; FIG. 6 is a left-side elevation view of the table with attached stools of FIG. 2; FIG. 7 is a top plan view of the table with attached stools of FIG. 2; and, FIG. 8 is a bottom plan view of the table with attached stools of FIG. 2. The broken lines depict portions of the table with attached stools that form no part of the claimed design.

**1 Claim, 8 Drawing Sheets**



(56)

References Cited

U.S. PATENT DOCUMENTS

D211,886 S \* 8/1968 Benjamin ..... D6/337  
 D250,151 S \* 11/1978 Pingel ..... D6/337  
 4,542,936 A \* 9/1985 Gafken ..... A47C 7/024  
 108/105  
 4,852,499 A \* 8/1989 Ozols ..... A47B 23/04  
 108/44  
 D413,734 S \* 9/1999 Bue ..... D6/337  
 6,065,802 A \* 5/2000 Bue ..... A47B 3/14  
 108/168  
 D456,155 S \* 4/2002 DeVriendt ..... D6/337  
 D467,437 S \* 12/2002 Ott ..... D6/337  
 D467,438 S \* 12/2002 Ott ..... D6/337  
 D478,732 S \* 8/2003 Pajerski ..... D6/337  
 D479,406 S \* 9/2003 Pajerski ..... D6/337  
 D479,773 S \* 9/2003 Pajerski ..... D6/337  
 D514,830 S \* 2/2006 Bue ..... D6/337  
 7,171,911 B1 \* 2/2007 Rivera, Jr. .... A47B 3/14  
 108/115  
 D573,360 S \* 7/2008 Bue ..... D6/337  
 D621,172 S \* 8/2010 Rivera, Jr. .... D6/338  
 D637,826 S \* 5/2011 DeVriendt ..... D6/338  
 D639,572 S \* 6/2011 Frobose ..... D6/338  
 D666,014 S \* 8/2012 Gruszynski ..... D6/353  
 D668,464 S \* 10/2012 Du ..... D6/353  
 D670,089 S \* 11/2012 Frobose ..... D6/338  
 D688,481 S \* 8/2013 Lee ..... D6/360  
 8,517,472 B1 \* 8/2013 Proctor ..... A47C 7/50  
 297/423.1  
 D802,945 S \* 11/2017 Rivera, Jr. .... D6/337  
 D832,604 S \* 11/2018 Samikkannu ..... D6/337  
 10,278,495 B2 5/2019 Byrne et al.  
 10,531,741 B2 \* 1/2020 Rajkiewicz ..... A47B 3/14  
 2002/0129562 A1 \* 9/2002 Schmeing ..... A47B 3/14  
 52/36.1  
 2005/0161984 A1 \* 7/2005 Bue ..... A47B 3/087  
 297/158.4

2007/0241591 A1 \* 10/2007 Bue ..... A47C 9/022  
 297/142  
 2008/0116724 A1 \* 5/2008 Dickey ..... A47B 3/14  
 297/158.4  
 2010/0052398 A1 \* 3/2010 Hanusiak ..... A47C 9/10  
 297/451.4  
 2011/0041738 A1 \* 2/2011 Rivera, Jr. .... A47B 3/083  
 108/132  
 2012/0013152 A1 \* 1/2012 Bradley ..... A47B 3/14  
 297/135  
 2016/0302576 A1 \* 10/2016 Dickey ..... A47C 7/16  
 2017/0245632 A1 \* 8/2017 Dickey ..... A47B 3/087  
 2019/0038025 A1 \* 2/2019 Byrne ..... A47C 9/022  
 2019/0059596 A1 \* 2/2019 Wallace ..... A47C 7/029

OTHER PUBLICATIONS

Istdibs, "Cast Iron Swing Swivel Stool Industrial Factory Table with Four Stools," accessed on-line at: [https://www.1stdibs.com/furniture/tables/industrial-work-tables/cast-iron-swing-swivel-stool-industrial-factory-table-four-stools/id-f\\_6162353](https://www.1stdibs.com/furniture/tables/industrial-work-tables/cast-iron-swing-swivel-stool-industrial-factory-table-four-stools/id-f_6162353) (accessed on Jan. 11, 2019).  
 Get Back Inc., "Industrial Swing-out-seat Restaurant Dining Table," accessed on-line at: <https://getbackinc.com/product/communal-dining-table> (accessed on Jan. 11, 2019).  
 Get Back Inc., "Swing Out 6-Seat Dining Table Cast Iron & Wood, with Metal Top," accessed on-line at: <https://web.archive.org/web/20170921184130/http://www.getbackinc.com> (accessed on Jan. 11, 2019).  
 OFM, "Model 9004 Endure Standing Height Table with Seats," Brochure (Jul. 2018).  
 OFM, "Model 9244 Endure Student Table," Brochure (Mar. 2018).  
 OFM, "Model 9294 Endure Student Table," Brochure (Mar. 2018).  
 Palmer Hamilton, "The Rally Table," Brochure (available prior to the filing of the present application).

\* cited by examiner

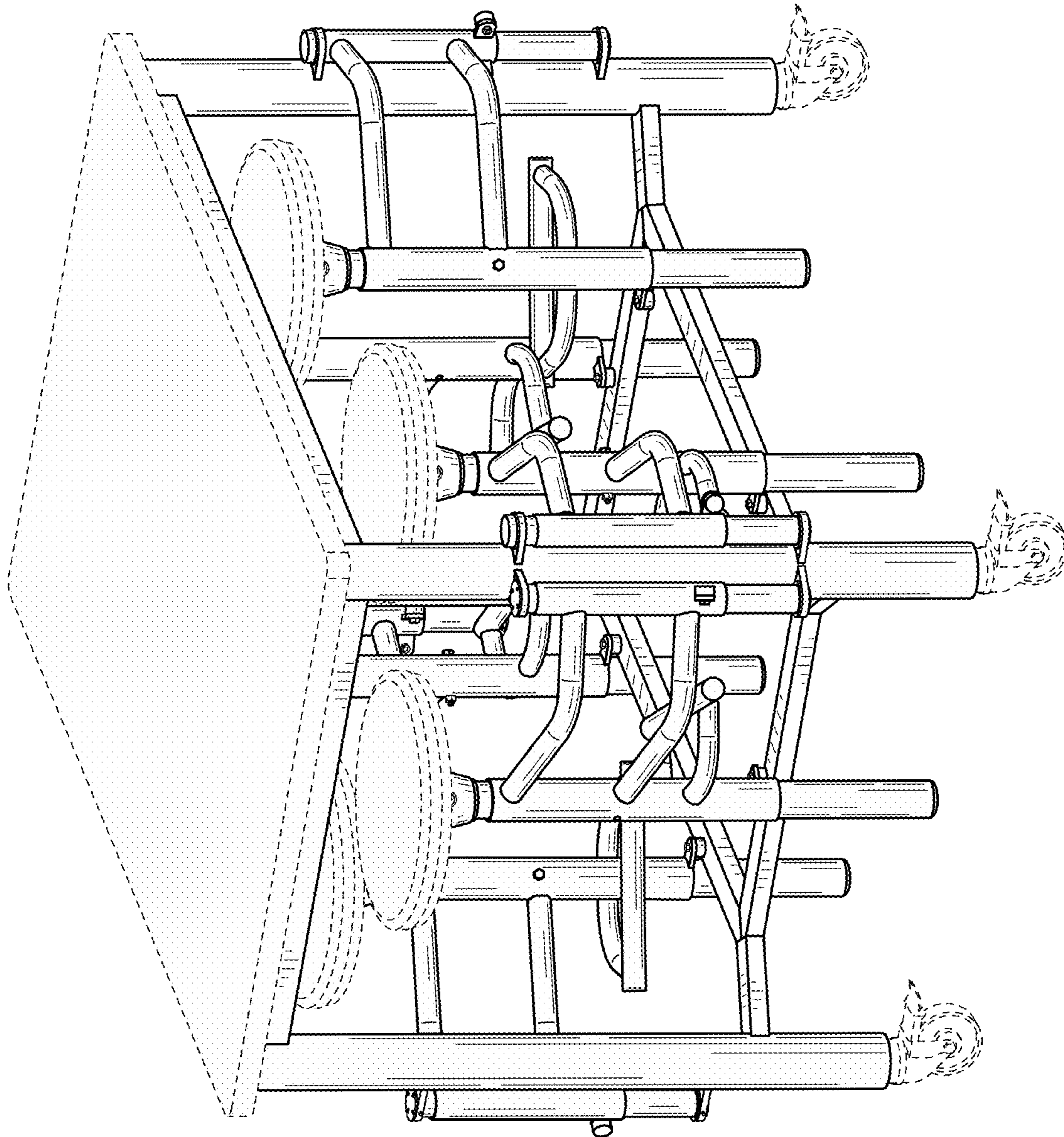


FIG. 1

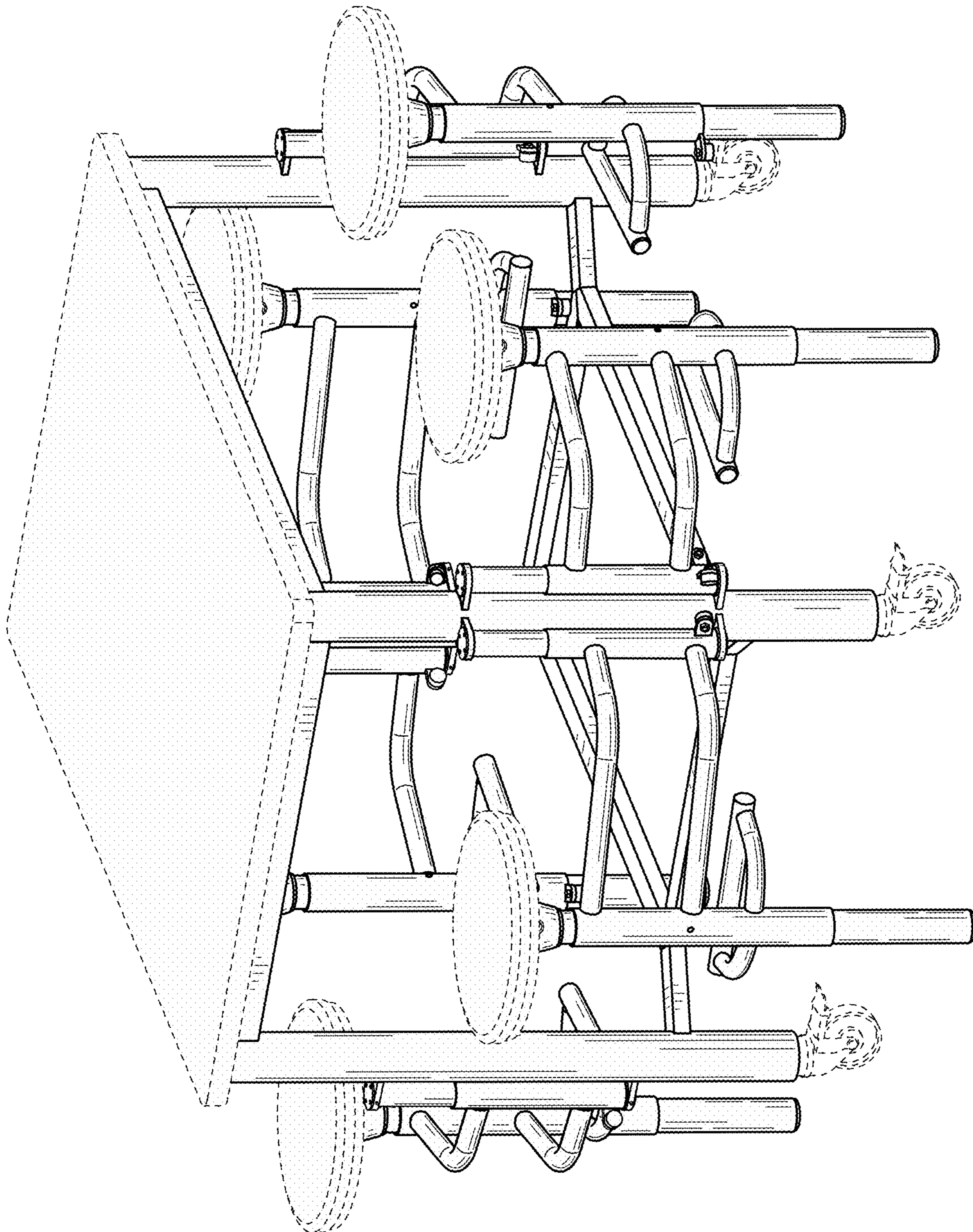


FIG. 2

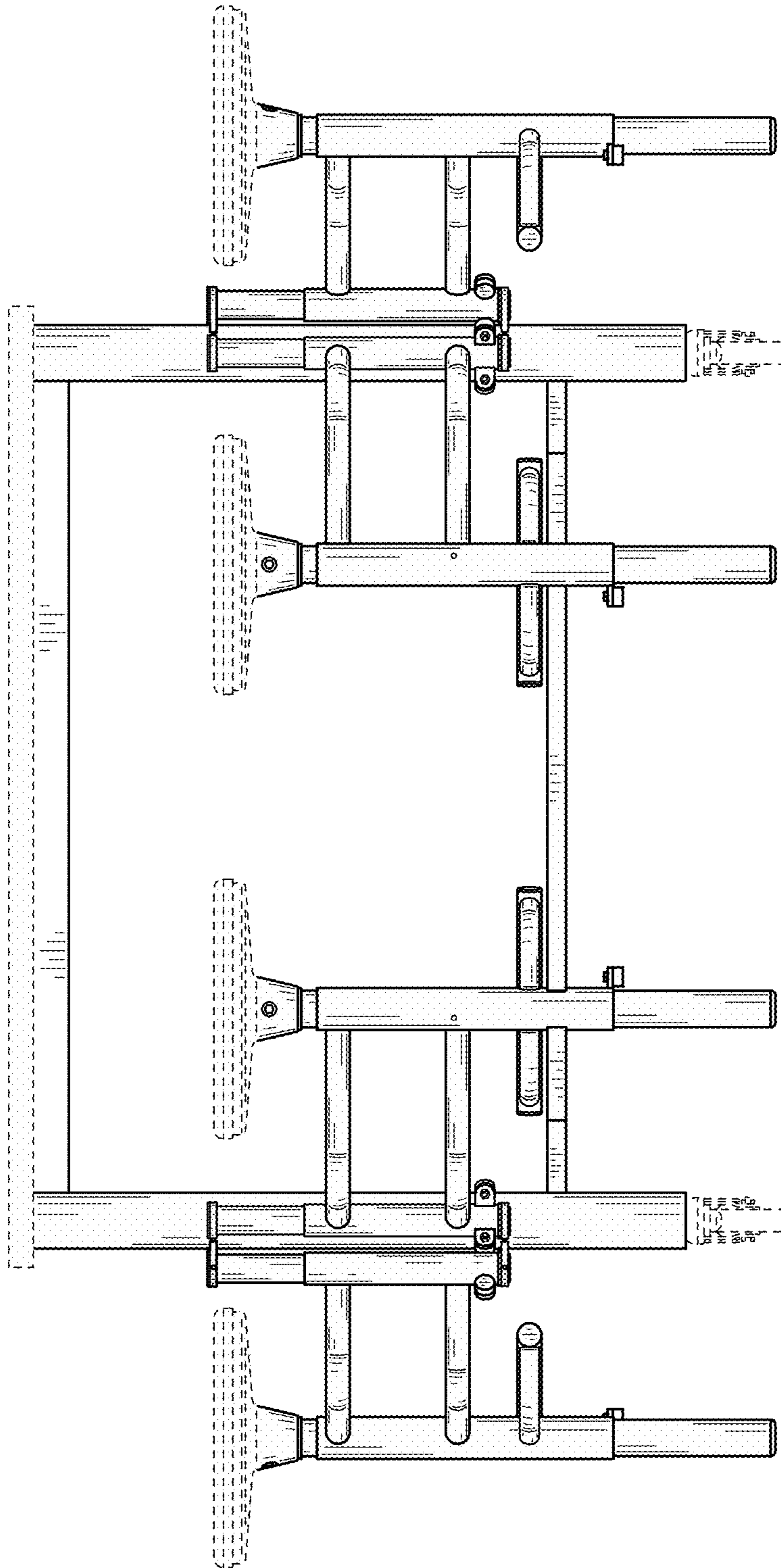


FIG. 3

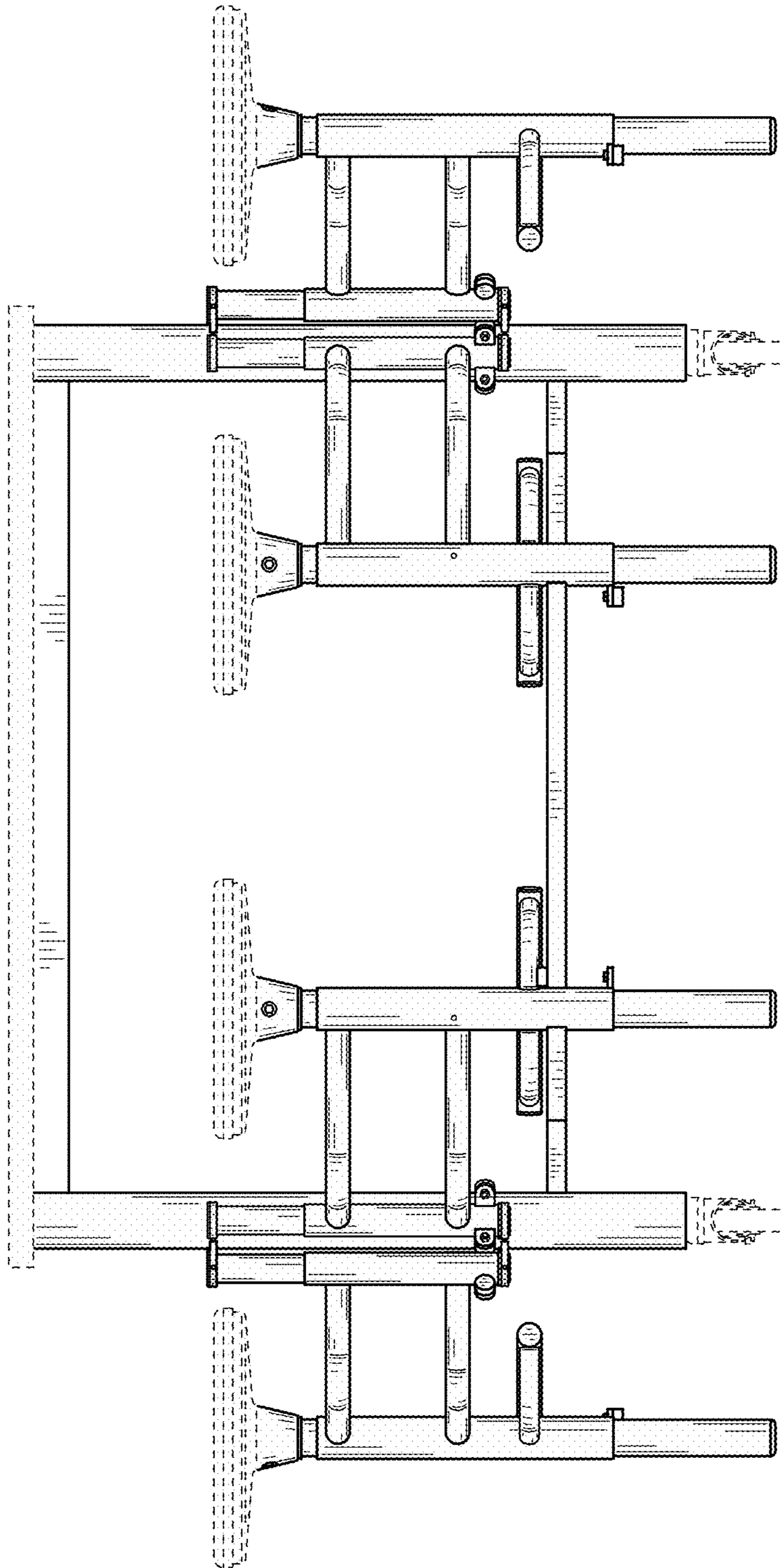


FIG. 4

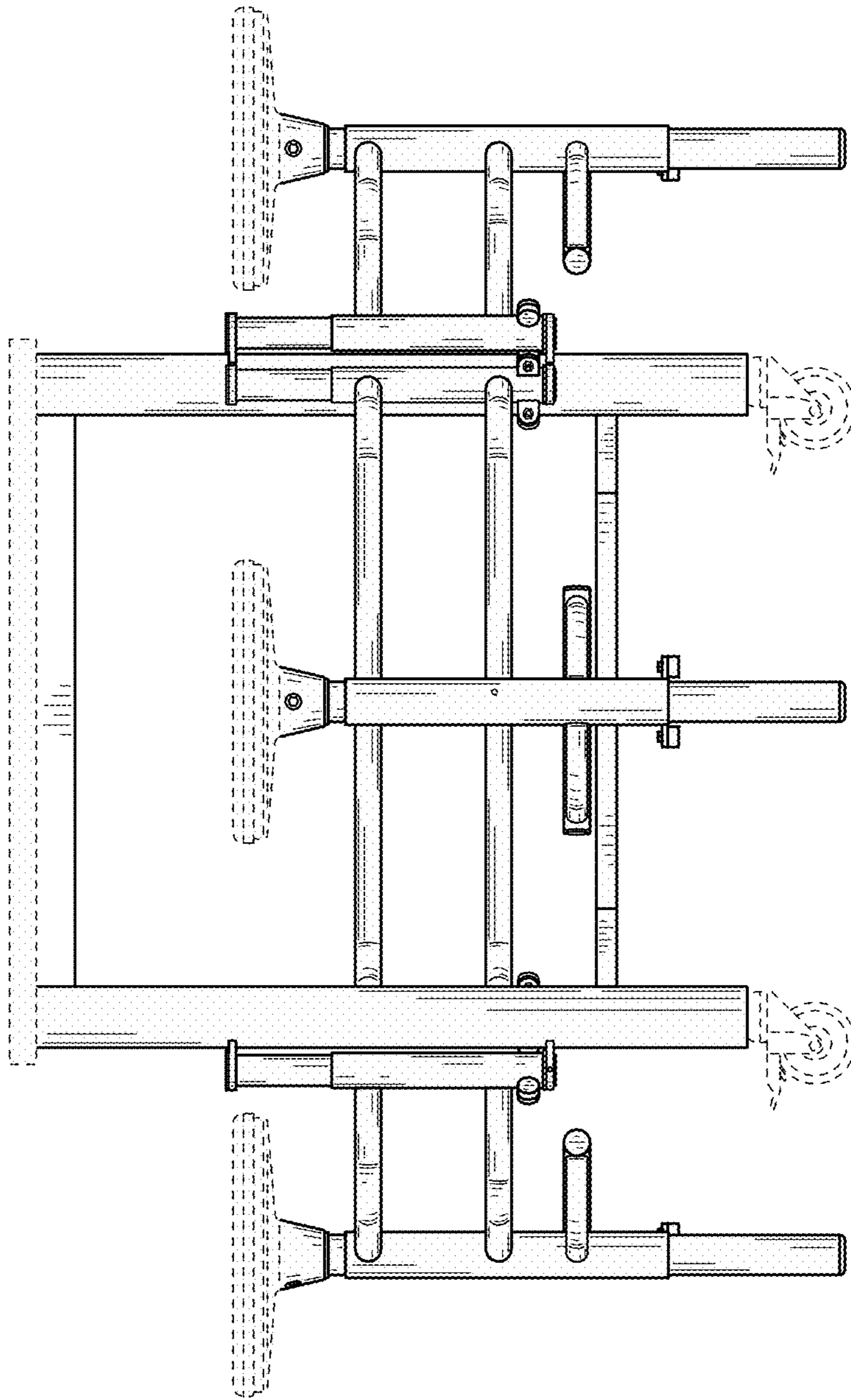


FIG. 5

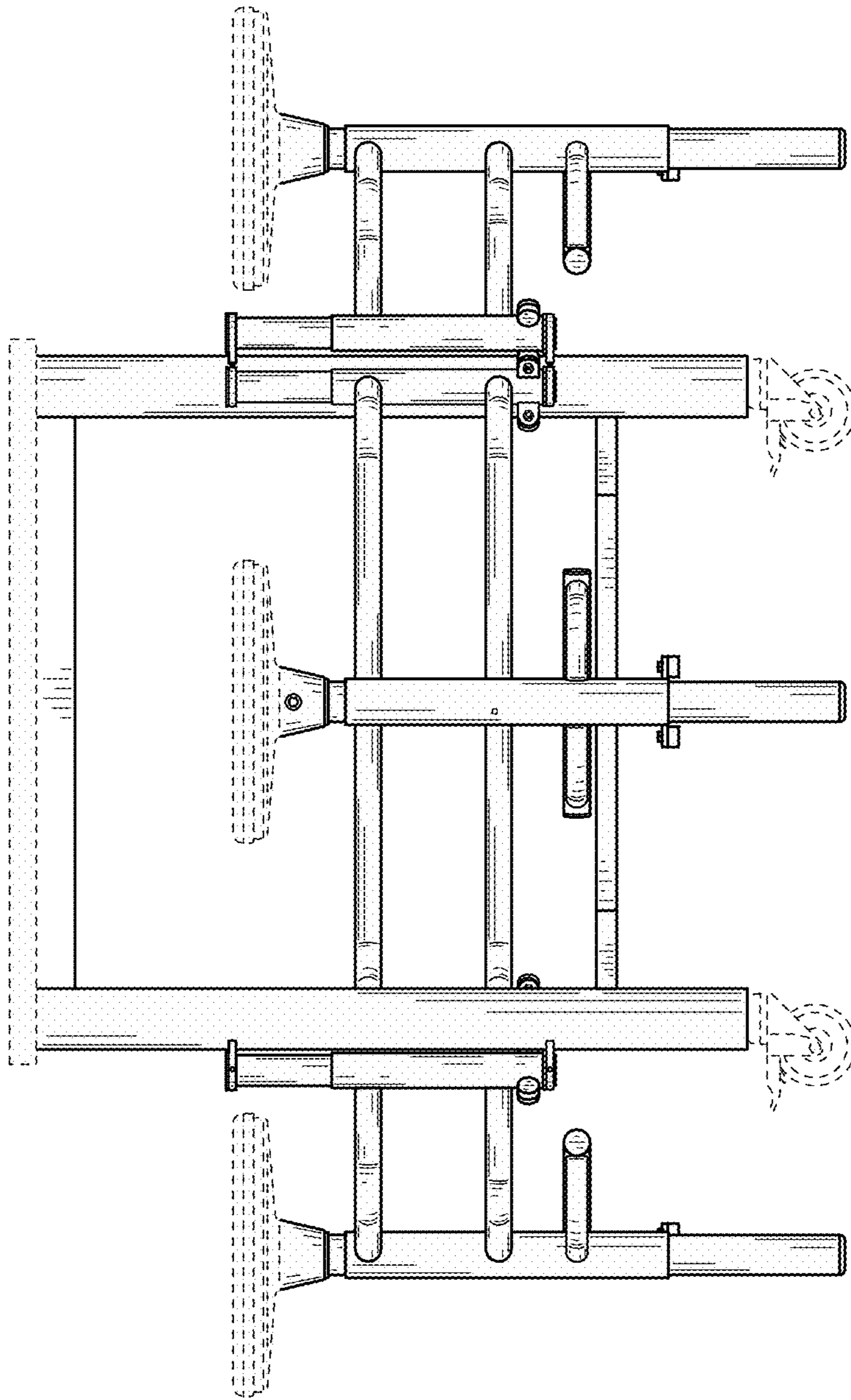


FIG. 6



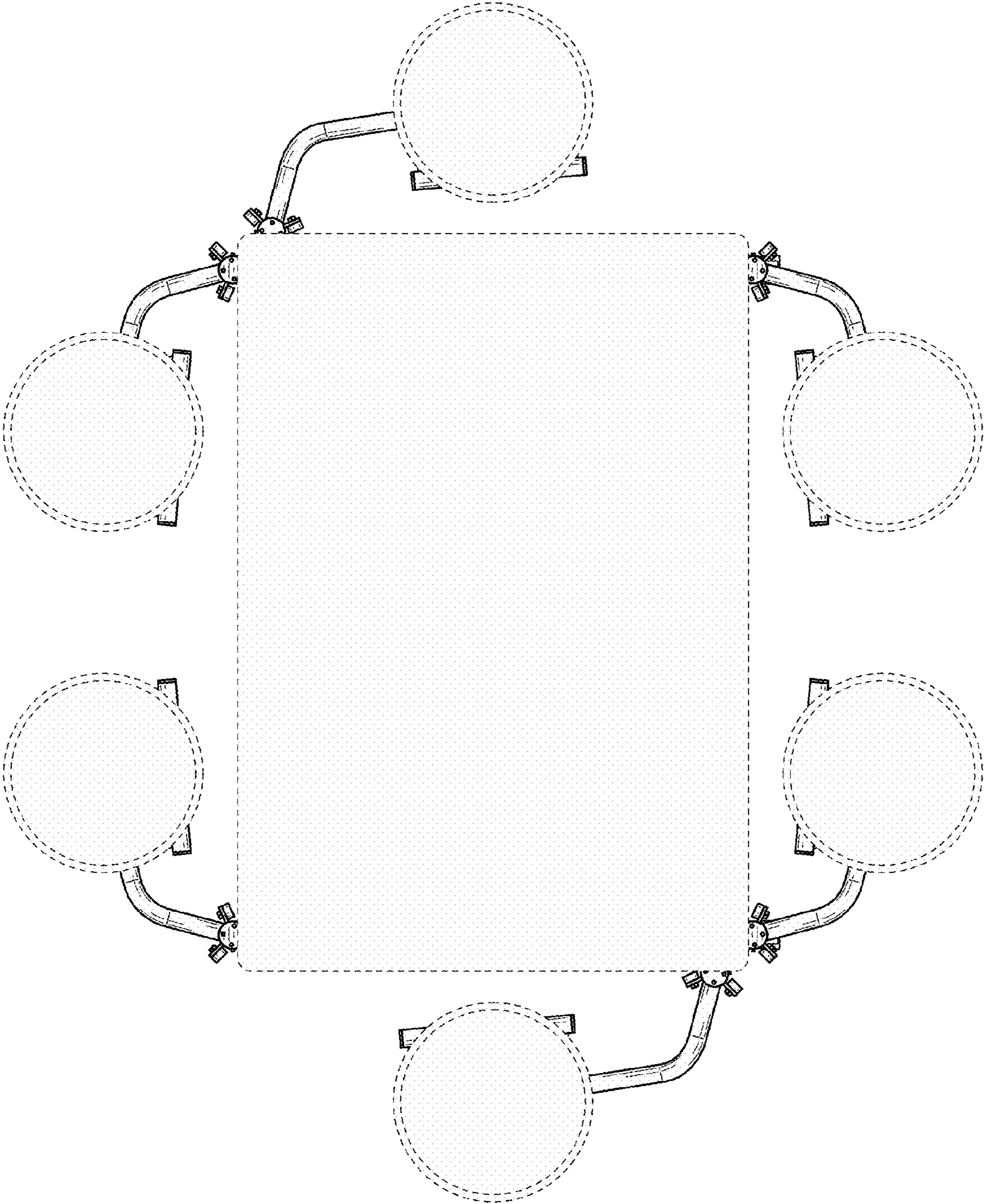


FIG. 7

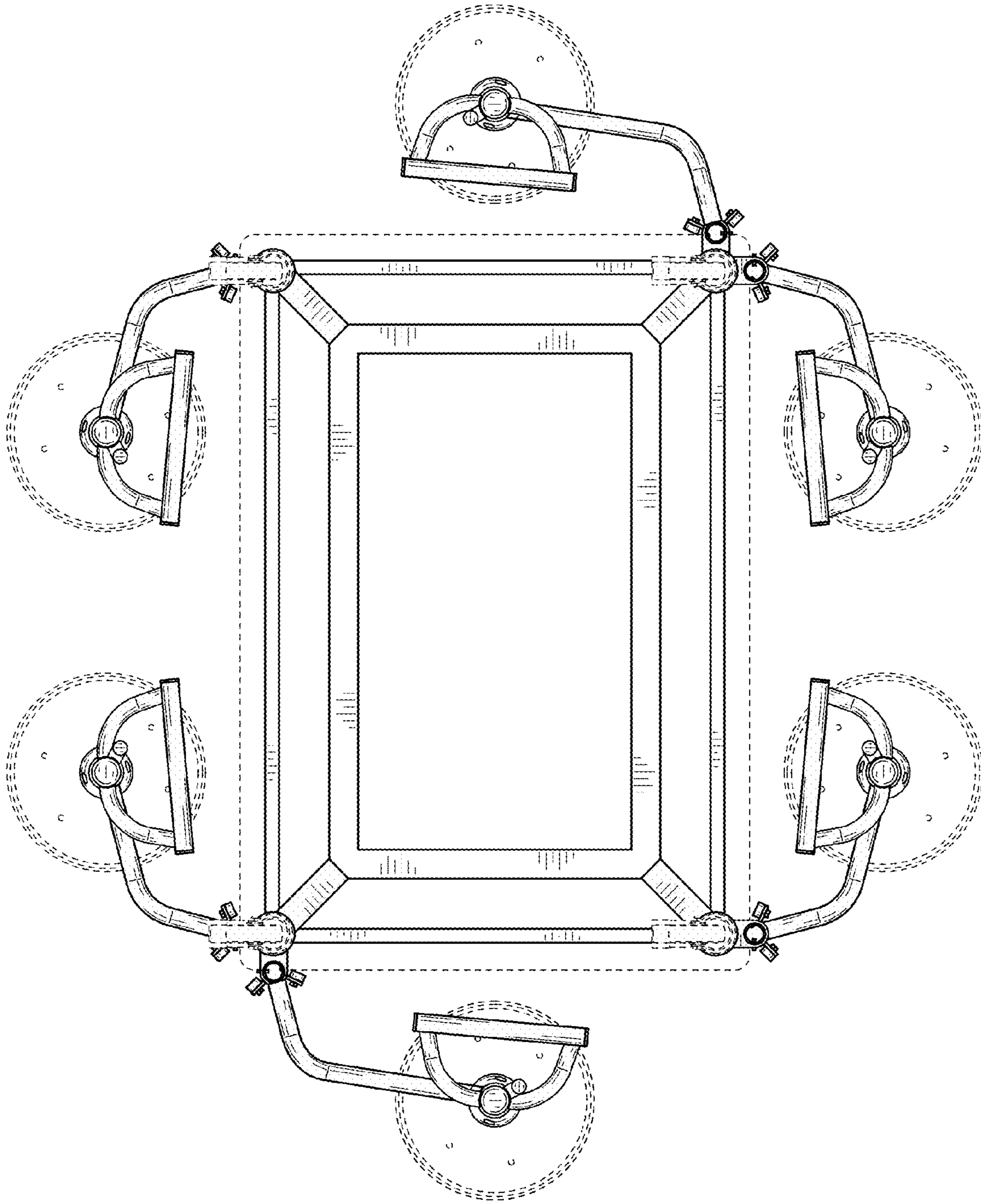


FIG. 8