



US00D909773S

(12) **United States Design Patent** (10) **Patent No.:** **US D909,773 S**
Rotenstreich et al. (45) **Date of Patent:** **** Feb. 9, 2021**

- (54) **SEAT**
- (71) Applicant: **Artemis Marketing Corp.**, Seffner, FL (US)
- (72) Inventors: **Jeffrey Rotenstreich**, Atlanta, GA (US); **Shawn Cantrell**, Atlanta, GA (US); **Steve Barr**
- (73) Assignee: **Artemis Marketing Corp.**, Seffner, FL (US)
- (**) Term: **15 Years**
- (21) Appl. No.: **29/655,596**
- (22) Filed: **Jul. 5, 2018**
- (51) **LOC (13) Cl.** **06-01**
- (52) **U.S. Cl.**
USPC **D6/334; D6/371**
- (58) **Field of Classification Search**
USPC D6/334, 335, 349, 353, 354, 356, 360, D6/361, 362, 364, 365, 366, 371, 374, D6/375, 377, 379, 380, 381
CPC A47C 4/02; A47C 4/04; A47C 4/52; A47C 11/00; A47C 15/002; A47C 1/00; A47C 1/03; A47C 7/002
See application file for complete search history.

(56) **References Cited**

U.S. PATENT DOCUMENTS

D180,220 S *	5/1957	Budnick	A47C 4/028	
					D6/344
D182,436 S *	4/1958	Popkin		D6/344
D228,164 S *	8/1973	Long		D6/334
D230,920 S *	3/1974	Fisher		D6/360
D235,284 S *	6/1975	Gill		D6/334
D258,100 S *	2/1981	Blowers		D6/364
D276,670 S *	12/1984	Tornero		D6/360
D351,509 S *	10/1994	Goldberg		D6/334
D376,265 S *	12/1996	Lewis		D6/334

D380,093 S *	6/1997	Lewis	D6/334
D509,080 S *	9/2005	Lowman	D6/367
D542,571 S	5/2007	Bryant et al.	D6/492
D549,477 S	8/2007	Bryant et al.	D6/369
D553,381 S	10/2007	Warren	D6/381
D600,032 S *	9/2009	Natuzzi	D6/364
D609,033 S	2/2010	Palumbo	D6/492
D626,757 S *	11/2010	Crockett	D6/334

(Continued)

OTHER PUBLICATIONS

Conn's Home Plus, Artemis Recliner, date unknown, found on Oct. 1, 2020 at <https://www.conns.com/artemis-recliner.html> (Year: 2020).*

(Continued)

Primary Examiner — Karen S Acker

(74) *Attorney, Agent, or Firm* — MacCord Mason PLLC

(57) **CLAIM**

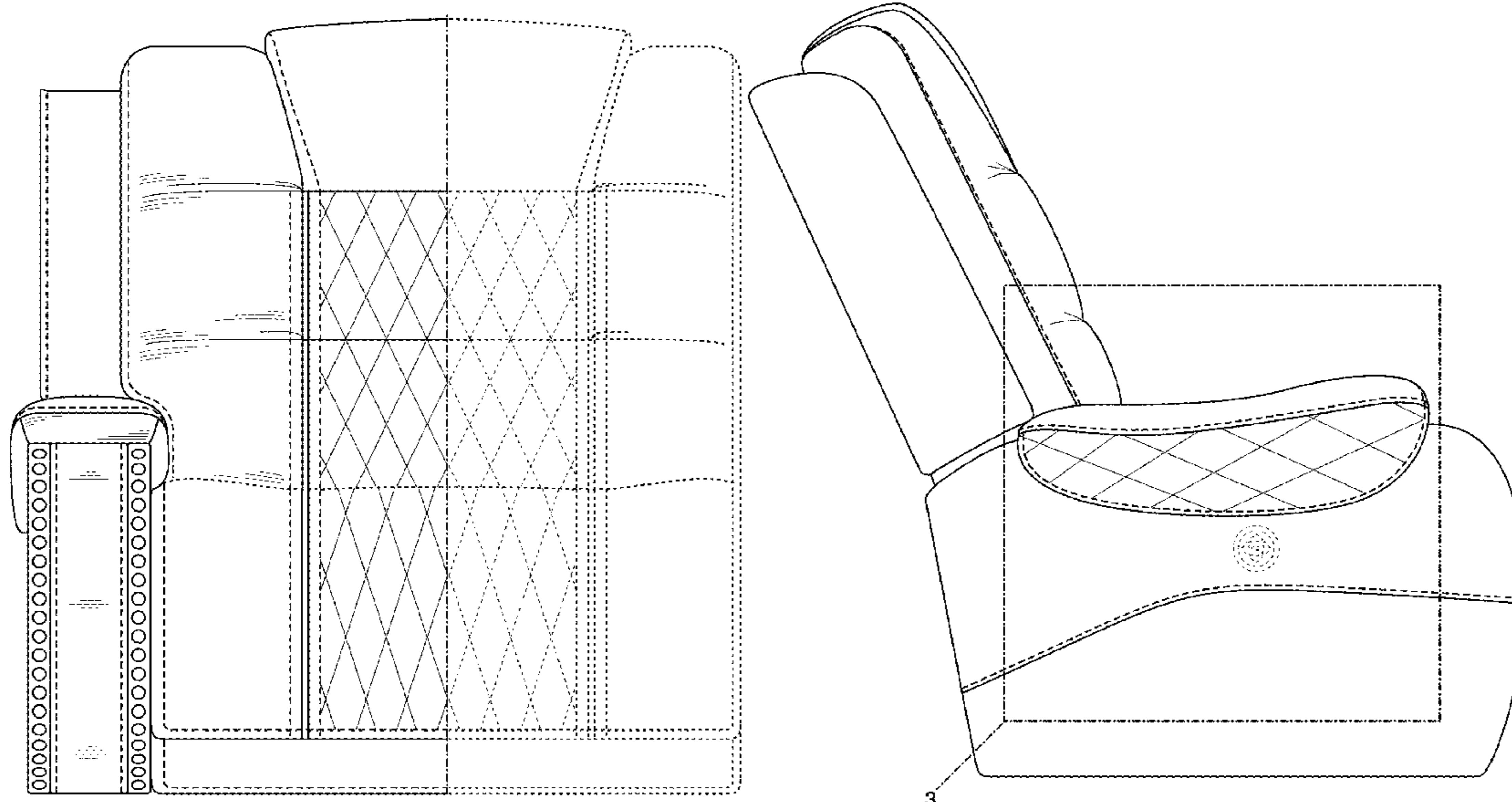
The ornamental design for a seat, as shown and described.

DESCRIPTION

FIG. 1 is a front view of a seat showing my new design; FIG. 2 is a side view thereof; FIG. 3 is an enlarged detail view of area 3 circumscribed within FIG. 2; FIG. 4 is a back view; and, FIG. 5 is a top view; and.

The dot dash dot broken lines depict the boundaries of the claim and form no part thereof. The evenly spaced broken lines depict features of the seat that form no part of the claimed design. In FIG. 5, the seat portion of the article adjacent to shaded surfaces and the broken lines defining it depict a portion of the article that forms no part of the claimed design. The dot dash dot broken lines surrounding FIG. 3 and circumscribed within FIG. 2 denote the boundaries of the enlarged detail and form no part of the claimed design.

1 Claim, 5 Drawing Sheets



(56)

References Cited

U.S. PATENT DOCUMENTS

D787,841	S	*	5/2017	Dix	D6/334
D793,100	S	*	8/2017	Dix	D6/334
D824,684	S	*	8/2018	Dix	D6/367
D824,685	S	*	8/2018	Dix	D6/367
D848,167	S	*	5/2019	Rowe	D6/356
D857,413	S	*	8/2019	Rowe	D6/356
2005/0035632	A1	*	2/2005	Tseng	A47C 1/0355 297/83
2019/0053629	A1	*	2/2019	Griggs, Jr.	A47C 4/028

OTHER PUBLICATIONS

Amazon, RHF Diamond Recliner cover, 2019, found on Oct. 1, 2020 at https://www.amazon.com/Diamond-Oversized-Recliner-Slipcovers-Recliner-Oversized/dp/B07P81ZD1D/ref=cm_cr_ar_p_d_product_top?ie=UTF8 (Year: 2019).*

* cited by examiner

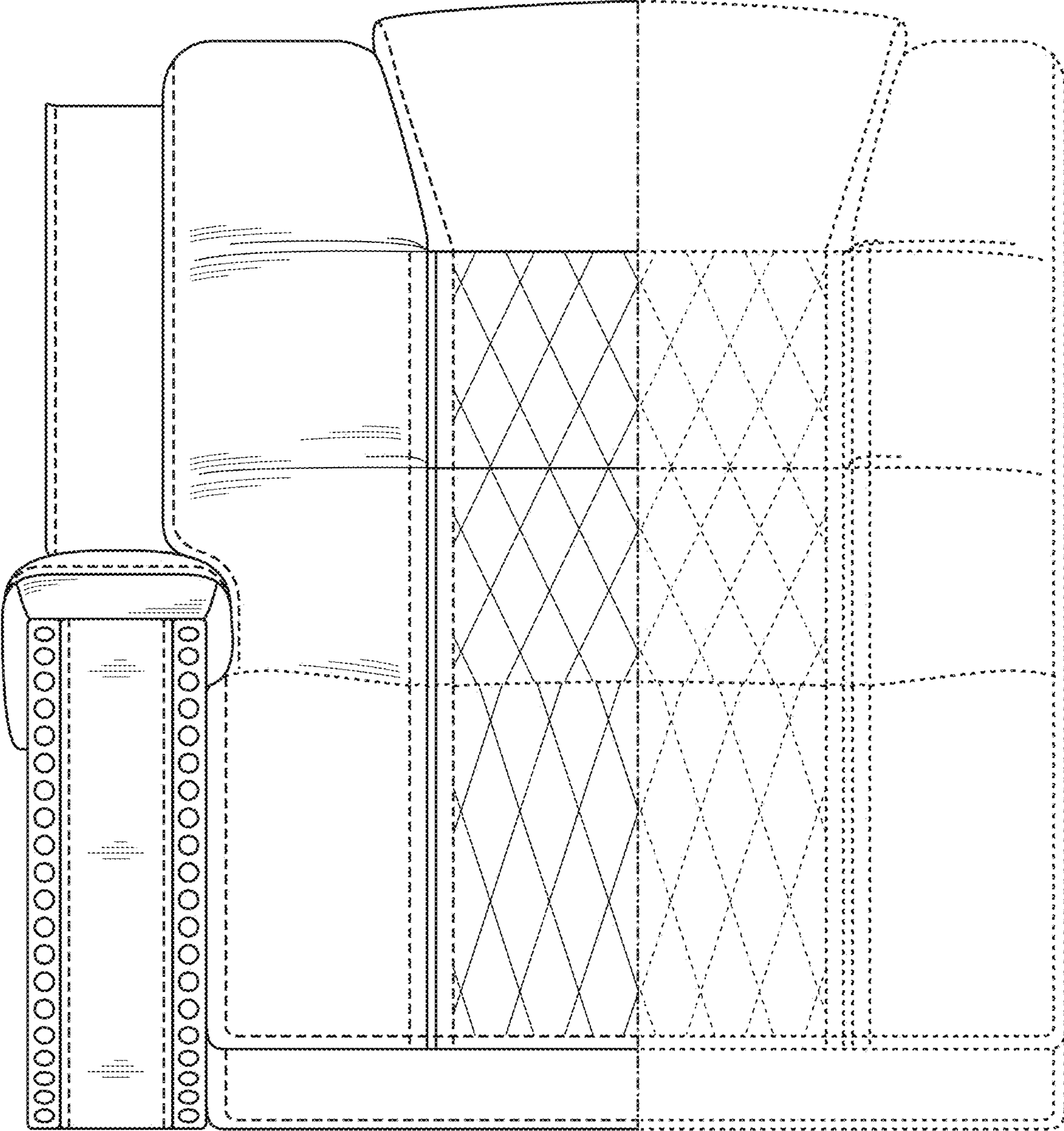


FIG. 1

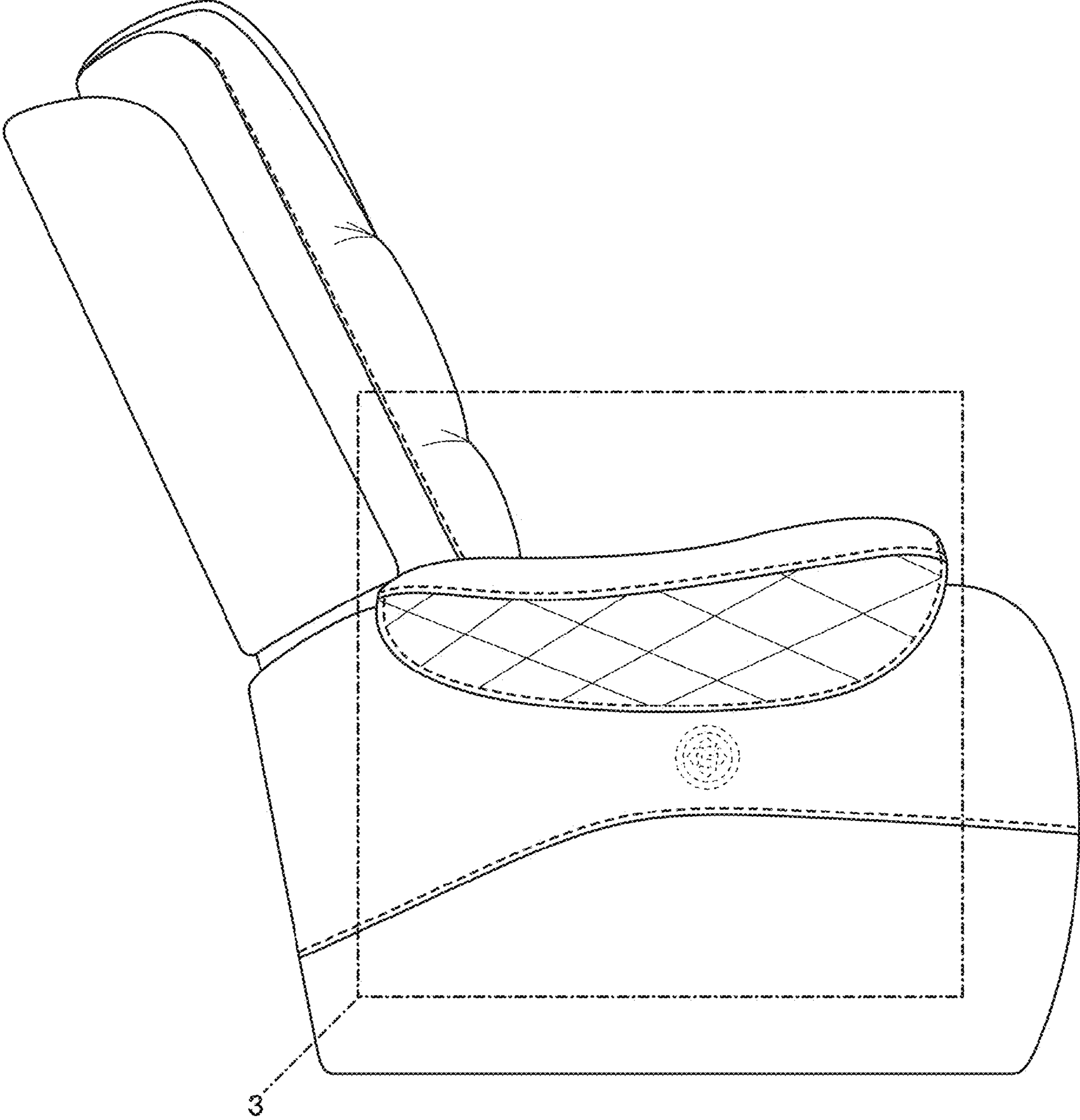


FIG. 2

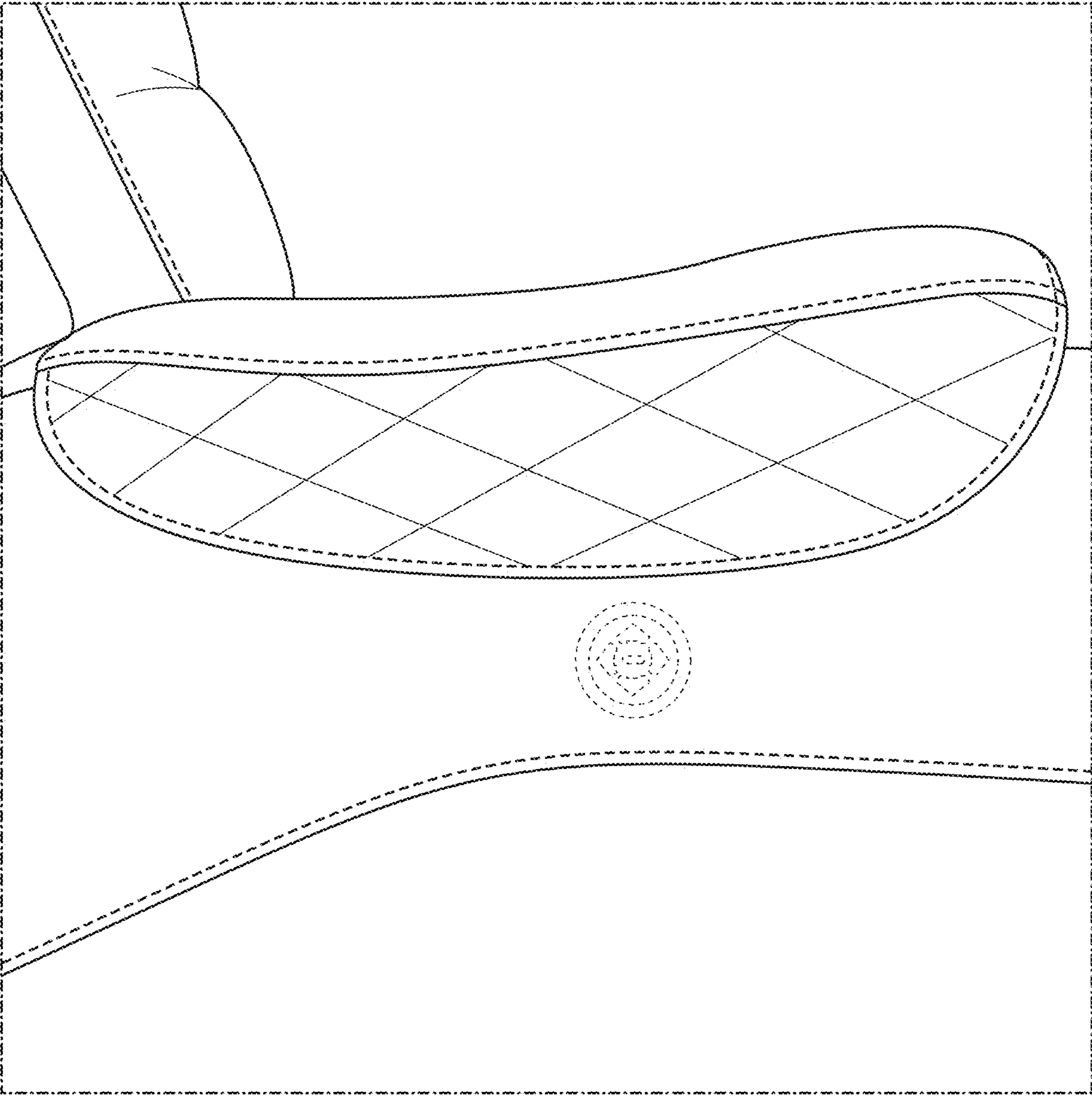


FIG. 3

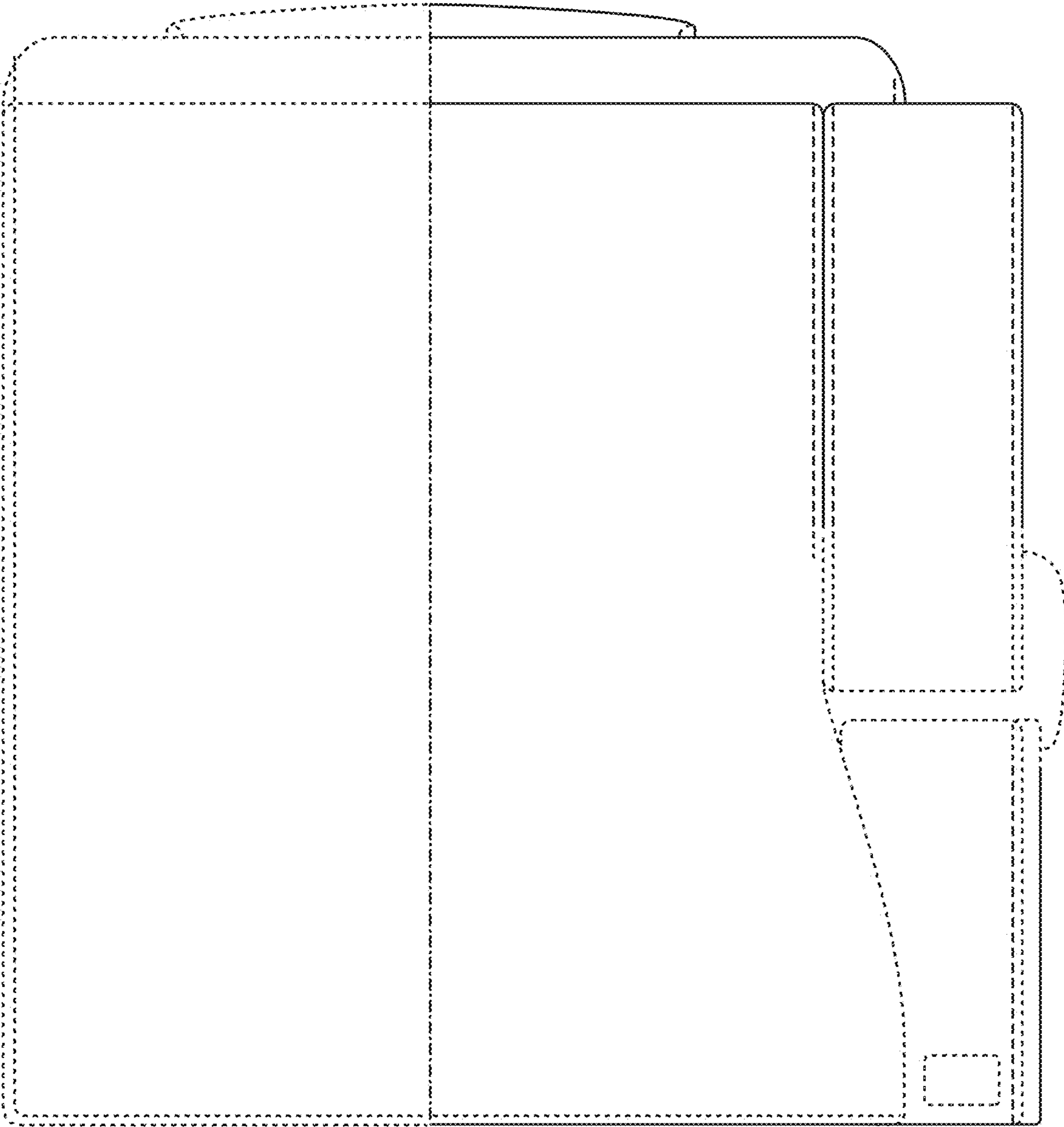


FIG. 4

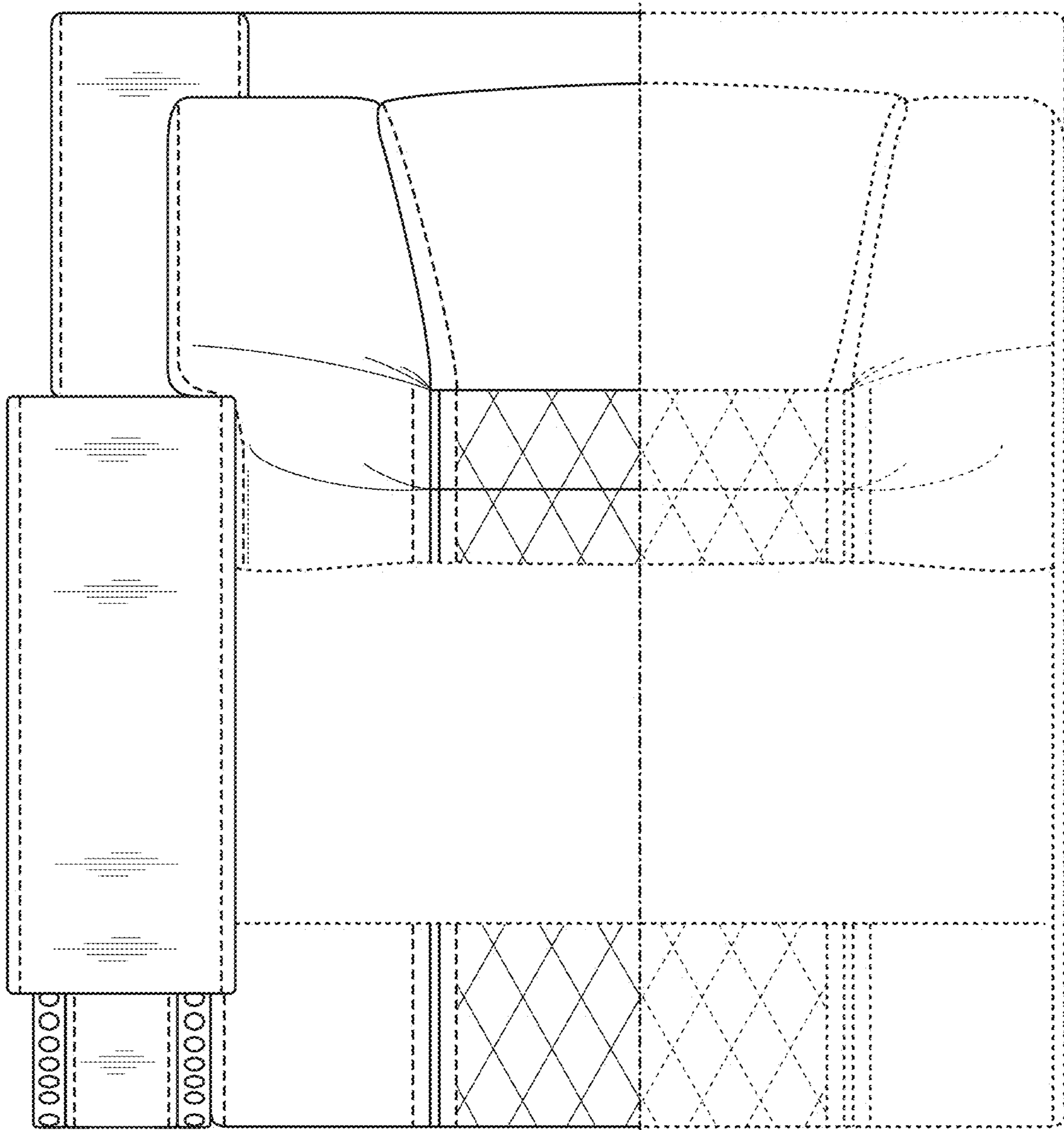


FIG. 5