



US00D909772S

(12) **United States Design Patent** (10) **Patent No.:** **US D909,772 S**
Lu (45) **Date of Patent:** **** Feb. 9, 2021**

(54) **SET OF GUARDRAILS FOR A CHILD'S BED**
(71) Applicant: **Shanghai Cang Yue Industrial Development Co., Ltd., Shanghai (CN)**
(72) Inventor: **Zaoqi Lu, Shanghai (CN)**
(73) Assignee: **SHANGHAI CANG YUE INDUSTRIAL DEVELOPMENT CO., LTD., Shanghai (CN)**

5,241,716 A * 9/1993 Kohus A47D 13/063
16/354
5,581,827 A * 12/1996 Fong A47D 13/063
5/98.1
D397,882 S * 9/1998 Wu D6/331
5,845,349 A * 12/1998 Tharalson A47D 7/04
5/99.1
6,119,288 A * 9/2000 Hendrickson A47D 13/063
5/97
6,148,456 A * 11/2000 Tharalson A47C 29/003
5/11
D434,914 S * 12/2000 Wang D6/331
(Continued)

(**) Term: **15 Years**

(21) Appl. No.: **29/747,239**

(22) Filed: **Aug. 20, 2020**

(51) **LOC (13) Cl.** **06-06**

(52) **U.S. Cl.**
USPC **D6/331**

(58) **Field of Classification Search**
USPC D6/331, 332, 333, 329, 385, 390, 391,
D6/703, 703.1, 705.4, 705.5, 708, 708.16,
D6/709.22, 713, 714, 718.26, 718.28,
D6/718.3, 719; D30/108
CPC .. A47D 13/063; A47D 13/066; A47D 11/005;
A47D 13/06; A47D 7/00
See application file for complete search history.

(56) **References Cited**

U.S. PATENT DOCUMENTS

1,264,734 A * 4/1918 Williams A47D 7/00
5/97
2,784,420 A * 3/1957 Moltane A47D 13/066
5/98.1
3,924,280 A * 12/1975 Vaiano A47D 13/063
5/98.1
D244,890 S * 7/1977 Adams D6/331
D281,745 S * 12/1985 Pandorf D6/331
4,819,285 A * 4/1989 Feters A47D 9/005
5/99.1
D304,523 S * 11/1989 Dillner D6/391

OTHER PUBLICATIONS

“3 Set King Size Bed Safety Bed Guardrail.” Found online Nov. 3, 2020 at www.amazon.com. Product question answered Feb. 10, 2019. Retrieved from URL: https://www.amazon.com/ask/questions/asin/B07HPFVFD3/2/ref=ask_q1_psf_q1_hza?sort=SUBMIT_DATE&isAnswered=true (Year: 2019).*

(Continued)

Primary Examiner — Mary Ann Calabrese
Assistant Examiner — Katelin G Kloberg
(74) *Attorney, Agent, or Firm* — Frank Gao

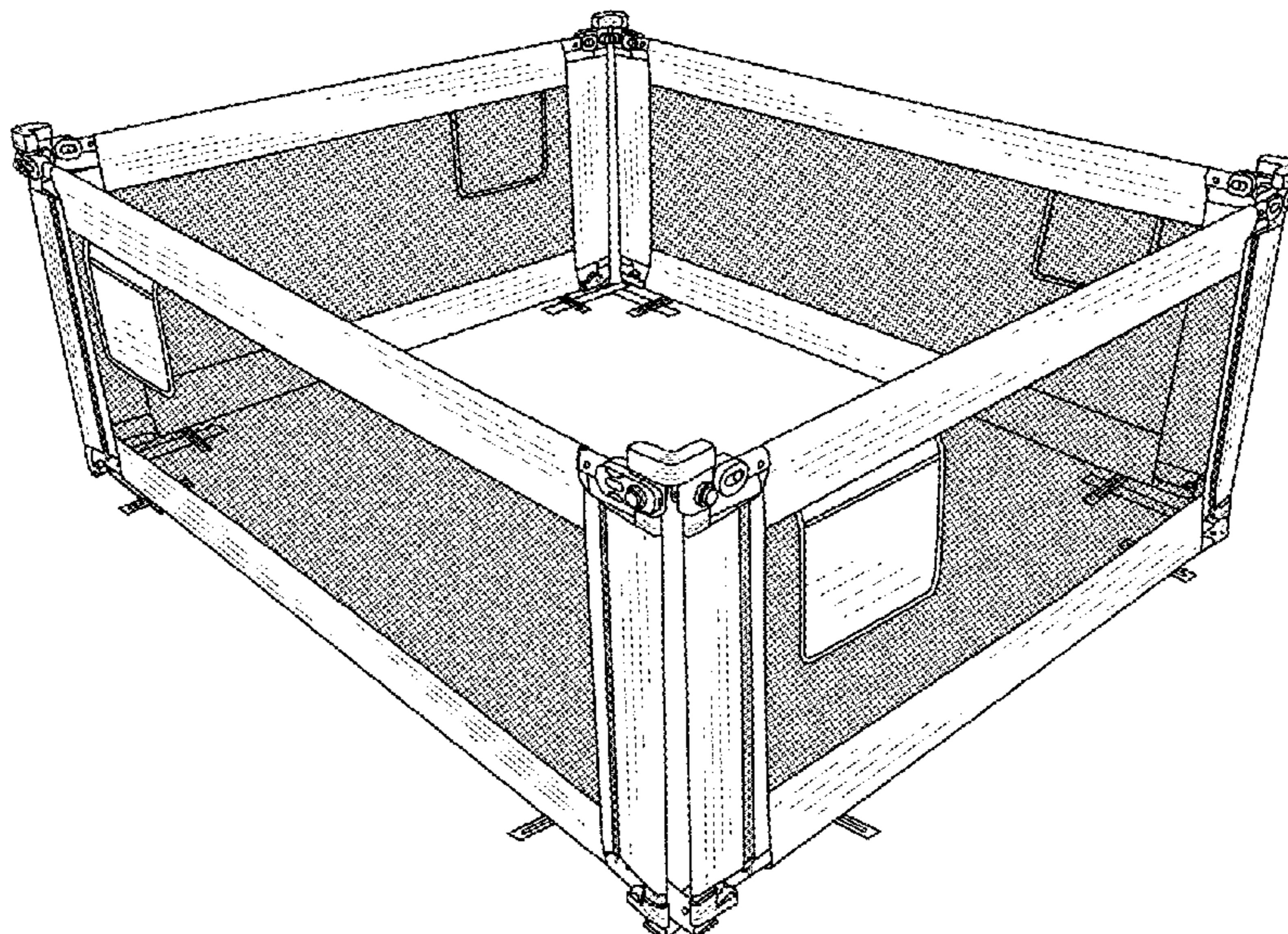
(57) **CLAIM**

The ornamental design for a set of guardrails for a child's bed, as shown and described.

DESCRIPTION

FIG. 1 is a perspective view of a set of guardrails for a child's bed showing our new design; FIG. 2 is a left side elevational view thereof; FIG. 3 is a right side elevational view thereof; FIG. 4 is a front elevational view thereof; FIG. 5 is a rear elevational view thereof; FIG. 6 is a top plan view thereof; and, FIG. 7 is a bottom plan view thereof.

1 Claim, 7 Drawing Sheets



(56)

References Cited

U.S. PATENT DOCUMENTS

6,421,850 B1 * 7/2002 Welsh, Jr. A47D 13/063
5/98.1
D462,532 S * 9/2002 Hartenstine D6/331
7,055,191 B1 * 6/2006 Chen A47D 7/04
5/93.2
D554,871 S * 11/2007 Volk D6/331
D572,961 S * 7/2008 Costa D6/610
7,401,366 B1 * 7/2008 Costa A47D 13/06
220/495.11
8,209,798 B2 * 7/2012 Schwartz A47D 7/00
5/100
8,955,174 B1 * 2/2015 Lawlor A47D 9/005
5/93.1
D734,041 S 7/2015 Nassif
D802,974 S 11/2017 Marsden
10,080,444 B2 * 9/2018 Whitman A47D 13/061
10,314,410 B2 * 6/2019 Myers A47D 13/063

D859,857 S 9/2019 Chai
D862,913 S 10/2019 Jin
2005/0217026 A1* 10/2005 Ramirez A47D 13/066
5/93.1

OTHER PUBLICATIONS

“Surpcos Bed Rails for Toddlers.” Found online Nov. 3, 2020 at www.amazon.com. Product question answered Sep. 11, 2019. Retrieved from URL: <https://www.amazon.com/SURPCOS-Toddlers-Upgraded-Guardrail-Full-Size/dp/B07W4CKZND?th=1> (Year: 2019).*
“Zehnhase Kids Bed Rail.” Found online Nov. 3, 2020 at www.amazon.co.uk. Product first available Mar. 21, 2019. Retrieved from URL: <https://www.amazon.co.uk/ZEHNHASE-Vertical-Protection-Anti-Fall-Guardrail/dp/B07PYN7NWK> (Year: 2019).*
“Lingky Baby Bed Rail.” Found online Nov. 3, 2020 at www.amazon.co.uk. Product first available Oct. 18, 2019. Retrieved from URL: <https://www.amazon.co.uk/LINGKY-Breathable-Vertical-Protection-Children/dp/B07Z8LNQN3> (Year: 2019).*

* cited by examiner

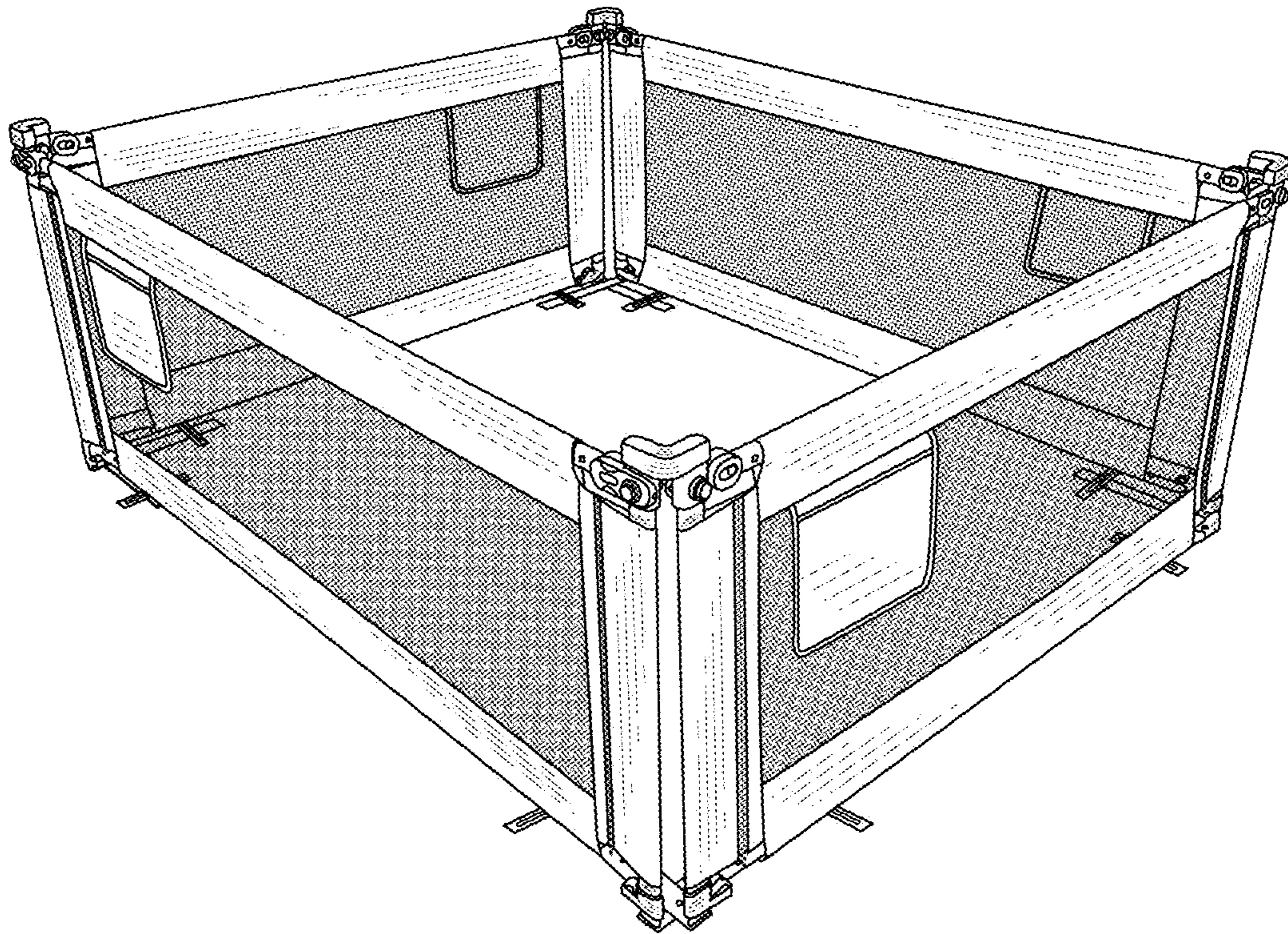


FIG. 1

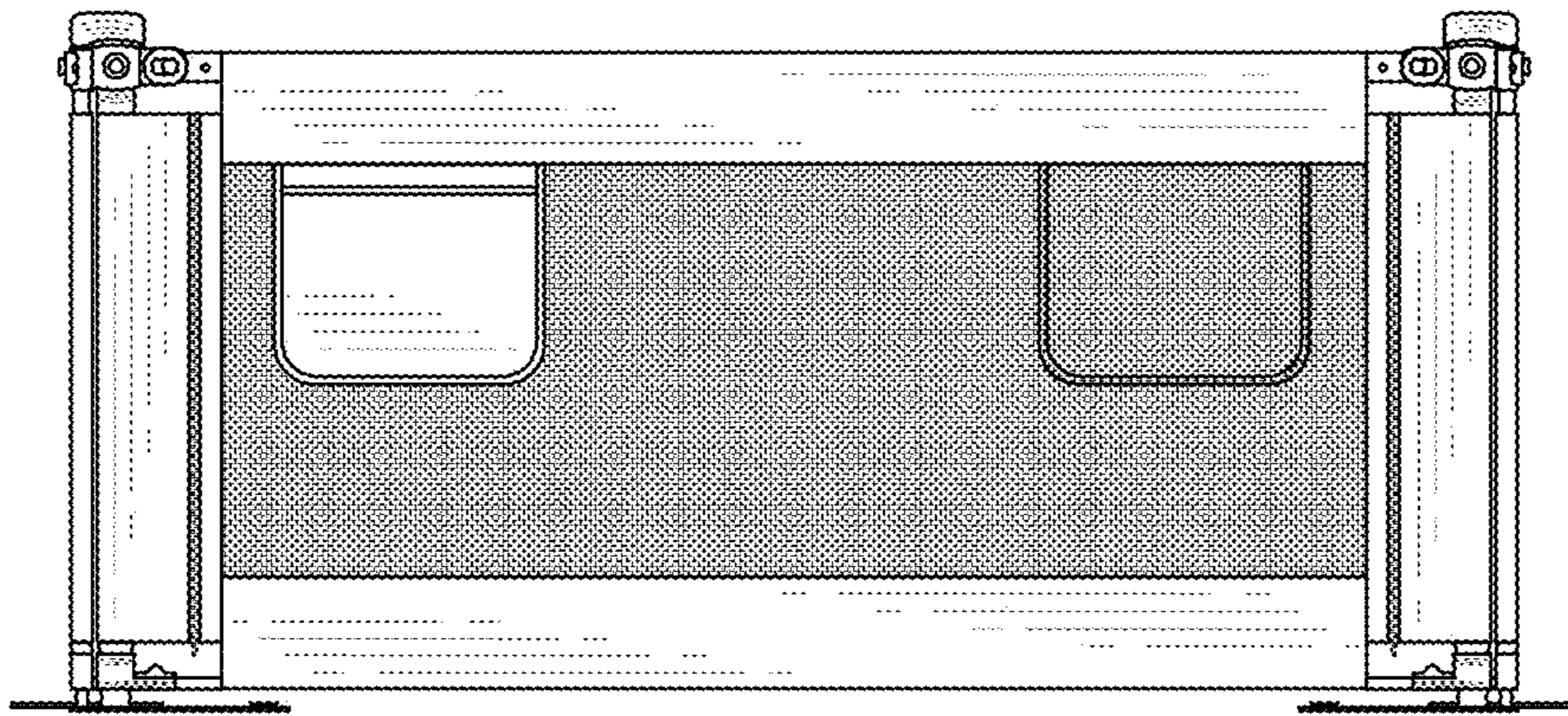


FIG. 2

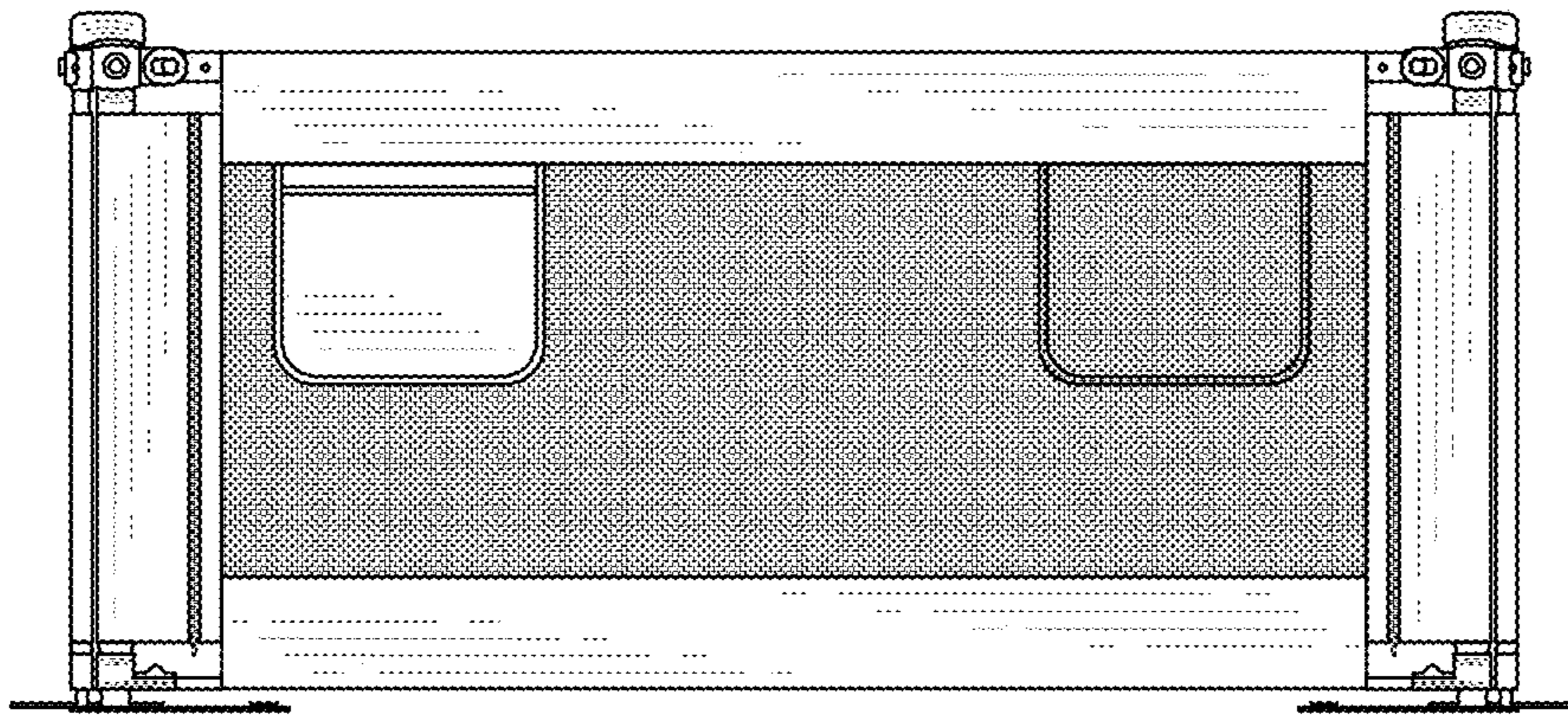


FIG. 3

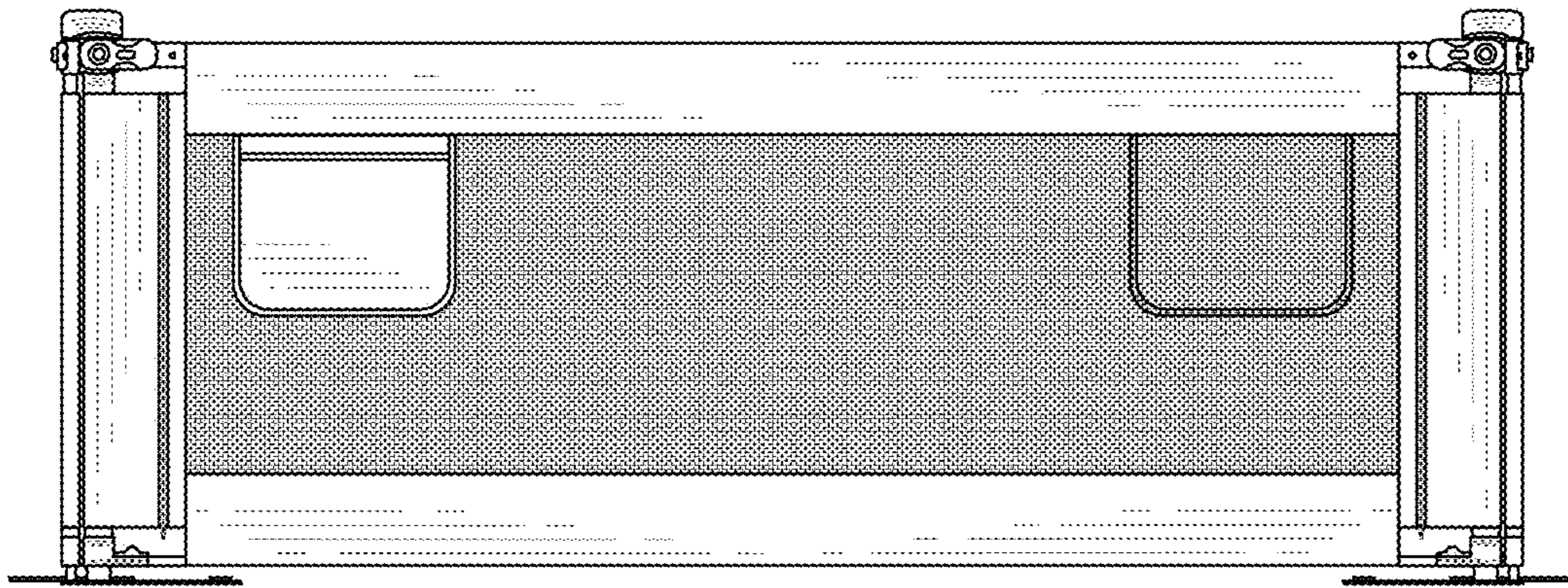


FIG. 4

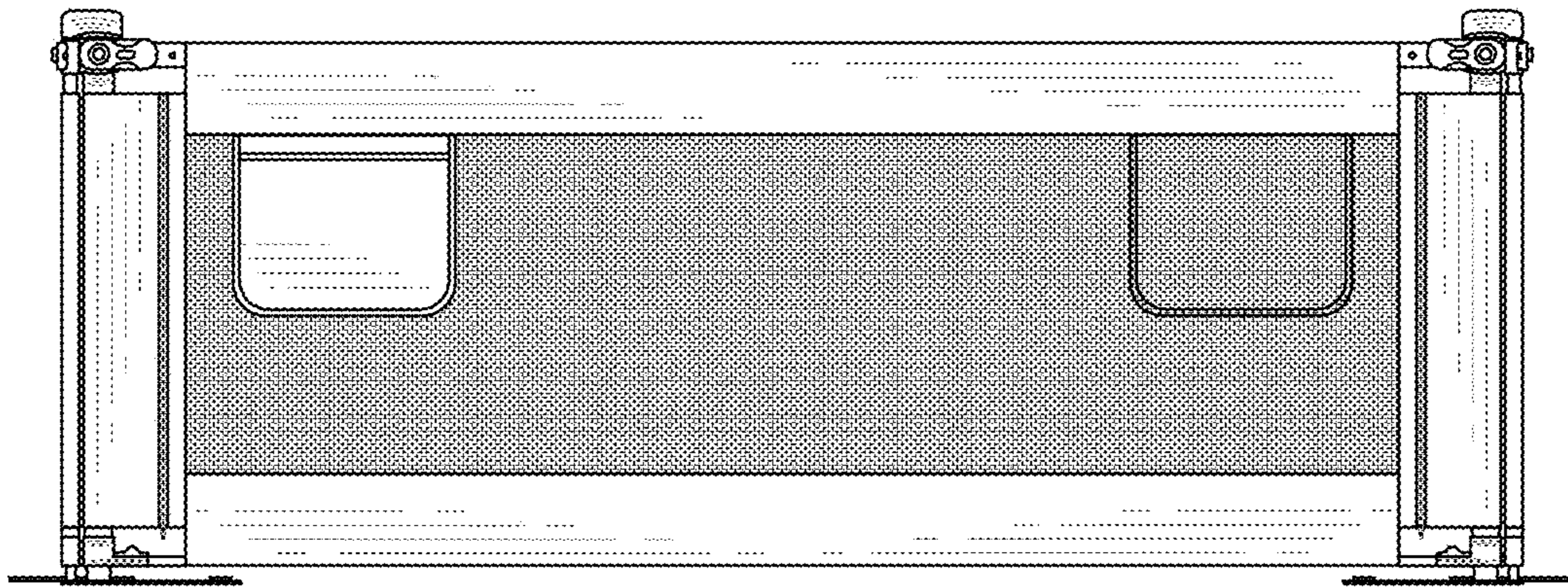


FIG. 5

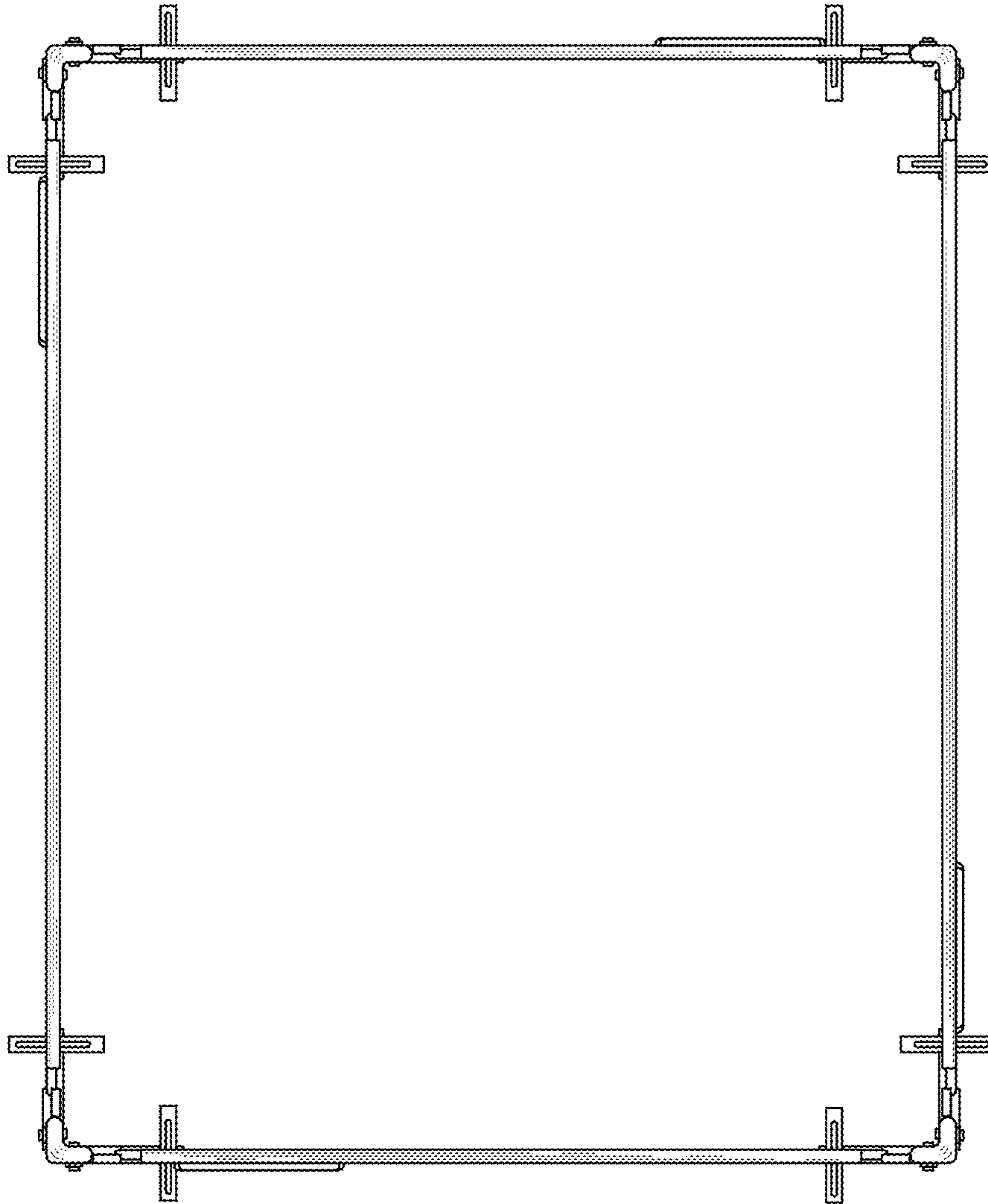


FIG. 6

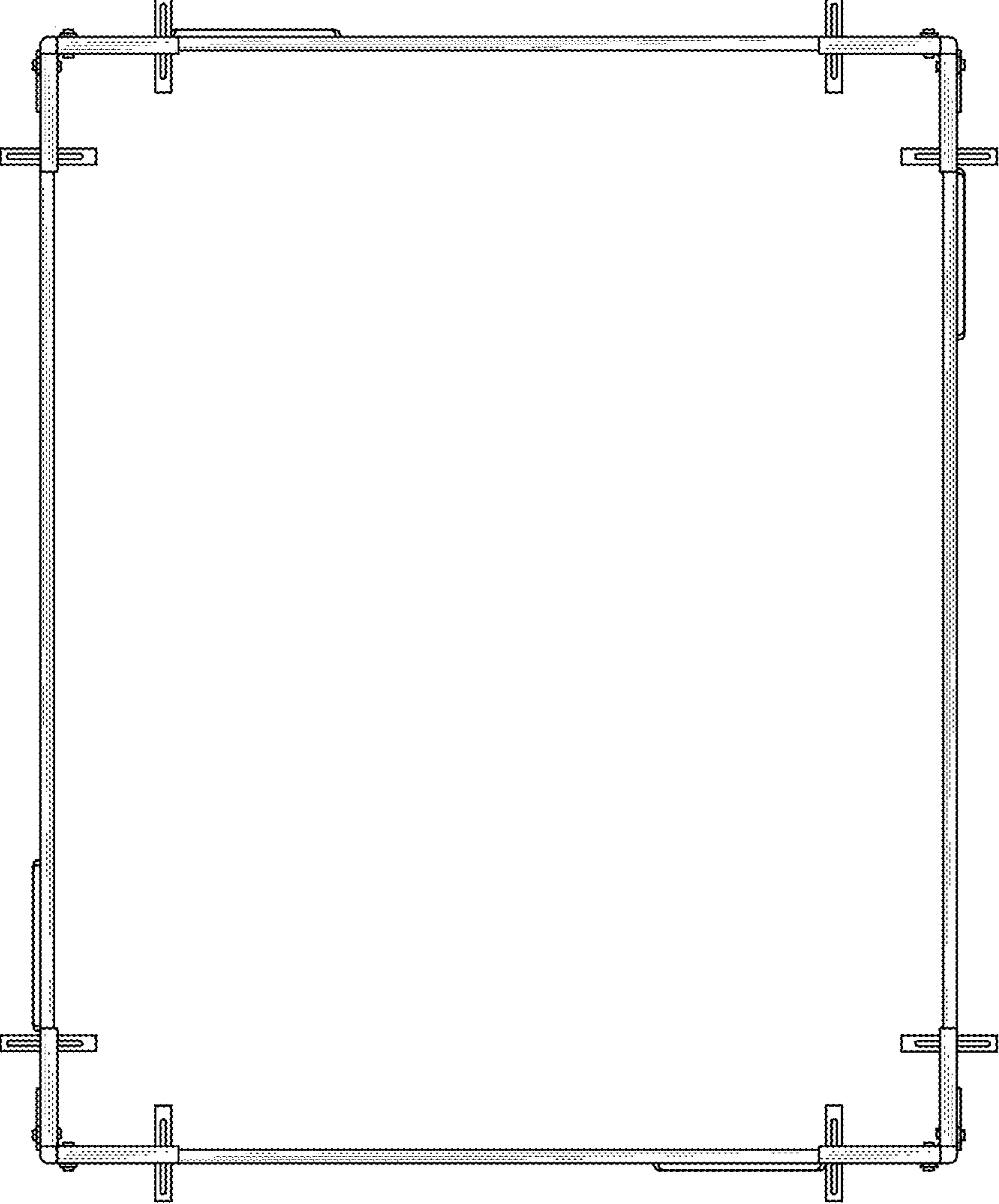


FIG. 7