



US00D909771S

(12) **United States Design Patent** (10) **Patent No.:** **US D909,771 S**
Schumacher et al. (45) **Date of Patent:** **** Feb. 9, 2021**

- (54) **BOARD FRAME**
- (71) Applicant: **Laughable Toys, LLC**, Snowmass, CO (US)
- (72) Inventors: **Michael Schumacher**, Snowmass, CO (US); **Dominic Lovely**, Denver, CO (US)
- (73) Assignee: **Laughable Toys, LLC**, Snowmass, CO (US)
- (**) Term: **15 Years**
- (21) Appl. No.: **29/667,920**
- (22) Filed: **Oct. 25, 2018**
- (51) **LOC (13) Cl.** **06-06**
- (52) **U.S. Cl.**
USPC **D6/311**
- (58) **Field of Classification Search**
USPC D6/300-314; D21/334, 335, 337
CPC A47B 23/004; A47B 97/04; A47G 1/14; A47G 1/141
See application file for complete search history.

- D696,031 S * 12/2013 Pitts Brown D6/310
- D771,615 S * 11/2016 Pignotti D14/253
- D787,202 S * 5/2017 Martin D6/310
- D806,399 S * 1/2018 Rogers D6/300
- D811,753 S * 3/2018 Conrad D6/310
- D872,177 S * 1/2020 Luo D19/113
- D893,891 S * 8/2020 Lin D6/301

* cited by examiner

Primary Examiner — Deanna L Pratt
(74) *Attorney, Agent, or Firm* — Polsinelli PC

(57) **CLAIM**

The ornamental design for a board frame, as shown and described.

DESCRIPTION

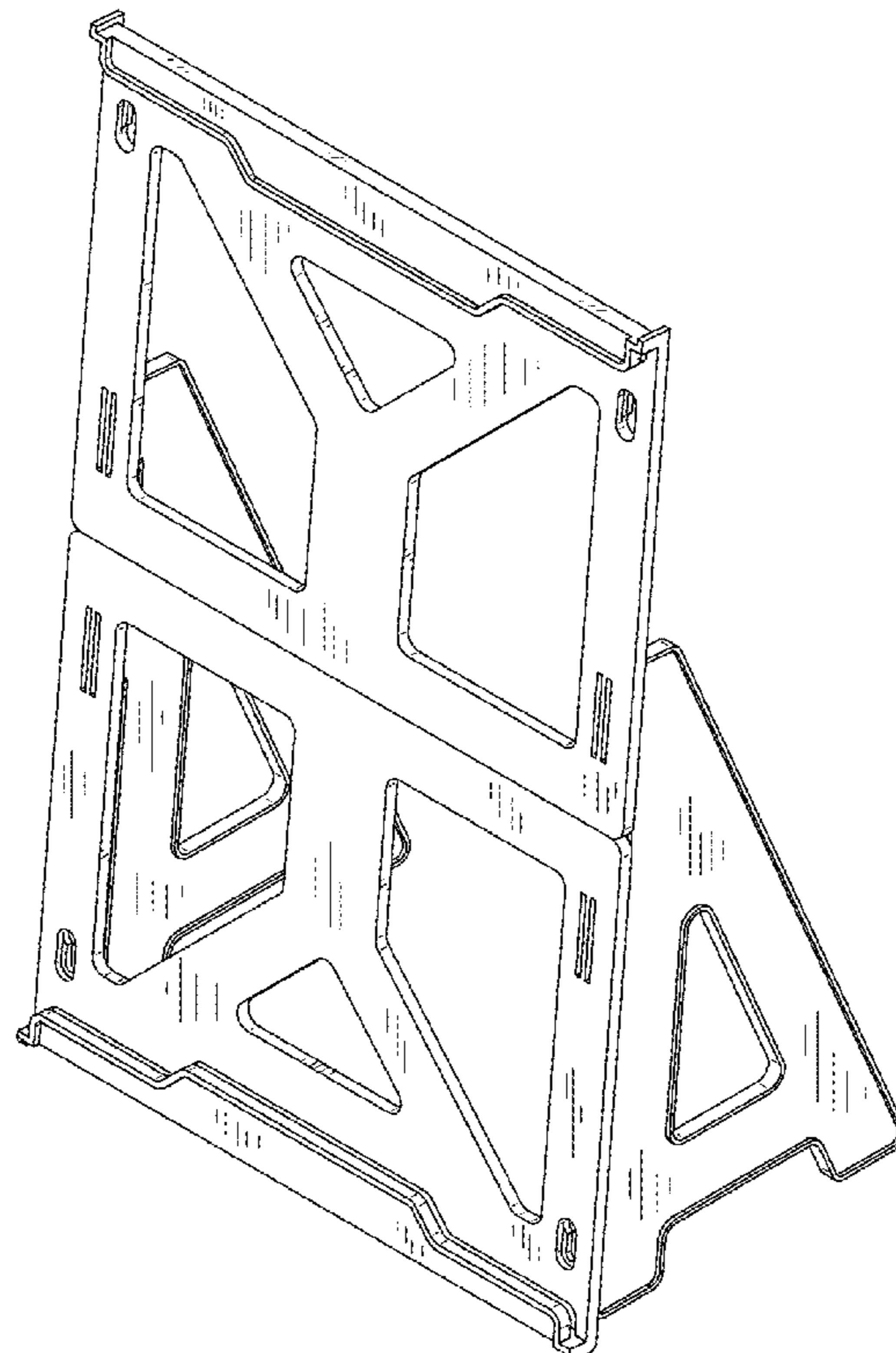
FIG. 1 is an isometric view of a board frame holding a board showing our new design.
 FIG. 2 is a back perspective view of the board frame holding the board.
 FIG. 3 is an isometric view of the board frame.
 FIG. 4 is a back perspective view thereof.
 FIG. 5 is a front view thereof.
 FIG. 6 is a back view thereof.
 FIG. 7 is a side view thereof.
 FIG. 8 is a top view thereof; and,
 FIG. 9 is a bottom view thereof.
 The broken lines shown in the Figures are directed to environment forming no part of the claimed design. The shade lines in the Figures show contour and do not claim surface ornamentation or treatment.

1 Claim, 9 Drawing Sheets

(56) **References Cited**

U.S. PATENT DOCUMENTS

- D281,551 S * 12/1985 Wallace D6/310
- D366,568 S * 1/1996 Pagano D19/91
- D569,630 S * 5/2008 Bradford D6/310
- D572,766 S * 7/2008 Smyser D20/42
- D603,171 S * 11/2009 Chang D6/312



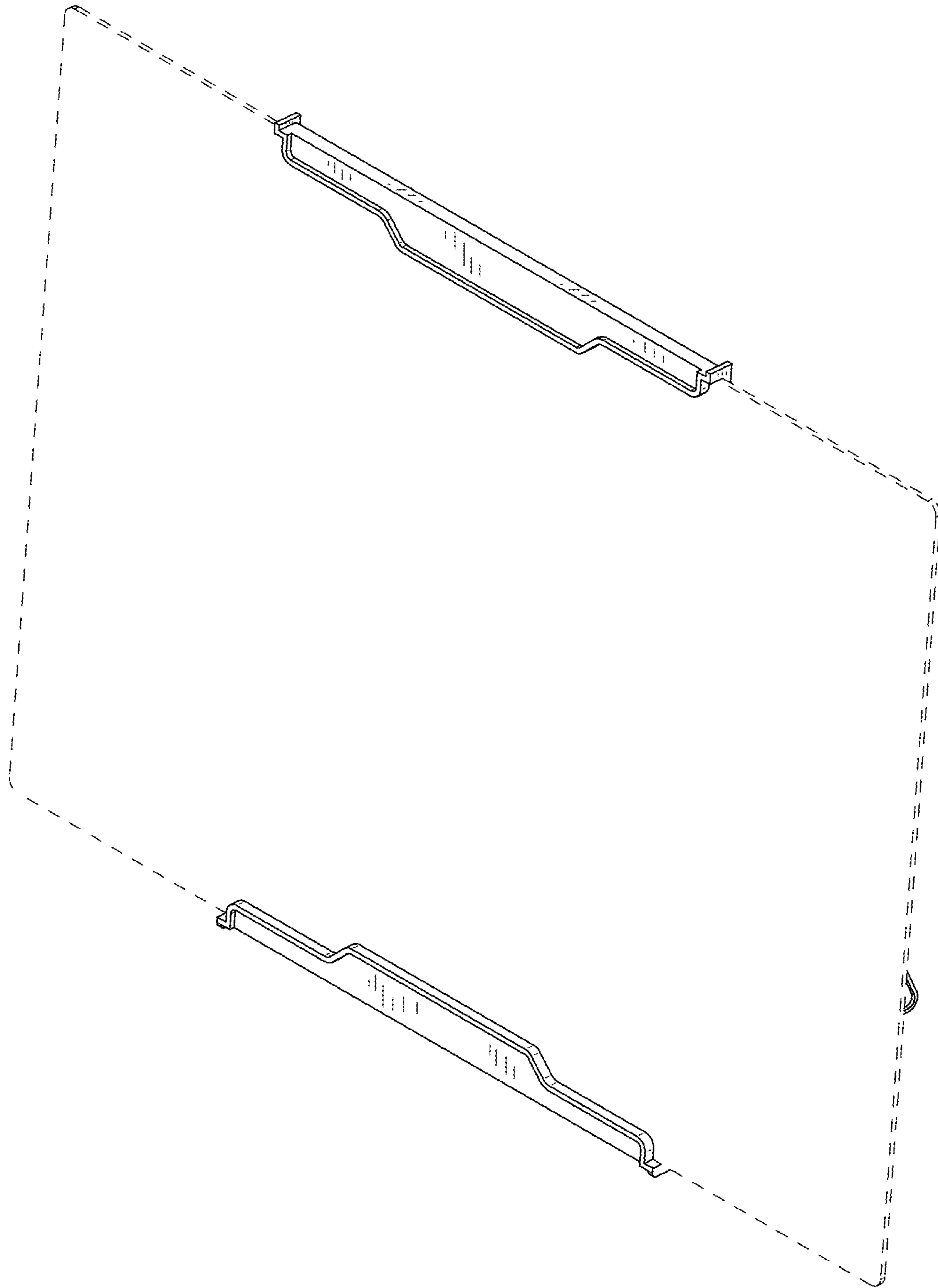


FIG.1

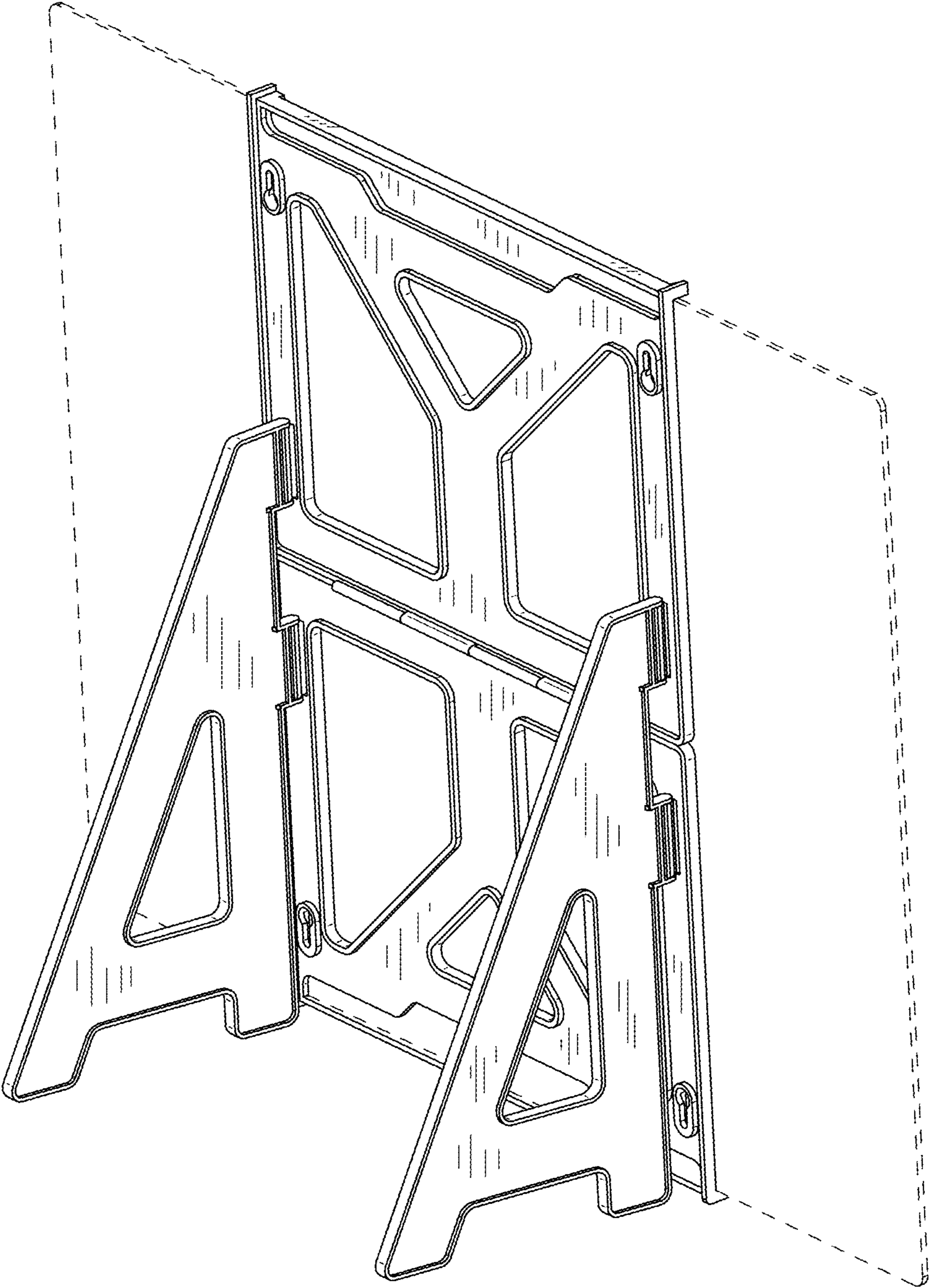


FIG.2

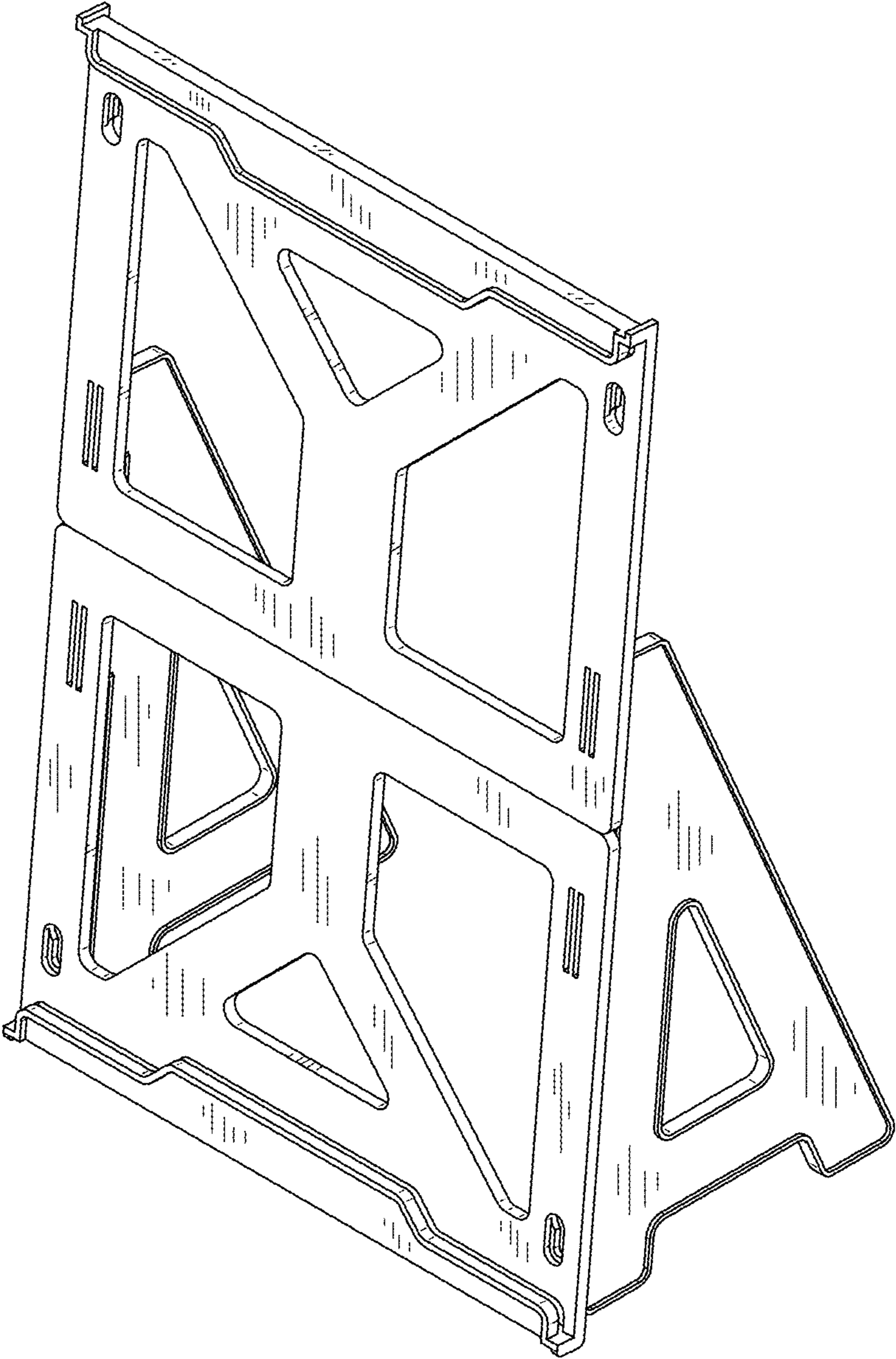


FIG.3

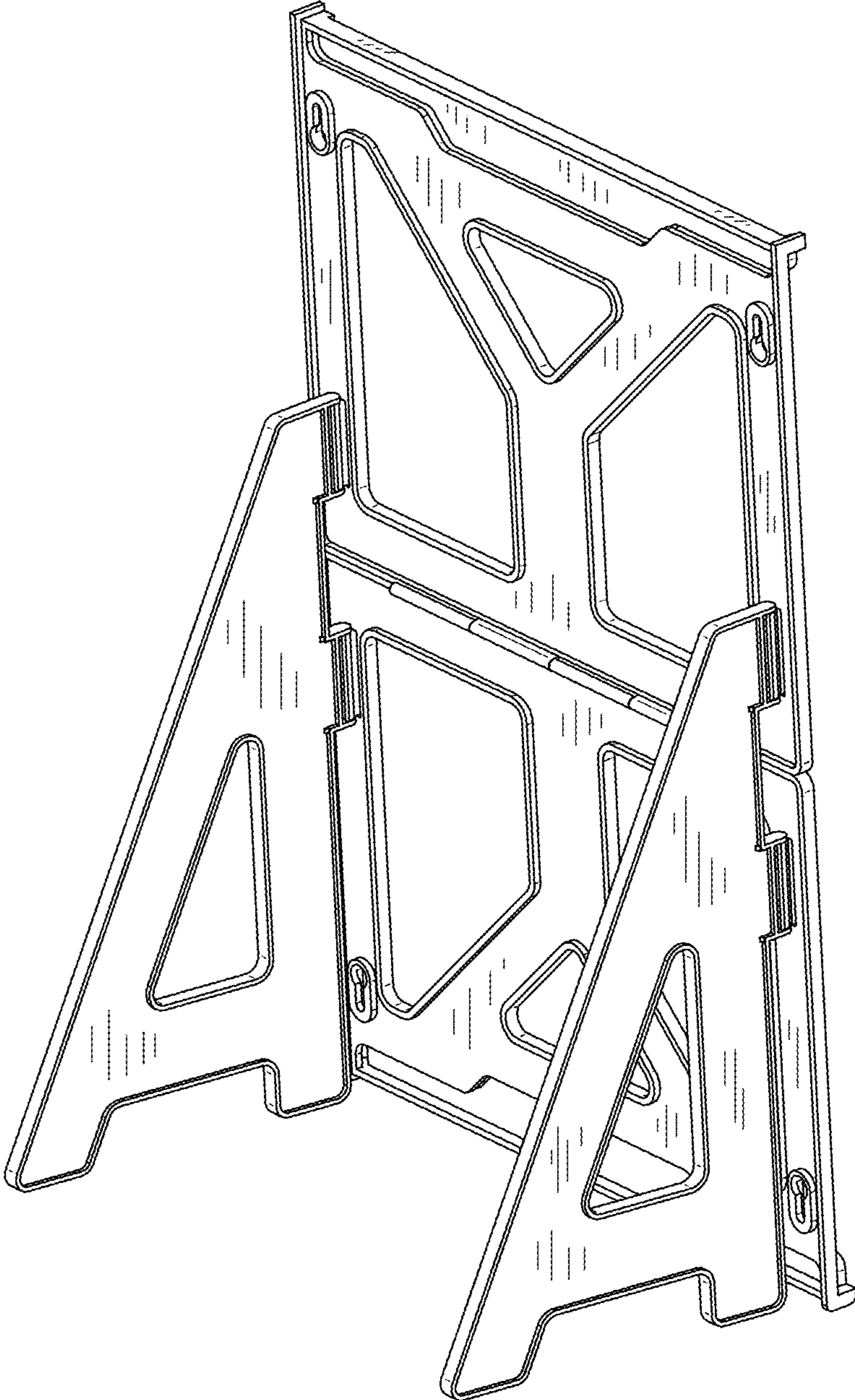


FIG.4

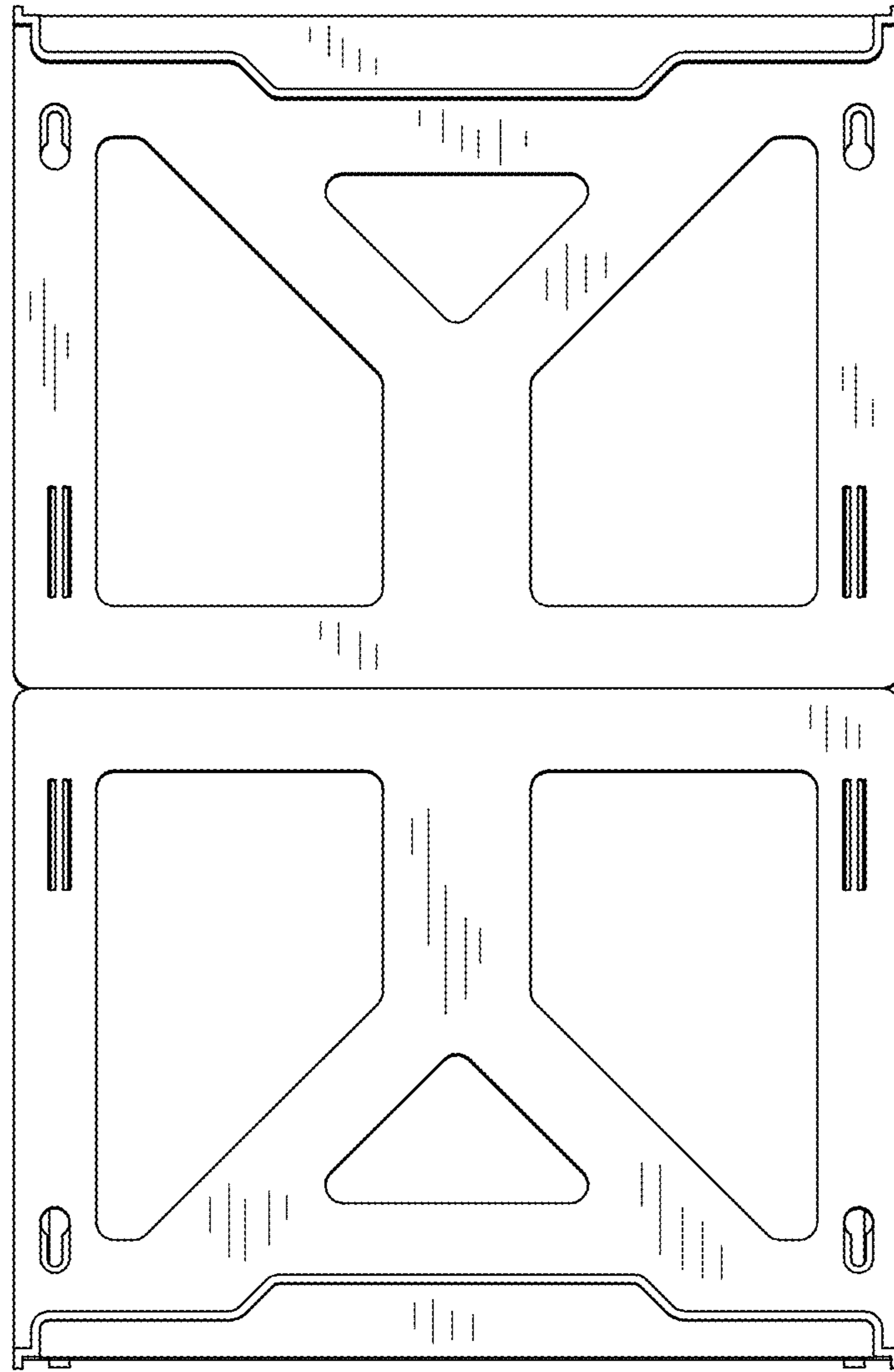


FIG.5

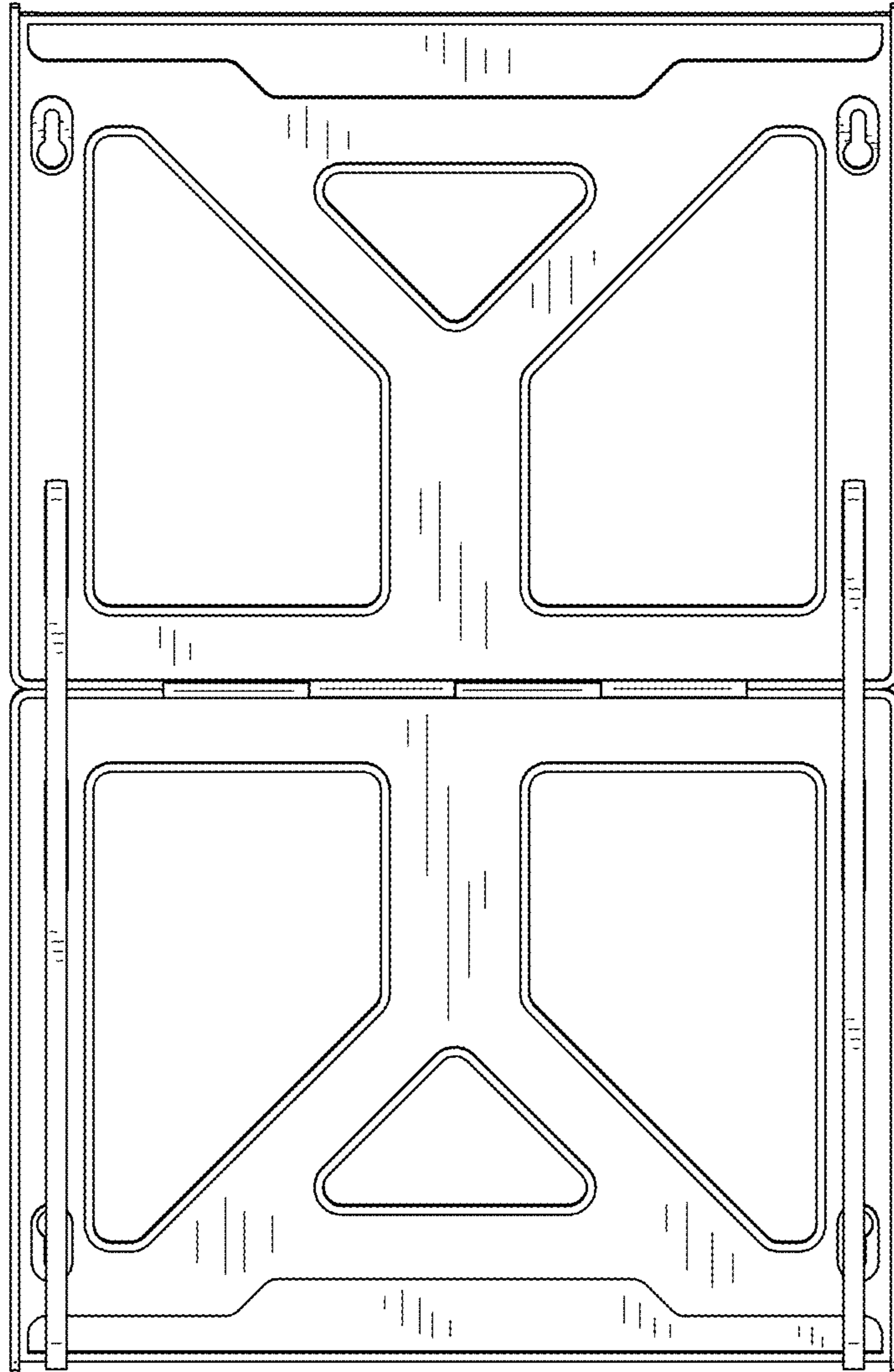


FIG.6

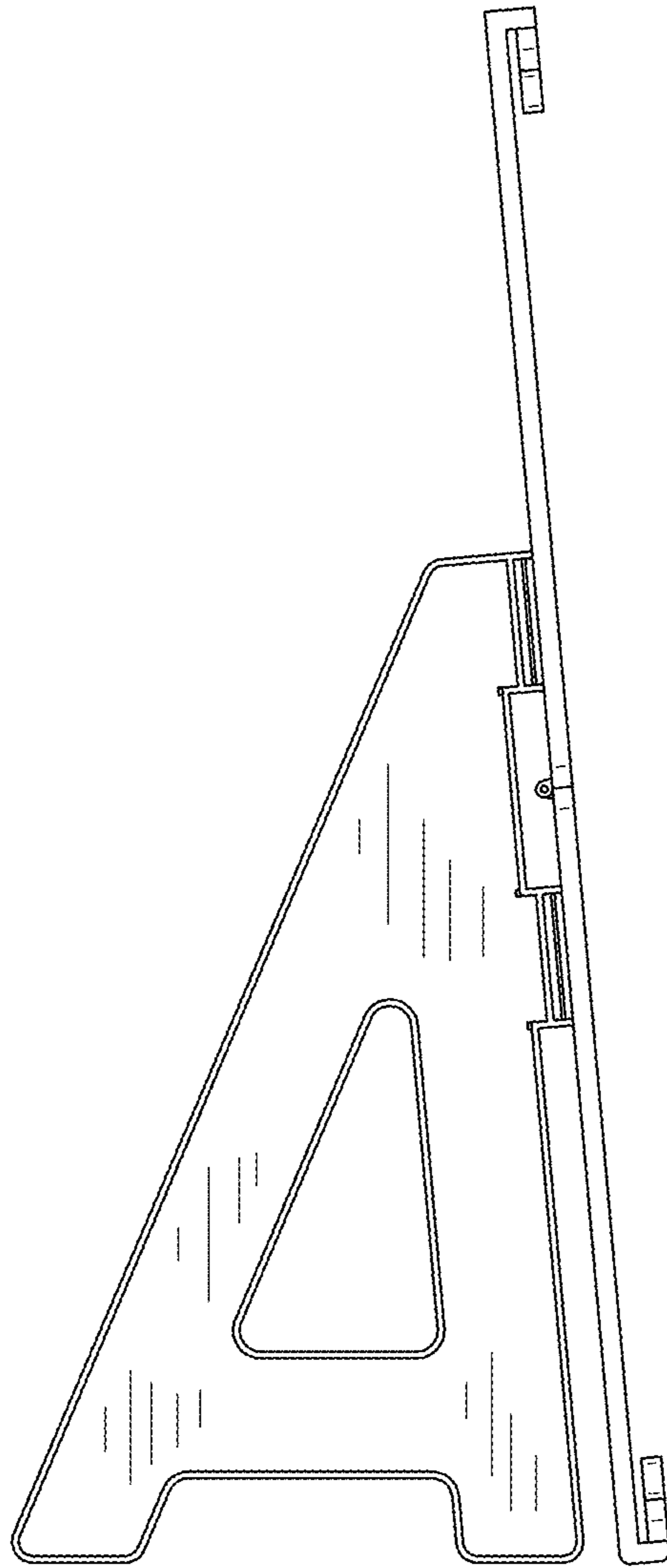


FIG.7

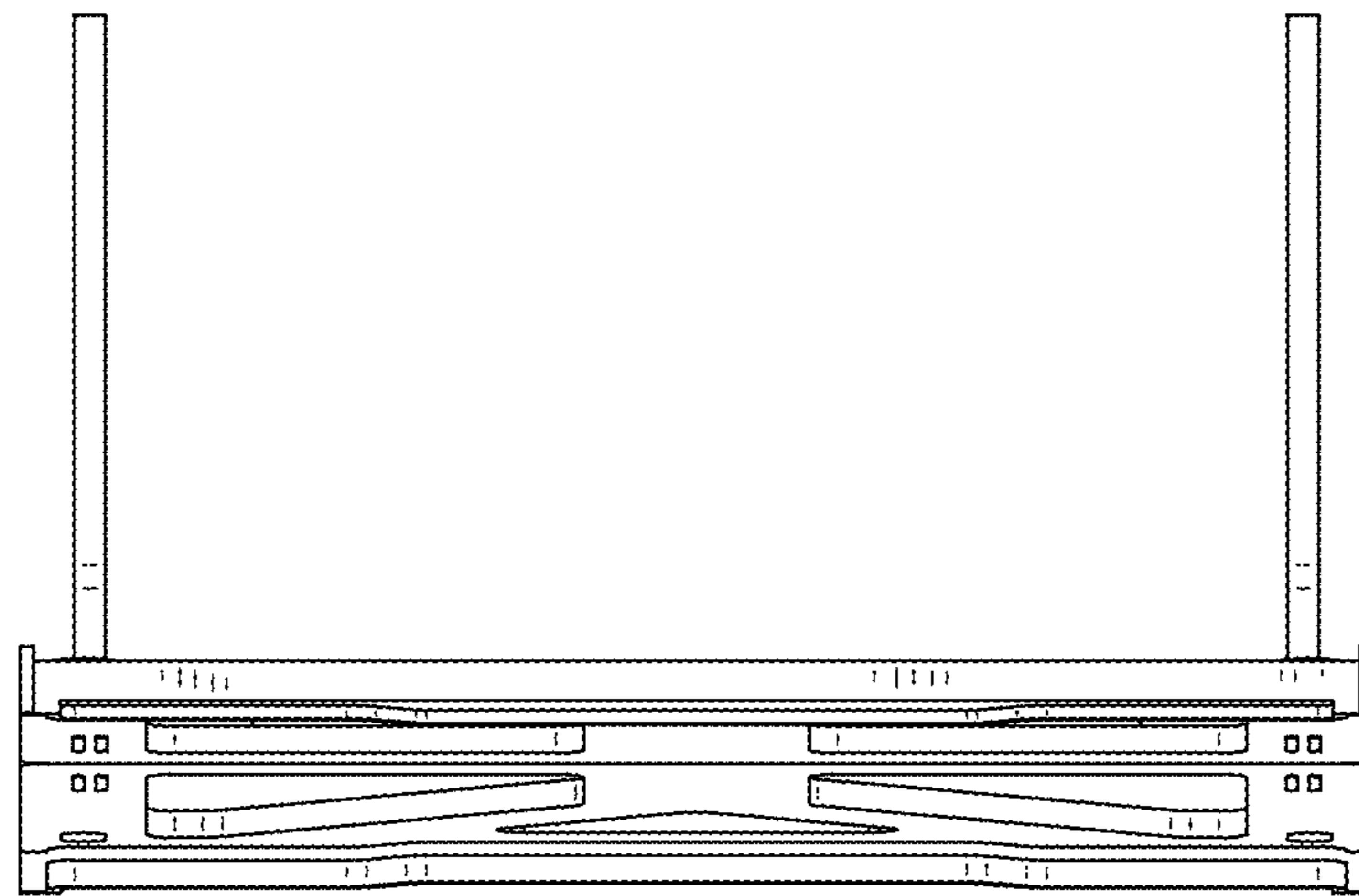


FIG.8

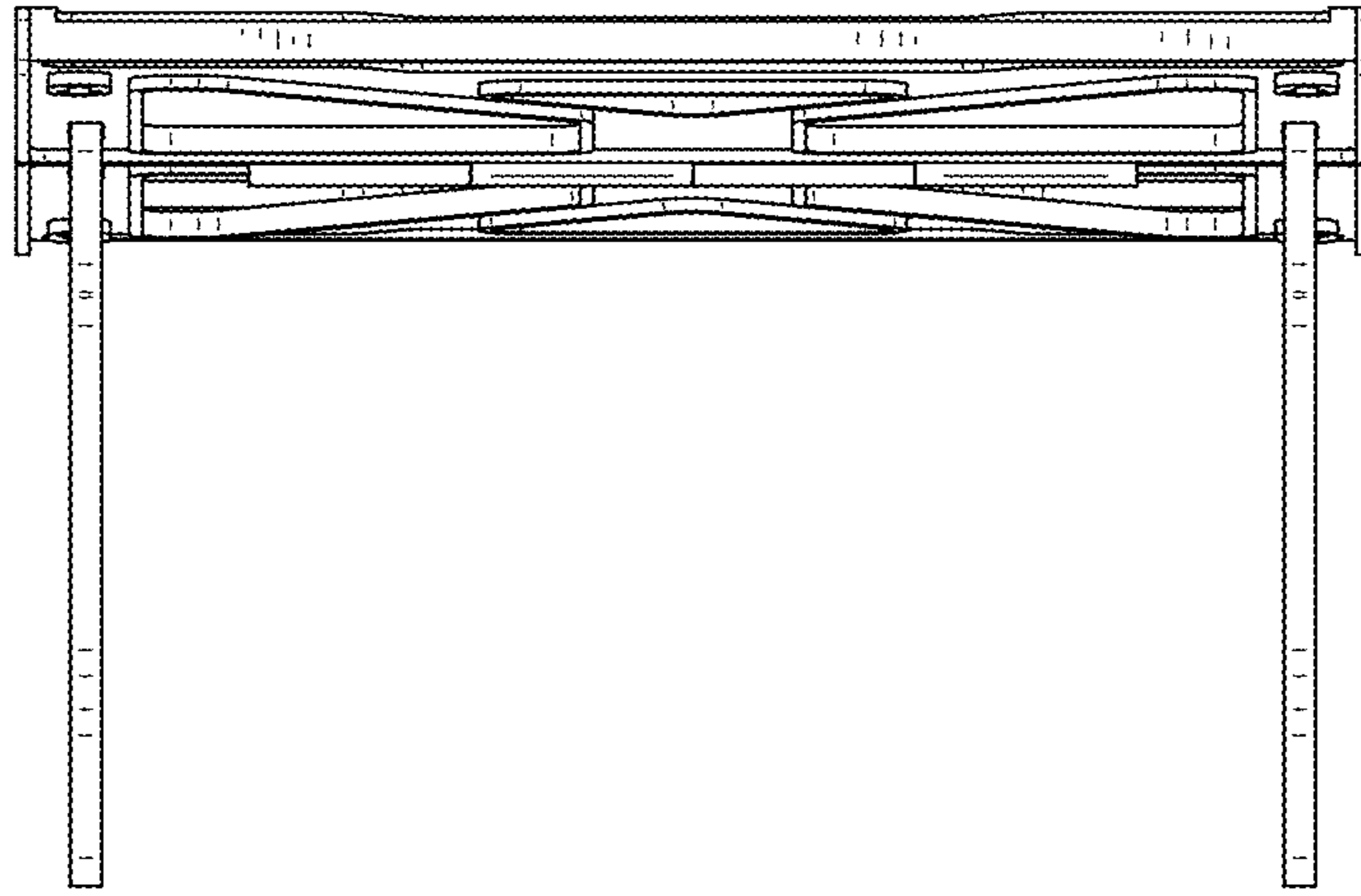


FIG.9