



US00D909770S

(12) **United States Design Patent**
Li et al.

(10) **Patent No.:** **US D909,770 S**
(45) **Date of Patent:** **** Feb. 9, 2021**

(54) **MIRROR**

(71) Applicant: **Shenzhen Kean Digital Co., Ltd.**,
Shenzhen (CN)

(72) Inventors: **Jun Li**, Shenzhen (CN); **Yanyu Meng**,
Shenzhen (CN)

(**) Term: **15 Years**

(21) Appl. No.: **29/678,389**

(22) Filed: **Jan. 29, 2019**

(51) **LOC (13) Cl.** **06-07**

(52) **U.S. Cl.**
USPC **D6/309**

(58) **Field of Classification Search**
USPC D6/300, 301, 308, 309, 310, 312
CPC A47G 1/00; A47G 1/0633; A47G 1/0622;
A47G 1/04; A47G 2200/08; A47G
2200/085; A45D 42/20; F21V 33/004
See application file for complete search history.

(56) **References Cited**

U.S. PATENT DOCUMENTS

D243,478 S * 2/1977 Jones D6/309
D425,313 S * 5/2000 Zadro D6/309

D879,481 S * 3/2020 Yang D6/309
D882,280 S * 4/2020 Yang D6/309
D897,695 S * 10/2020 Yang D6/309

FOREIGN PATENT DOCUMENTS

EM 006104006-001 * 1/2019
JP D1632265 * 5/2019

* cited by examiner

Primary Examiner — Deanna L Pratt

(74) *Attorney, Agent, or Firm* — Erson IP (Nelson IP)

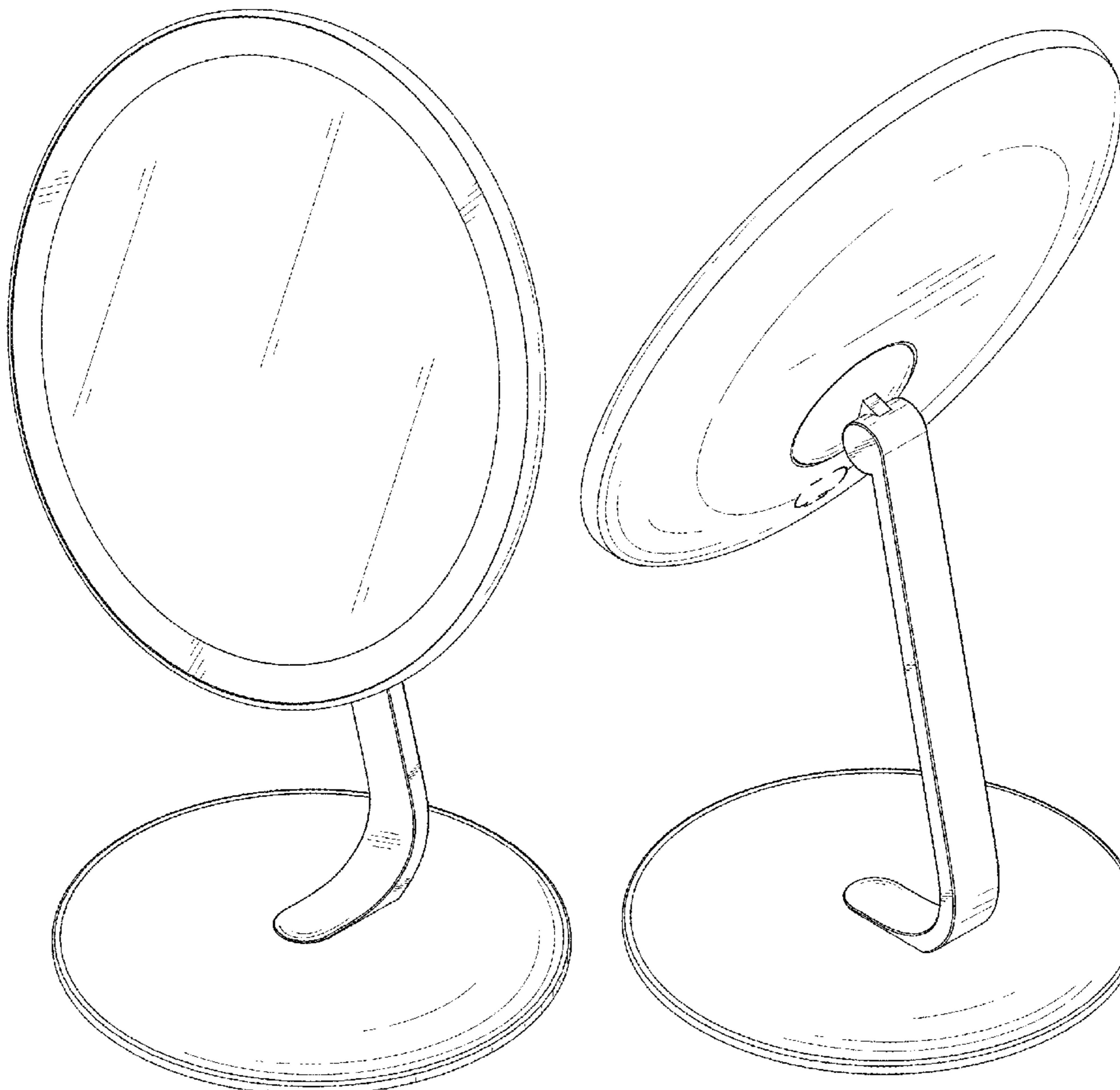
(57) **CLAIM**

The ornamental design for a mirror, as shown and described.

DESCRIPTION

FIG. 1 is a perspective view of a mirror, showing my new design;
FIG. 2 is another perspective view thereof;
FIG. 3 is a front view thereof;
FIG. 4 is a rear view thereof;
FIG. 5 is a left side view thereof;
FIG. 6 is a right side view thereof;
FIG. 7 is a top plan view thereof; and,
FIG. 8 is a bottom plan, view thereof.
The broken lines illustrate portions of the mirror that form no part of the claimed design.

1 Claim, 8 Drawing Sheets



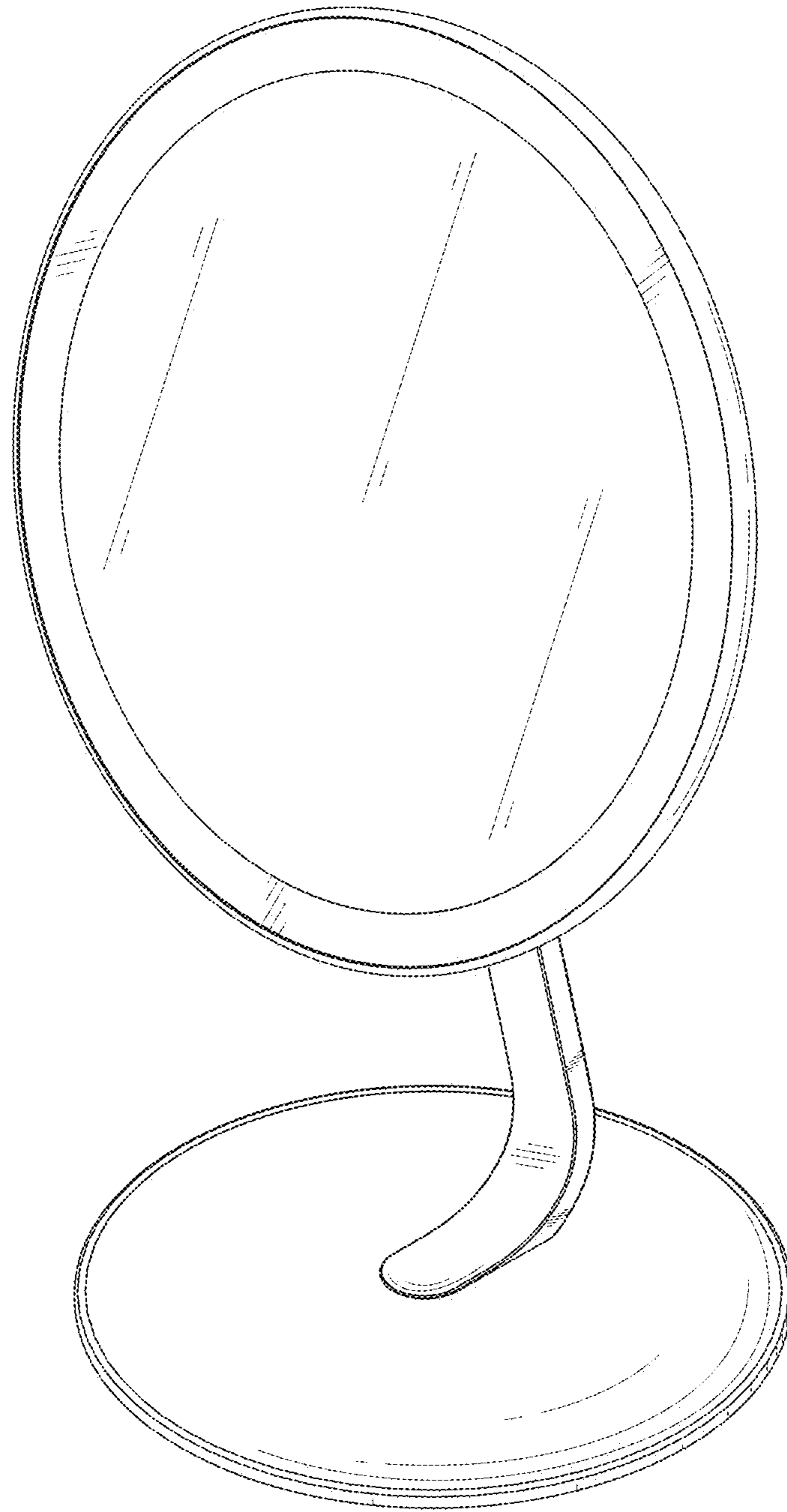


Fig.1

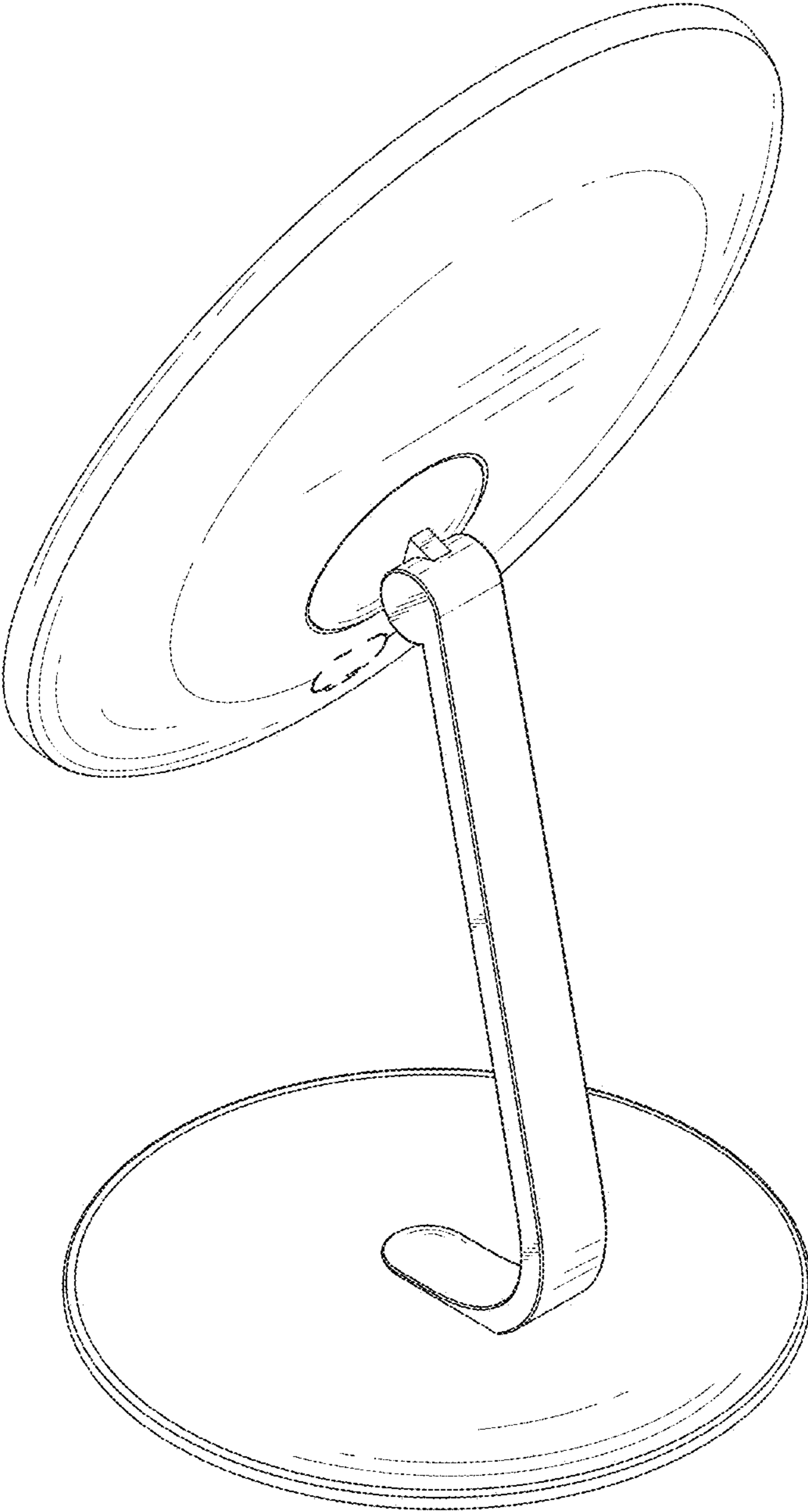


Fig.2

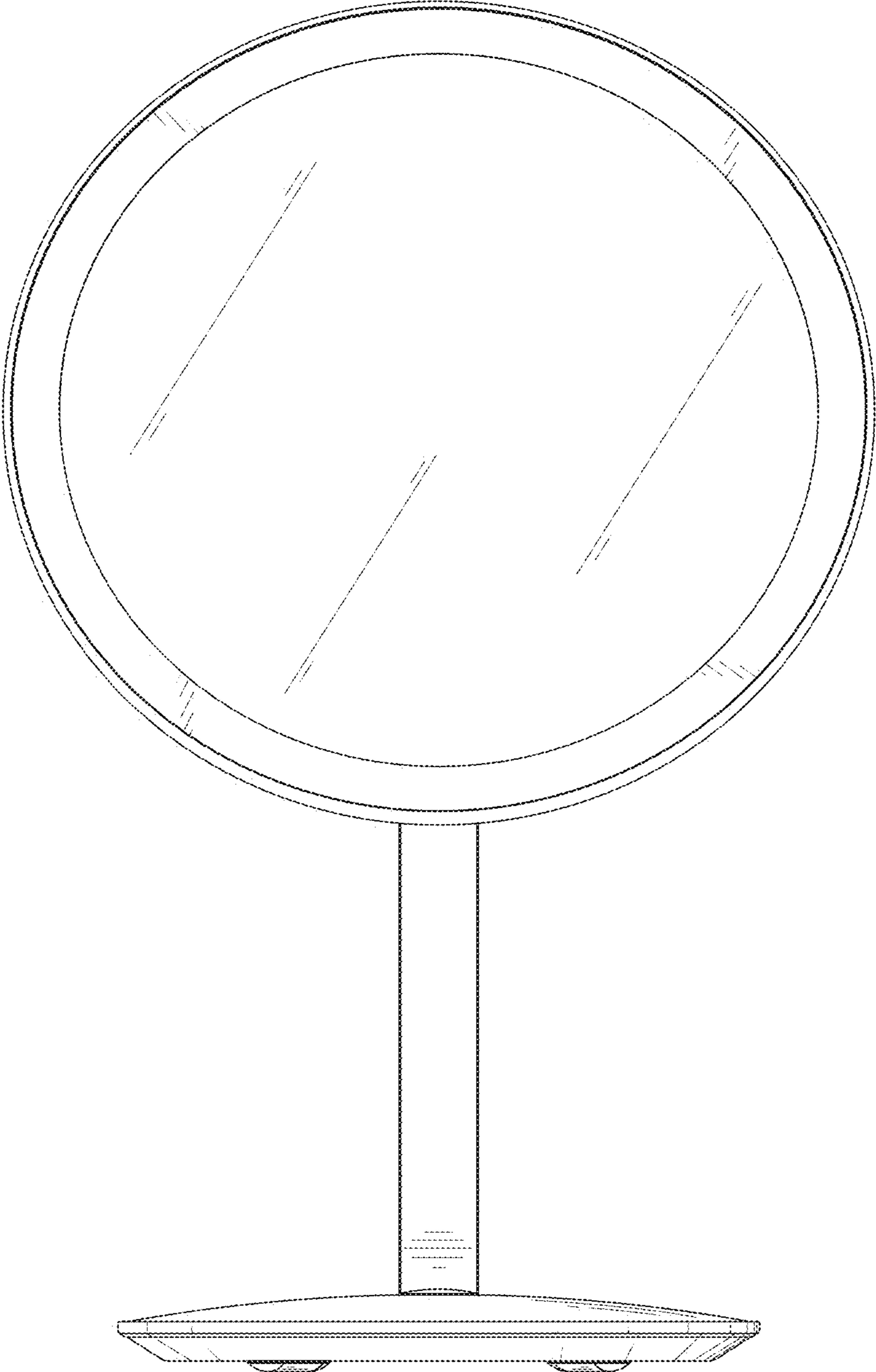


Fig.3

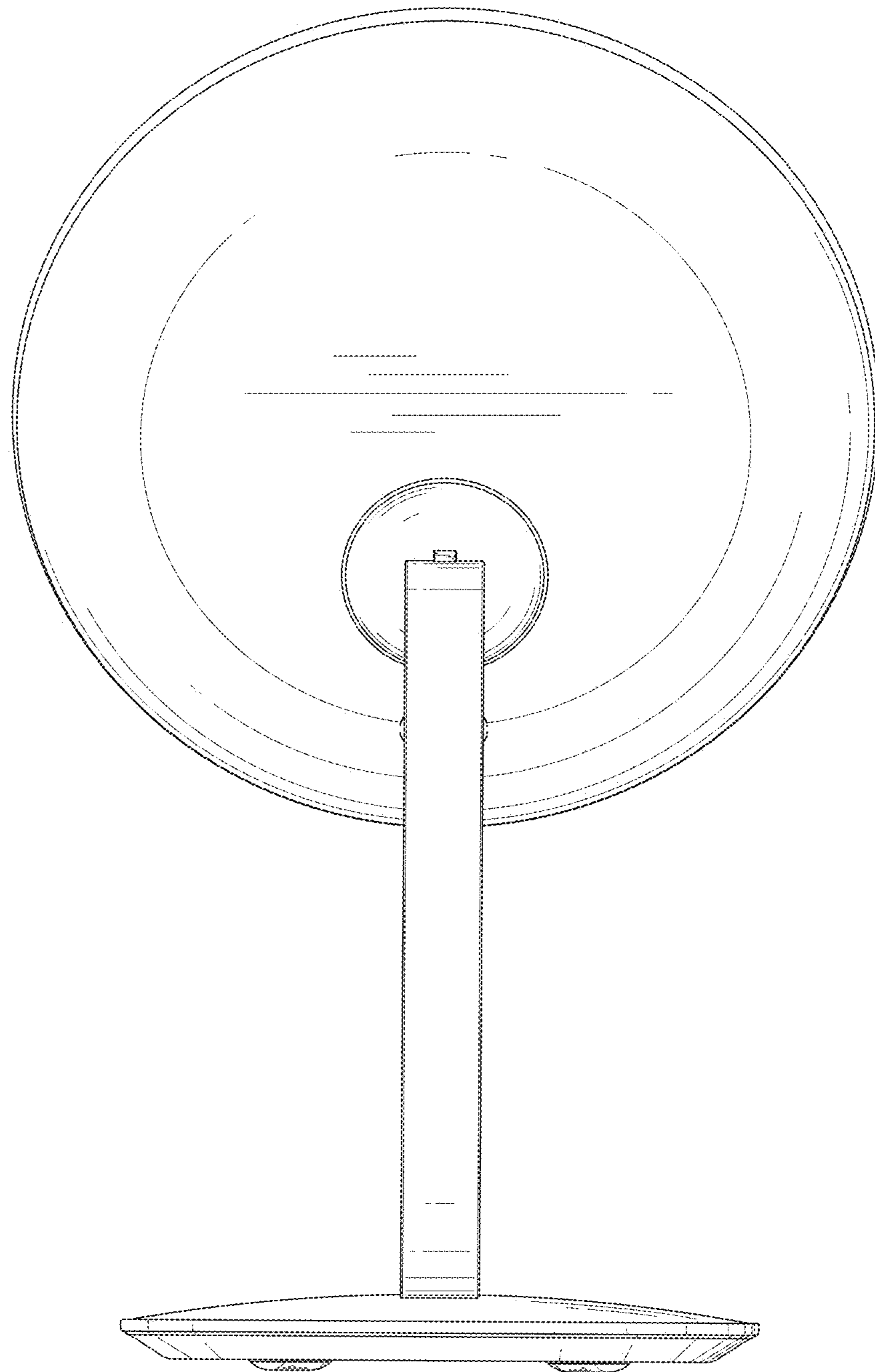


Fig.4

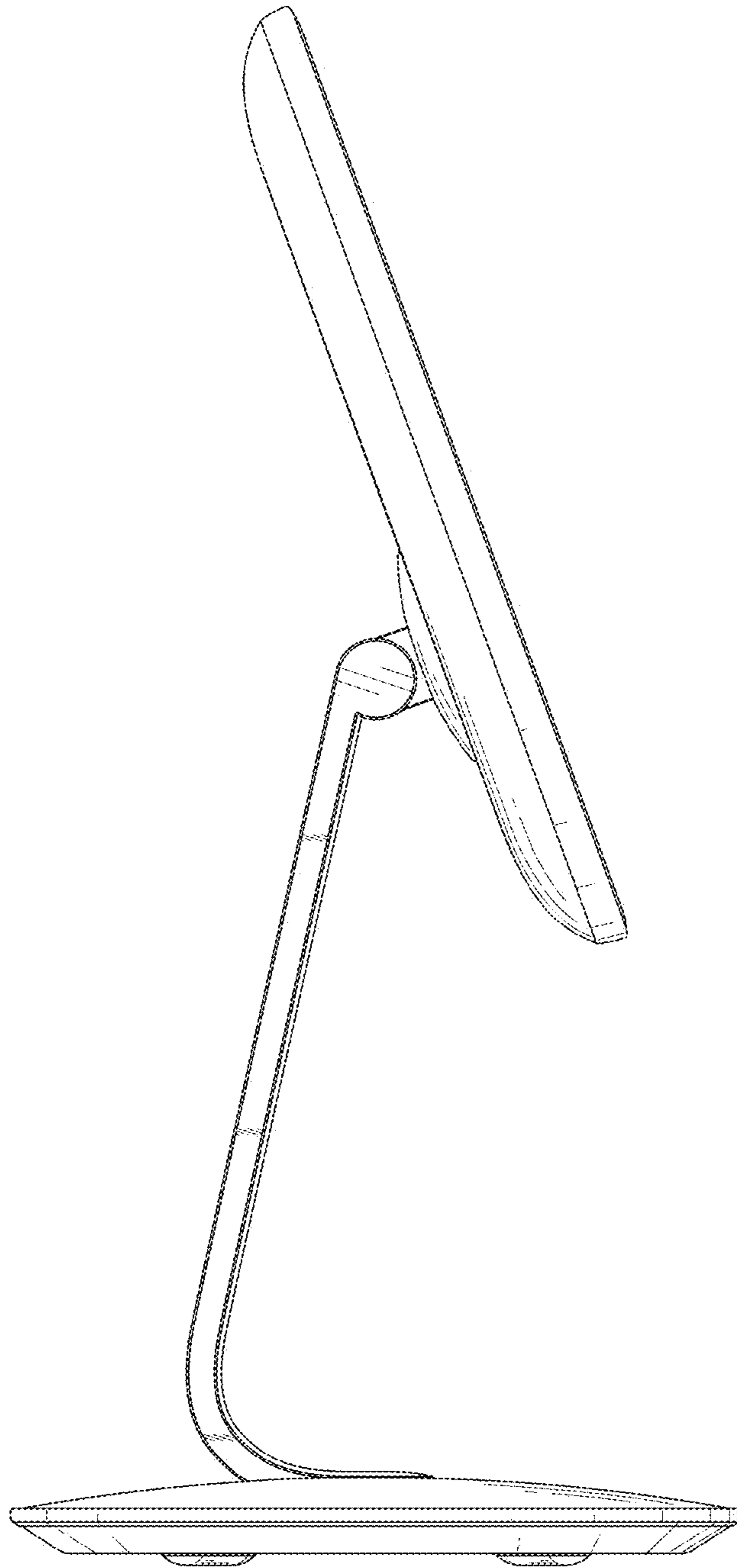


Fig.5

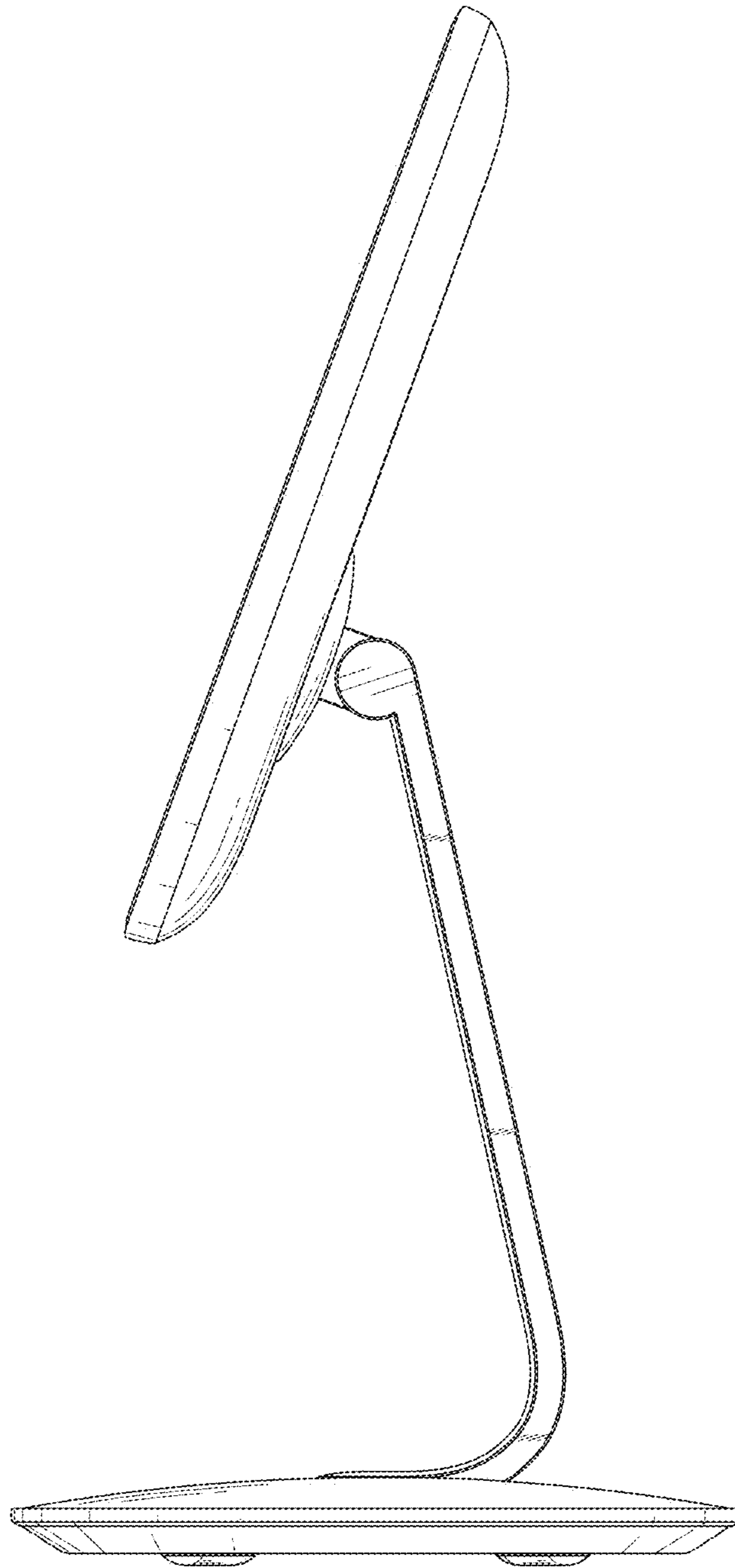


Fig.6

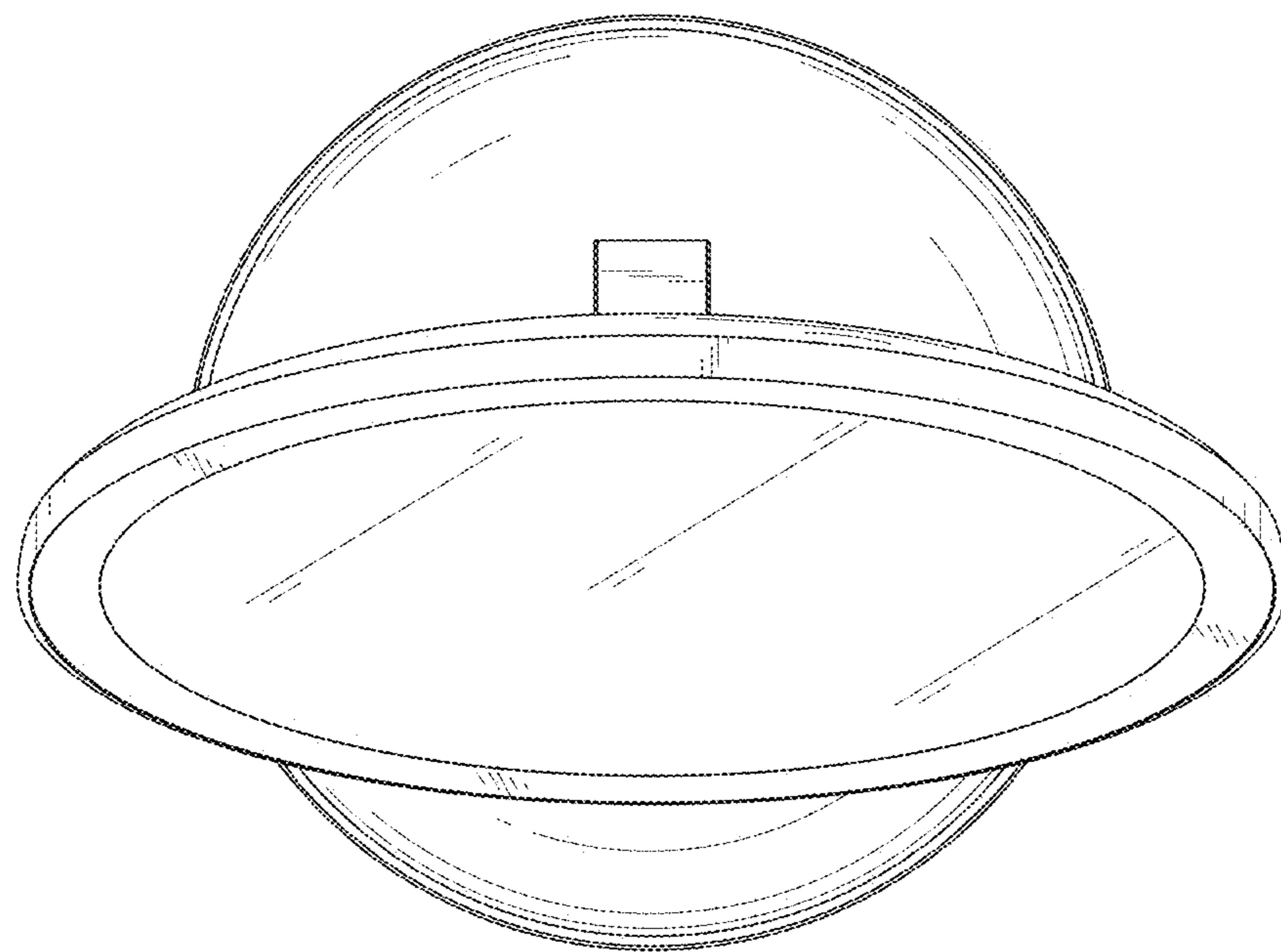


Fig.7

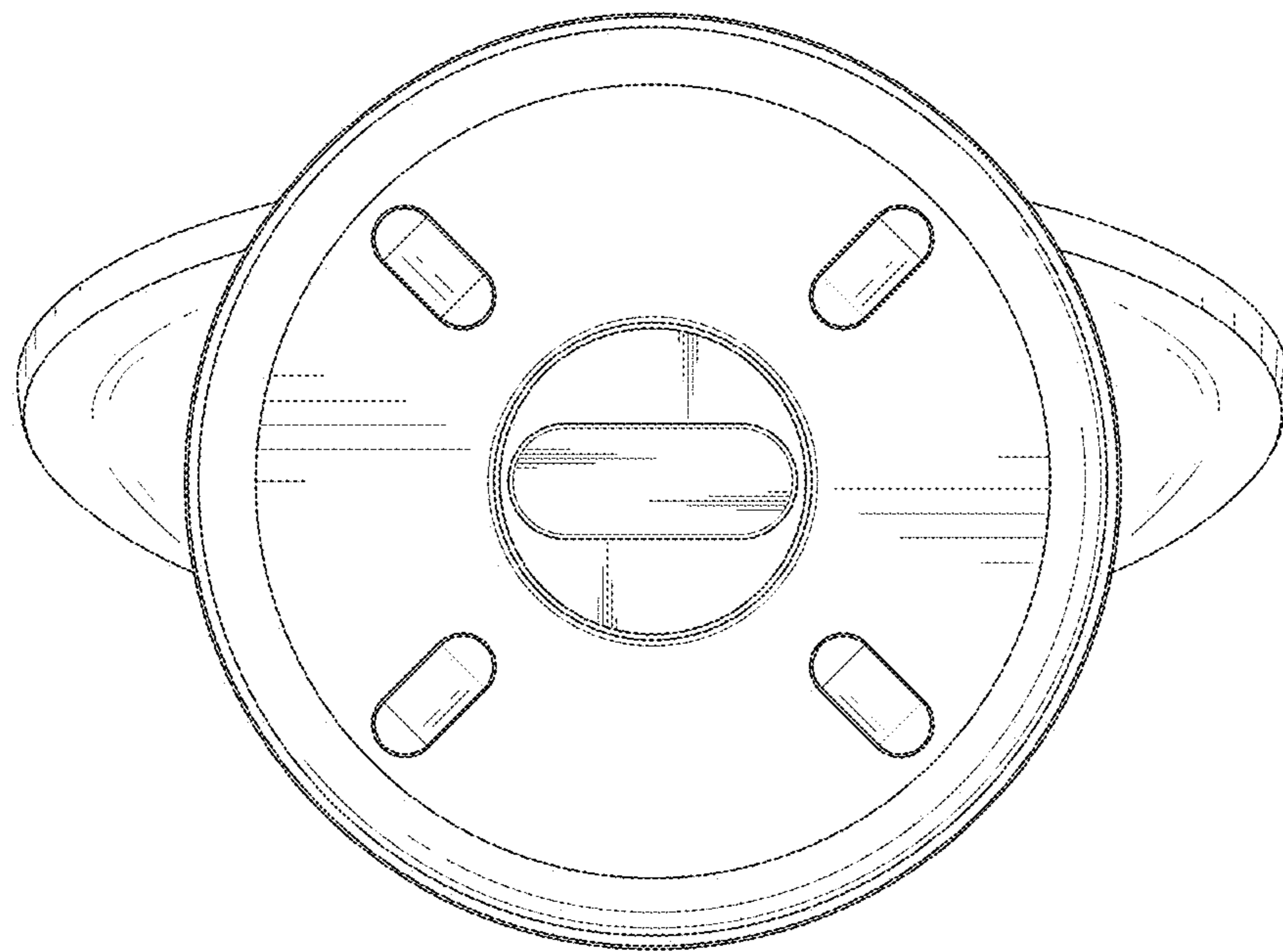


Fig.8