



US00D909769S

(12) **United States Design Patent** (10) **Patent No.:** **US D909,769 S**
Roy (45) **Date of Patent:** **** Feb. 9, 2021**

(54) **STRETCHER BAR FRAME**

FOREIGN PATENT DOCUMENTS

(71) Applicant: **Francois Roy**, Lévis (CA)

DE 122640 C 6/1990
DE 10302038 A1 7/2004

(72) Inventor: **Francois Roy**, Lévis (CA)

(Continued)

(73) Assignee: **GESPLAN GESTION CONSEIL INC.**, Levis (CA)

OTHER PUBLICATIONS

(**) Term: **15 Years**

Stretcher Bar Warehouse [online], [site visited Jun. 23, 2020]. Available from internet, URL:<https://www.stretcherbarwarehouse.com/Default.asp?gclid=Cj0KCQjw0Mb3BRCaARIsAPSNGpVgev6YolglobPYWkZ51K9bBJajowwWppbnBiRZURDFH8j5auBbL5FAaAkJEALw_wcB> (Year: 2020).*

(21) Appl. No.: **29/682,363**

(Continued)

(22) Filed: **Mar. 4, 2019**

Primary Examiner — Cynthia Ramirez
Assistant Examiner — Xavier Marti-Santos
(74) *Attorney, Agent, or Firm* — Quickpatents, LLC; Kevin Prince

Related U.S. Application Data

(63) Continuation-in-part of application No. 62/750,793, filed on Oct. 25, 2018.

(51) **LOC (13) Cl.** **06-07**

(52) **U.S. Cl.**
USPC **D6/300**

(58) **Field of Classification Search**

USPC D6/300, 301, 302, 303, 304, 307, 309, D6/310, 311, 312, 313, 314; D8/349, D8/354; D11/132, 133; D20/10, 19, 27, D20/42; D25/48.3, 48.7, 60, 110, 119, D25/124
CPC A47G 1/06; A47G 1/0605; A47G 1/0633; A47G 1/0638; A47G 1/0644; A47G 1/08; A47G 1/10; A47G 1/14; A47G 1/141;
(Continued)

(56) **References Cited**

U.S. PATENT DOCUMENTS

69,447 A 10/1867 Kellog
306,117 A * 10/1884 Thayer E06B 3/984
403/382

(Continued)

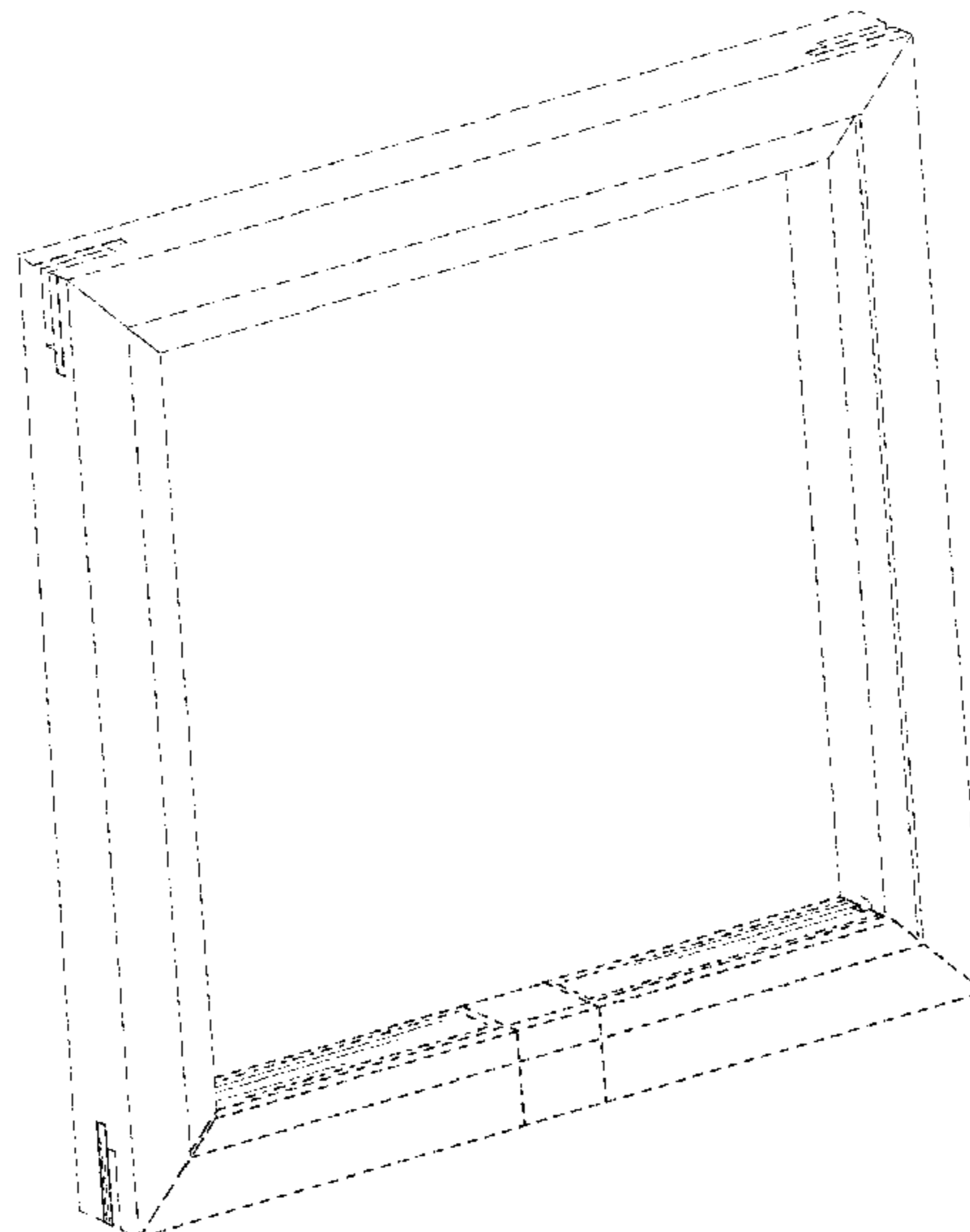
(57) **CLAIM**

I claim the ornamental design for a stretcher bar frame, as shown and described.

DESCRIPTION

FIG. 1 is a perspective view of a stretcher bar frame, showing my new design;
FIG. 2 is a front perspective view thereof;
FIG. 3 is a rear perspective view thereof;
FIG. 4 is a front elevational view thereof;
FIG. 5 is a rear elevational view thereof;
FIG. 6 is a top plan view thereof;
FIG. 7 is a bottom plan view thereof;
FIG. 8 is an enlarged left-side elevational view of FIG. 2; and,
FIG. 9 is an enlarged right-side elevational view of FIG. 2. The broken lines in FIG. 1 depict environment and form no part of the claimed design. The dash dot lines in the figures depict boundary lines of the design. The additional broken lines shown in the figures represent portions of the stretcher bar frame, which form no part of the claimed design.

1 Claim, 3 Drawing Sheets



(58) **Field of Classification Search**
 CPC A47G 1/142; A47G 1/16; A47G 1/1606;
 A47G 1/1613; A47G 2001/0661; A47G
 2001/0672; A47G 2001/0688; A47G
 2001/148

See application file for complete search history.

(56) **References Cited**

U.S. PATENT DOCUMENTS

1,847,925 A * 3/1932 Carter B44D 3/185
 160/374.1
 1,870,492 A * 8/1932 Clark B44D 3/185
 40/780
 1,916,022 A 6/1933 Shull
 2,149,985 A 3/1939 Tepper
 2,155,729 A * 4/1939 Mainieri E06B 3/9845
 403/382
 2,491,600 A 12/1949 Bearce
 2,538,138 A 1/1951 Webster
 2,838,081 A 6/1958 Larson
 3,127,695 A 4/1964 Driscoll
 3,133,375 A 5/1964 Myren
 3,230,872 A 1/1966 De Groot
 3,625,274 A 12/1971 Johnson
 3,830,278 A * 8/1974 Packer B44D 3/185
 160/378
 3,914,887 A 10/1975 Newman
 3,978,905 A 9/1976 De Lama
 4,050,498 A 9/1977 Lucchetti
 4,076,438 A 2/1978 Bos
 4,161,977 A 7/1979 Baslow
 4,301,853 A 11/1981 Vidal
 4,373,279 A 2/1983 Abel
 4,432,150 A 2/1984 Swonger
 4,519,151 A 5/1985 Johnson
 4,565,020 A 1/1986 Beatriz
 4,637,147 A * 1/1987 Wolsey D06C 3/08
 144/347
 4,829,685 A 5/1989 Persson
 4,947,922 A 8/1990 Stobart
 5,076,162 A 12/1991 Goin
 5,271,171 A 12/1993 Smith
 5,405,146 A * 4/1995 Washington A47G 1/0605
 273/157 R
 D394,671 S * 5/1998 McGuire D19/113
 5,839,214 A * 11/1998 Peterson B44D 3/185
 38/102.4

5,918,392 A 7/1999 Bates
 6,138,741 A 10/2000 Stobart
 6,497,268 B1 12/2002 Peppett
 6,520,240 B2 2/2003 Sooklaris
 6,757,997 B1 * 7/2004 Burroughs D05C 1/02
 38/102.6
 D548,981 S * 8/2007 Ernetoft D6/300
 7,735,541 B2 6/2010 Ocampo
 7,784,202 B2 * 8/2010 Van Beeten B44D 3/185
 160/378
 8,069,783 B2 12/2011 Hall
 8,122,624 B2 2/2012 Vaz
 8,307,880 B2 11/2012 Ocampo
 8,353,327 B2 * 1/2013 Domingue B44D 3/185
 160/371
 8,490,545 B2 7/2013 Hall
 8,752,312 B2 6/2014 Vaz
 8,793,910 B2 8/2014 Froio
 8,936,065 B1 * 1/2015 Gillespie B44D 3/185
 160/371
 D796,943 S * 9/2017 Roy D8/382
 2004/0244924 A1 12/2004 Peppett
 2008/0277078 A1 11/2008 Sawyer
 2009/0057364 A1 3/2009 Ocampo
 2012/0227293 A1 9/2012 Vaz
 2014/0060761 A1 3/2014 Evers

FOREIGN PATENT DOCUMENTS

FR 2937901 A1 5/2010
 GB 1437399 A 5/1976
 NL 7612062 A 5/1978

OTHER PUBLICATIONS

Stretcher Bars by Artist's Loft [online], [site visited Jun. 23, 2020]. Available from internet, URL: <https://www.michaels.com/stretcher-bars-by-artists-loft/M10496250.html?dwvar_M10496250_size=10%20in> (Year: 2020).*

Wooden Canvas Stretcher Bars [online], [site visited Jun. 23, 2020]. Available from internet, URL: <https://www.canvaschamp.com/accessories/stretcher-bars?utm_source=google_shopping_ads&utm_medium=cpc> (Year: 2020).*

Epic Art Group Solid Wood Stretcher Bars for Canvas Art or Needlepoint [online], [site visited Jun. 23, 2020]. Available from internet, URL: <https://www.amazon.com/Epic-Art-Group-EAG-BAR16LD-Needlepoint/dp/B07WWBRMF8/ref=sr_1_5?dchild=1&keywords=canvas%2Bstretcher&qid=%E2%80%A6> (Year: 2019).*

* cited by examiner

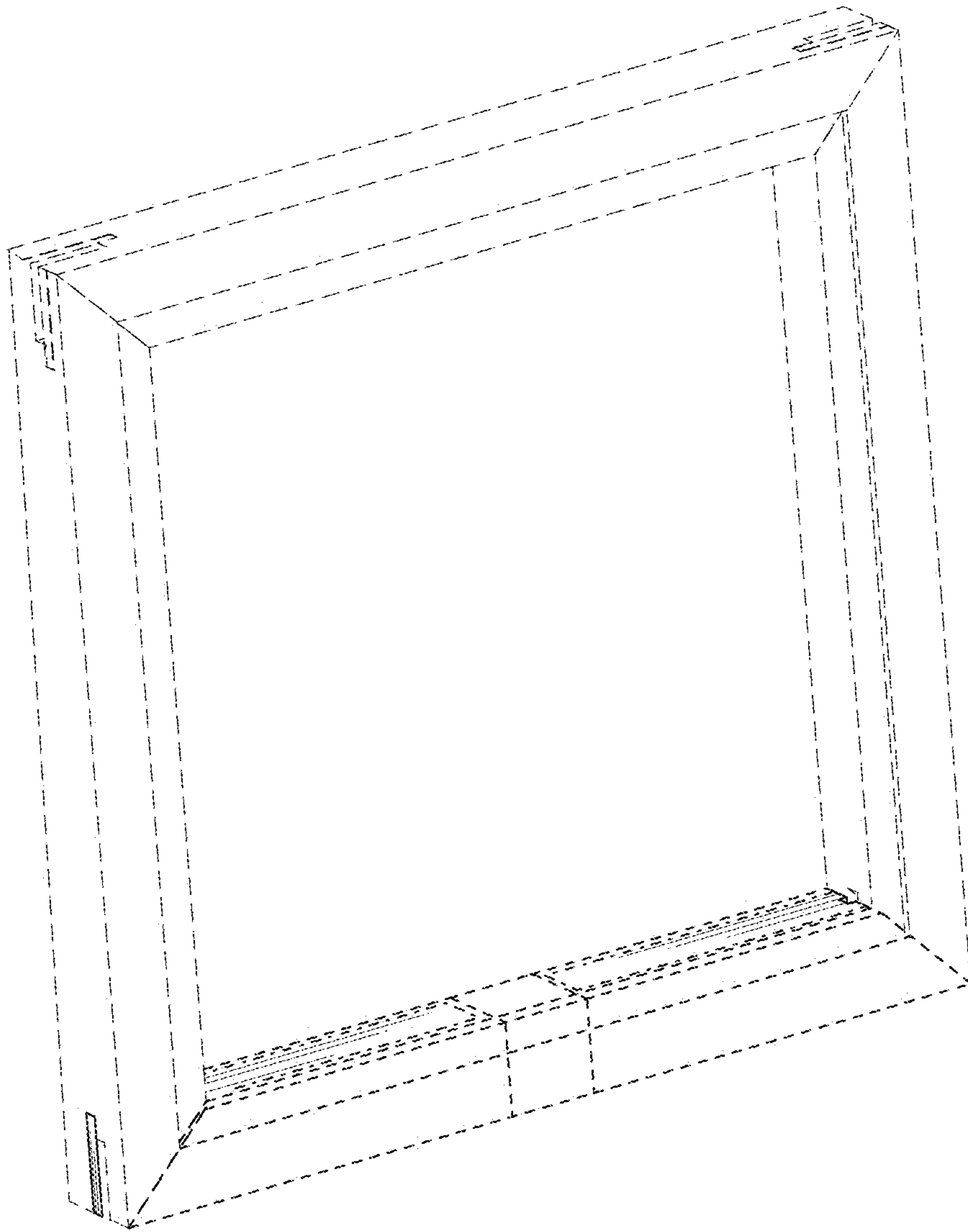


FIG. 1

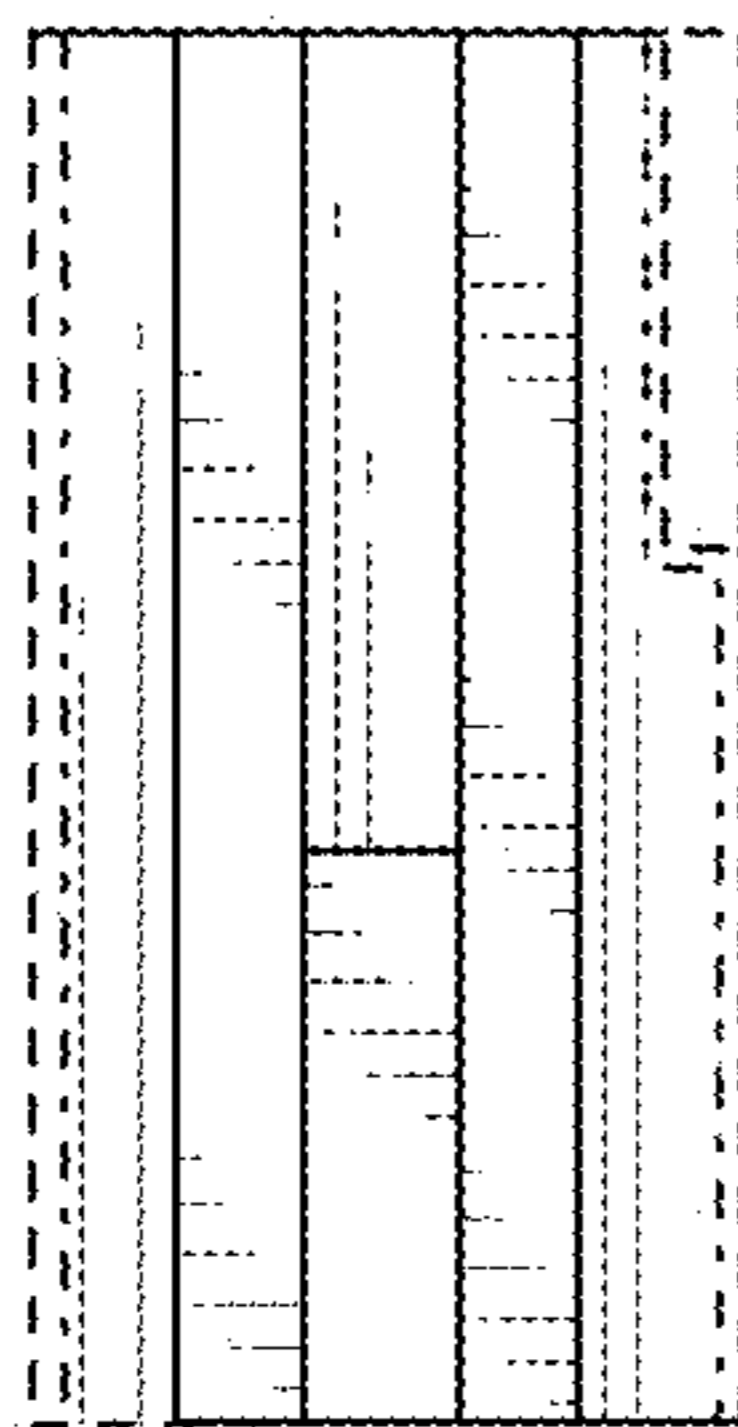


FIG. 8

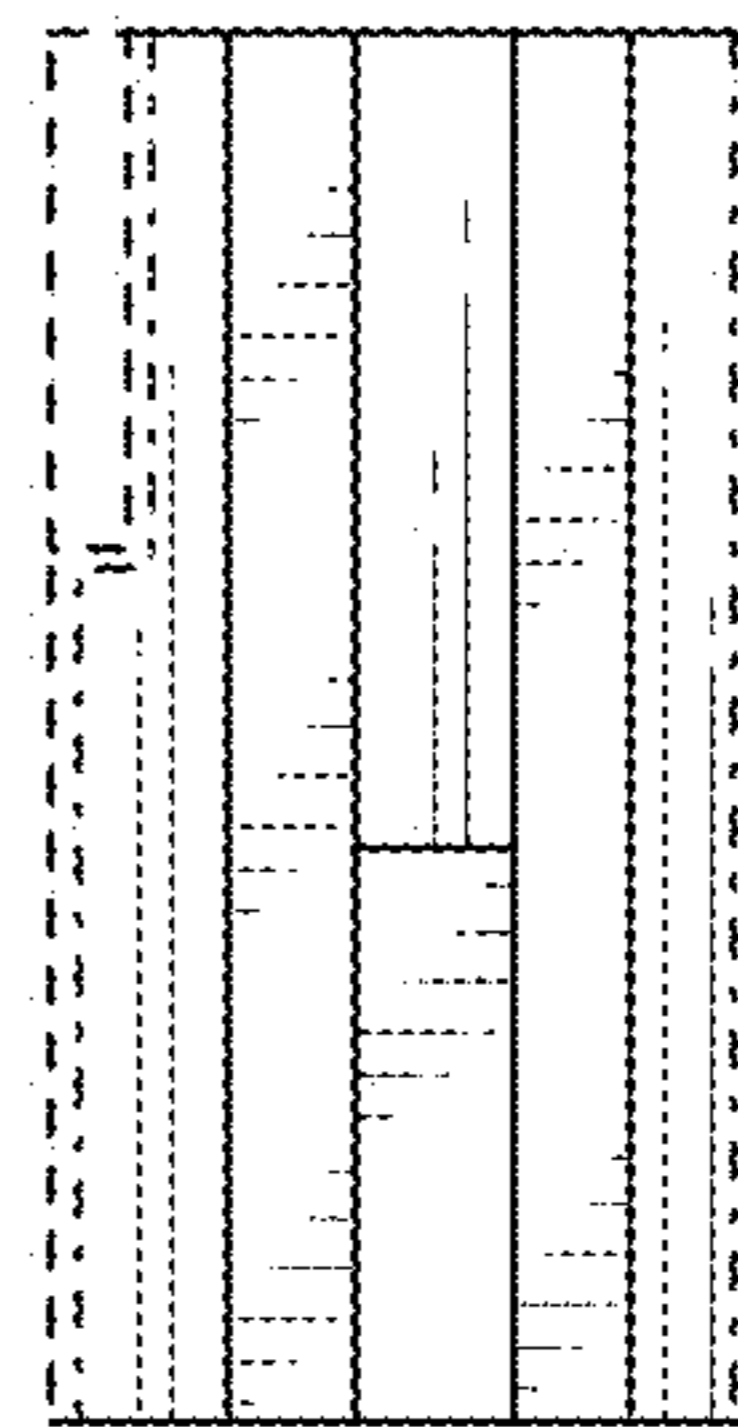
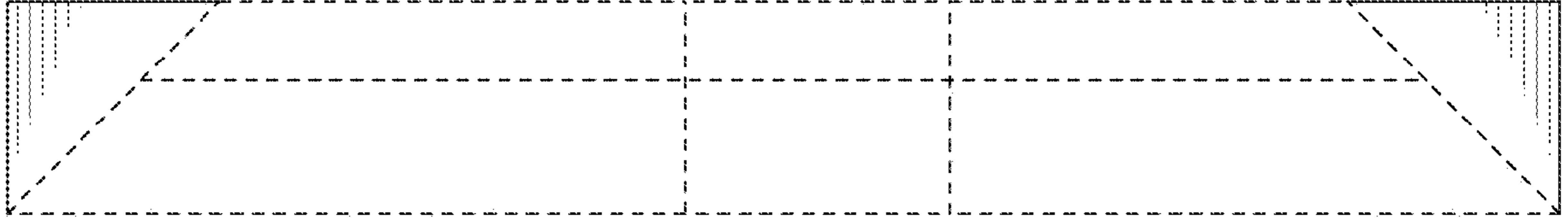
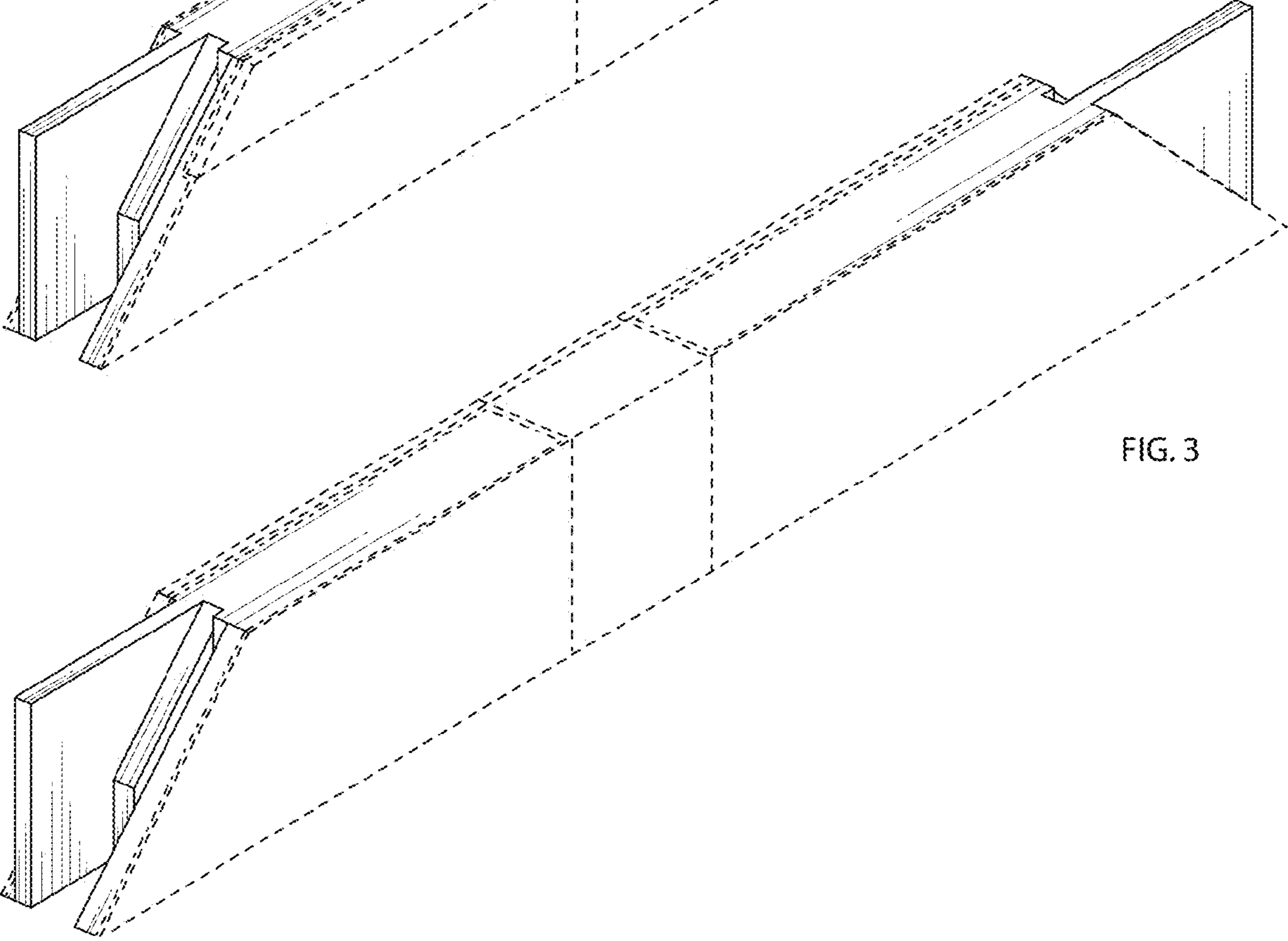
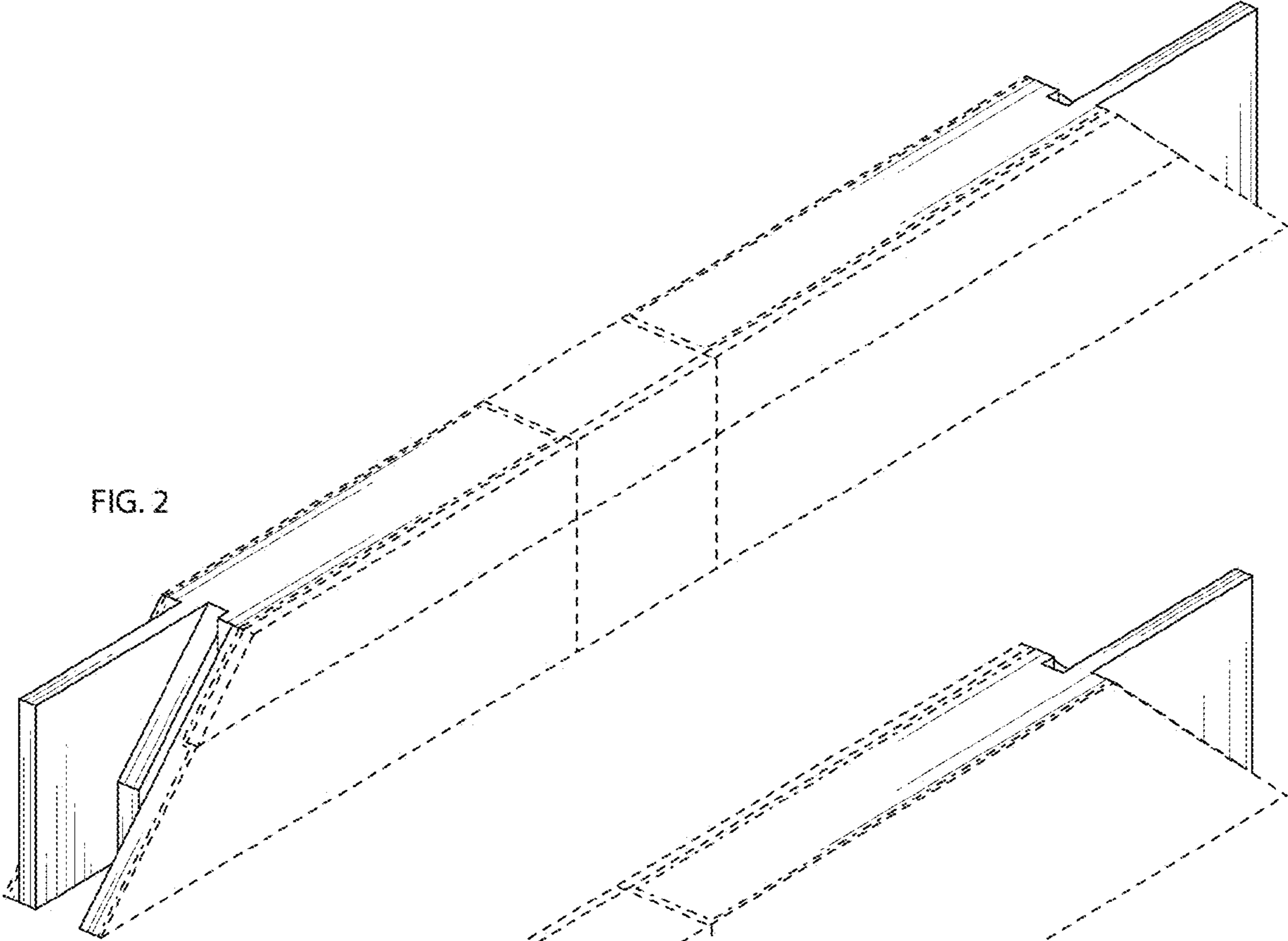


FIG. 9



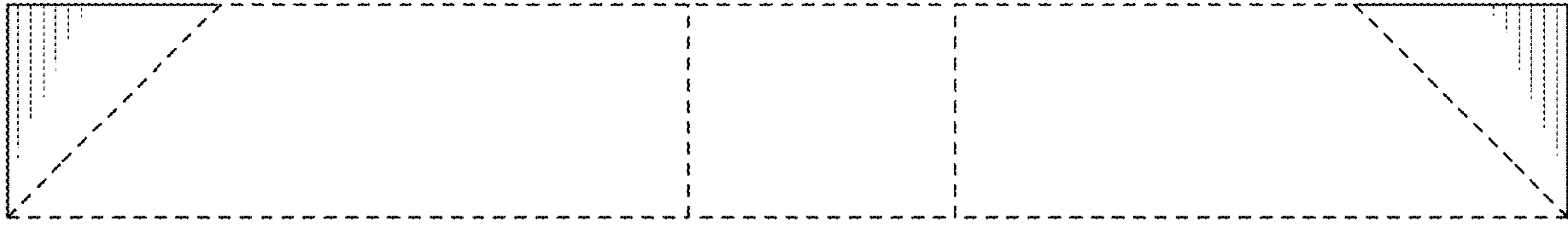


FIG. 5



FIG. 6

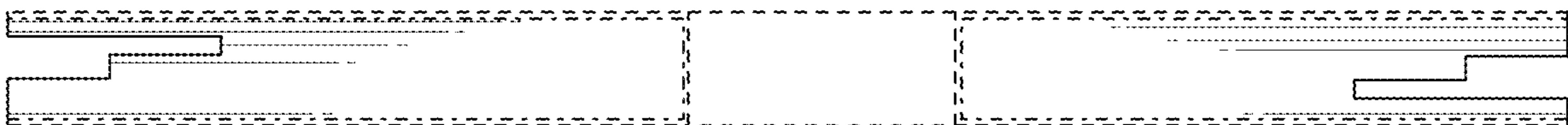


FIG. 7