

US00D909767S

(12) **United States Design Patent** (10) **Patent No.:** **US D909,767 S**
Katz et al. (45) **Date of Patent:** **** Feb. 9, 2021**

(54) **DECORATIVE MOUNTABLE FRAME**

(71) Applicant: **Mixtiles Ltd.**, Tel Aviv (IL)

(72) Inventors: **David Katz**, Tel Aviv (IL); **Nir Beit Av**, Mevo Hama (IL)

(73) Assignee: **MIXTILES LTD.**, Tel Aviv (IL)

(**) Term: **15 Years**

(21) Appl. No.: **29/639,886**

(22) Filed: **Mar. 9, 2018**

(51) **LOC (13) Cl.** **06-07**

(52) **U.S. Cl.**
USPC **D6/300**

(58) **Field of Classification Search**
USPC D6/300–314
CPC A47G 1/06; A47G 1/065; A47G 1/0605;
A47G 1/00; A47G 1/12; A47G 1/17;
A47G 2001/0666; A47G 2001/0672;
A47G 2001/0677; A47G 2001/0661;
A47G 1/1606; G03B 21/64; G09F 15/00;
G09F 15/0006; G09F 15/0012; F16B
47/00; F16B 47/003

See application file for complete search history.

(56) **References Cited**

U.S. PATENT DOCUMENTS

- D432,667 S * 10/2000 Moller D25/60
- D594,236 S * 6/2009 Sidiropoulos D14/450
- 7,624,547 B1 * 12/2009 Brinton E04D 13/0305
52/198
- D654,703 S * 2/2012 Lemay D6/300
- D697,723 S * 1/2014 Pirayesh D6/300
- D699,447 S * 2/2014 Pirayesh D6/300
- 10,624,473 B1 * 4/2020 Tsai A47G 1/06
- D884,148 S * 5/2020 Branham D23/393
- 2001/0045039 A1 * 11/2001 Lee A47G 1/0622
40/714

- 2005/0016046 A1 * 1/2005 Larson A47G 1/06
40/768
- 2005/0044767 A1 * 3/2005 Lasher A47G 1/065
40/757
- 2018/0080272 A1 * 3/2018 Fujishin E06B 1/18
(Continued)

FOREIGN PATENT DOCUMENTS

- CA 182263 S 5/2019
- CA 183024 S 5/2019
- CA 183415 S 5/2019

(Continued)

OTHER PUBLICATIONS

“How to Hang Picture Frames Without Nails” via Mommy Blogger Sigrid, available Oct. 10, 2014, [online], [site visited Jul. 31, 2020]. Available from internet, URL: <https://www.lovinglymama.com/mounting-picture-frames-on-a-photo-wall-using-3m-double-sided-bonding-tape/> (Year: 2014).*

(Continued)

Primary Examiner — W. A. Teddy Falloway
(74) *Attorney, Agent, or Firm* — The Roy Gross Law Firm, LLC; Roy Gross

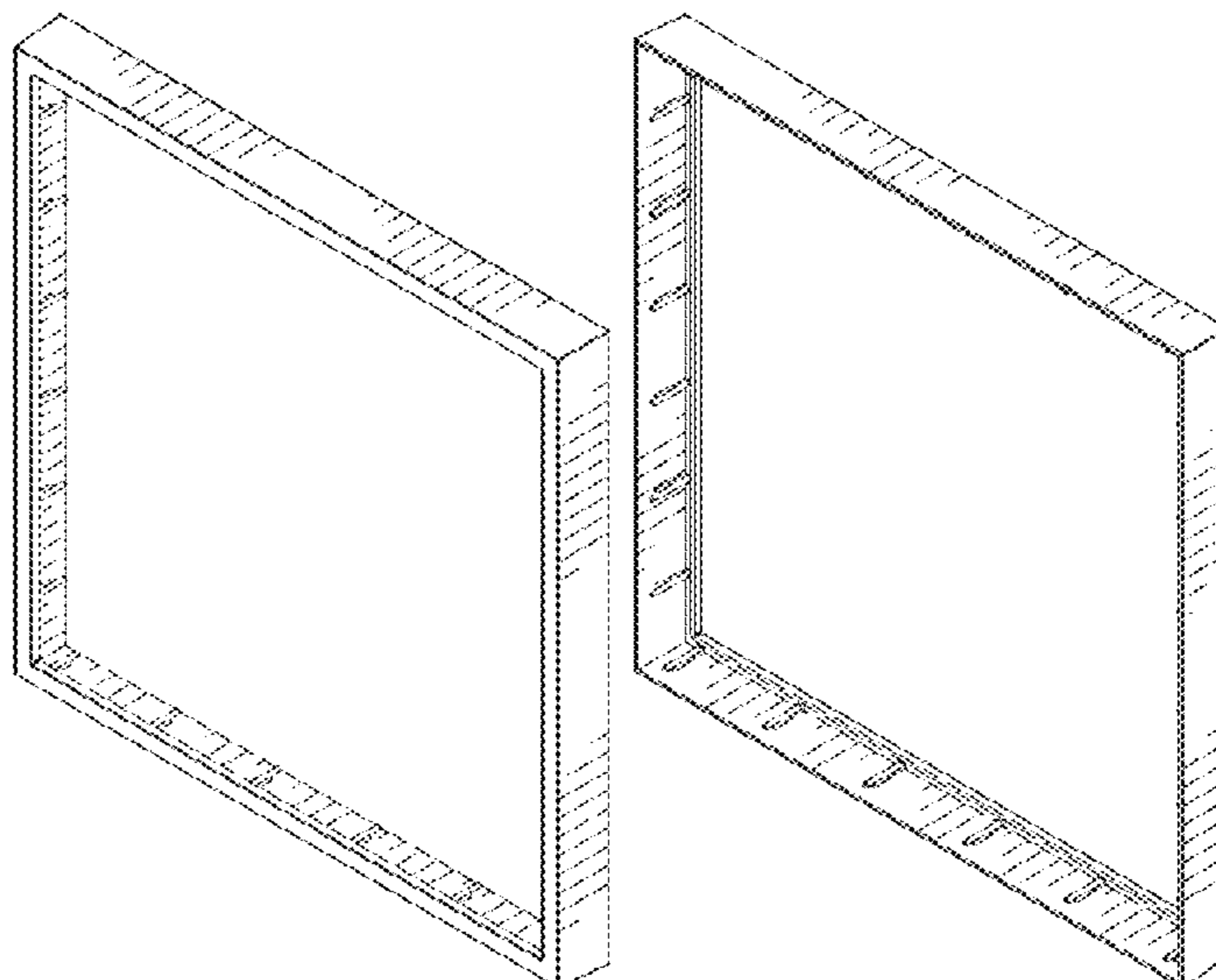
(57) **CLAIM**

The ornamental design for a decorative mountable frame, as shown and described.

DESCRIPTION

FIG. 1 is a front, top, right perspective view of a decorative mountable frame showing our design;
FIG. 2 is a back, top, left perspective view thereof;
FIG. 3 is a front view thereof;
FIG. 4 is a rear view thereof;
FIG. 5 is a left side view thereof;
FIG. 6 is a right side view thereof;
FIG. 7 is a top view thereof; and,
FIG. 8 is a bottom view thereof.

1 Claim, 4 Drawing Sheets



(56)

References Cited

U.S. PATENT DOCUMENTS

2020/0060444 A1* 2/2020 Katz A47G 1/065
2020/0242983 A1* 7/2020 Haggar A47G 1/06

FOREIGN PATENT DOCUMENTS

CA 183416 * 5/2019
EM 005633153-0002 * 9/2018
EP 005617545-0002 S 8/2018
EP 005633153-0001 S 8/2018

OTHER PUBLICATIONS

Flikframe: World's 1st re-stickable, collapsible photo frame (via Kickstarter), available Nov. 14, 2017, [online], [site visited Jul. 31, 2020]. Available from internet, URL: <https://www.kickstarter.com/projects/flikframe/flikframe-picture-frames-that-dont-mess-up-your-wa> (Year: 2017).*

* cited by examiner

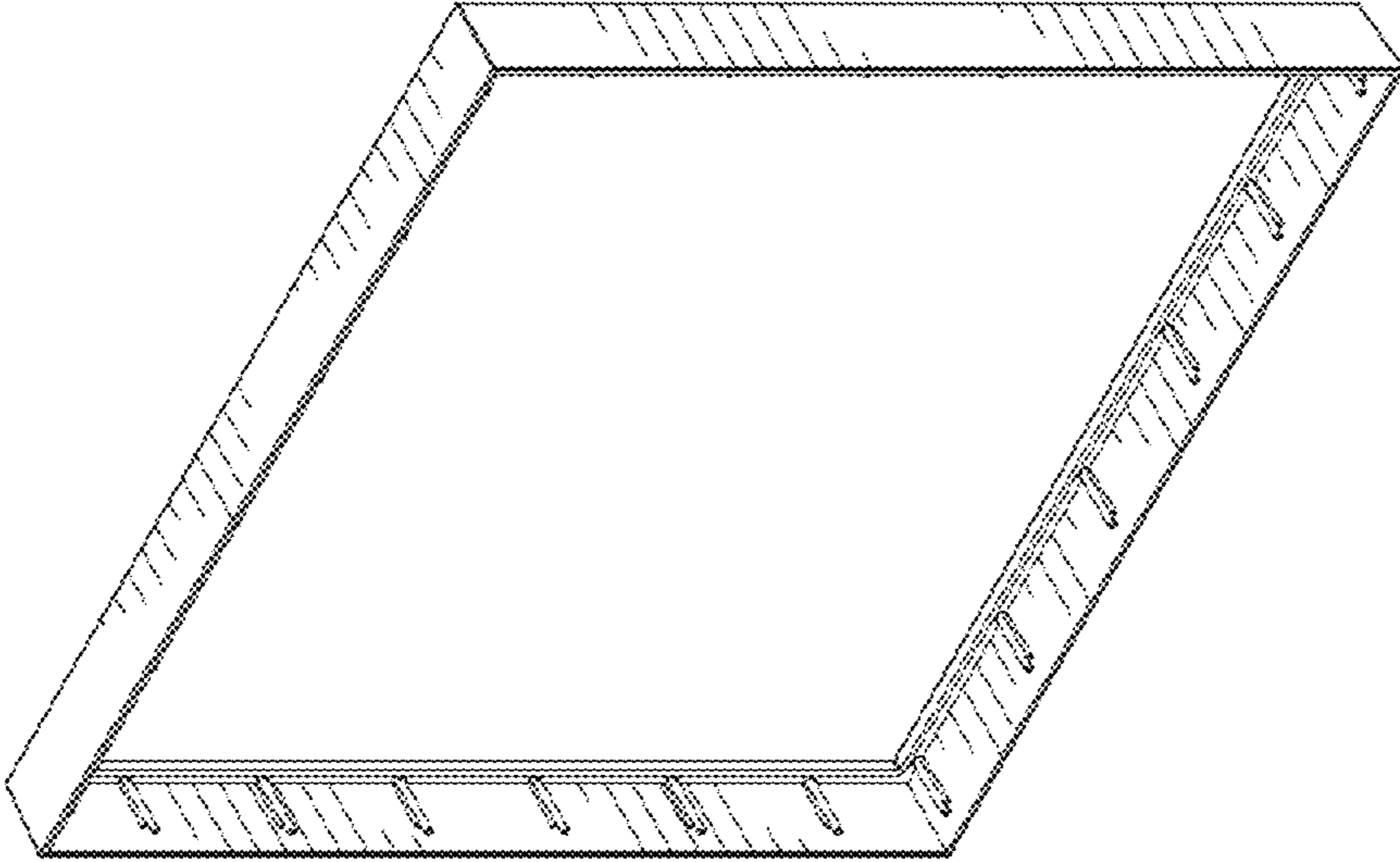


FIG. 1

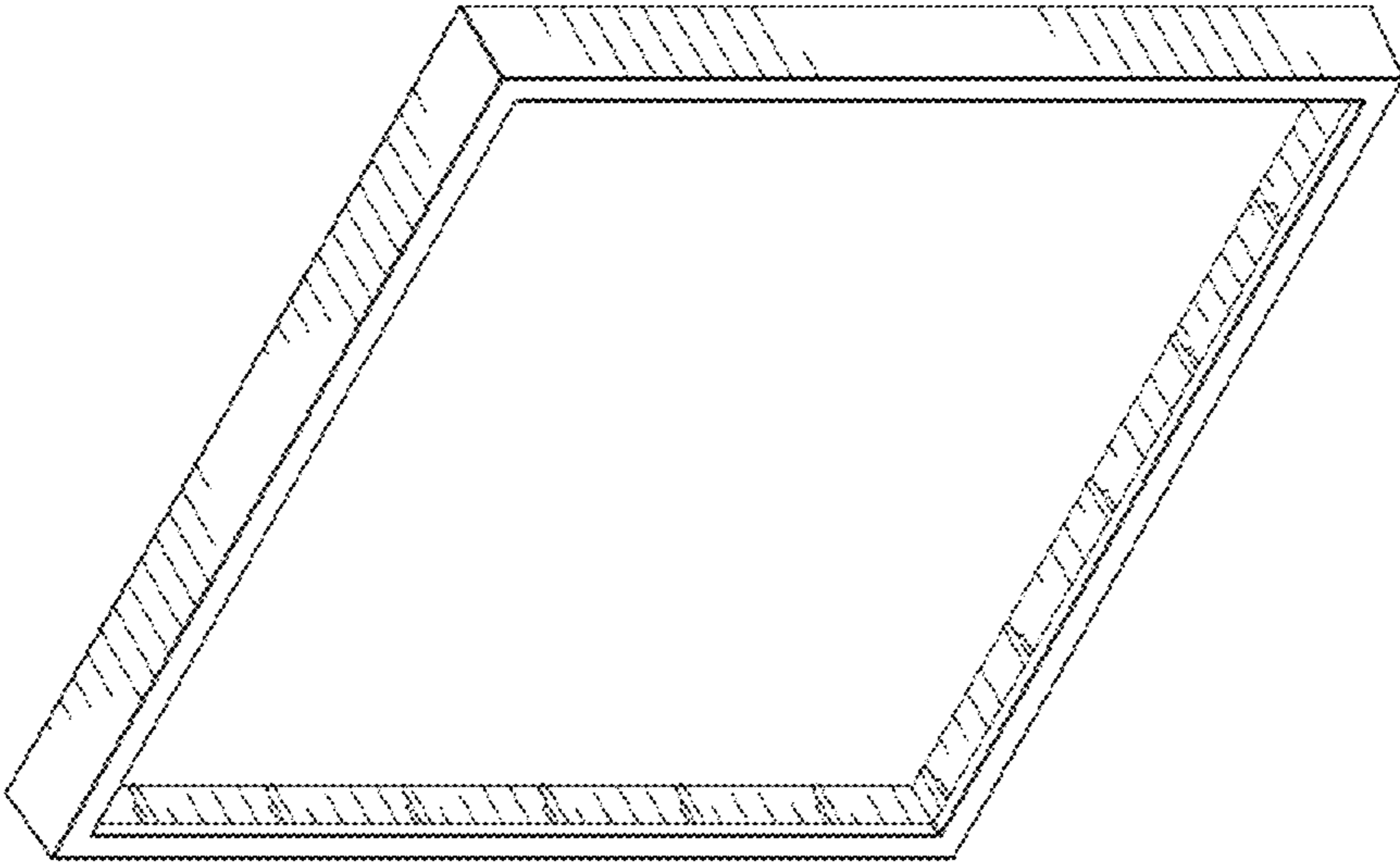


FIG. 2

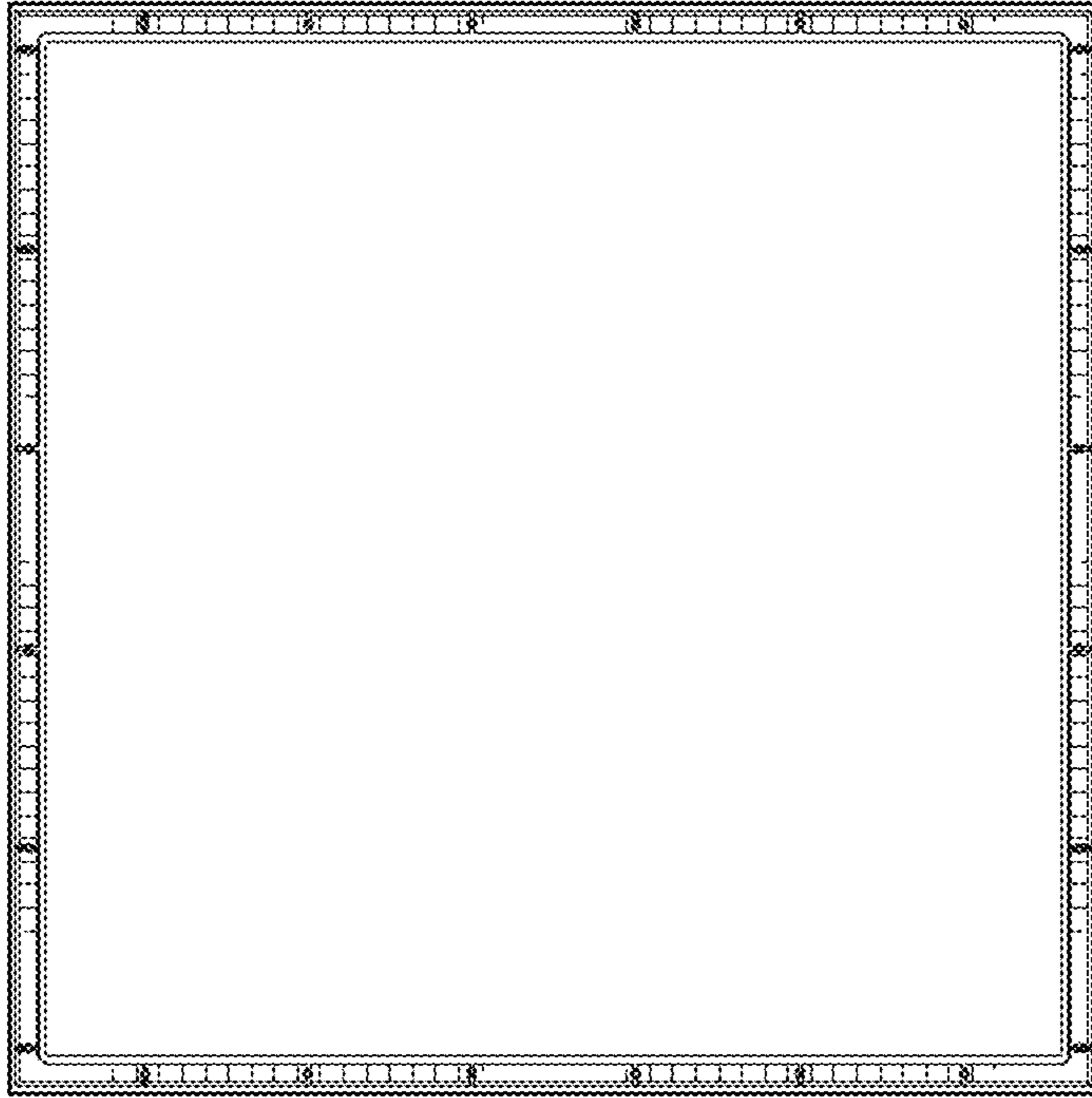


FIG. 4

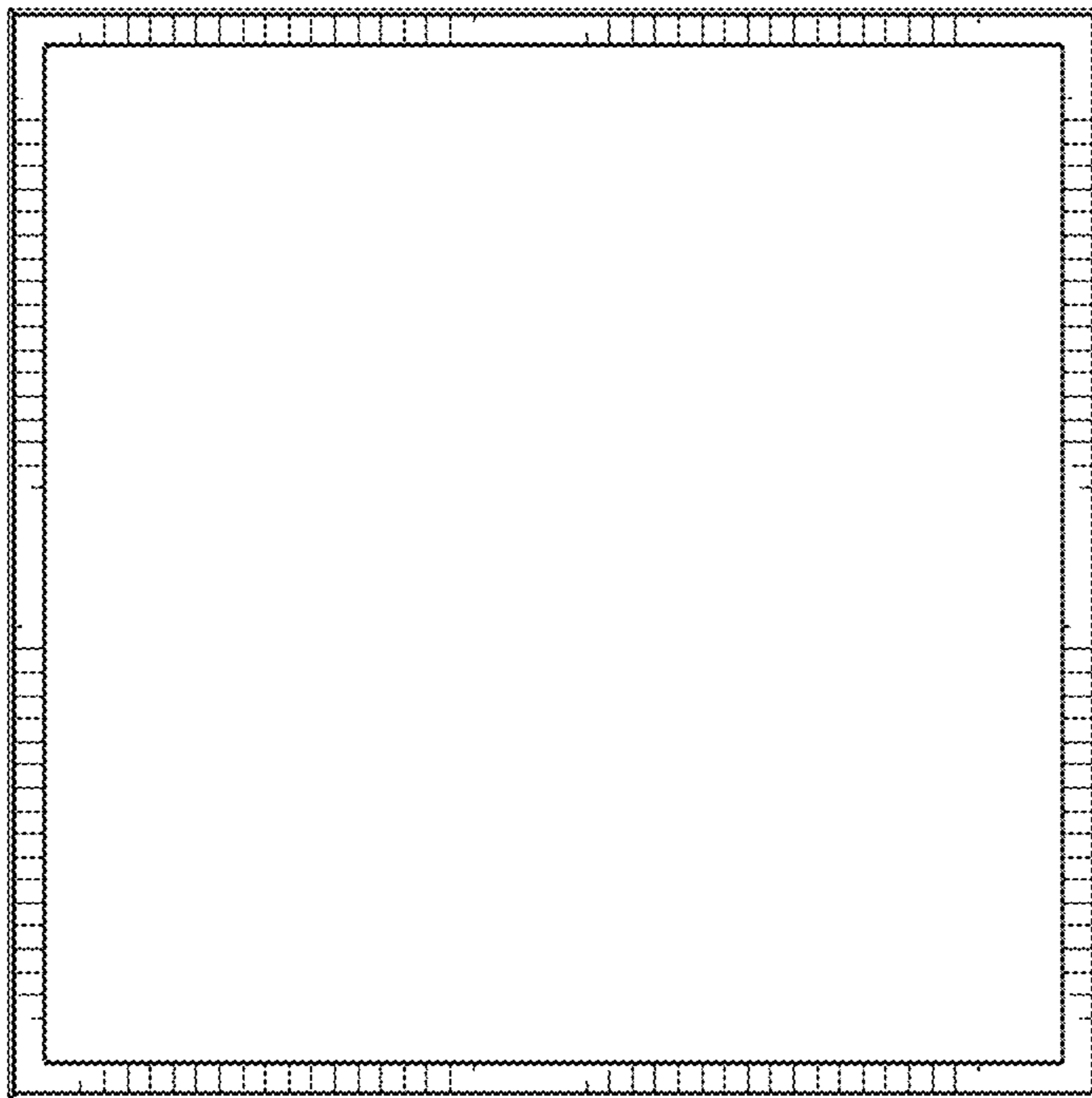


FIG. 3



FIG. 6



FIG. 5



FIG. 7



FIG. 8