

US00D909758S

(12) **United States Design Patent** (10) **Patent No.:** **US D909,758 S**
Nolan (45) **Date of Patent:** **** Feb. 9, 2021**

(54) **BAG HOLDER**
(71) Applicant: **Tidy Ideas LLC**, Screven, GA (US)
(72) Inventor: **Vernon L. Nolan**, Screven, GA (US)
(73) Assignee: **Tidy Ideas LLC**, Screven, GA (US)
(**) Term: **15 Years**
(21) Appl. No.: **29/704,564**
(22) Filed: **Sep. 5, 2019**
(51) **LOC (13) Cl.** **03-01**
(52) **U.S. Cl.**
USPC **D3/328**
(58) **Field of Classification Search**
USPC D3/328; D34/28; D9/434, 455
CPC A45F 5/1026; A45F 2005/1033; A45F
5/102; B65G 7/12
See application file for complete search history.

(56) **References Cited**
U.S. PATENT DOCUMENTS
D276,586 S * 12/1984 Hanna D34/28
D281,565 S * 12/1985 Stourton 248/229.16
5,009,540 A * 4/1991 Nolan F16B 5/0692
160/327
D322,194 S * 12/1991 Egan, Jr. D7/708.1
D323,592 S * 2/1992 Masacek D6/708
D334,112 S * 3/1993 Carter D7/552.1
D476,815 S * 7/2003 Richter D3/328

D489,263 S * 5/2004 Sinanian D9/455
D601,420 S * 10/2009 Miceli, Jr. D9/434
D603,262 S * 11/2009 Dickinson D20/42
D775,906 S * 1/2017 Edwards D7/708.1
D790,345 S * 6/2017 Nolan D9/455
2006/0064852 A1* 3/2006 Willems A45F 5/1026
16/444
2014/0326762 A1* 11/2014 Nolan B60R 7/043
224/275
2016/0242535 A1* 8/2016 Tinney A45F 5/1026
* cited by examiner

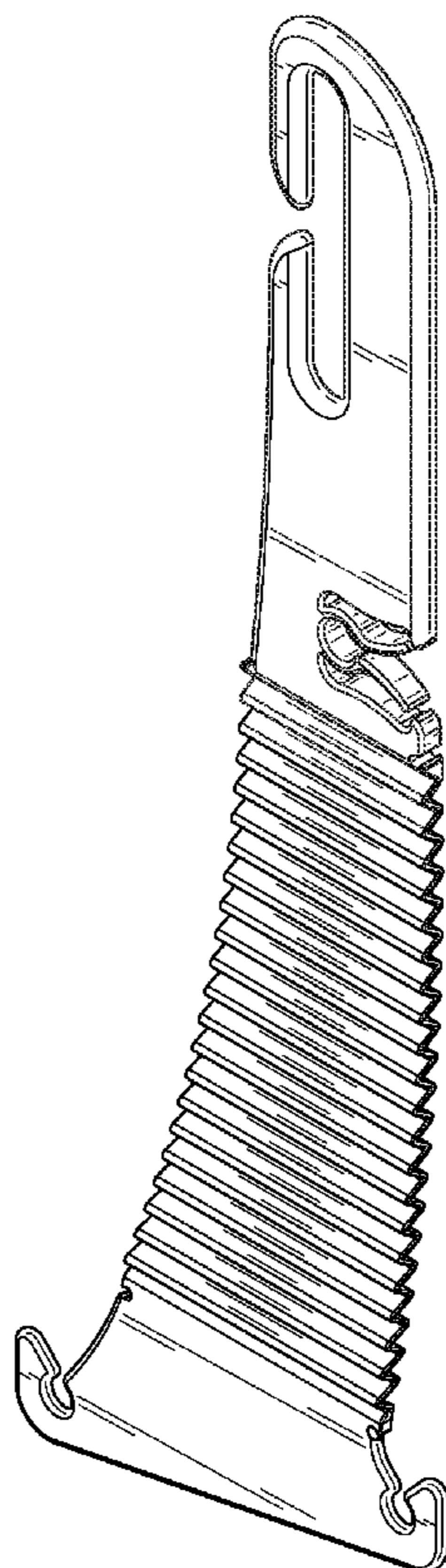
Primary Examiner — Holly H Baynham
(74) *Attorney, Agent, or Firm* — Venable LLP

(57) **CLAIM**
The ornamental design for a bag holder, as shown and described.

DESCRIPTION

FIG. 1 is a perspective view of a bag holder according to an embodiment of the claimed design;
FIG. 2 is a front view of the bag holder of FIG. 1;
FIG. 3 is a rear view of the bag holder of FIG. 1;
FIG. 4 is a left-side view of the bag holder of FIG. 1;
FIG. 5 is a right-side view of the bag holder of FIG. 1;
FIG. 6 is a top view of the bag holder of FIG. 1; and,
FIG. 7 is a bottom view of the bag holder of FIG. 1.
The features shown in broken lines represent portions of the bag holder which form no part of the claimed design.

1 Claim, 5 Drawing Sheets



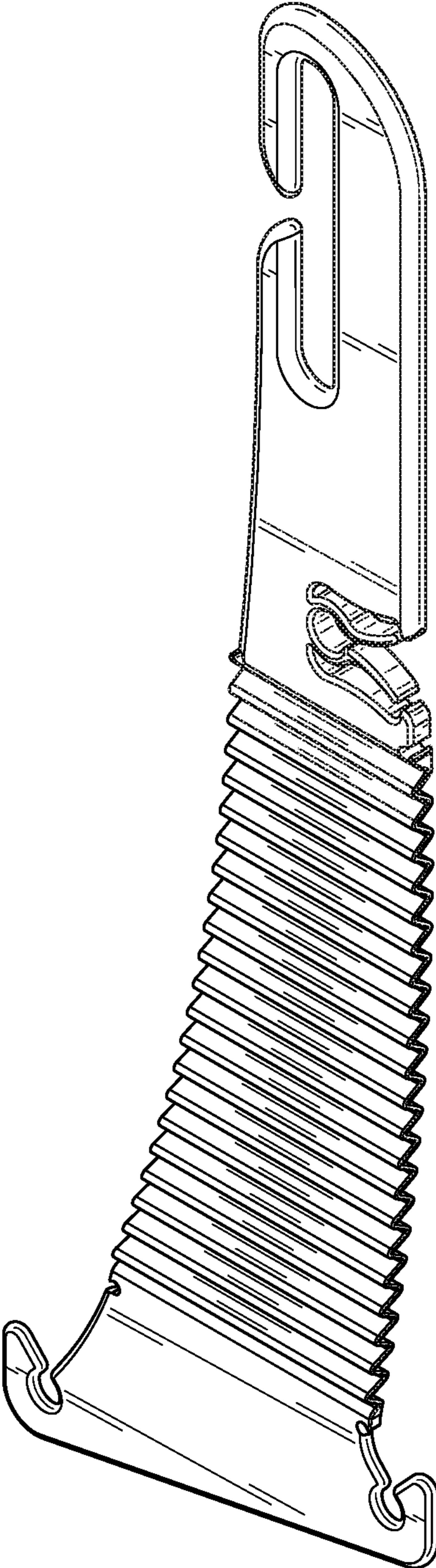


FIG. 1

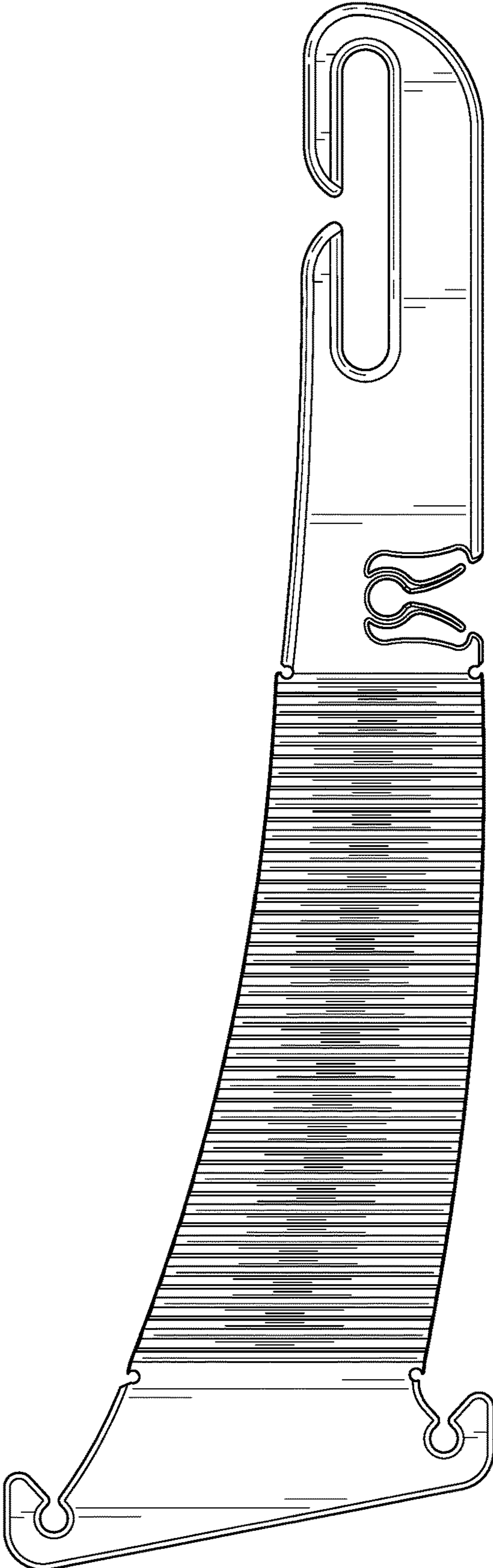


FIG. 2

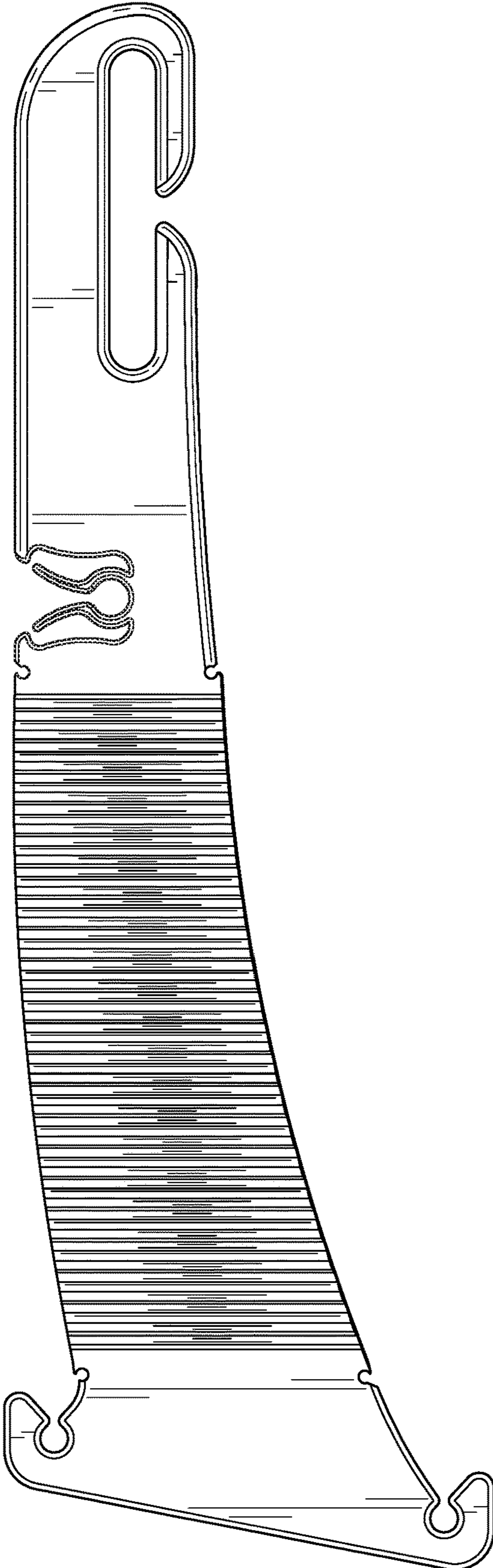


FIG. 3



FIG. 4



FIG. 5



FIG. 6

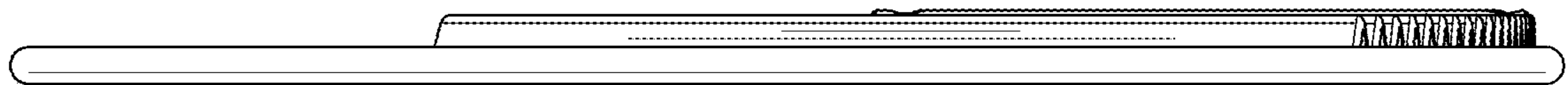


FIG. 7