



US00D909757S

(12) **United States Design Patent**
Eriksson

(10) **Patent No.:** **US D909,757 S**

(45) **Date of Patent:** **** Feb. 9, 2021**

(54) **WHEEL**

(71) Applicant: **Thule Sweden AB**, Hillerstorp (SE)

(72) Inventor: **Henrik Eriksson**, Jönköping (SE)

(73) Assignee: **Thule Sweden AB**, Hillerstorp (SE)

(**) Term: **15 Years**

(21) Appl. No.: **29/705,314**

(22) Filed: **Sep. 11, 2019**

Related U.S. Application Data

(63) Continuation of application No. 29/638,005, filed on Feb. 23, 2018, now Pat. No. Des. 863,765.

(51) **LOC (13) Cl.** **03-99**

(52) **U.S. Cl.**

USPC **D3/318**

(58) **Field of Classification Search**

USPC D3/318, 255, 273, 279, 281, 283,
D3/286-287, 902; D12/129, 130, 133,
D12/213, 204; D8/375; D15/17;
D21/423, 533, 779; D7/605

CPC B60B 33/0049; B60B 33/0057; B60B
33/0068; B60B 33/0073; B60B 33/023;
B60B 33/025; B60B 33/045; B60B 5/02;
B60G 2204/143; B60G 2204/4502; B60G
2300/37; B60G 3/00; B60G 7/02; B60G
7/04; B60Y 2200/83; B62D 1/06

See application file for complete search history.

(56) **References Cited**

U.S. PATENT DOCUMENTS

1,701,469 A * 2/1929 Baker B60B 23/04
152/45
D372,697 S * 8/1996 Echazabal D12/209
D380,804 S * 7/1997 Gulla D12/207
D396,174 S * 7/1998 Schultz D15/17
D397,663 S * 9/1998 Chrysanto D12/209

D399,458 S * 10/1998 Ziegler D12/129
D421,241 S * 2/2000 Espenshade D12/129
D429,606 S * 8/2000 Israel D7/605
6,532,623 B1 * 3/2003 Watanabe B60B 33/0057
16/35 D
D473,379 S * 4/2003 Moon D3/318
D475,323 S * 6/2003 Hallgrimsson D12/130
D491,366 S * 6/2004 Van Himbeek D3/318
D494,364 S * 8/2004 Burgess D3/279
D570,757 S * 6/2008 Kiesel D12/209
D576,795 S * 9/2008 Moon D3/318
D578,045 S * 10/2008 Liao D12/129

(Continued)

OTHER PUBLICATIONS

“Thule Revolve 22” Carry-On Luggage”, First Available Jan. 14, 2019, Amazon.com, site visited Nov. 19, 2020: <https://www.amazon.com/Thule-Revolve-22-Carry-On-Luggage/dp/B07L5BY1JF?th=1> (Year: 2019).*

Primary Examiner — Jennifer L Watkins

Assistant Examiner — Samantha Lynne Brodowski

(74) *Attorney, Agent, or Firm* — Sterne, Kessler, Goldstein & Fox P.L.L.C.

(57) **CLAIM**

The ornamental design for a wheel, as shown and described.

DESCRIPTION

FIG. 1 is a perspective view of a wheel showing the claimed design;

FIG. 2 is a left side elevation view thereof;

FIG. 3 is a right side elevation view thereof;

FIG. 4 is a rear elevation view thereof;

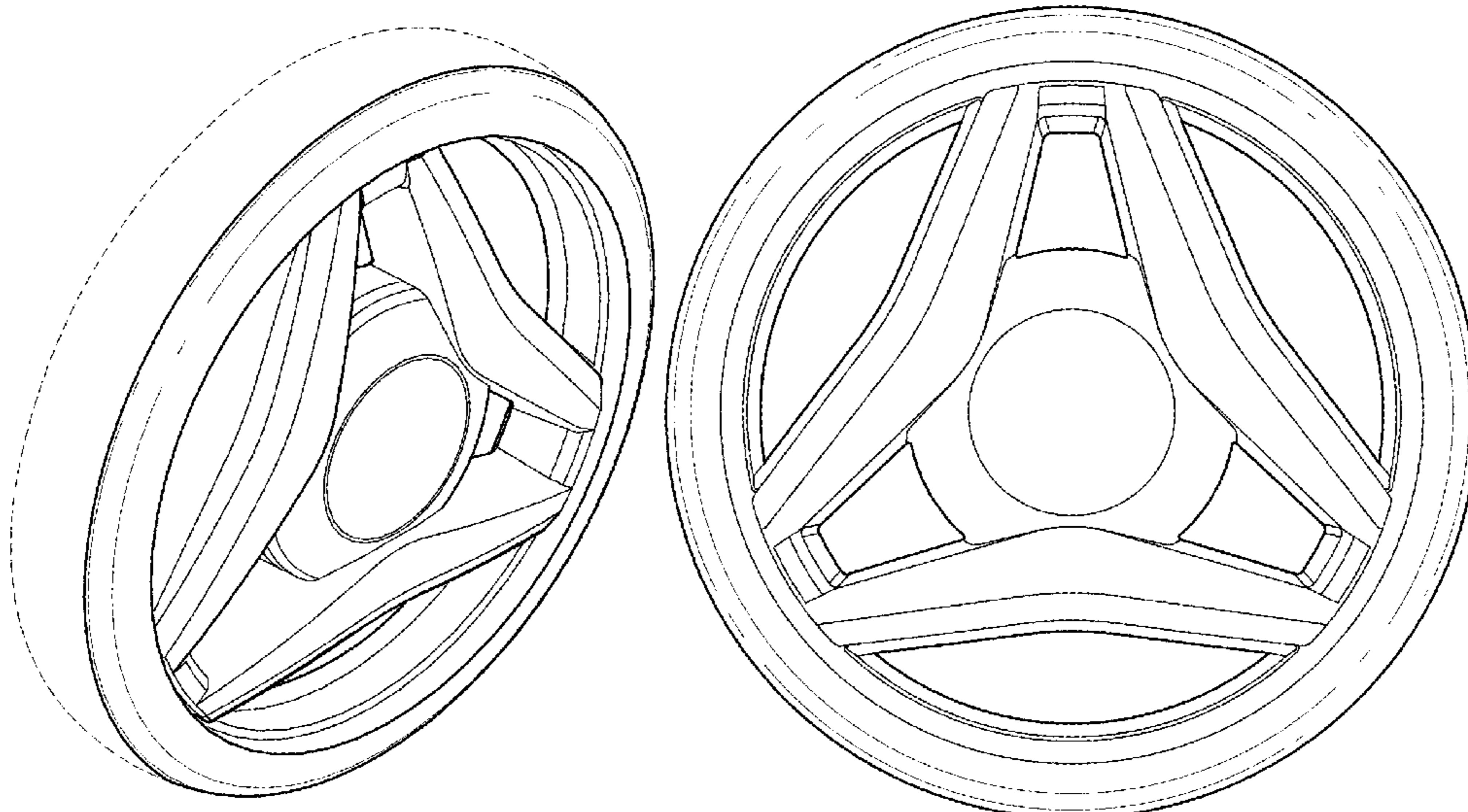
FIG. 5 is a front elevation view thereof;

FIG. 6 is a top plan view thereof; and,

FIG. 7 is a bottom plan view thereof.

The broken lines in the figures show portions of the wheel that form no part of the claimed design.

1 Claim, 7 Drawing Sheets



(56)

References Cited

U.S. PATENT DOCUMENTS

D579,827 S *	11/2008	Lake	D12/129
D596,400 S *	7/2009	Chu	D3/318
D634,124 S *	3/2011	Fair	D3/318
D652,216 S *	1/2012	Fair	D3/318
D726,078 S *	4/2015	Liao	D12/129
D735,022 S *	7/2015	Fan	D8/375
D747,669 S *	1/2016	Cheng	D12/129
D810,210 S *	2/2018	Lee	D21/533
D810,631 S *	2/2018	Silvestrin	D12/130
D816,576 S *	5/2018	Park	D12/209
D823,734 S *	7/2018	Myrene	D12/133
D838,783 S *	1/2019	Uchiyama	D21/423
D863,765 S *	10/2019	Eriksson	D3/318
D881,077 S *	4/2020	Son	D12/131
D893,879 S *	8/2020	Thibadeau	D3/318
2009/0314128 A1 *	12/2009	Rick	B62D 1/065 74/558
2013/0069334 A1 *	3/2013	Li	B60G 3/02 280/124.128
2014/0026367 A1 *	1/2014	Zhu	B60B 33/023 16/35 R
2015/0223384 A1 *	8/2015	Phely	B60B 7/04 172/536

* cited by examiner

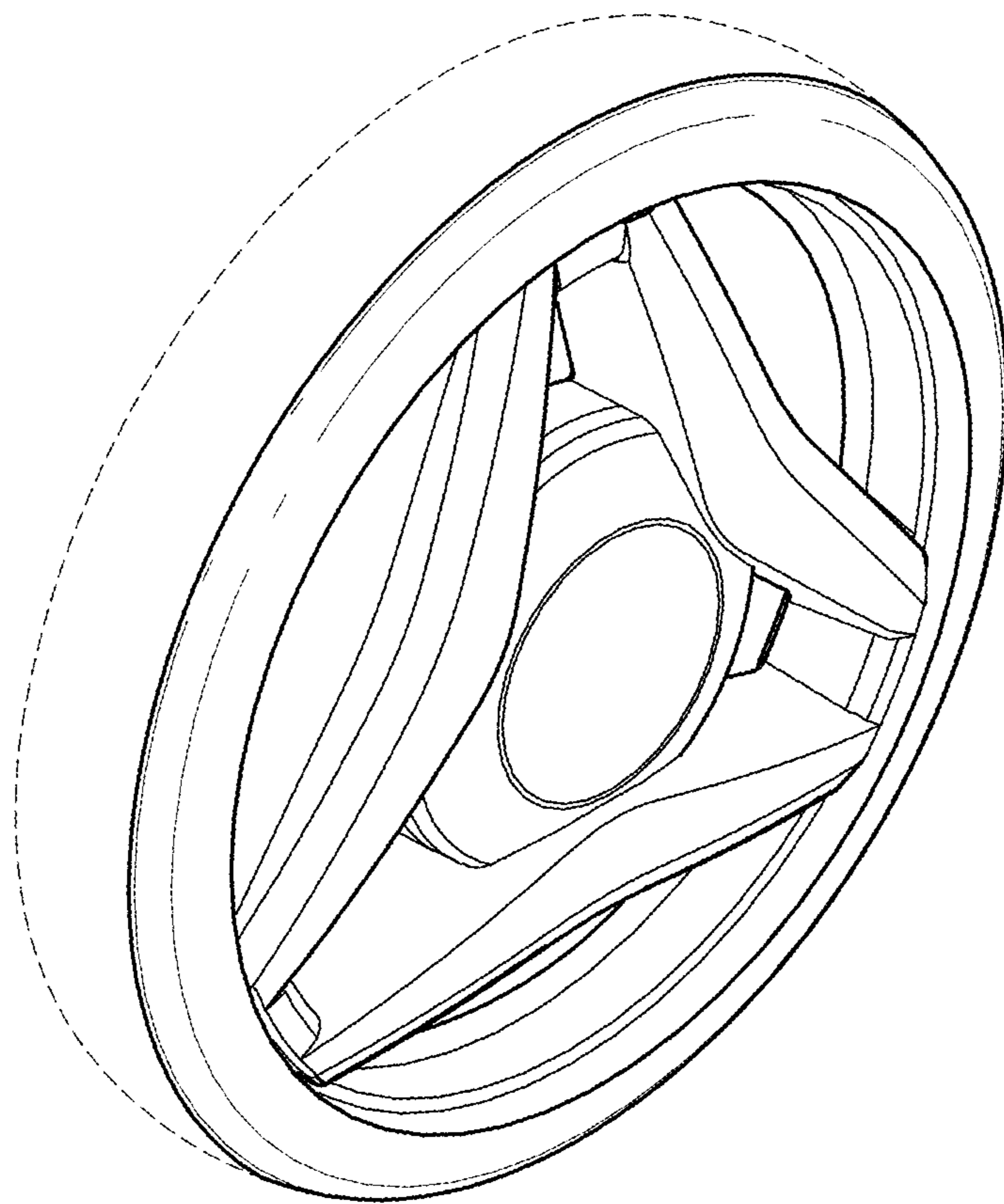


FIG. 1

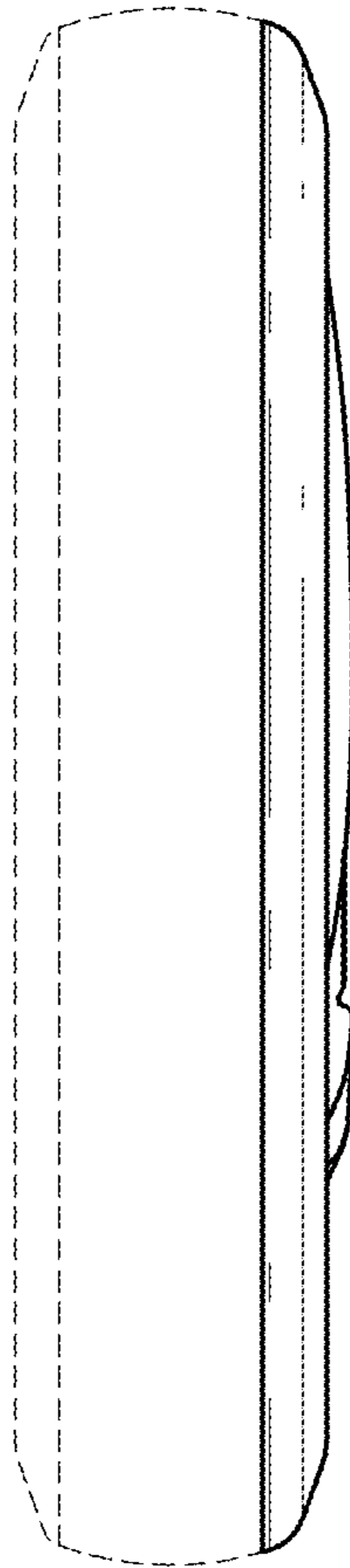


FIG. 2

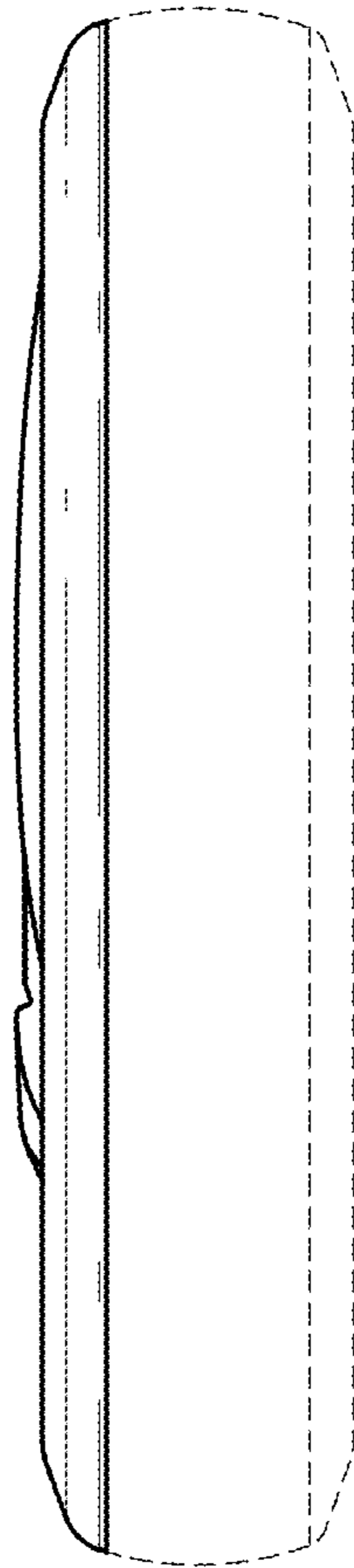


FIG. 3

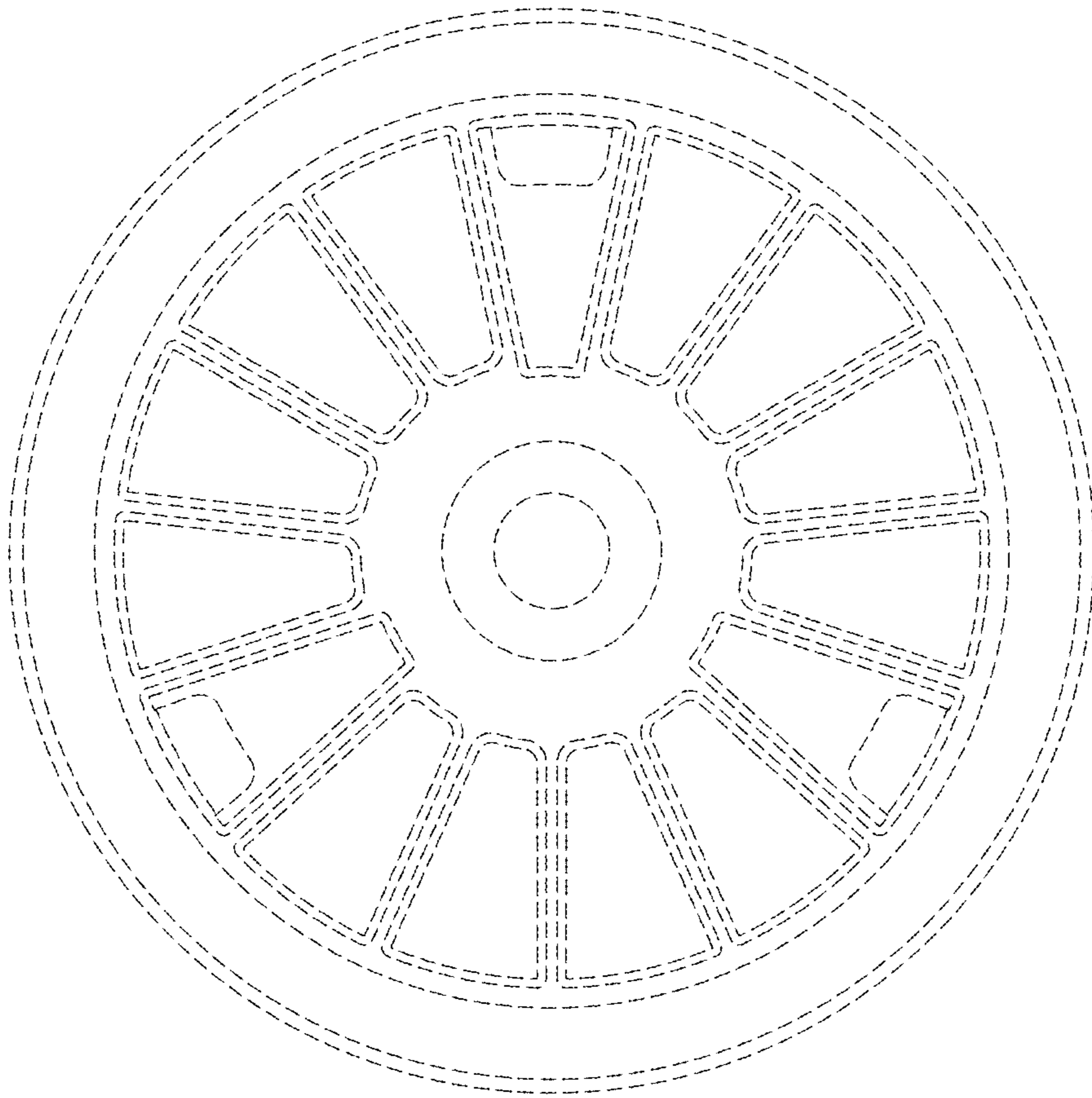


FIG. 4

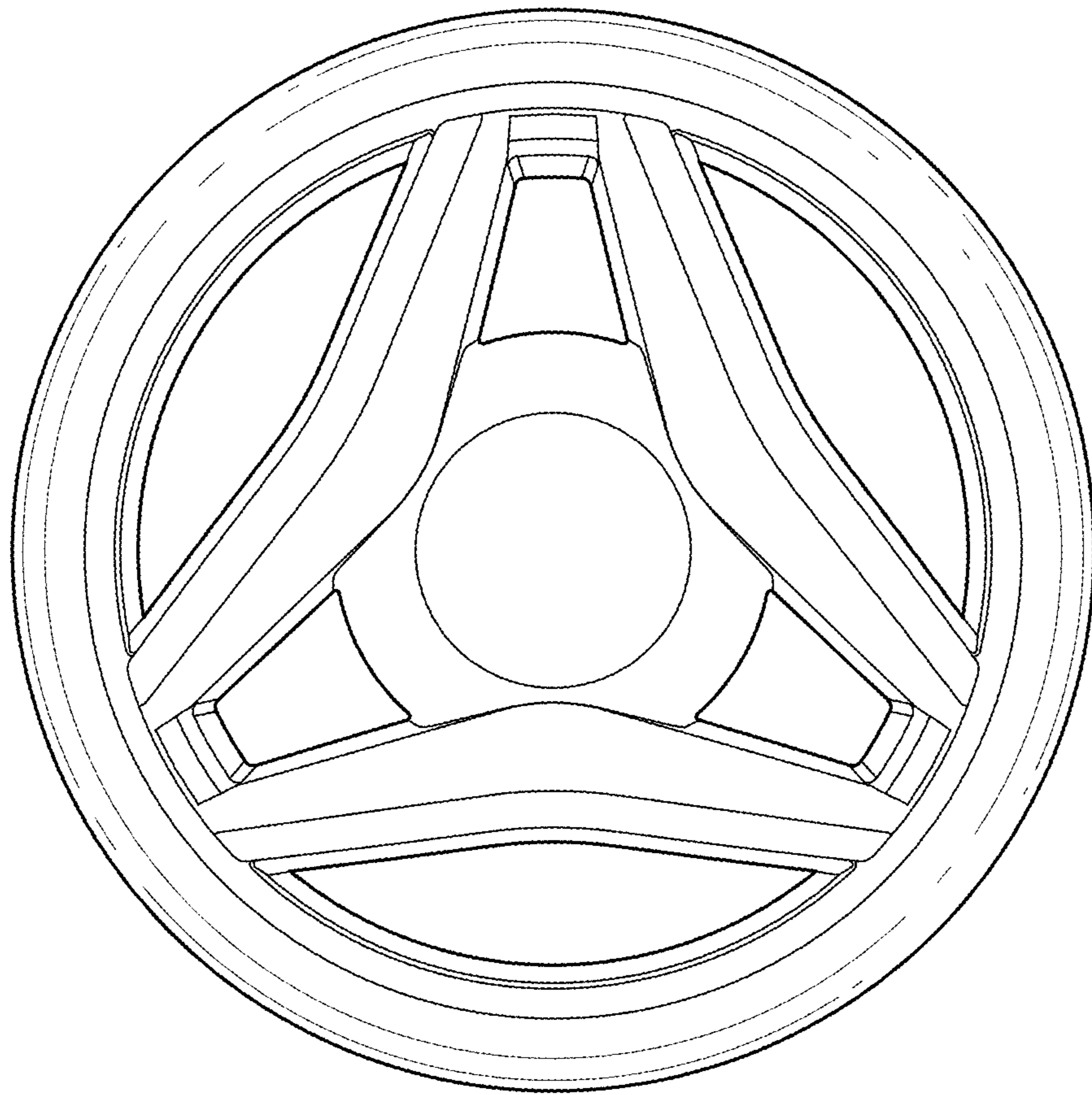


FIG. 5

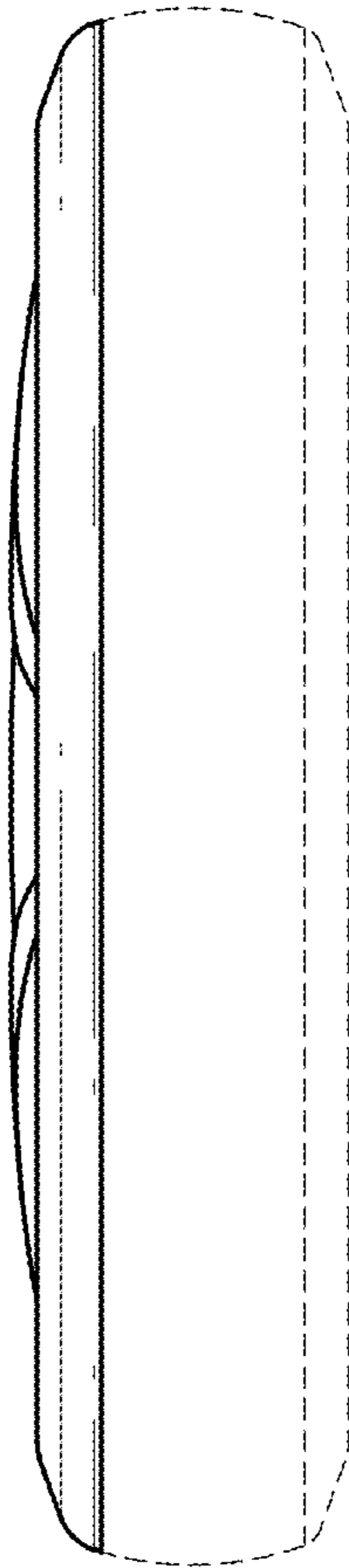


FIG. 6

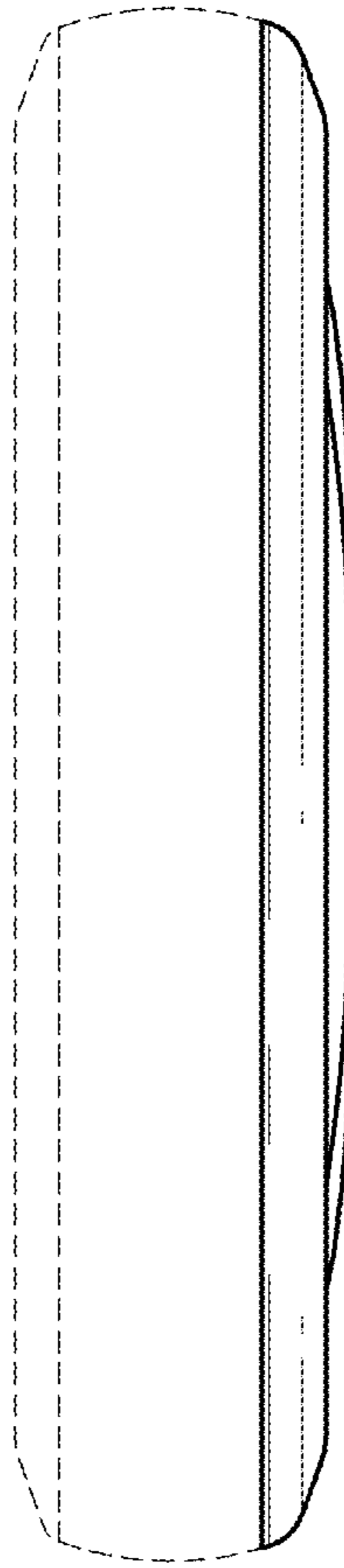


FIG. 7