



US00D909754S

(12) **United States Design Patent**  
**Umholtz**

(10) **Patent No.:** **US D909,754 S**

(45) **Date of Patent:** **\*\* Feb. 9, 2021**

(54) **DIAPER CONTAINER**

(71) Applicant: **Mason Adam Umholtz**, Sunnyvale, CA  
(US)

(72) Inventor: **Mason Adam Umholtz**, Sunnyvale, CA  
(US)

(73) Assignee: **Helen of Troy Limited**, St. Michael  
(BB)

(\*\*) Term: **15 Years**

(21) Appl. No.: **29/686,713**

(22) Filed: **Apr. 6, 2019**

(51) **LOC (13) Cl.** ..... **03-01**

(52) **U.S. Cl.**  
USPC ..... **D3/307**

(58) **Field of Classification Search**  
USPC ..... D3/304, 307, 310, 313, 315, 328;  
D6/672, 673, 678, 682, 683, 683.1  
CPC ..... B65D 1/24; B65D 2501/24; B65D 1/36;  
B25F 85/18  
See application file for complete search history.

(56) **References Cited**

**U.S. PATENT DOCUMENTS**

D364,961 S \* 12/1995 Rehrig ..... D3/307  
D695,346 S \* 12/2013 Kong ..... D19/78

D843,113 S \* 3/2019 Carter ..... D3/315  
D863,764 S \* 10/2019 Zemel ..... D3/310  
D880,162 S \* 4/2020 Zemel ..... D3/310  
D888,429 S \* 6/2020 Vega ..... D3/307  
2006/0261113 A1 \* 11/2006 Godshaw ..... A45C 7/005  
224/576

\* cited by examiner

*Primary Examiner* — Kelley A Donnelly

(74) *Attorney, Agent, or Firm* — Rankin, Hill & Clark  
LLP

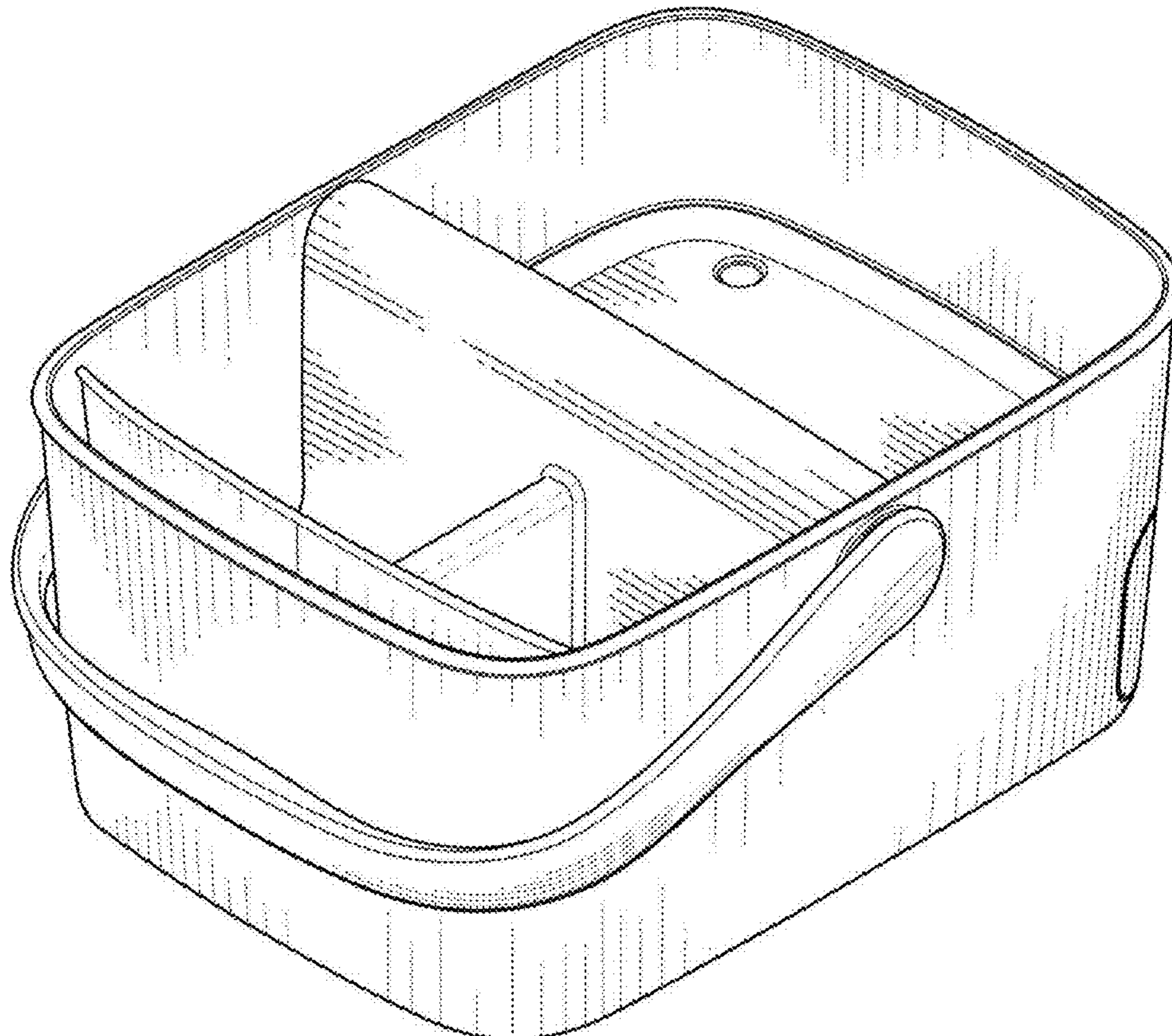
(57) **CLAIM**

The ornamental design for a diaper container, as shown, and described.

**DESCRIPTION**

FIG. 1 is a perspective view of a diaper container;  
FIG. 2 is a front view thereof;  
FIG. 3 is a rear view thereof;  
FIG. 4 is a left elevation view thereof, the right elevation view being a mirror image thereof;  
FIG. 5 is a top plan view thereof; and,  
FIG. 6 is a bottom plan view thereof.

**1 Claim, 6 Drawing Sheets**



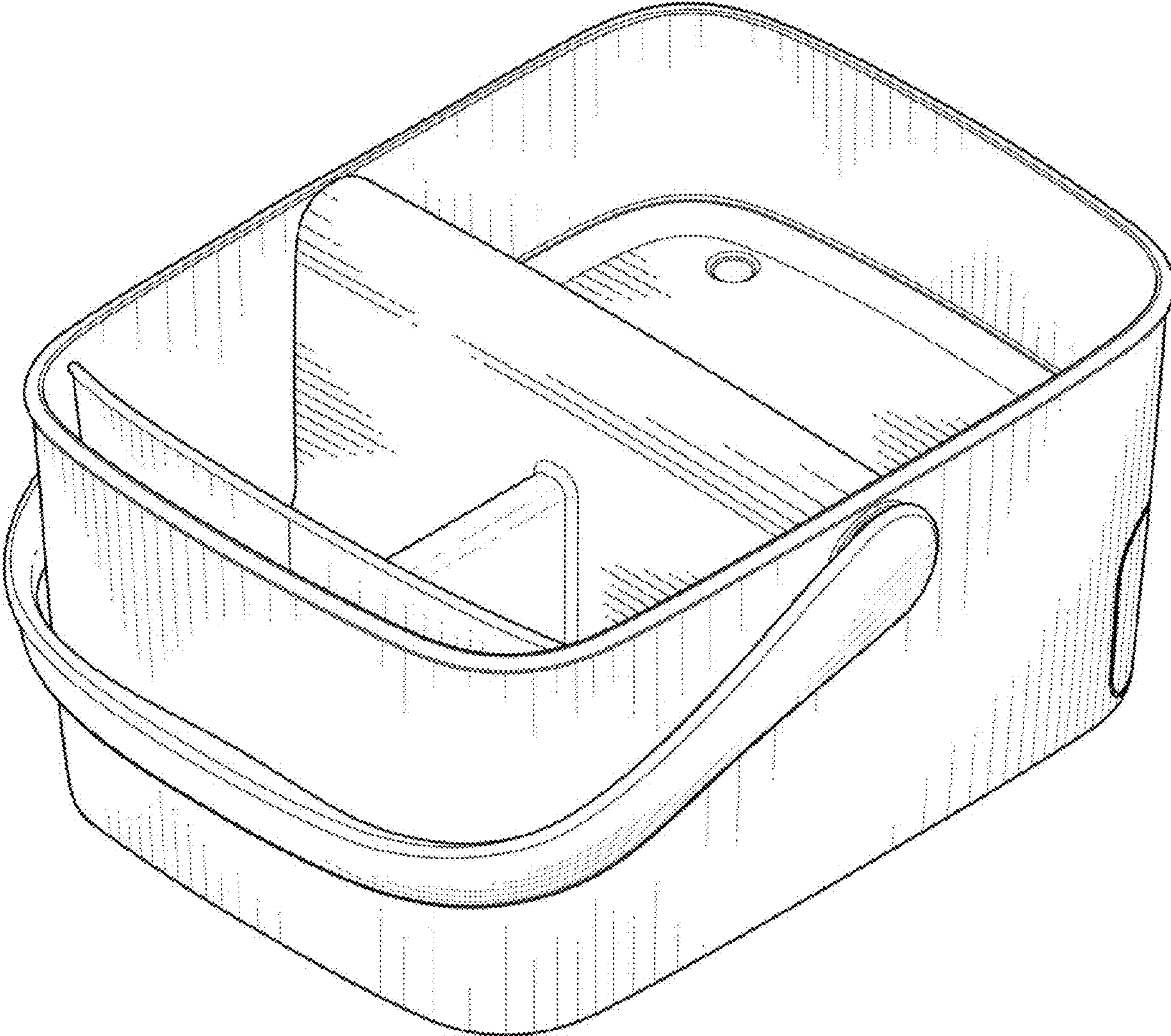


FIG. 1

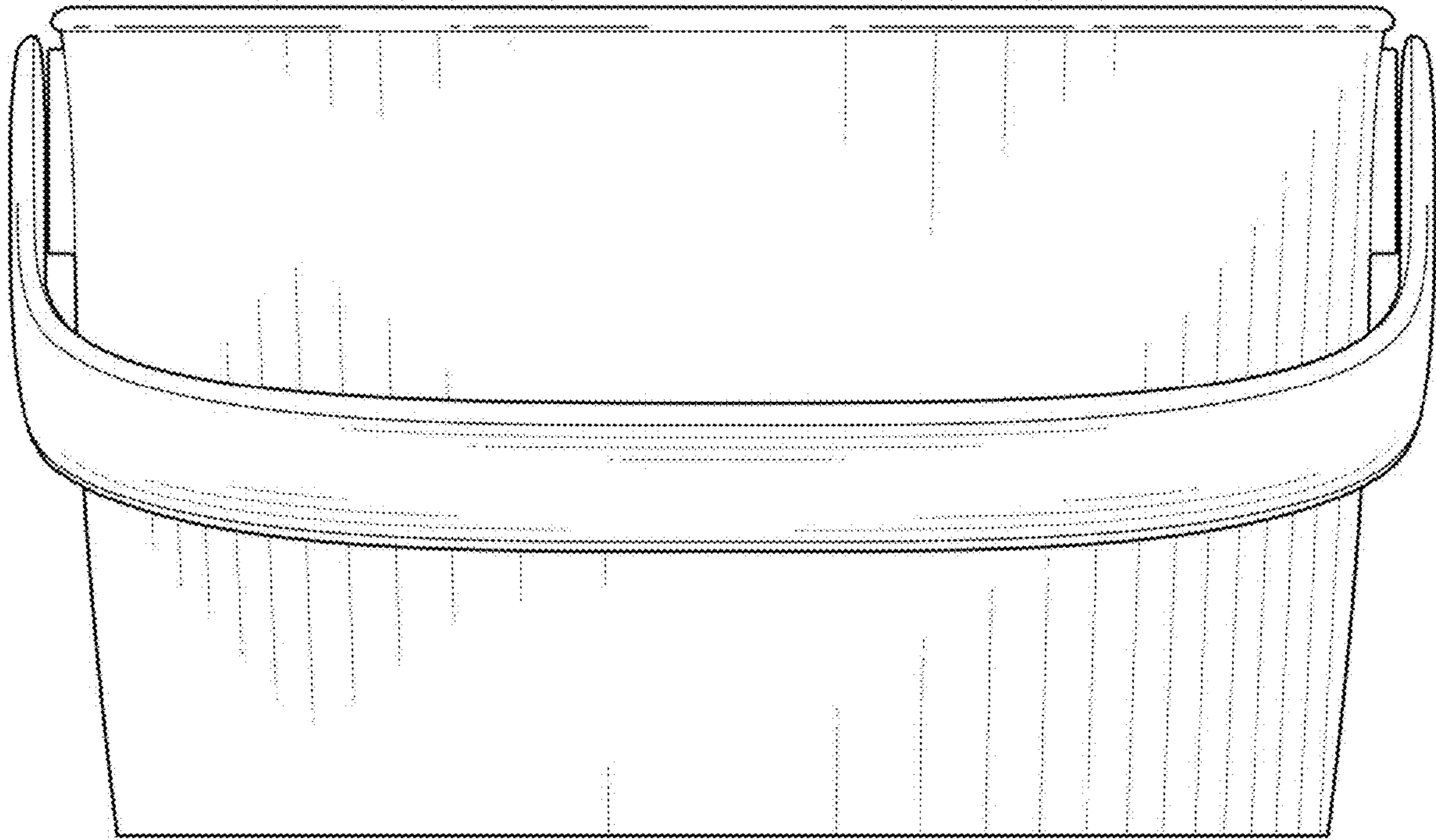


FIG. 2

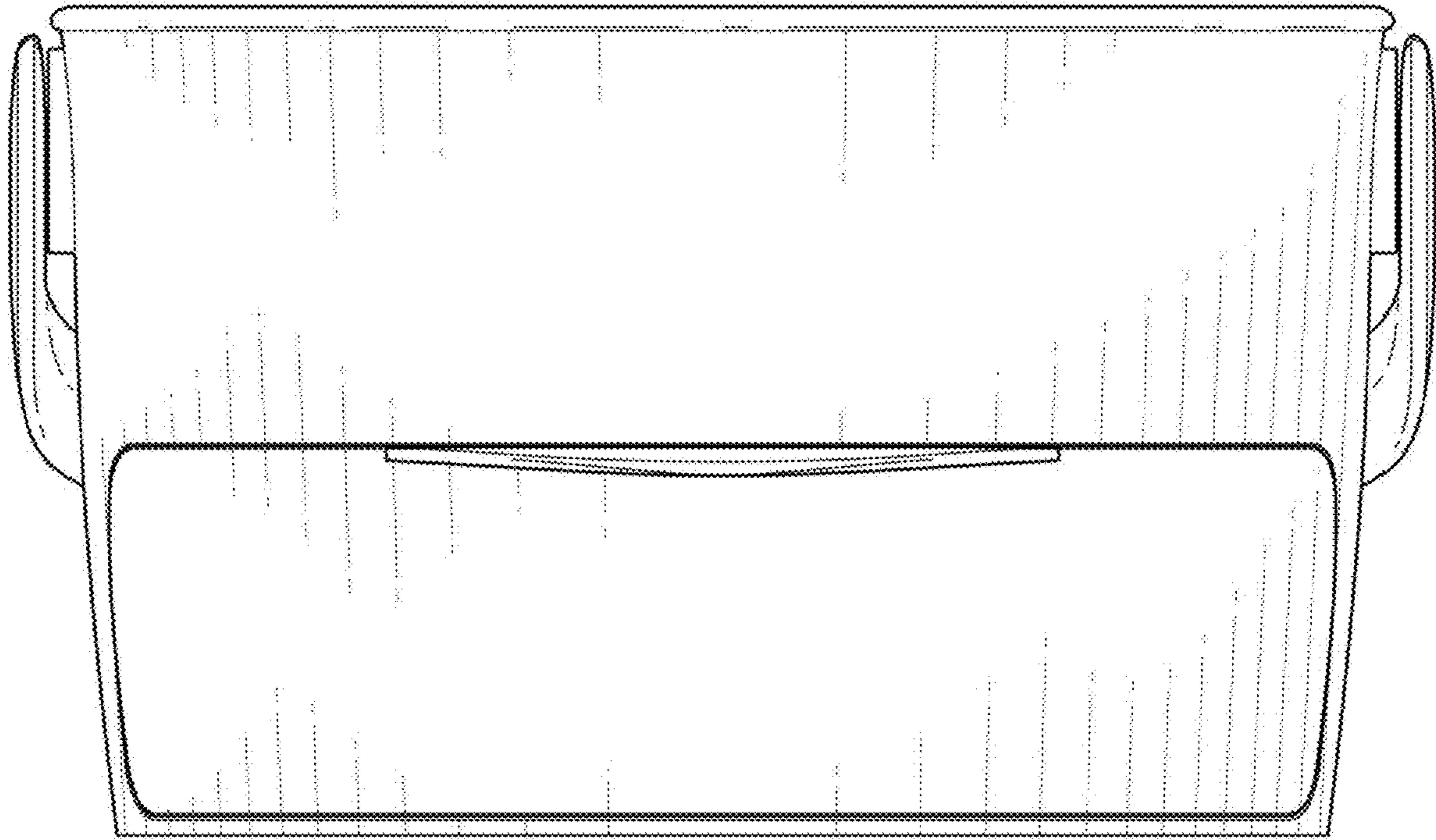


FIG. 3

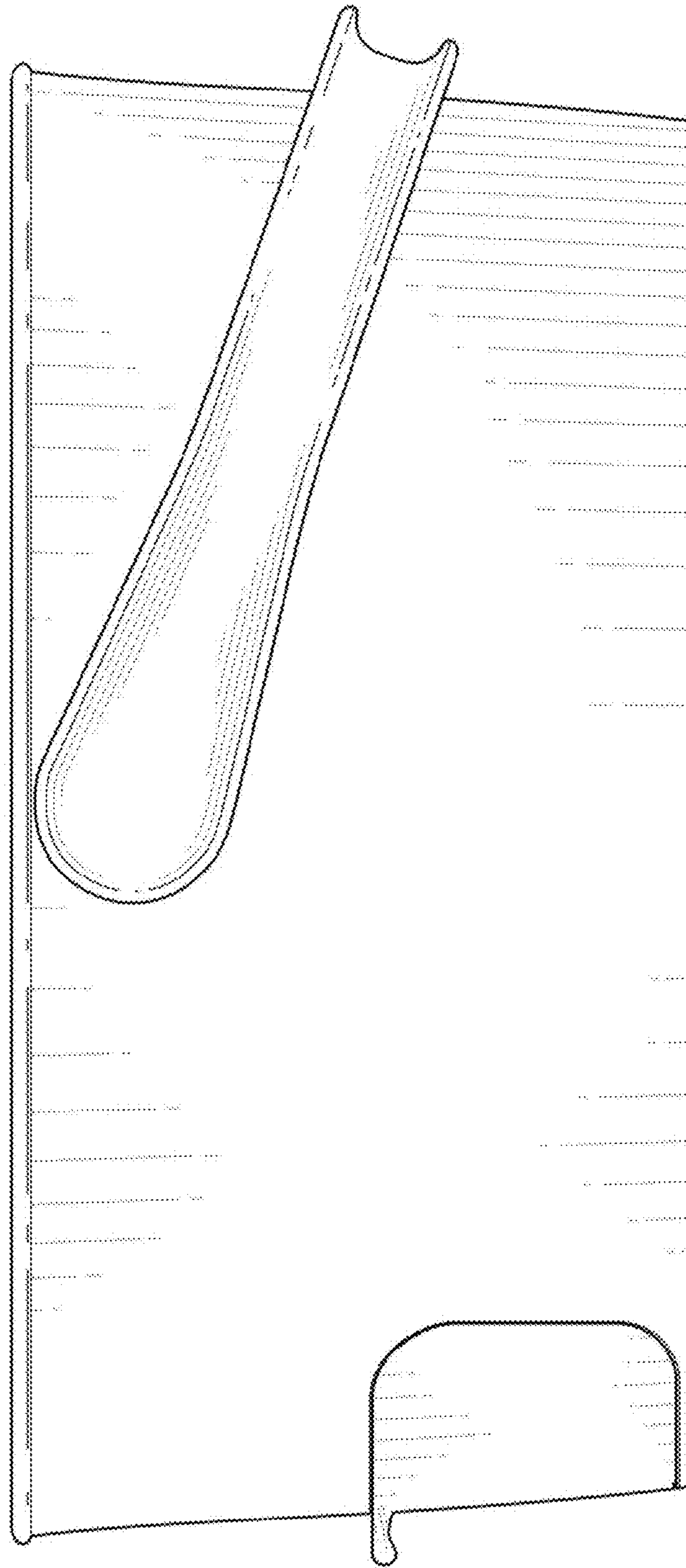


FIG. 4

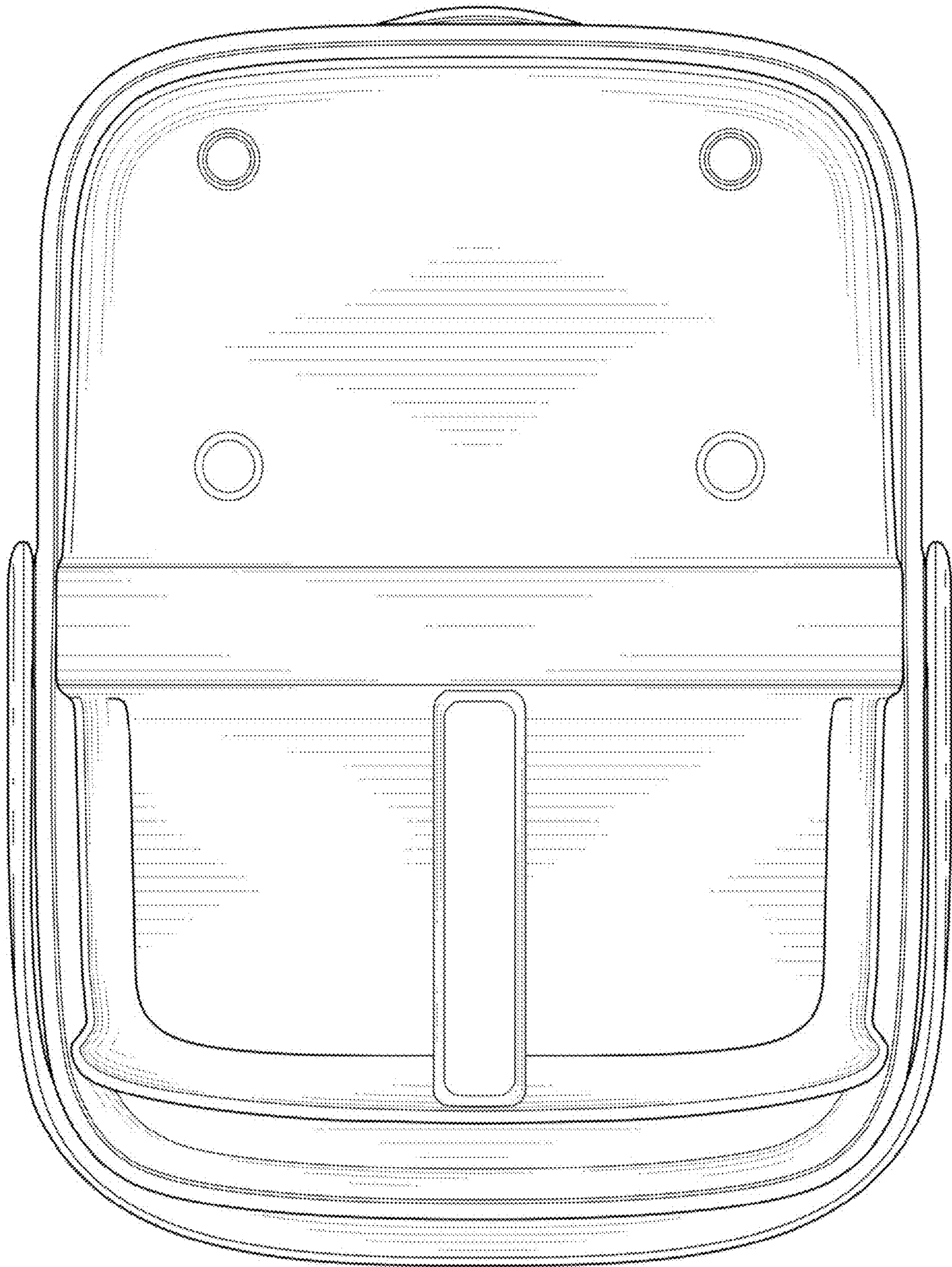


FIG. 5

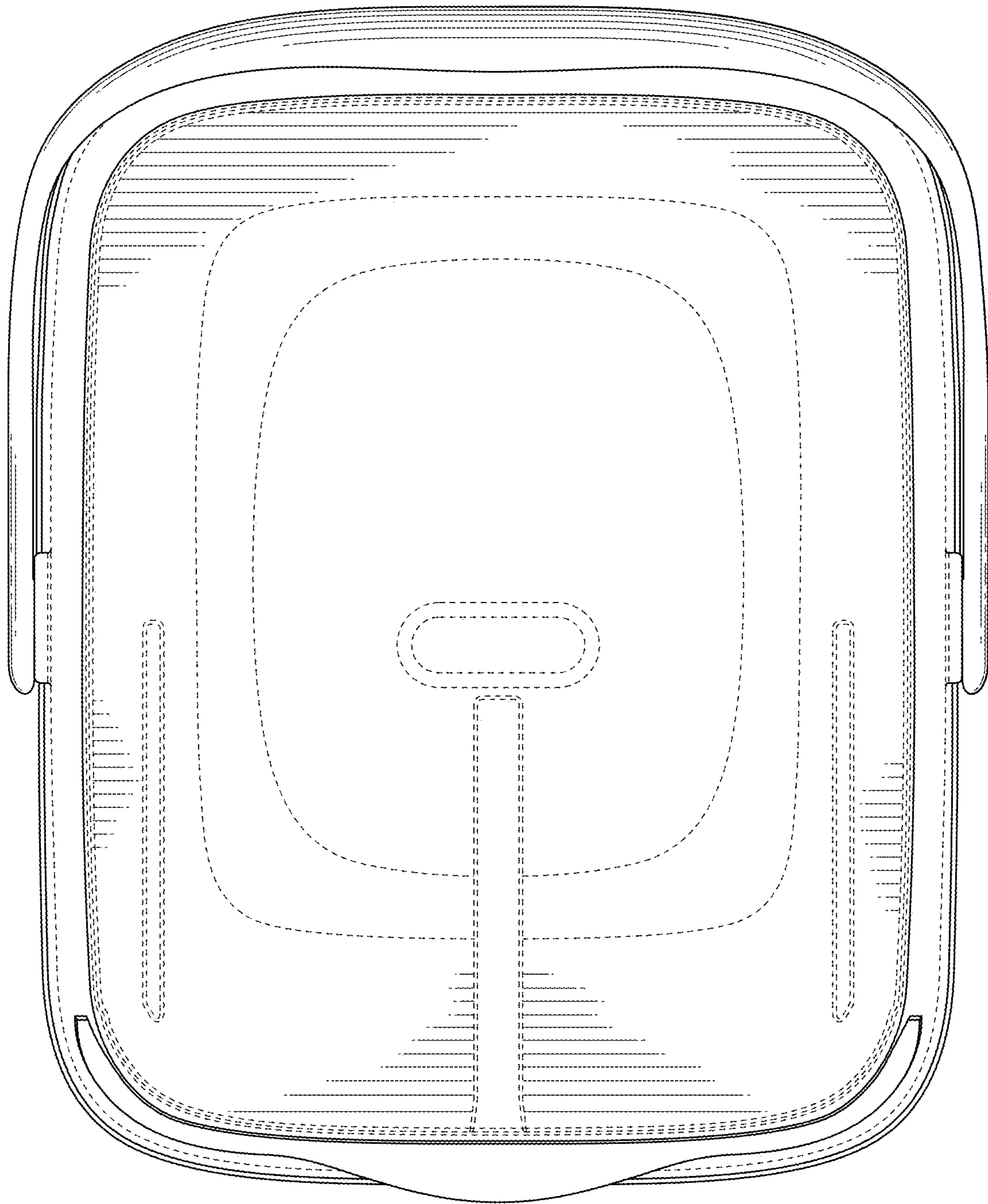


FIG. 6