



US00D909753S

(12) **United States Design Patent** (10) **Patent No.:** **US D909,753 S**
Lalvani (45) **Date of Patent:** **** Feb. 9, 2021**

(54) **EARPHONES STORAGE CASE**
(71) Applicant: **Binatone Electronics International Ltd.**, Hong Kong (CN)
(72) Inventor: **Dino Lalvani**, Hong Kong (CN)
(73) Assignee: **Binatone Electronics International Ltd.**, Hong Kong (CN)

(**) Term: **15 Years**
(21) Appl. No.: **29/706,121**
(22) Filed: **Sep. 18, 2019**

(30) **Foreign Application Priority Data**
Sep. 6, 2019 (EM) 006840617
(51) **LOC (13) Cl.** **03-01**
(52) **U.S. Cl.**
USPC **D3/295; D3/294**
(58) **Field of Classification Search**
USPC D3/201, 203.1, 203.3, 203.6, 205, 218,
D3/272-273, 294-295, 301, 319
(Continued)

(56) **References Cited**
U.S. PATENT DOCUMENTS
D224,368 S * 7/1972 Bettonica D3/205
D333,560 S * 3/1993 Miyashita D3/218
(Continued)

FOREIGN PATENT DOCUMENTS
CN 204795530 U 11/2015
CN 105263079 A 1/2016
(Continued)

OTHER PUBLICATIONS
Search Report for corresponding GB1905110.1, dated Jun. 12, 2019, 4 pages.

(Continued)

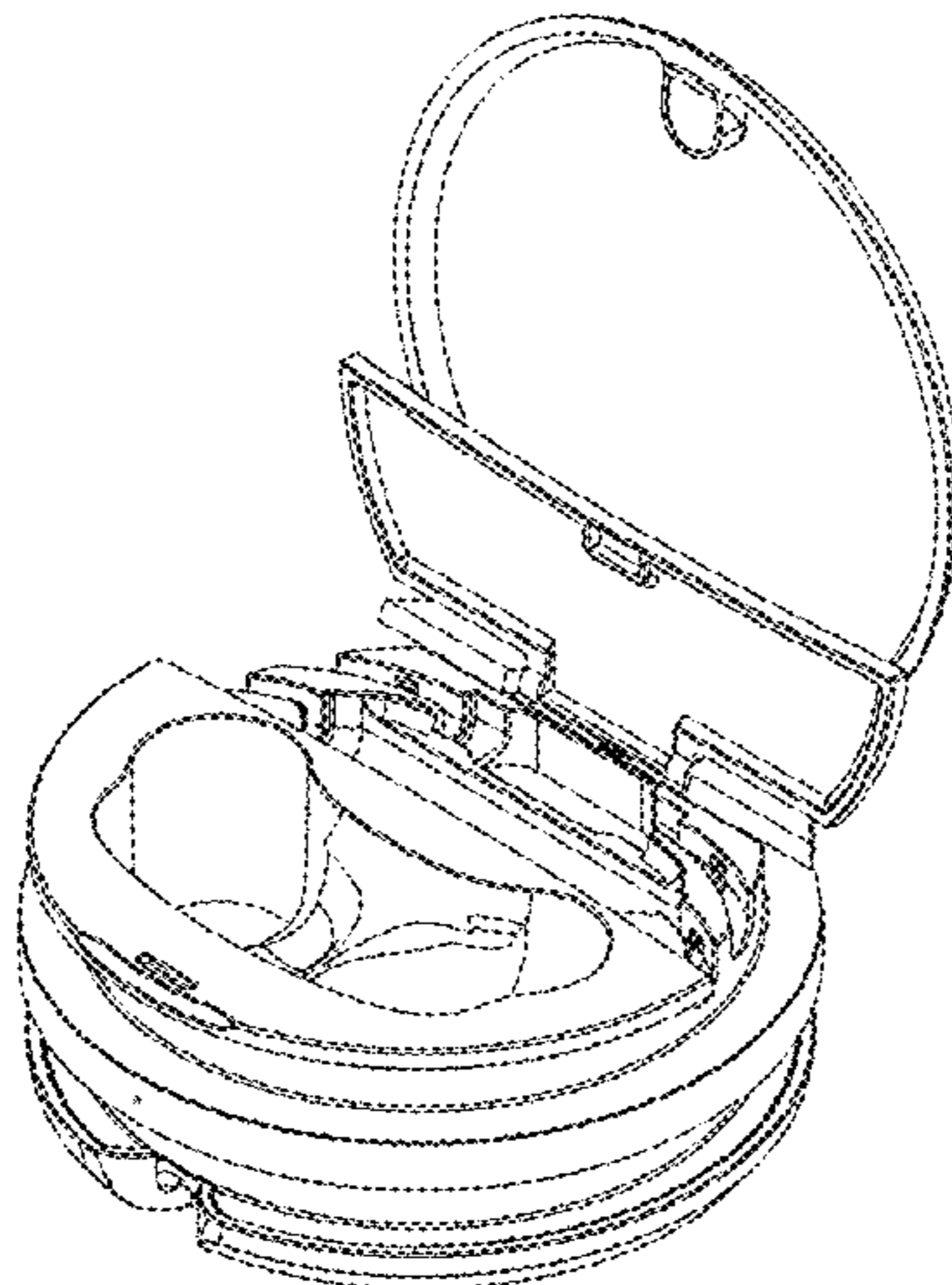
Primary Examiner — Holly E Thurman
(74) *Attorney, Agent, or Firm* — Patterson Intellectual Property Law, PC; Emily A. Shouse; Alex H. Huffstutter

(57) **CLAIM**
What is claimed is the ornamental design for an earphones storage case, as shown and described.

DESCRIPTION

FIG. 1 is a right side, front top perspective view of an earphones storage case of Applicant's new design with lids in an open configuration.
FIG. 2 is a top plan view of the earphones storage case of FIG. 1.
FIG. 3 is a front elevation view of the earphones storage case of FIG. 1.
FIG. 4 is a rear elevation view of the earphones storage case of FIG. 1.
FIG. 5 is a left side elevation view of the earphones storage case of FIG. 1.
FIG. 6 is a right side elevation view of the earphones storage case of FIG. 1.
FIG. 7 is a bottom plan view of the earphones storage case of FIG. 1.
FIG. 8 is a right side, front bottom perspective view of an earphones storage case of FIG. 1.
FIG. 9 is a right side, front top perspective view of an earphones storage case of Applicant's new design with lids in a closed configuration.
FIG. 10 is a top plan view of the earphones storage case of FIG. 9.
FIG. 11 is a front elevation view of the earphones storage case of FIG. 9.
FIG. 12 is a rear elevation view of the earphones storage case of FIG. 9.
FIG. 13 is a left side elevation view of the earphones storage case of FIG. 9.
FIG. 14 is a right side elevation view of the earphones storage case of FIG. 9; and,
FIG. 15 is a bottom plan view of the earphones storage case of FIG. 9.

1 Claim, 13 Drawing Sheets



(58) **Field of Classification Search**

CPC ... A45C 11/16; A47F 7/03; A47F 7/02; A47G
23/06; A61B 2019/5208

See application file for complete search history.

(56) **References Cited**

U.S. PATENT DOCUMENTS

D333,917	S	*	3/1993	Daido	D3/218
D397,865	S	*	9/1998	Lin	D3/218
D691,372	S	*	10/2013	Chun	D3/294
D846,264	S	*	4/2019	Wu	D3/201
10,397,689	B2		8/2019	Tang		
D878,048	S	*	3/2020	Wang	D3/294
D887,351	S	*	6/2020	Bonahoom	D13/108
D890,725	S	*	7/2020	Liu	D14/223
D897,664	S	*	10/2020	Li	D3/201
2017/0295421	A1		10/2017	Hung		

FOREIGN PATENT DOCUMENTS

CN	205249440	U	5/2016
CN	206136196	U	4/2017
CN	107786917	A	3/2018
CN	110418239	A	11/2019
CN	209861123	U	12/2019
EP	3393137	A1	10/2018

OTHER PUBLICATIONS

Search Report for corresponding GB1912896.6, dated Feb. 19,
2020, 5 pages.

* cited by examiner

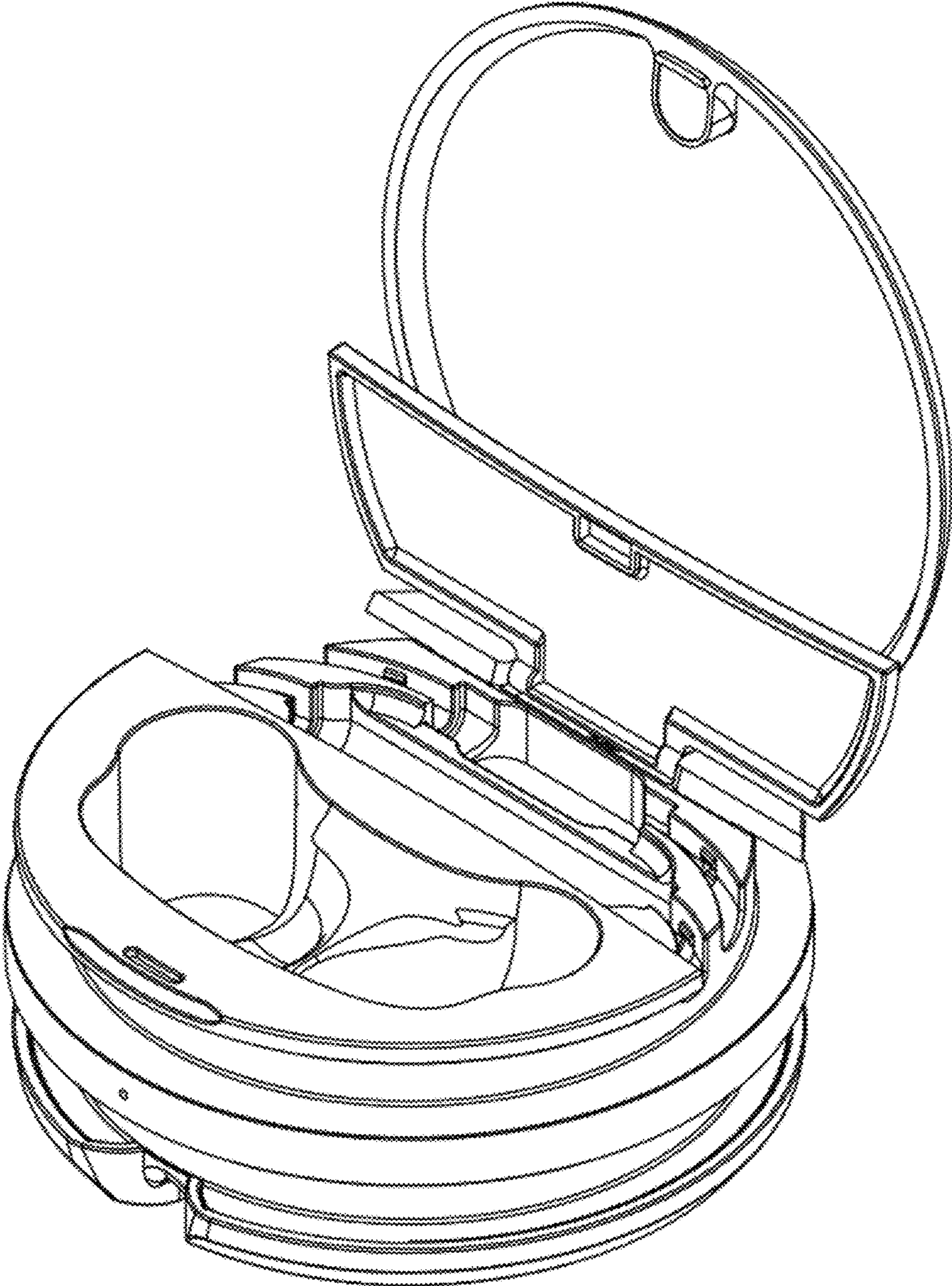


Fig. 1

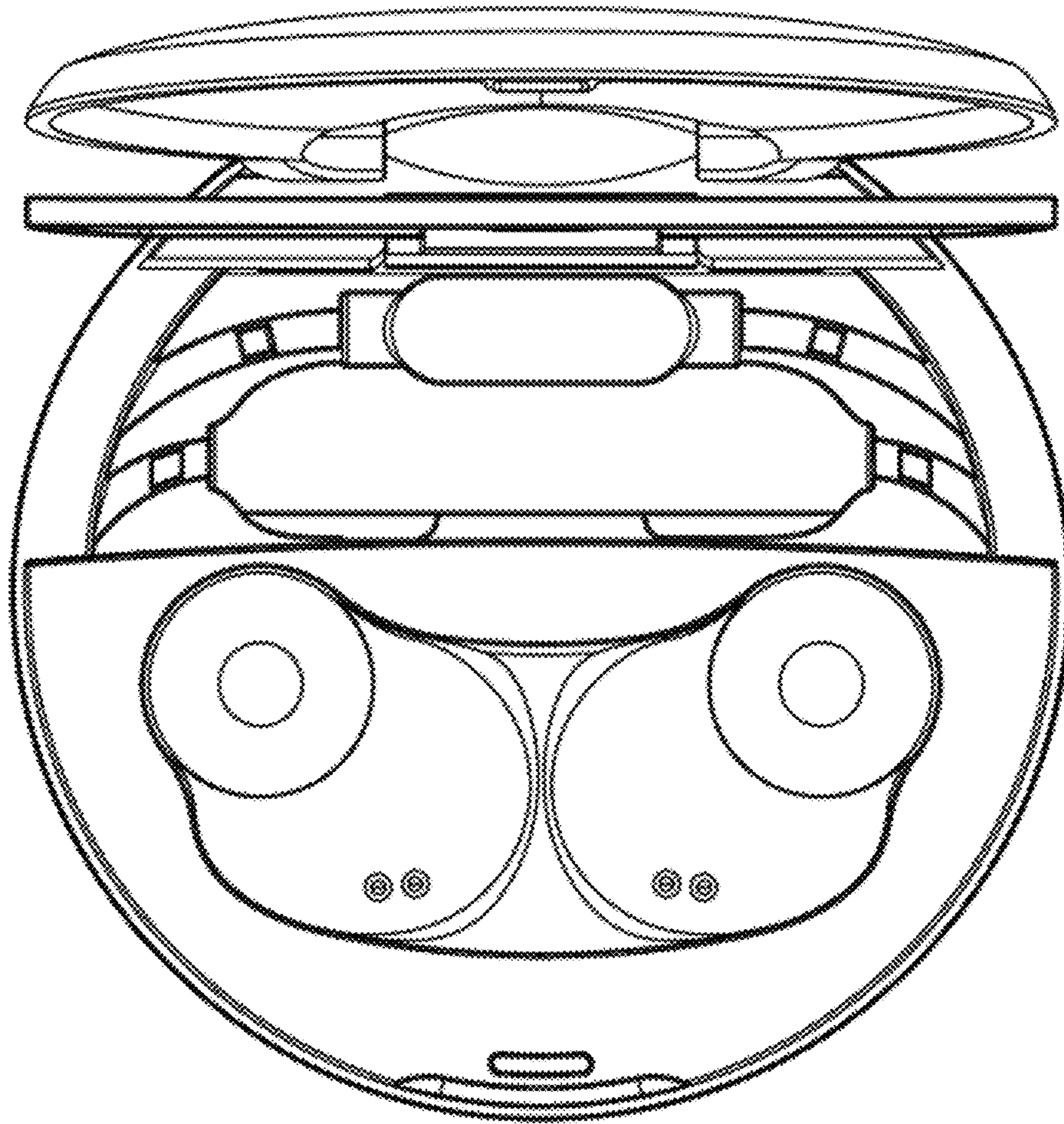


Fig. 2

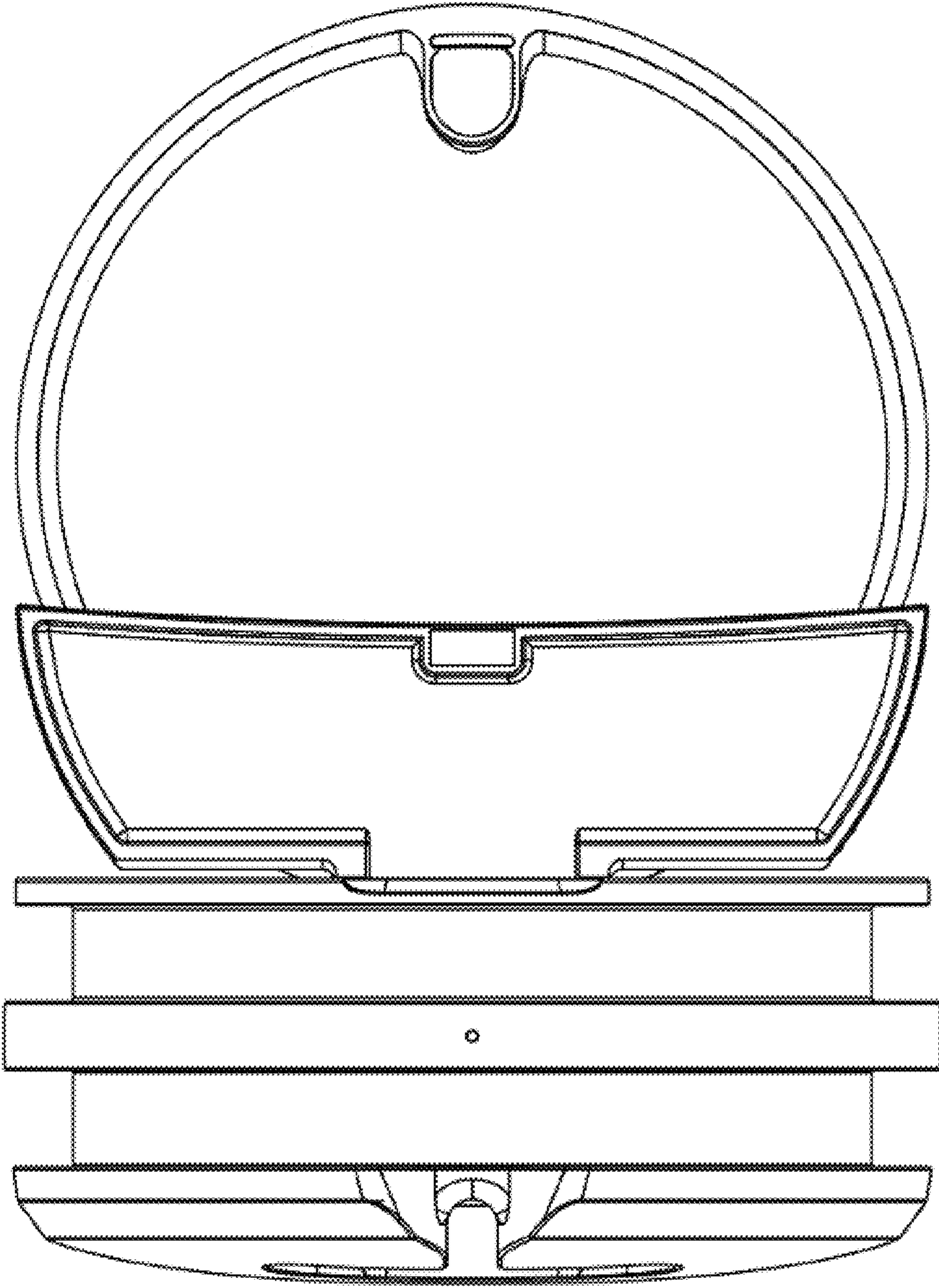


Fig. 3

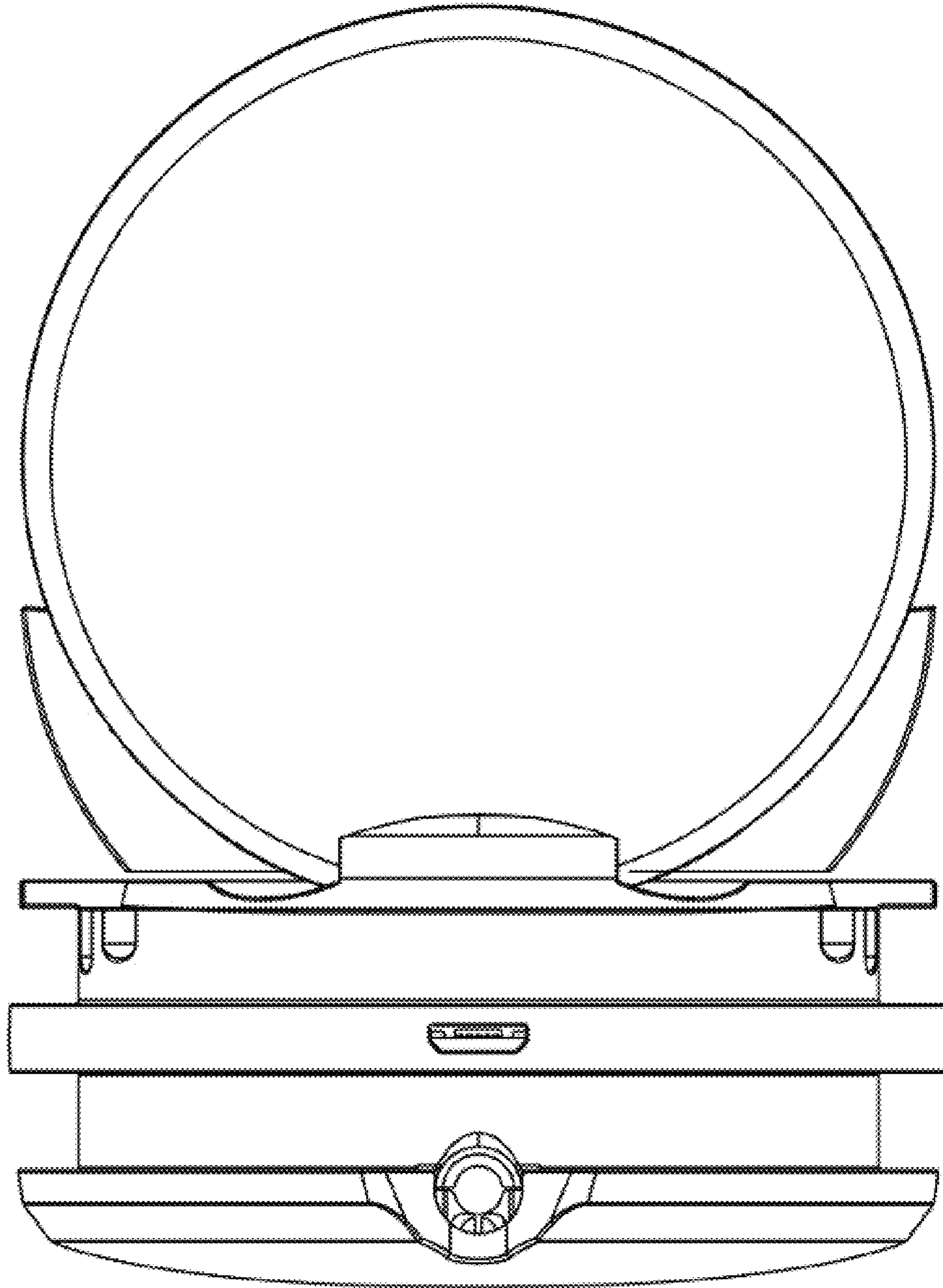


Fig. 4

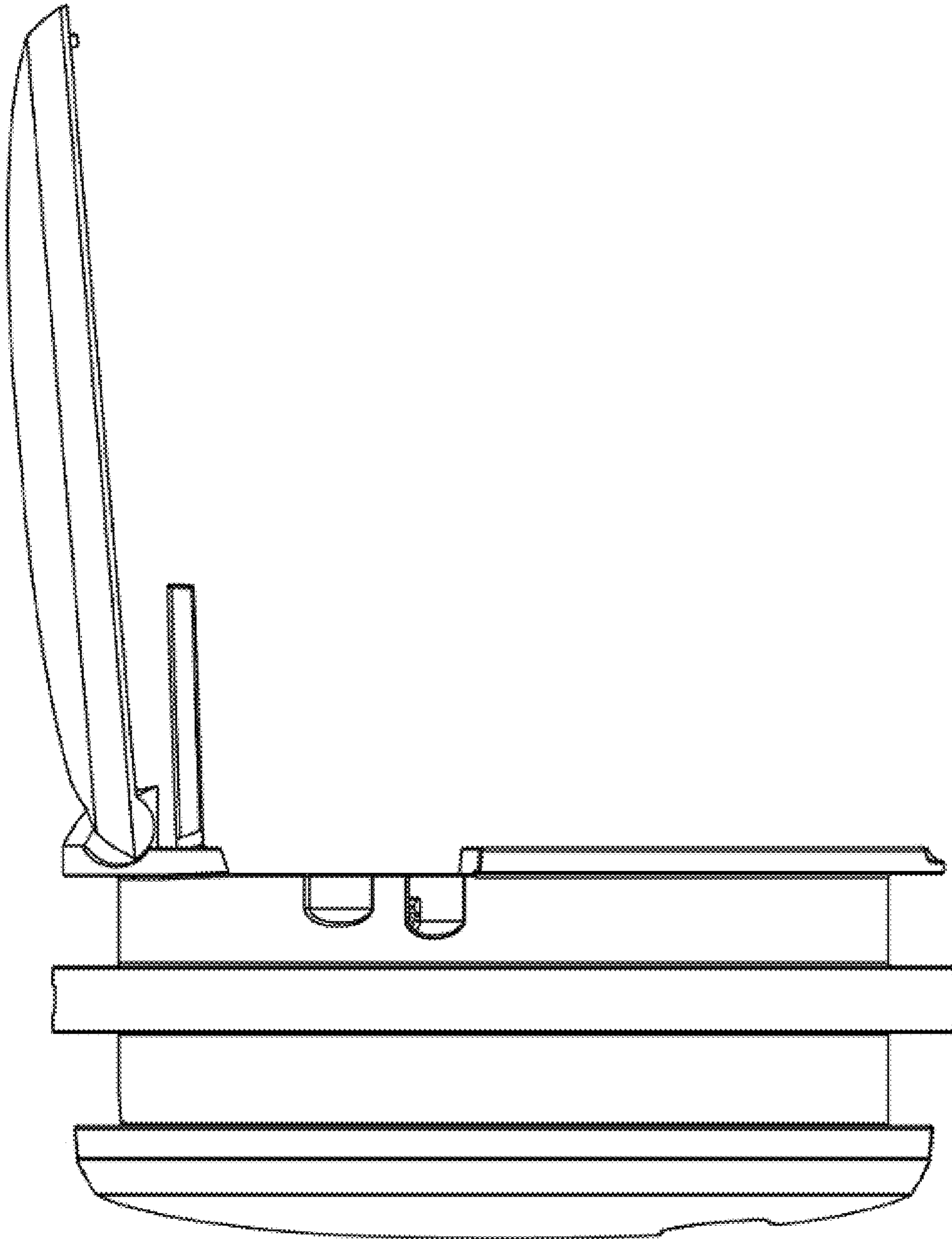


Fig. 5

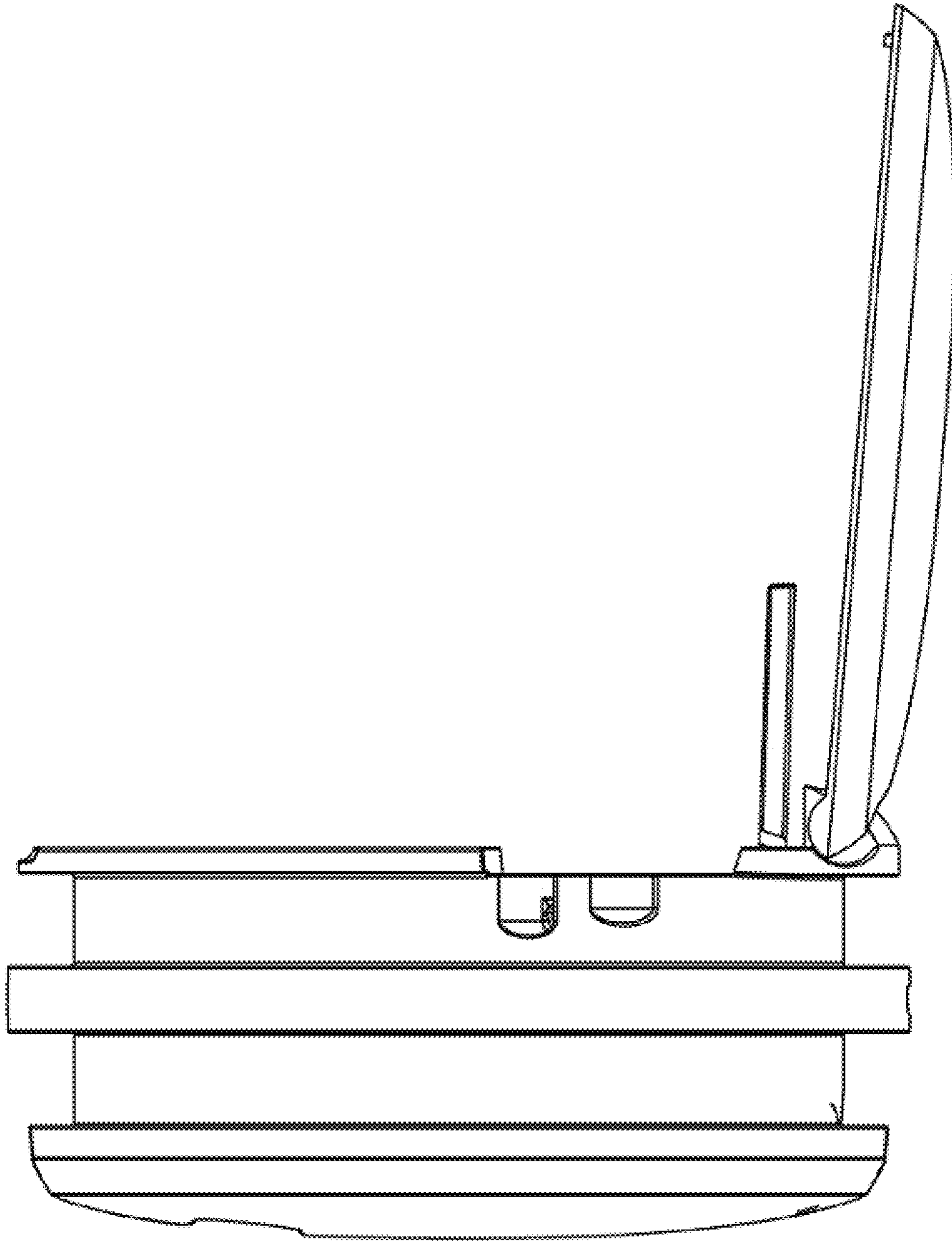


Fig. 6

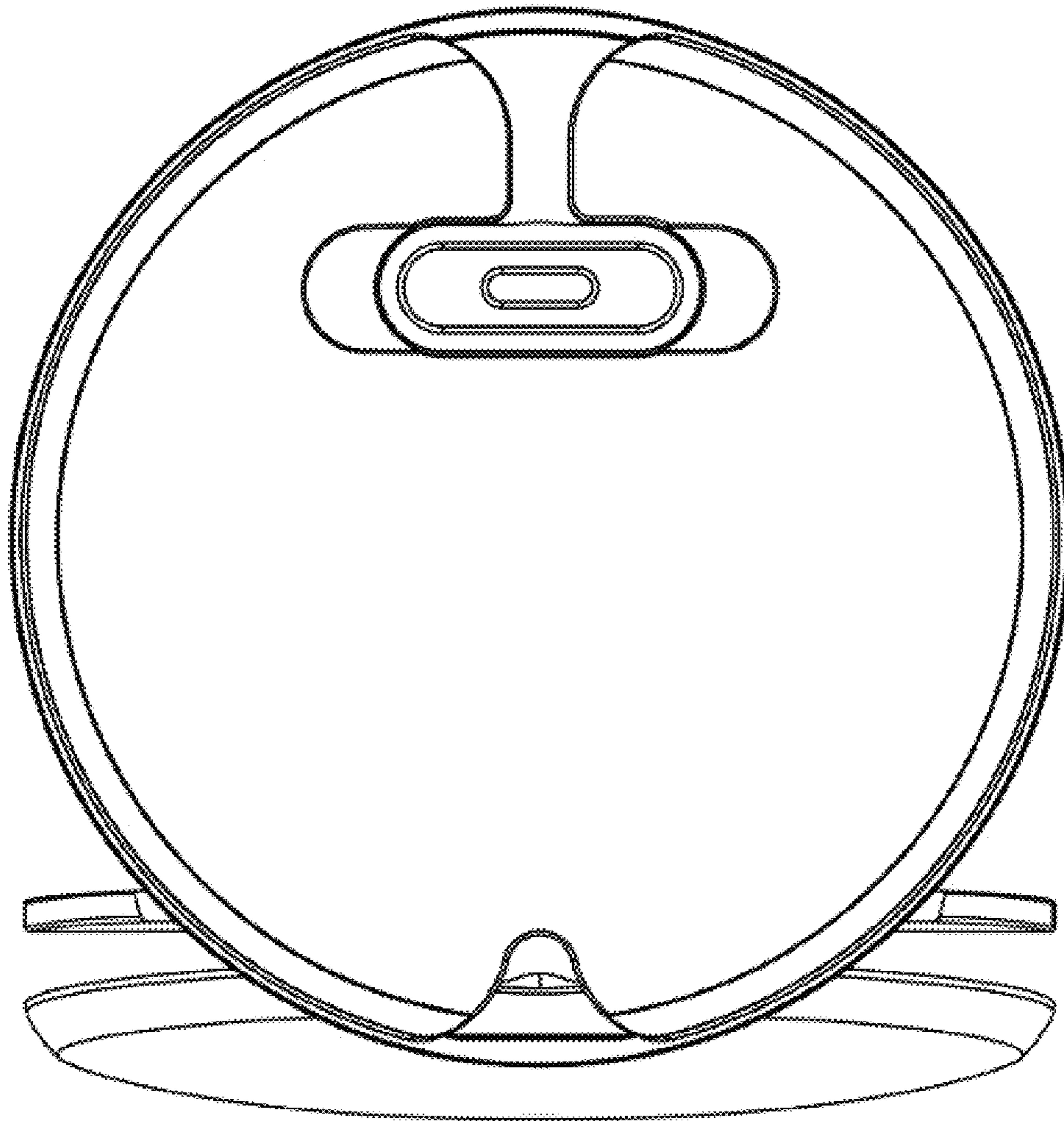


Fig. 7

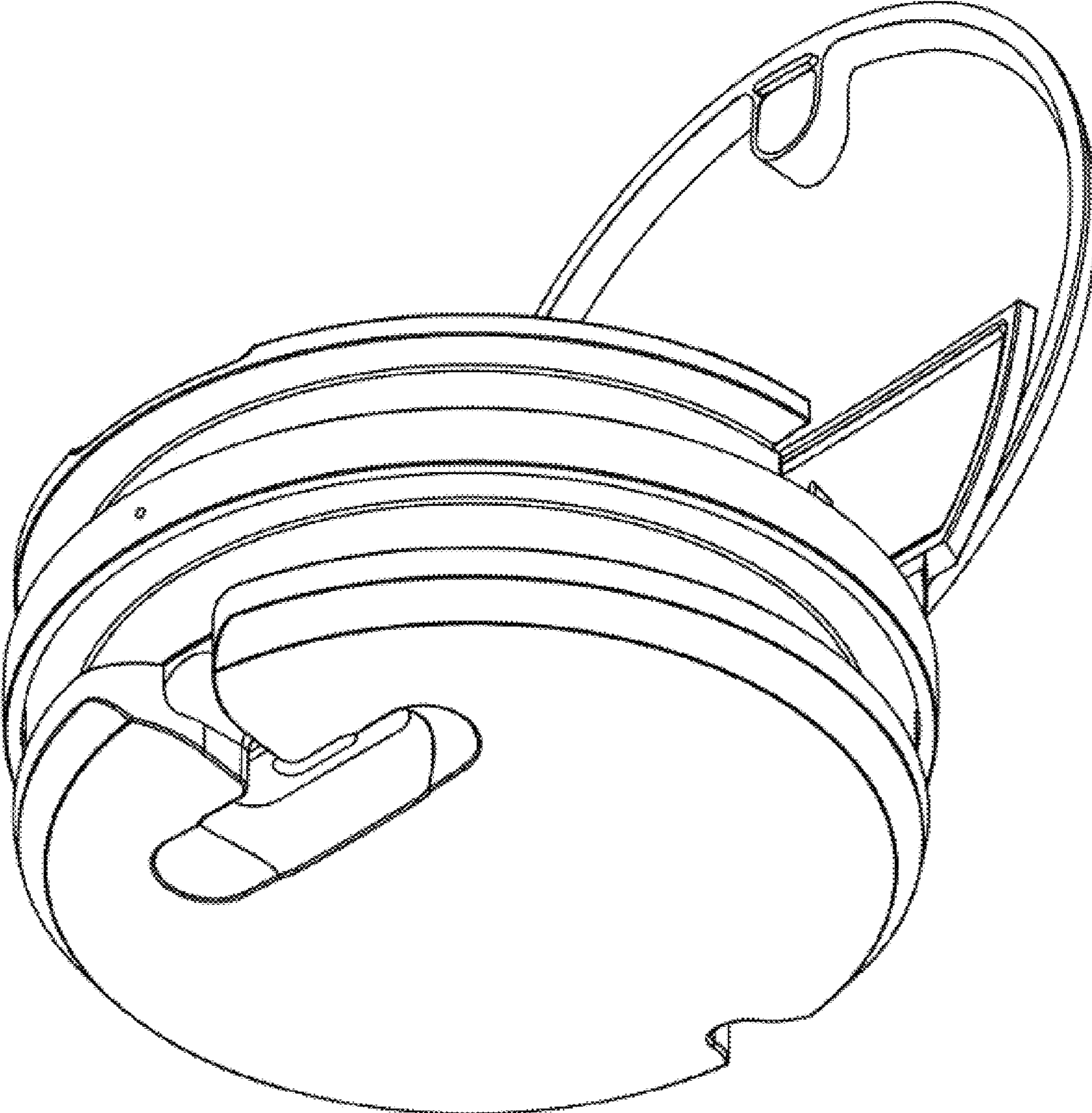


Fig. 8

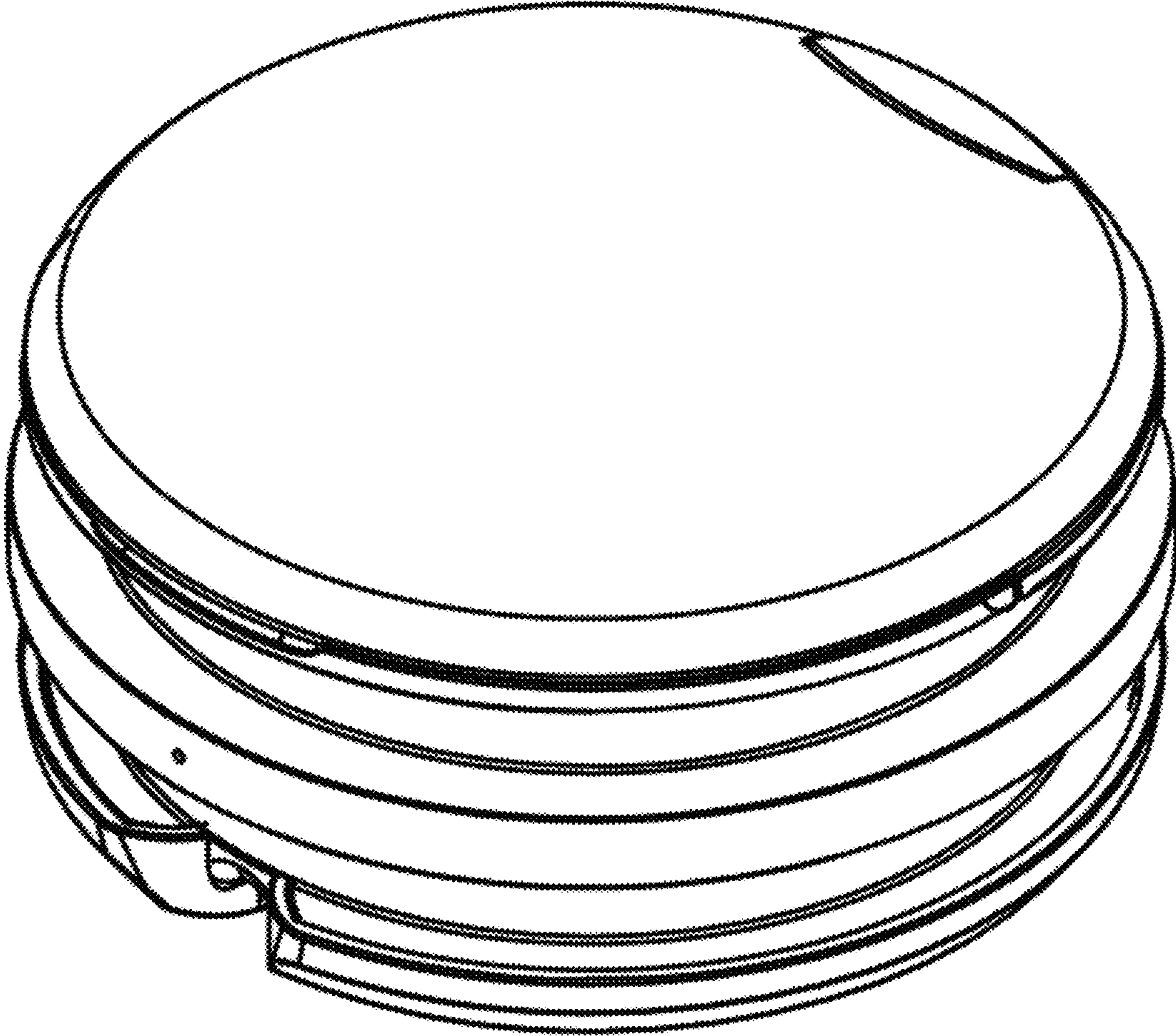


Fig. 9

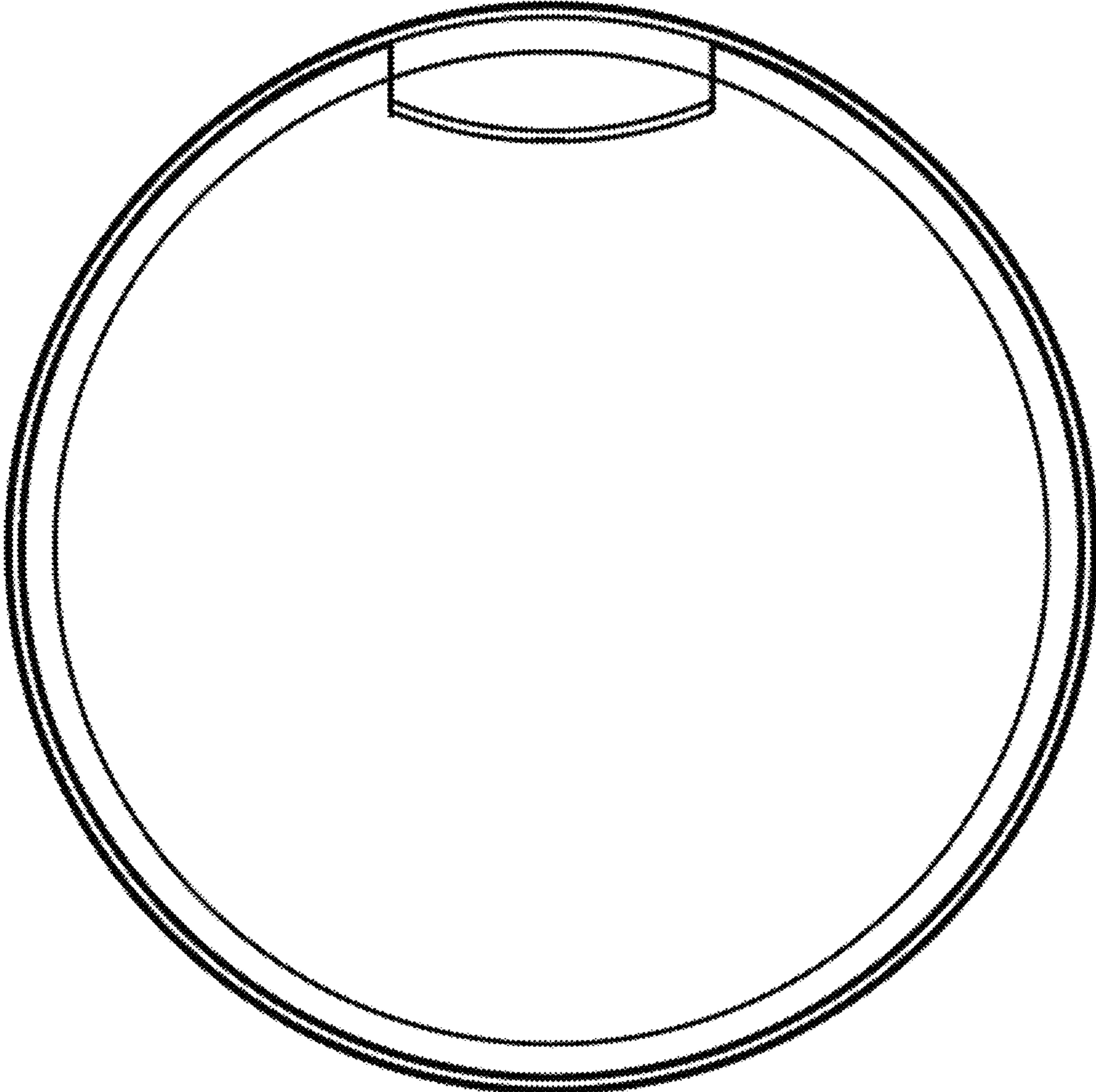


Fig. 10

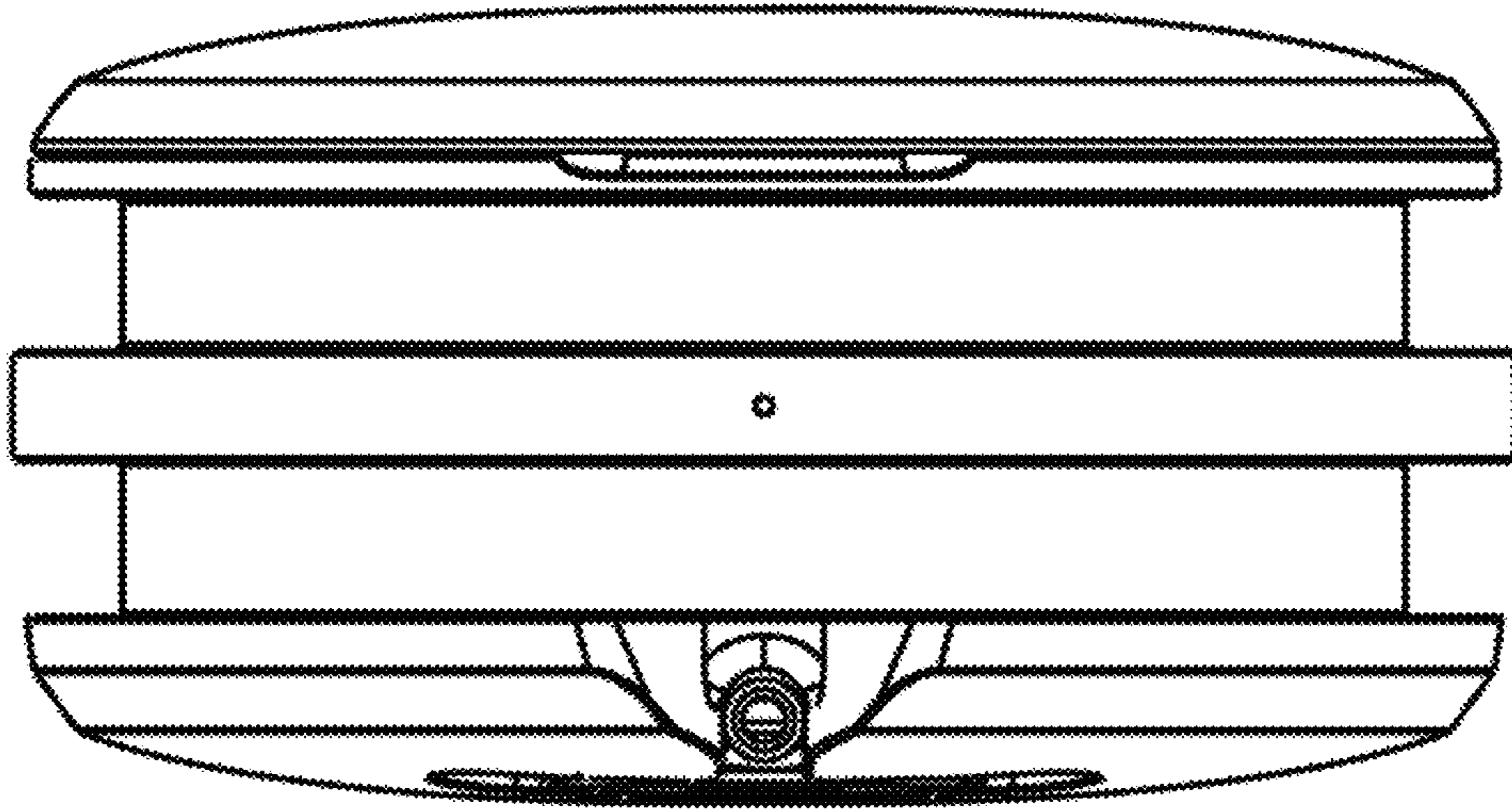


Fig. 11

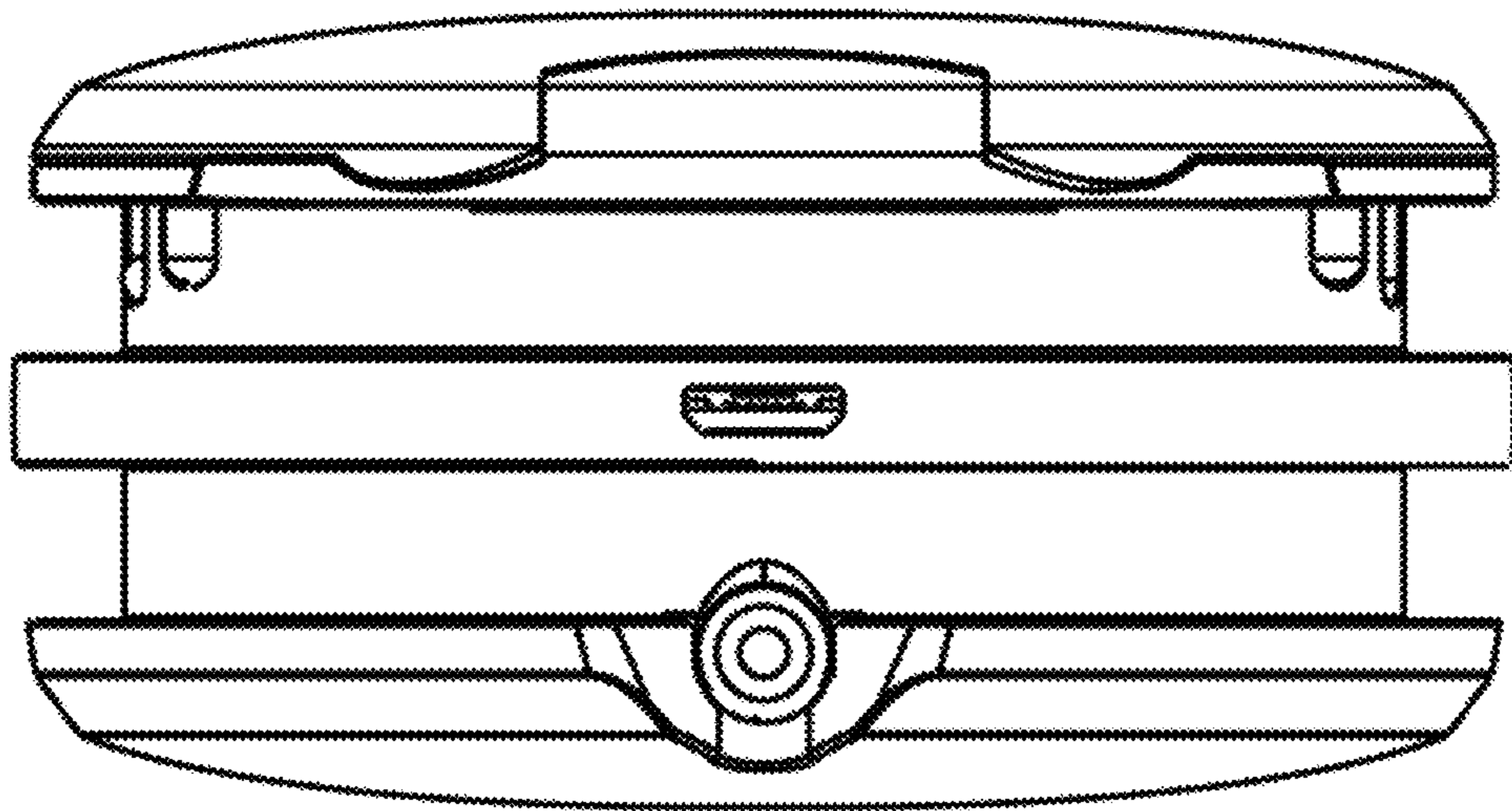


Fig. 12

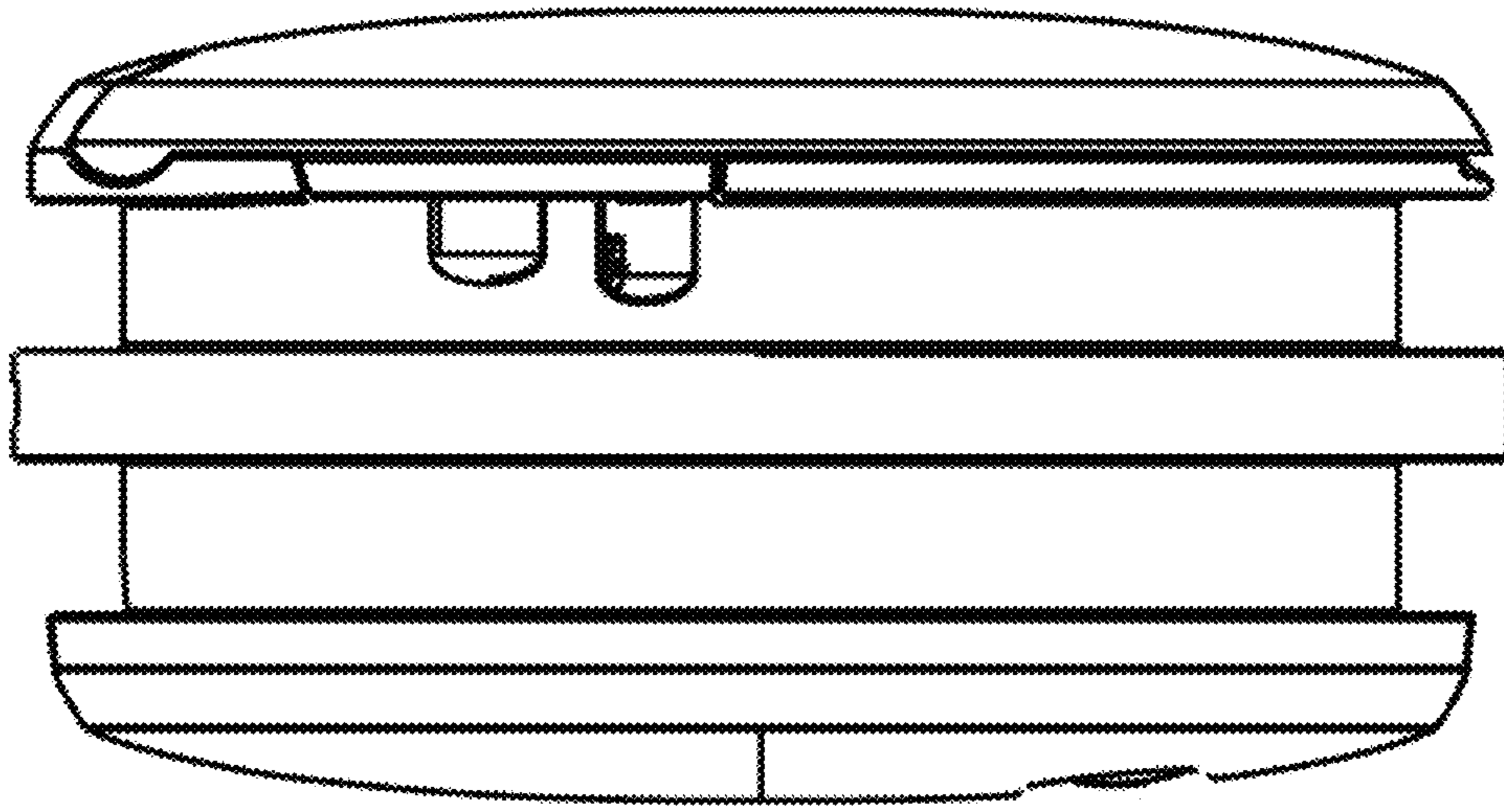


Fig. 13

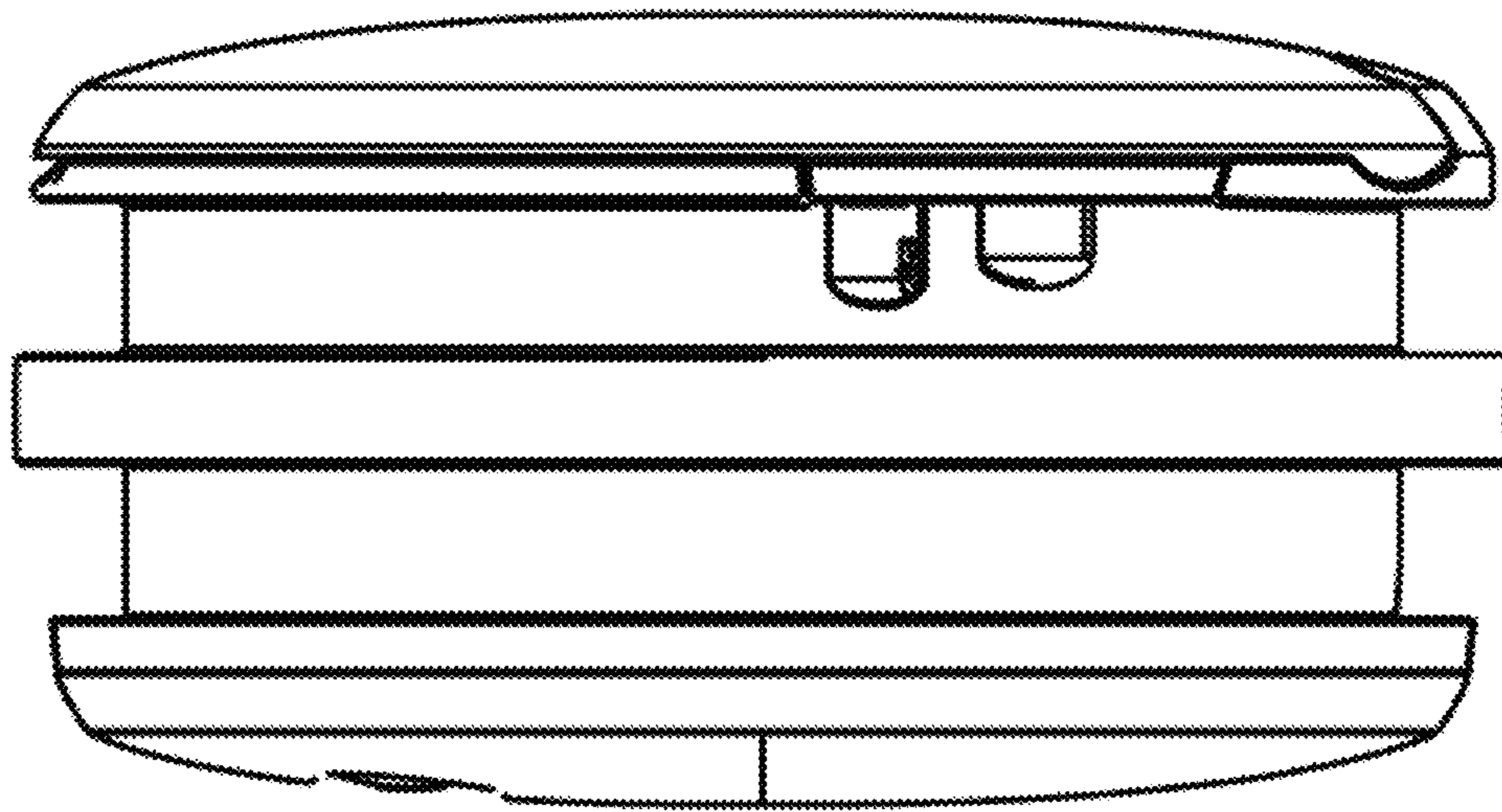


Fig. 14

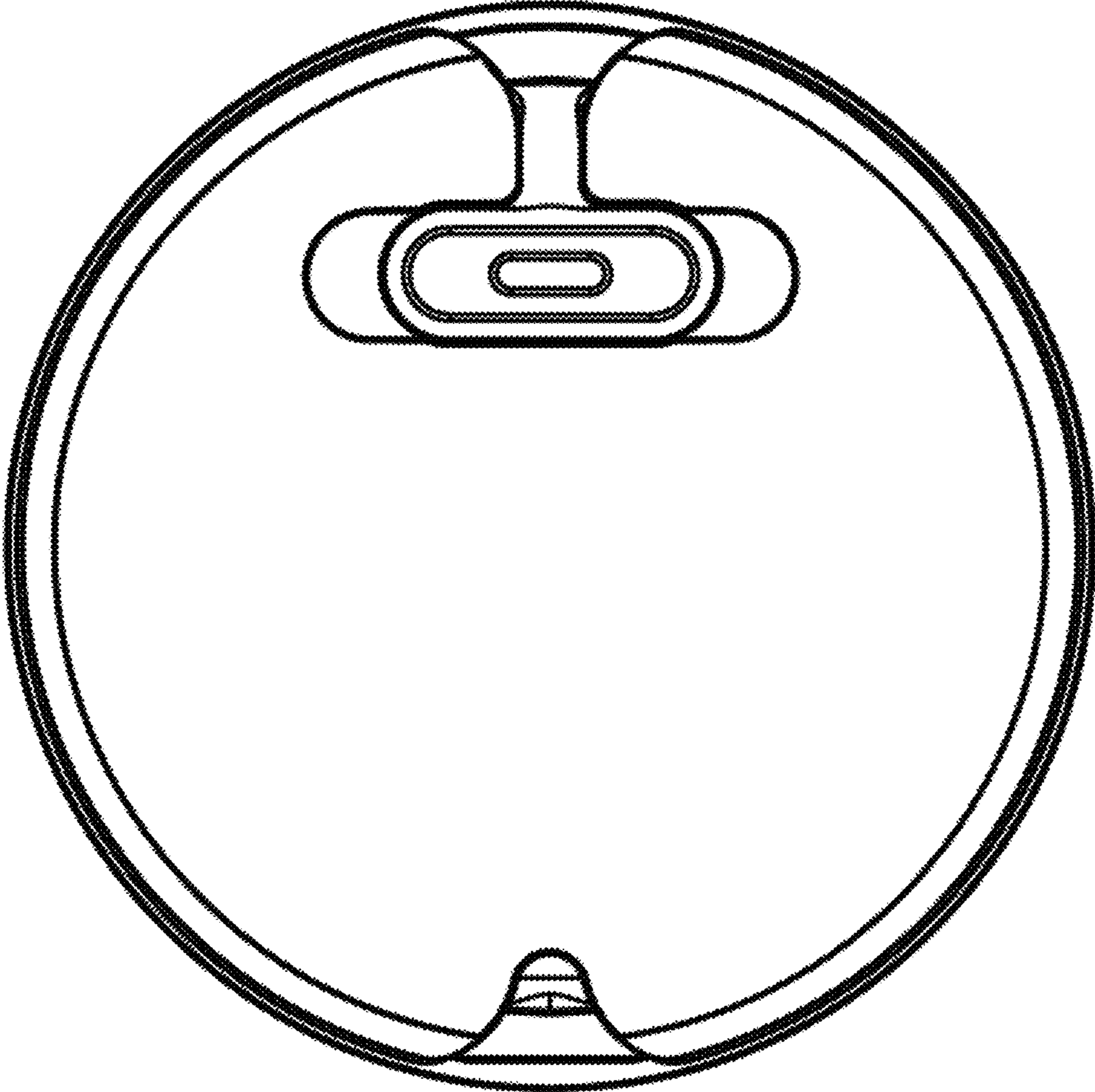


Fig. 15