



US00D909752S

(12) **United States Design Patent** (10) **Patent No.:** **US D909,752 S**
Ma (45) **Date of Patent:** **** Feb. 9, 2021**

(54) **LUGGAGE**

D847,506 S * 5/2019 Ji D3/279
D873,000 S * 1/2020 Terlikowski D3/274
10,660,416 B2 * 5/2020 Paul A45C 13/262

(71) Applicant: **Beijing Marshmallow Technology Co., Ltd.**, Beijing (CN)

(72) Inventor: **Ning Ma**, Beijing (CN)

(73) Assignee: **BEIJING MARSHMALLOW TECHNOLOGY CO., LTD.**, Beijing (CN)

(**) Term: **15 Years**

(21) Appl. No.: **29/689,007**

(22) Filed: **Apr. 26, 2019**

(30) **Foreign Application Priority Data**

Mar. 18, 2019 (CN) 2019 3 0111896

(51) **LOC (13) Cl.** **03-01**

(52) **U.S. Cl.**
USPC **D3/279**

(58) **Field of Classification Search**

USPC D3/272, 273, 279, 289, 321, 902
CPC A45C 5/03; A45C 2005/032; A45C 2005/037; A45C 2009/005; A45C 5/14
See application file for complete search history.

(56) **References Cited**

U.S. PATENT DOCUMENTS

3,316,993 A * 5/1967 Weitzner A45C 9/00
180/208
D648,129 S * 11/2011 Badanjo D3/279
D675,018 S * 1/2013 Roberts D3/279
D738,621 S * 9/2015 Sheikh D3/279
9,661,905 B2 * 5/2017 O'Donnell A45C 5/14
10,206,469 B2 * 2/2019 Pickavance A45C 13/262

OTHER PUBLICATIONS

Amazon, "Animor Kids Travel Partner Ride-On Suitcase and Carry-On Luggage, Classic Rolling Luggage (Penguin Blue)", First reviewed Oct. 9, 2019. (<https://www.amazon.com/ANIMOR-Partner-Suitcase-Luggage-Classic/dp/B07RPPHLZB?th=1>) (Year: 2019).*

Amazon, "Jetkids by Stokke Kids Suitcase and Portable Bed, Pink Lemonade", First reviewed Mar. 17, 2019. (<https://www.amazon.com/JetKids-Stokke-BedBox-Pink-Lemonade/dp/B07JLZPPQY>) (Year: 2019).*

* cited by examiner

Primary Examiner — April Rivas

(74) *Attorney, Agent, or Firm* — Bayramoglu Law Offices LLC

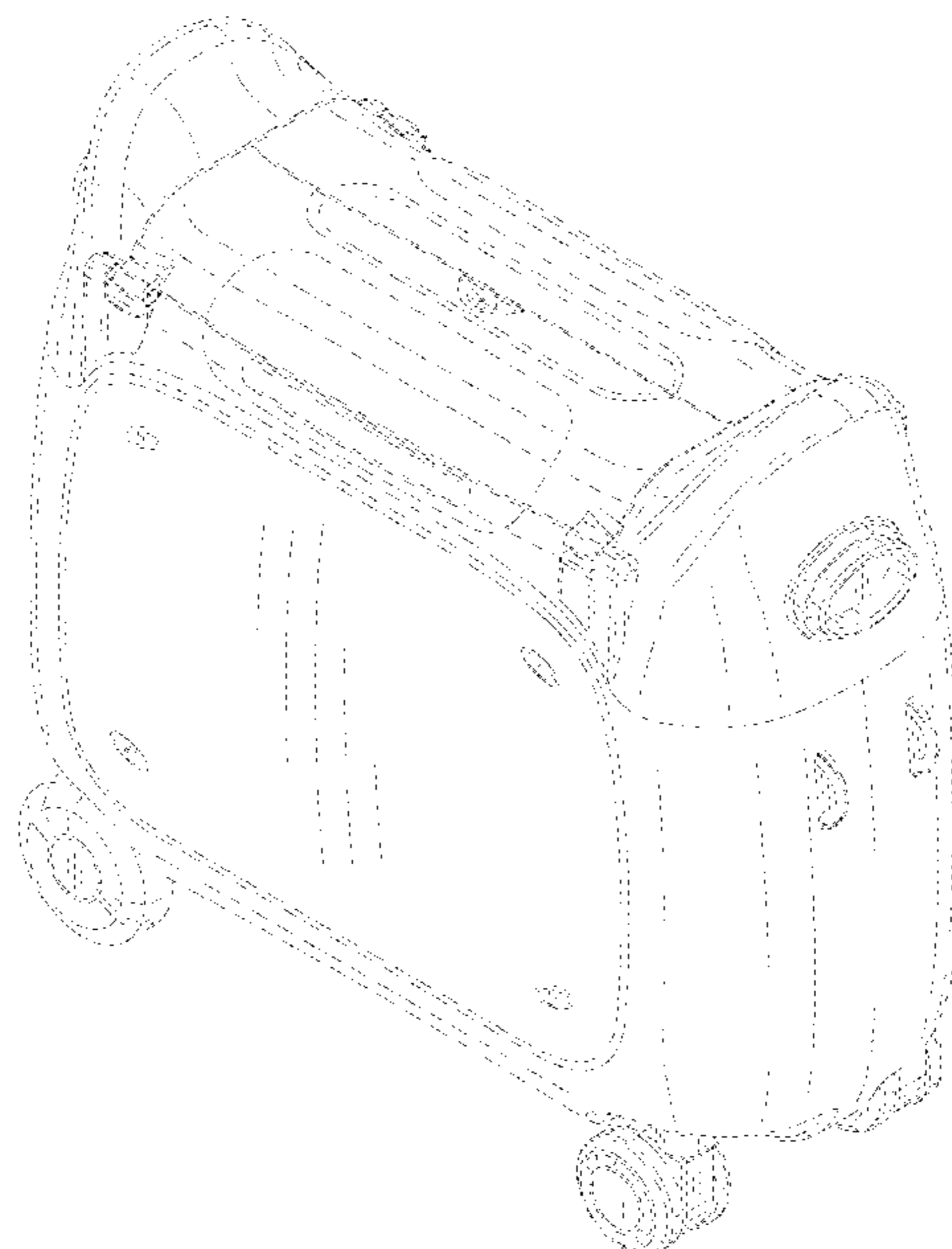
(57) **CLAIM**

The ornamental design for a luggage, as shown and described.

DESCRIPTION

FIG. 1 is a perspective view of a luggage showing the new design;
FIG. 2 is a front elevation view thereof;
FIG. 3 is a rear elevation view thereof;
FIG. 4 is a left side view thereof;
FIG. 5 is a right side view thereof;
FIG. 6 is a top plan view thereof;
FIG. 7 is a bottom plan view thereof;
FIG. 8 is another perspective view thereof;
FIG. 9 is a perspective view thereof shown in an unfolded state; and,
FIG. 10 is a perspective view thereof shown in another unfolded state.

1 Claim, 10 Drawing Sheets



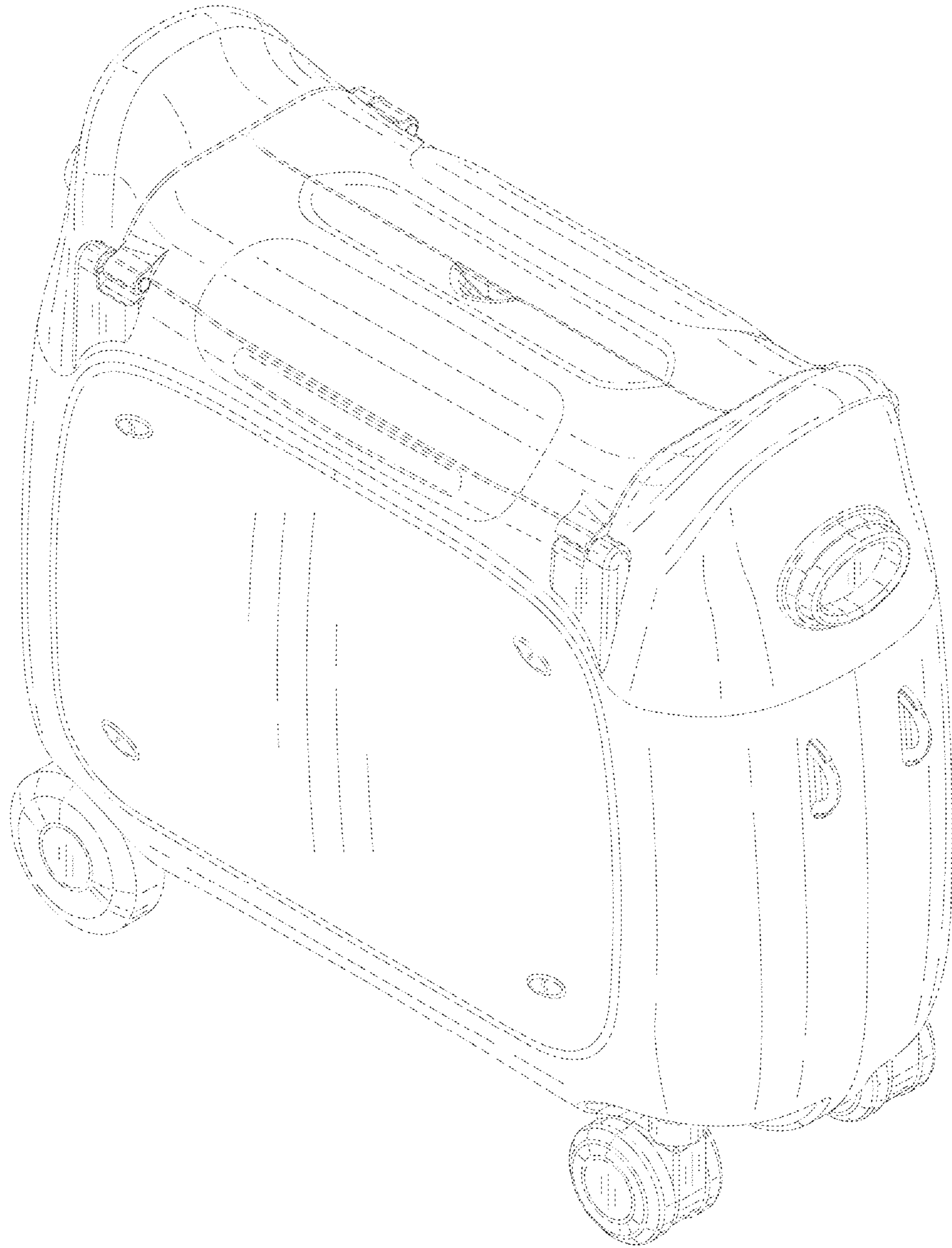


FIG. 1

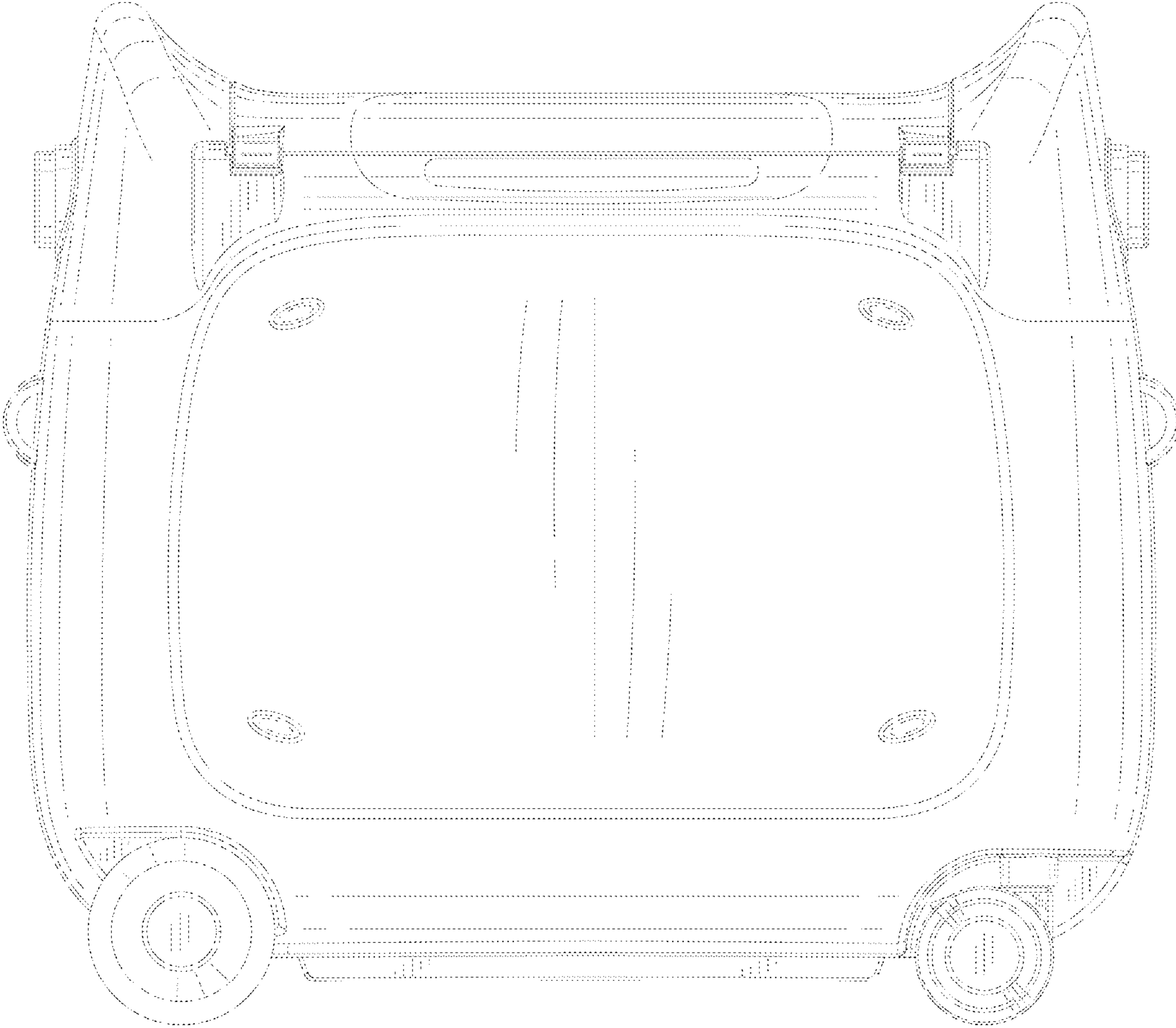


FIG. 2

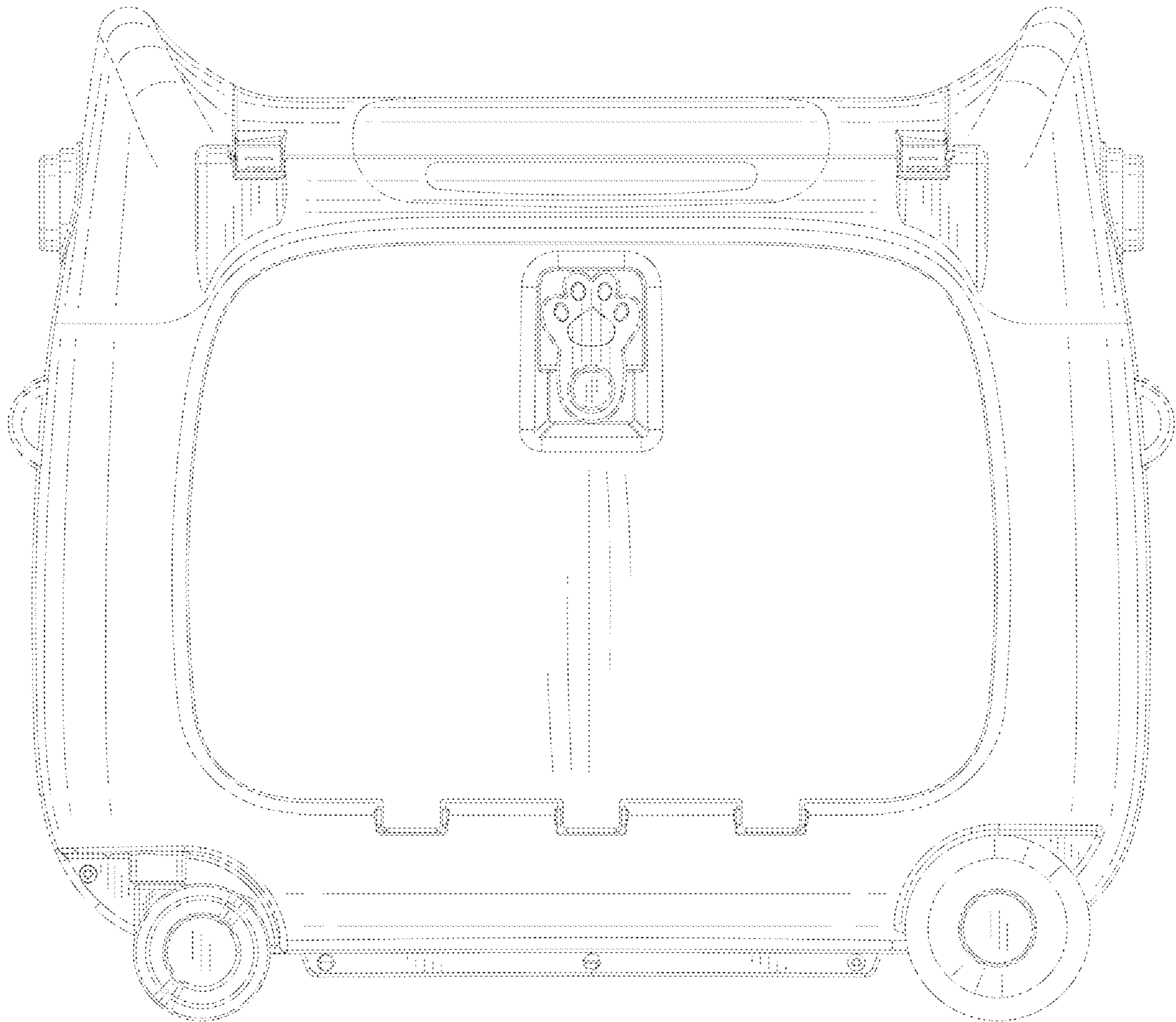


FIG. 3

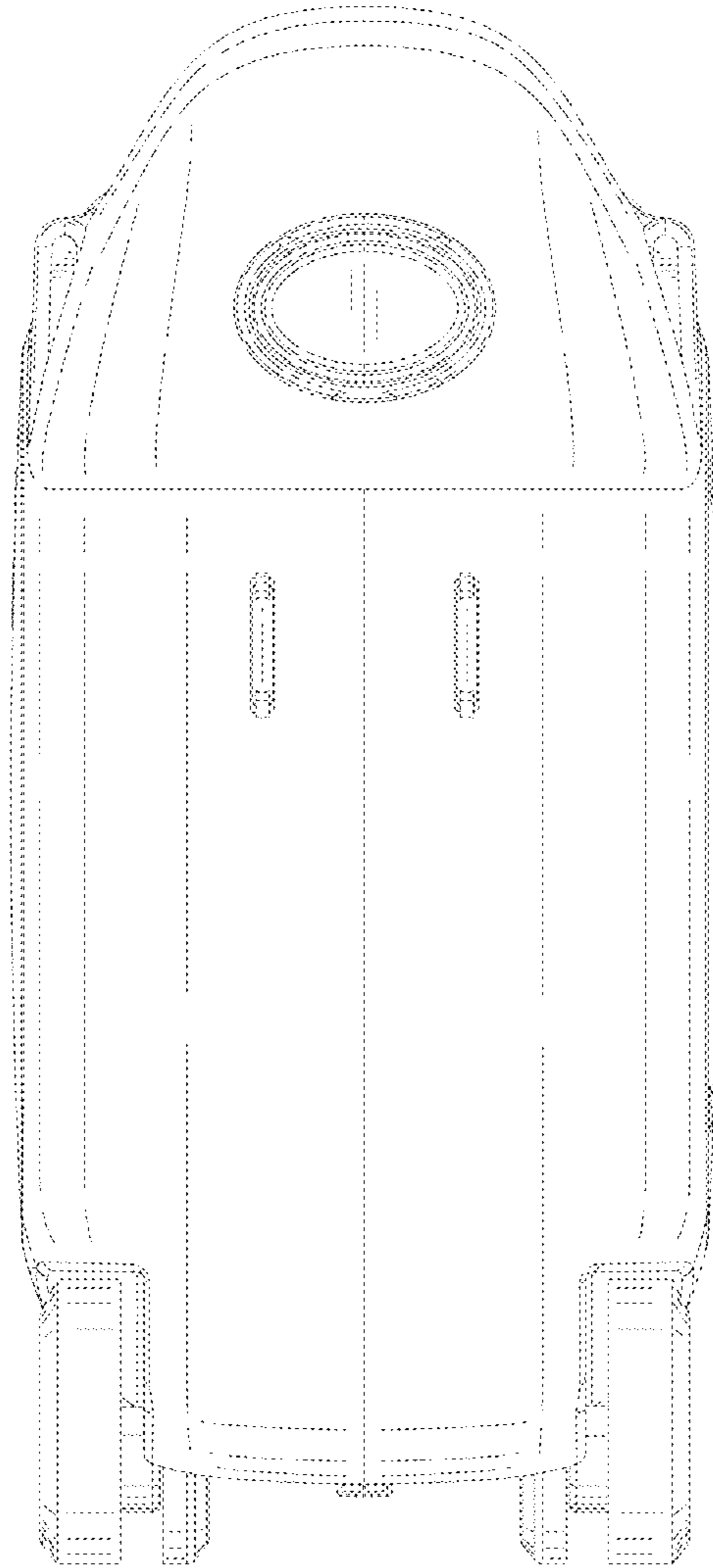


FIG. 4

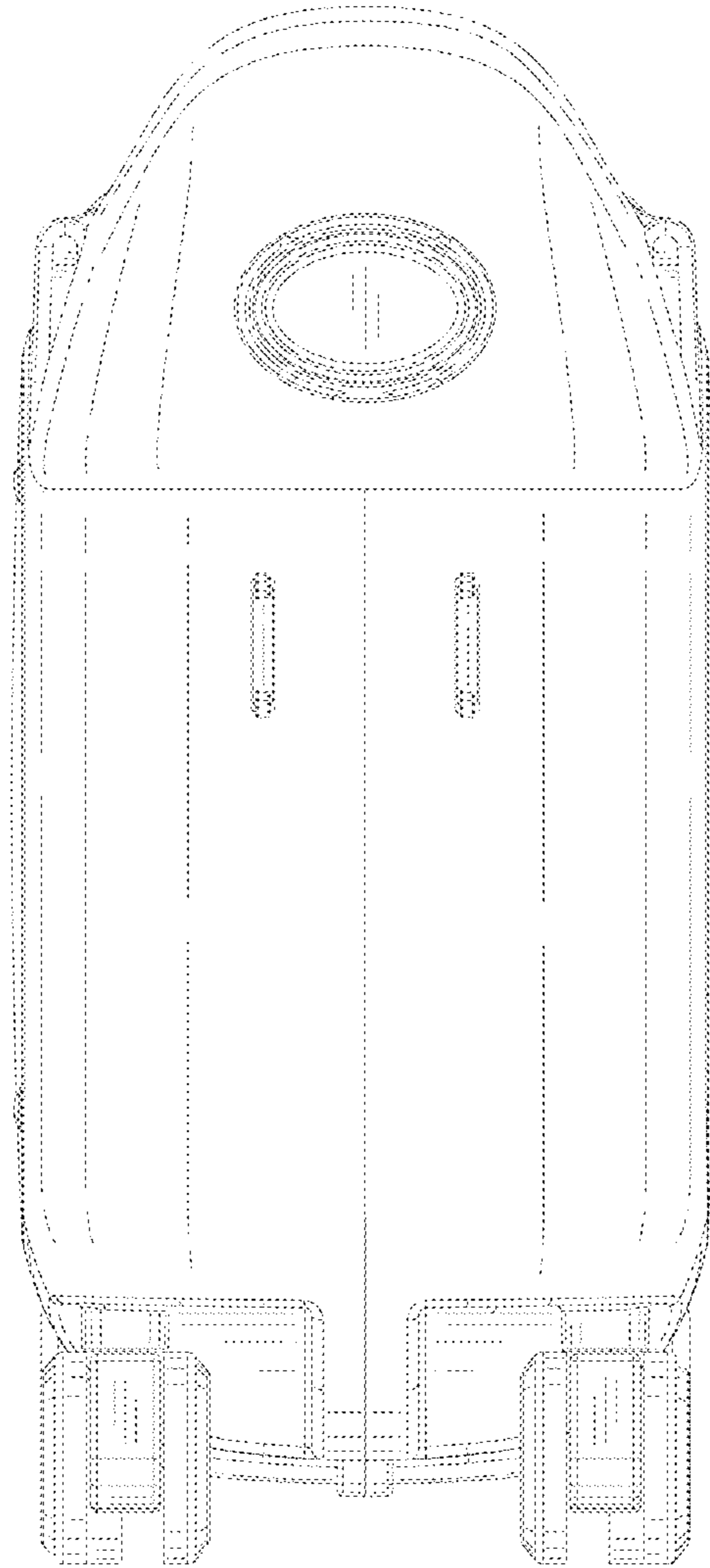


FIG. 5

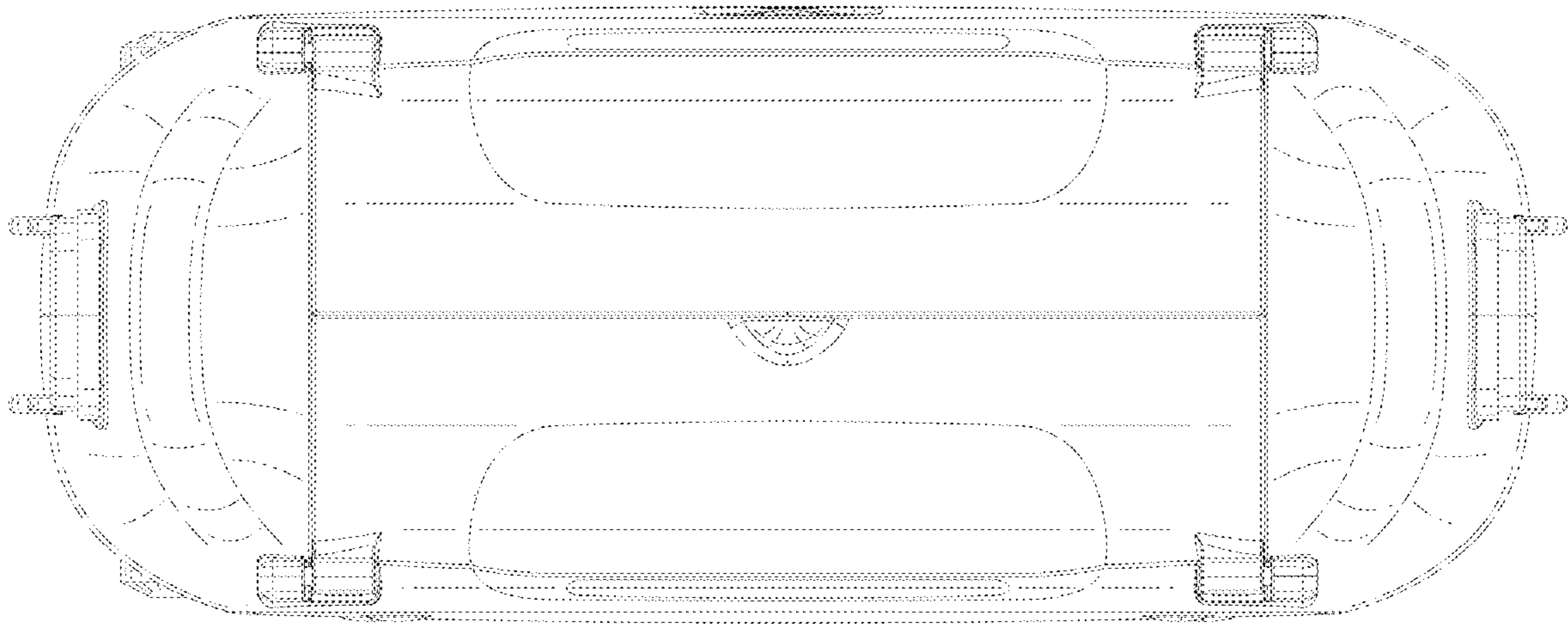


FIG. 6

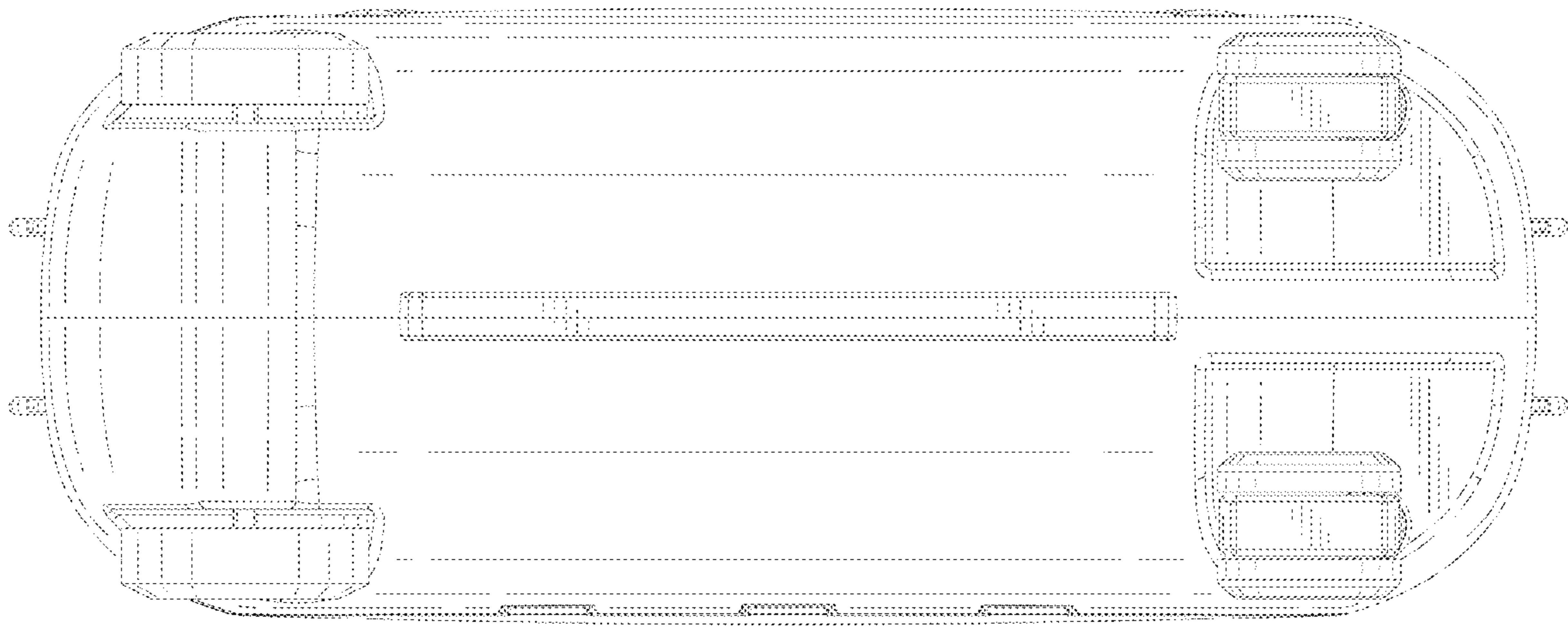


FIG. 7

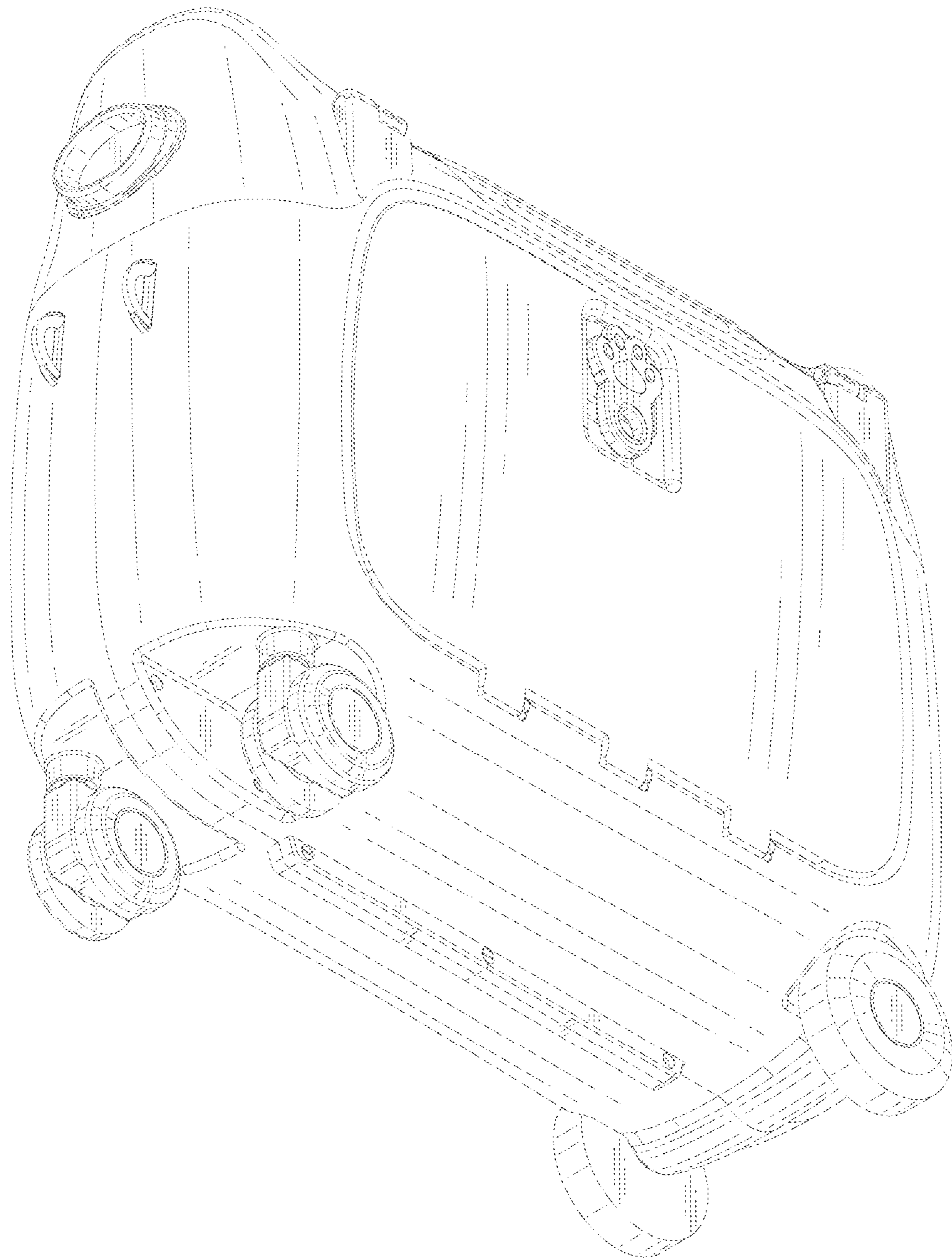


FIG. 8

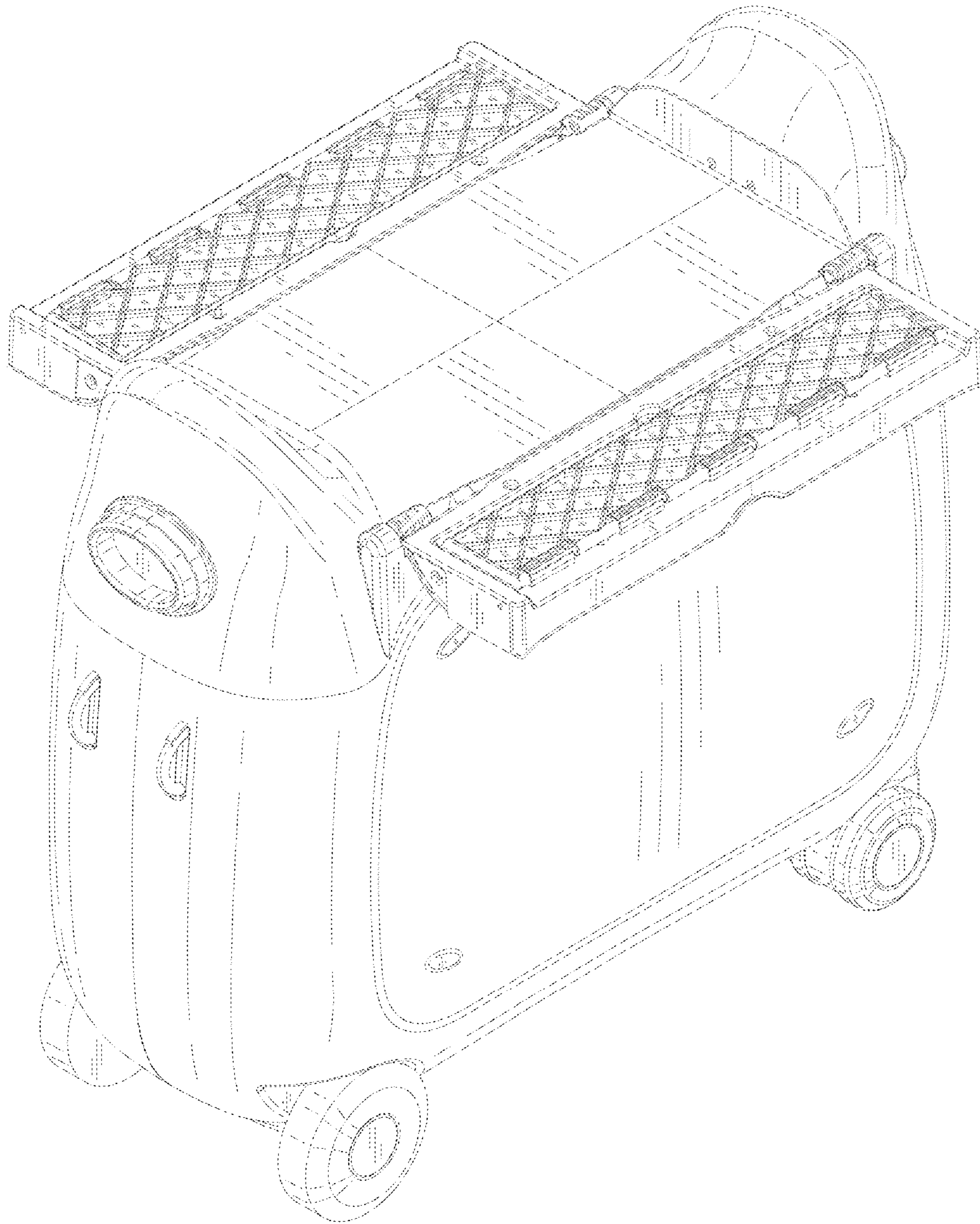


FIG. 9

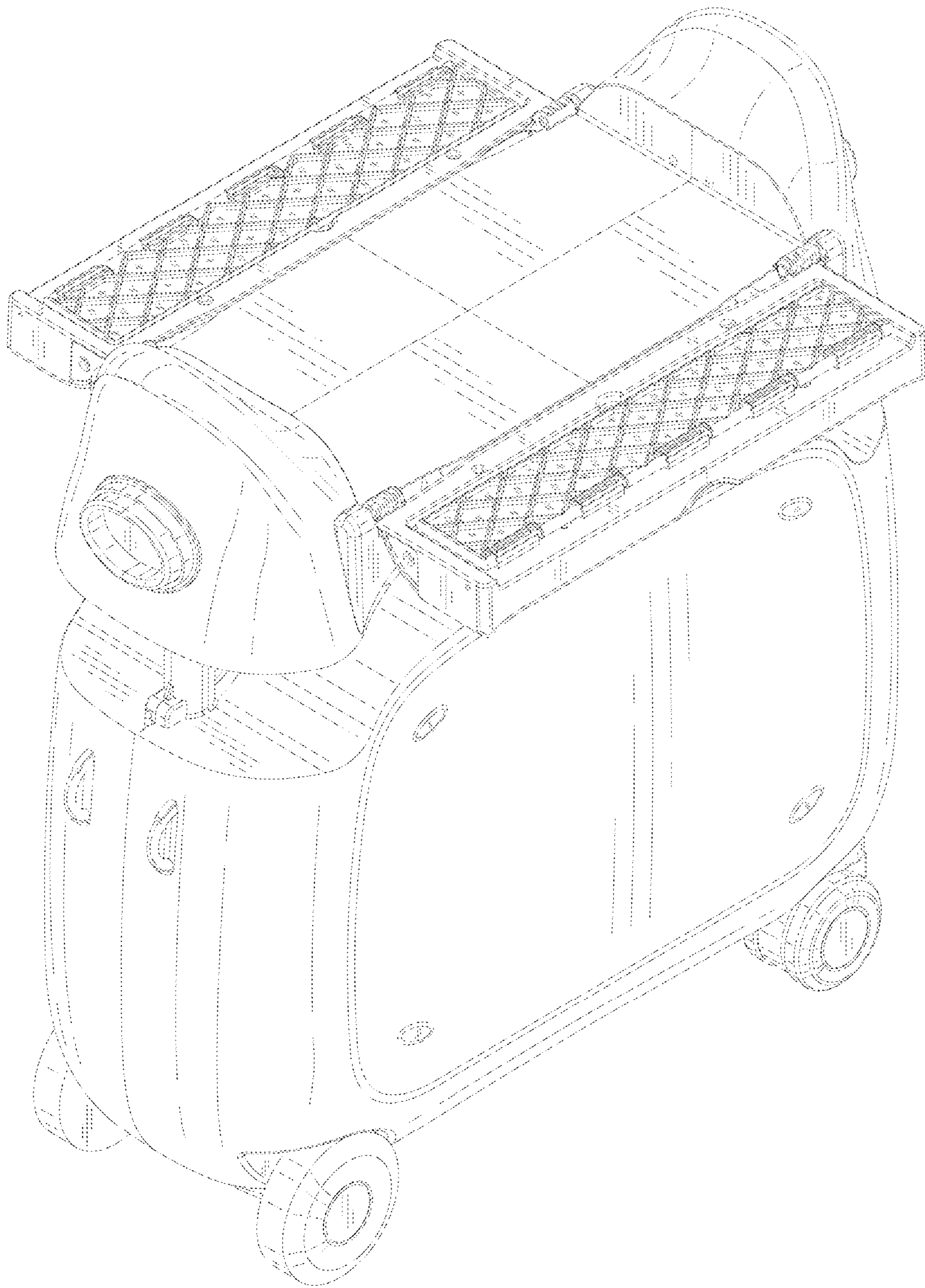


FIG. 10