



US00D909751S

(12) **United States Design Patent** (10) **Patent No.:** **US D909,751 S**  
**Sticca et al.** (45) **Date of Patent:** **\*\* Feb. 9, 2021**

(54) **HARD-SIDED FOUR WHEELED CASE** 2014/0283335 A1\* 9/2014 Meersschaert ..... B60B 33/002  
 16/46

(71) Applicant: **Briggs and Riley Travelware, LLC**,  
 Hauppauge, NY (US)

\* cited by examiner

(72) Inventors: **Alan Sticca**, White Plains, NY (US);  
**Georgene Rada**, Northport, NY (US);  
**Richard Krulik**, Northport, NY (US)

*Primary Examiner* — Charles D Hanson

(74) *Attorney, Agent, or Firm* — Scully, Scott, Murphy & Presser, P.C.

(73) Assignee: **Briggs and Riley Travelware, LLC**,  
 Hauppauge, NY (US)

(57) **CLAIM**

The ornamental design for a hard-sided four wheeled case, as shown and described.

(\*\*) Term: **15 Years**

**DESCRIPTION**

(21) Appl. No.: **29/687,206**

FIG. 1 illustrates a closed front elevation view of a hard-sided four wheeled case showing our new and ornamental design;

(22) Filed: **Apr. 11, 2019**

(51) **LOC (13) Cl.** ..... **03-03**

FIG. 2 illustrates a closed front perspective view thereof;

(52) **U.S. Cl.**

USPC ..... **D3/279**

FIG. 3 illustrates a closed side elevation view thereof;

(58) **Field of Classification Search**

USPC ..... D3/205, 206, 279

CPC ..... A45C 11/00; A45C 11/008; A45C 11/26;

A45C 2011/007; A45C 9/00; A45D 44/18

See application file for complete search history.

FIG. 4 illustrates a closed rear perspective view thereof;

FIG. 5 illustrates a closed rear elevation view thereof;

FIG. 6 illustrates a closed opposite side elevation view thereof;

FIG. 7 illustrates a closed top plan view thereof;

FIG. 8 illustrates a closed bottom plan view thereof;

FIG. 9 illustrates an open front perspective view thereof;

FIG. 10 illustrates an open rear perspective view thereof;

FIG. 11 illustrates an open top plan view thereof;

FIG. 12 illustrates an open bottom plan view thereof;

FIG. 13 illustrates an open side elevation view thereof;

FIG. 14 illustrates an open opposite side elevation view thereof;

FIG. 15 illustrates an open rear elevation view thereof; and,

FIG. 16 illustrates an open front elevation view thereof.

The broken lines are included for the purpose of illustrating portions of the article that form no part of the claimed design.

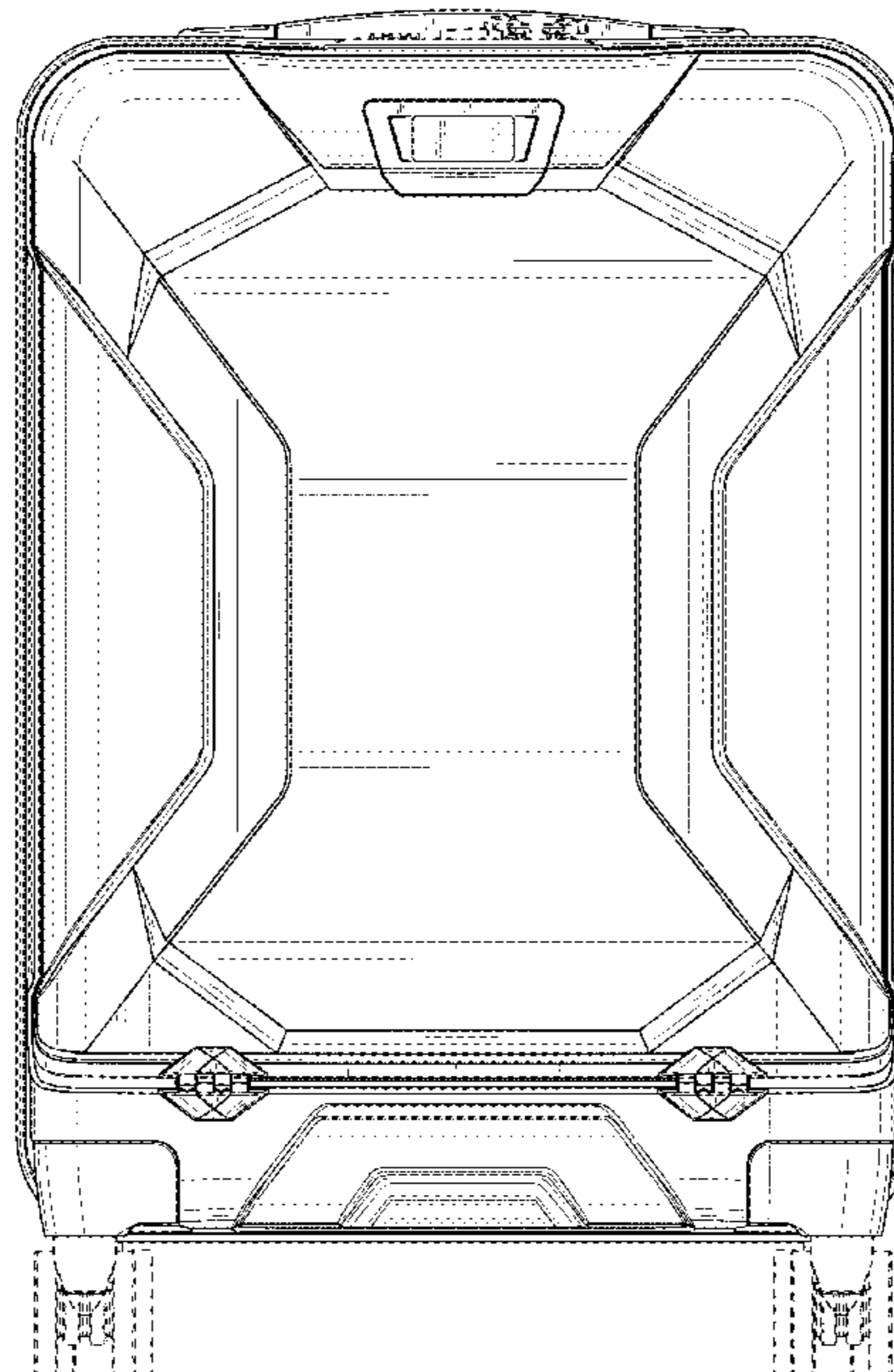
(56) **References Cited**

U.S. PATENT DOCUMENTS

|                   |         |              |       |             |
|-------------------|---------|--------------|-------|-------------|
| D328,188 S *      | 7/1992  | Jacobsen     | ..... | D3/270      |
| D664,355 S *      | 7/2012  | Moon         | ..... | D3/279      |
| D771,382 S *      | 11/2016 | Maeda        | ..... | D3/279      |
| D780,450 S *      | 3/2017  | Aoki         | ..... | D3/276      |
| D793,086 S *      | 8/2017  | Mahanavanont | ..... | D3/279      |
| D802,924 S *      | 11/2017 | Mahanavanont | ..... | D3/279      |
| D811,743 S *      | 3/2018  | Barenbrug    | ..... | D3/279      |
| D872,474 S *      | 1/2020  | Mahanavanont | ..... | D3/279      |
| D887,138 S *      | 6/2020  | Feng         | ..... | D3/279      |
| 2013/0292221 A1 * | 11/2013 | Ryan         | ..... | A45C 13/262 |

190/18 A

**1 Claim, 16 Drawing Sheets**



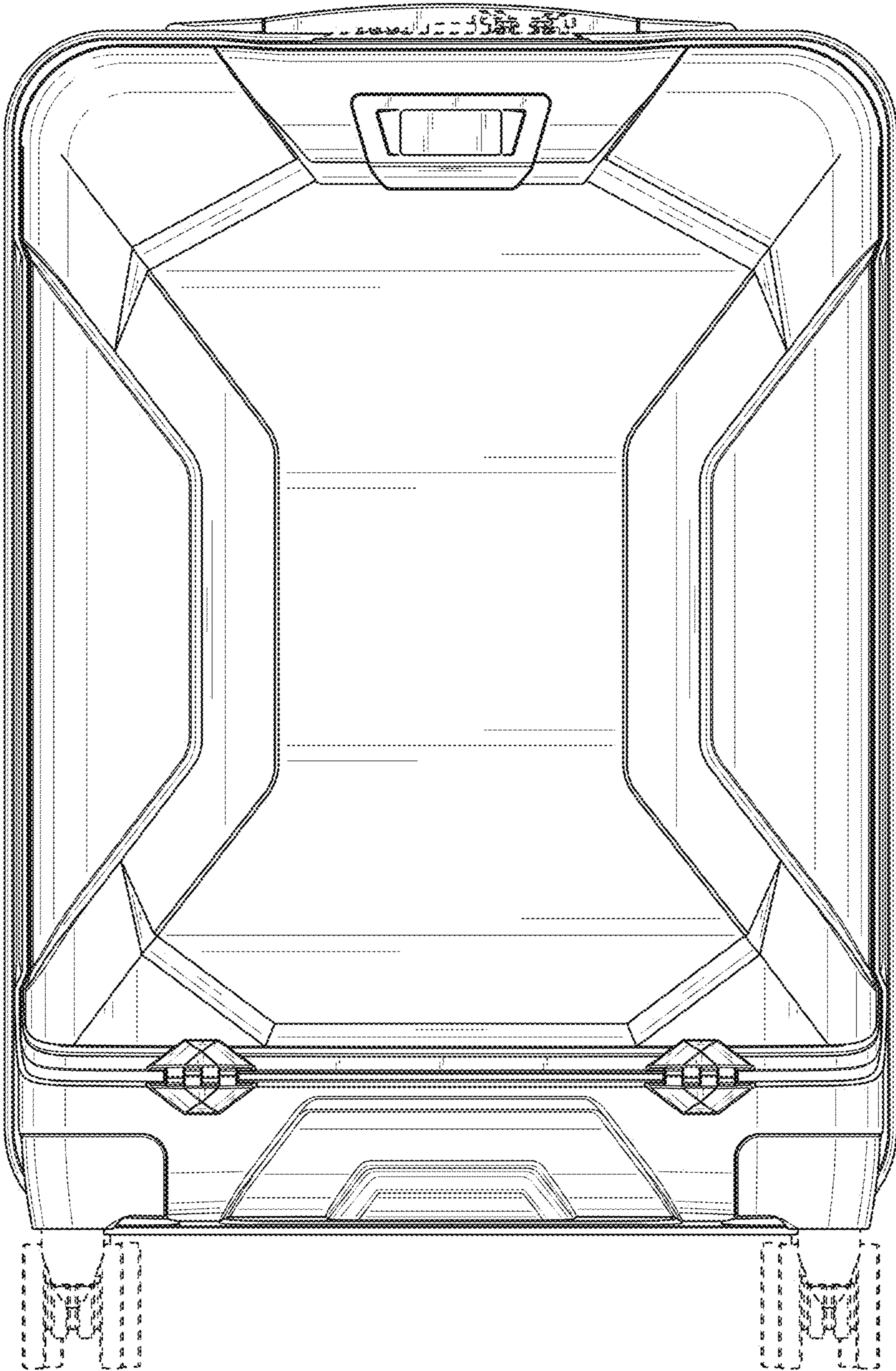


FIG. 1

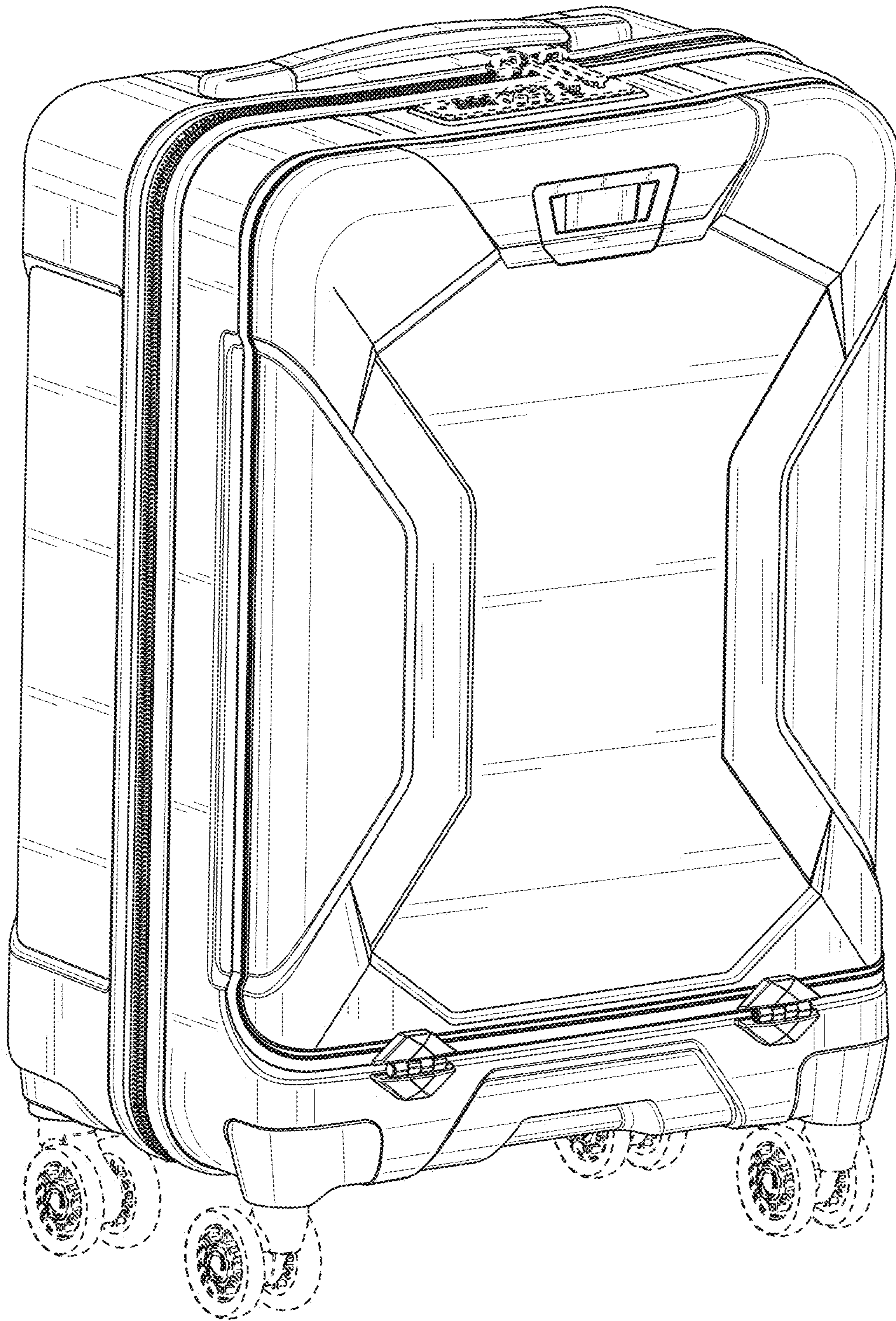


FIG. 2

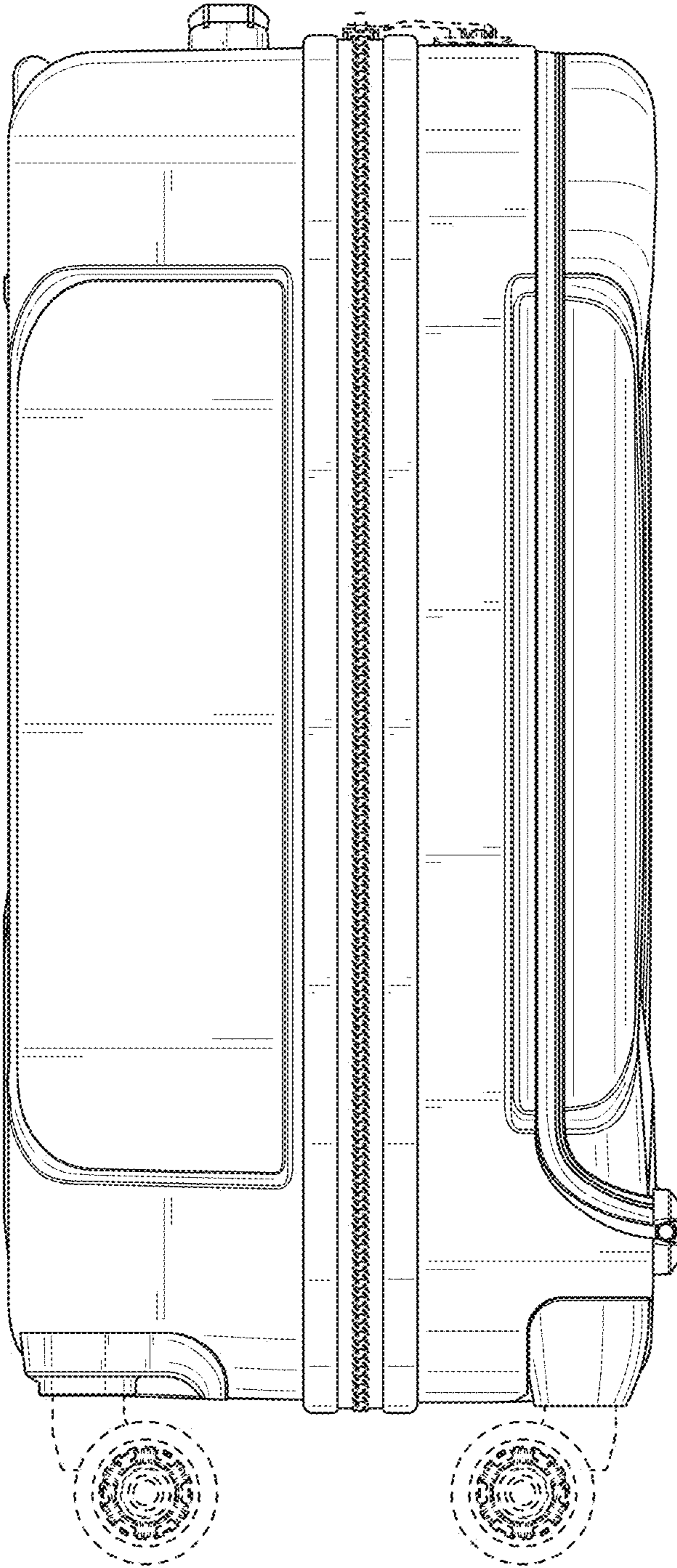


FIG. 3

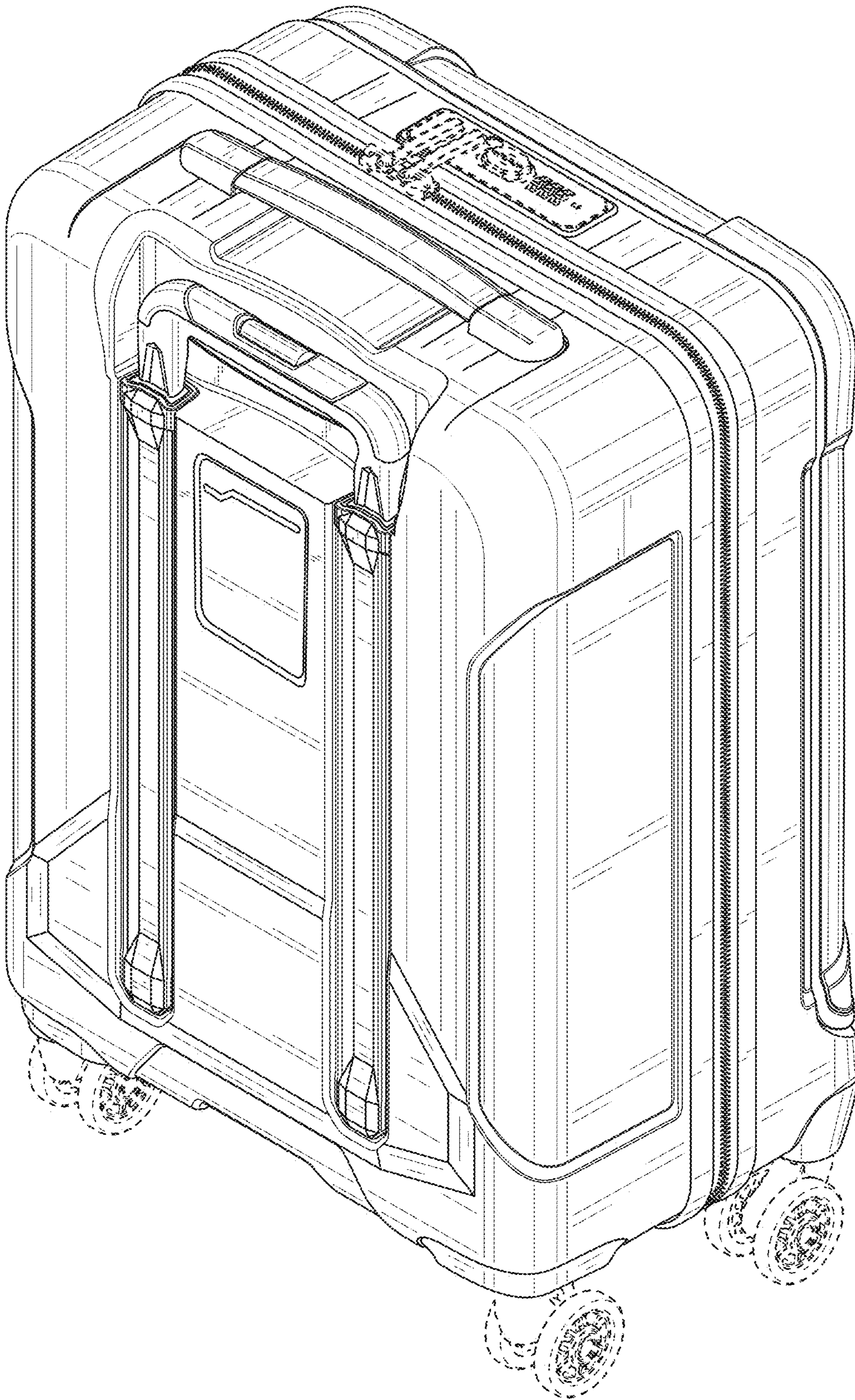


FIG. 4

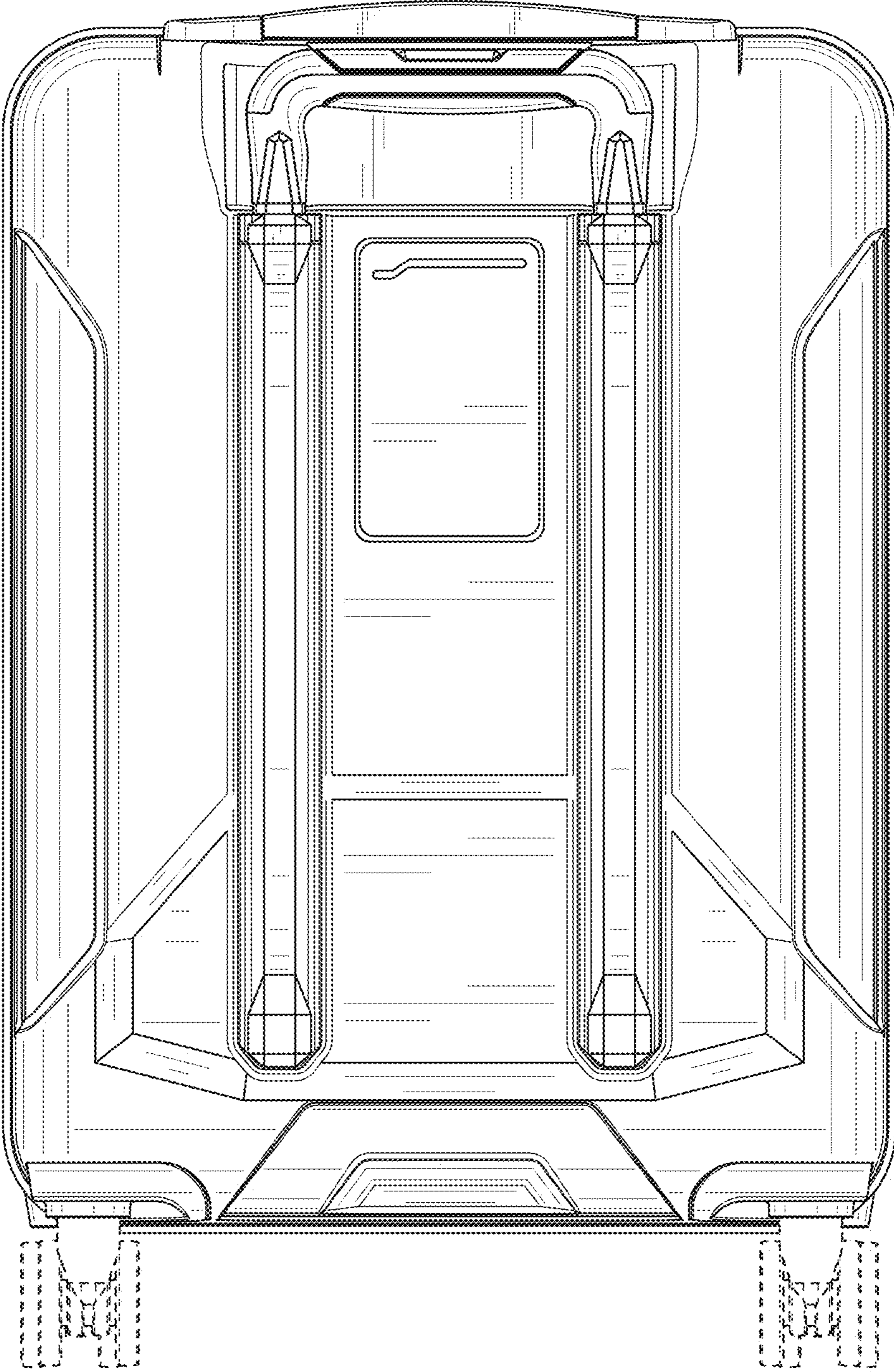


FIG. 5

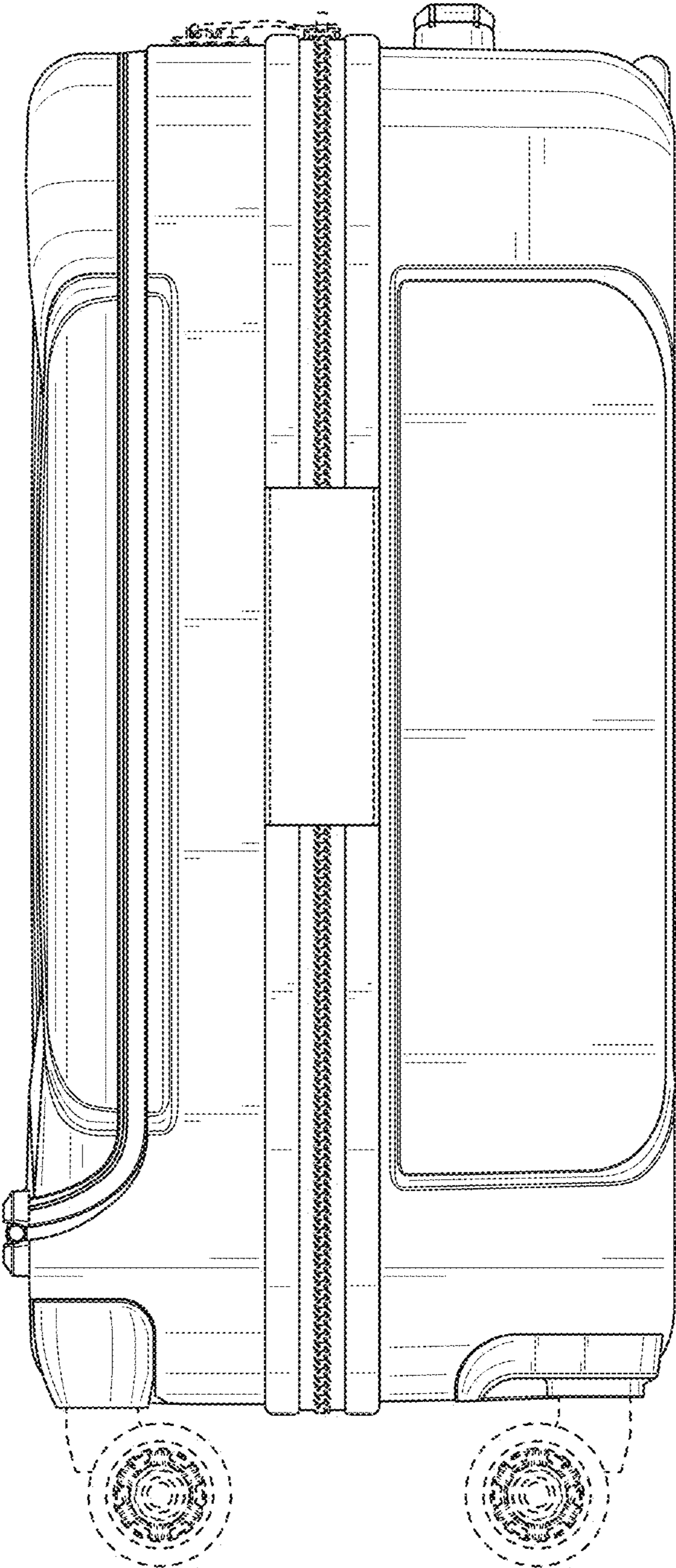


FIG. 6

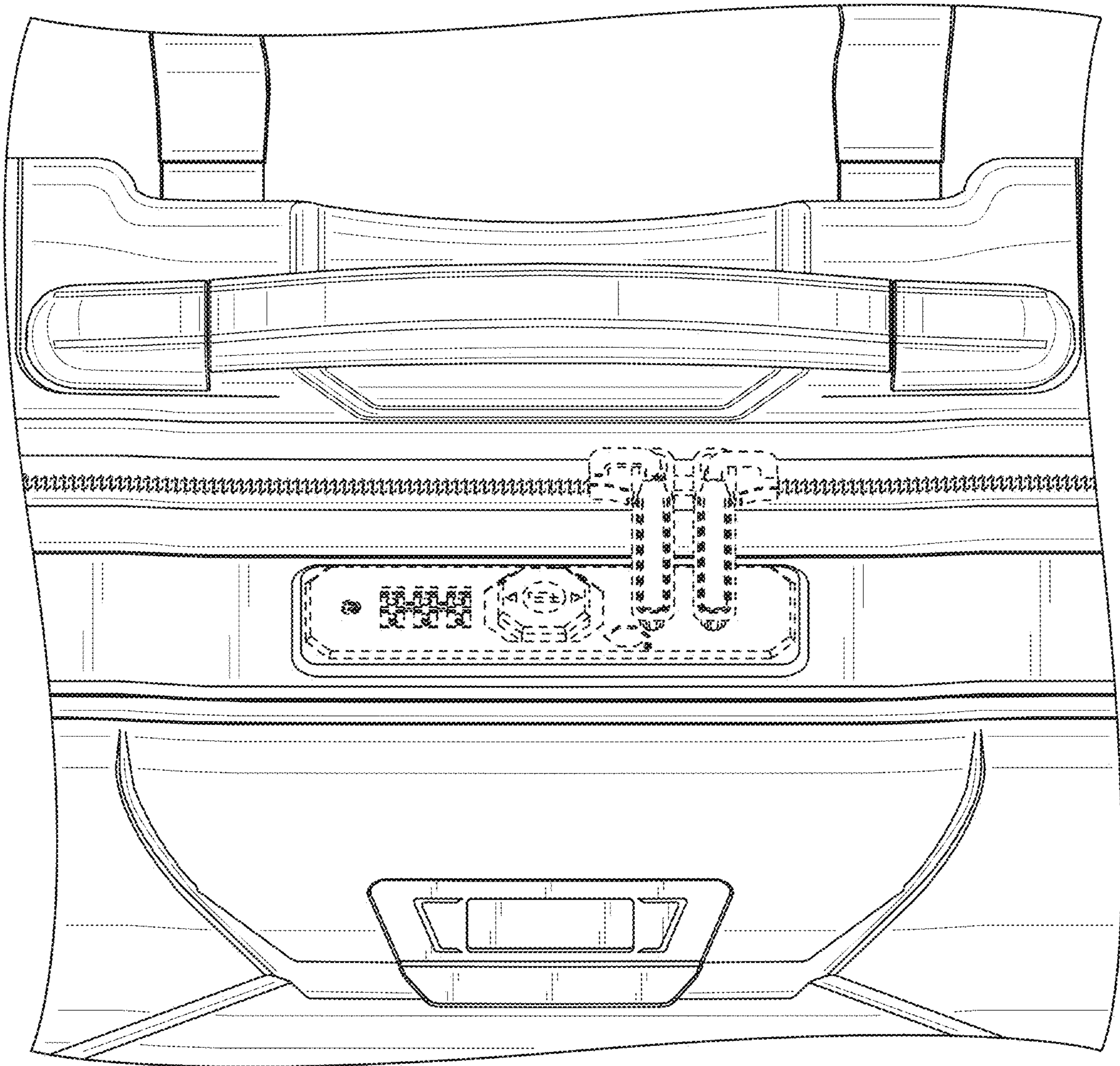


FIG. 7



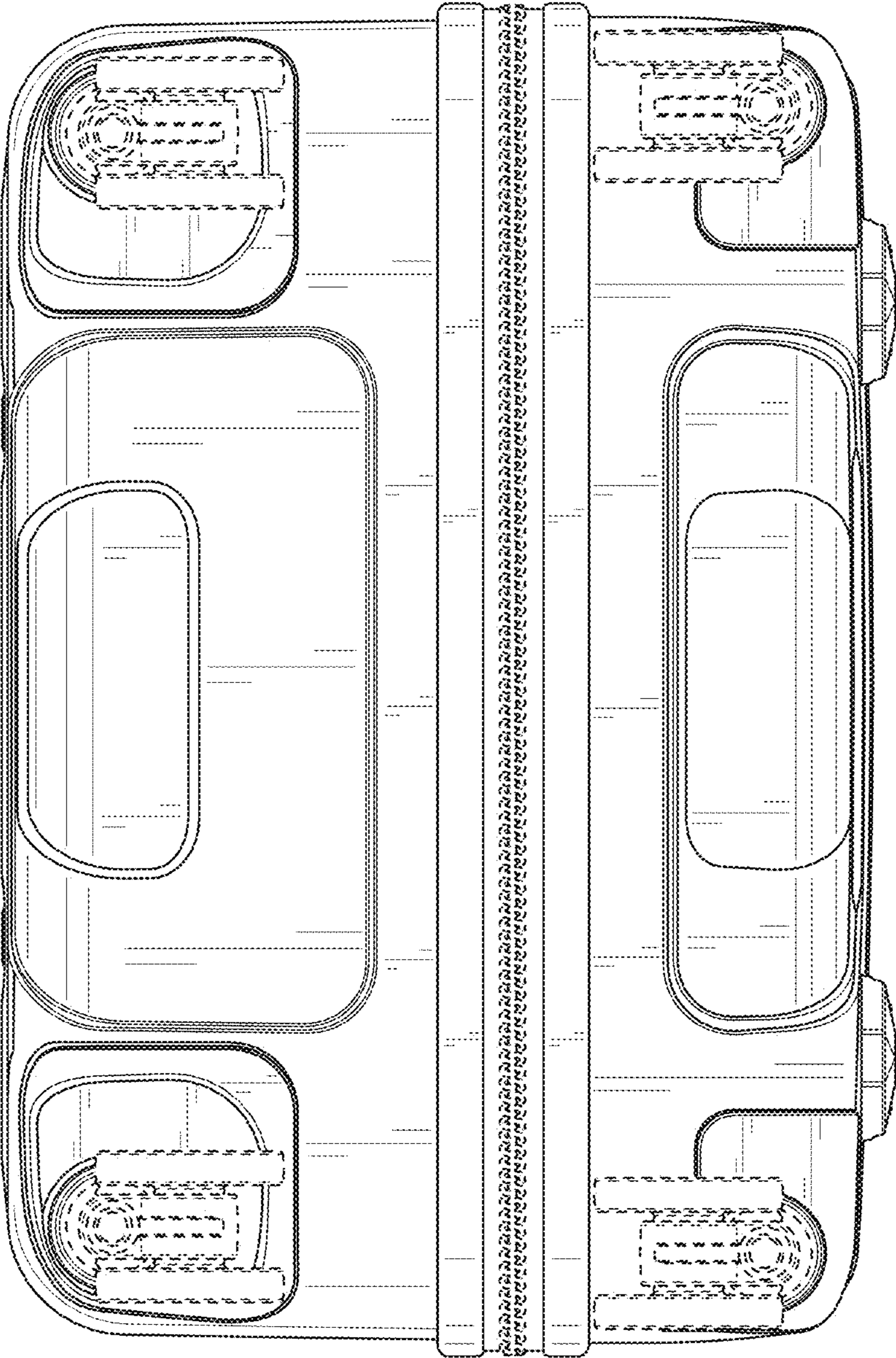


FIG. 8



FIG. 9

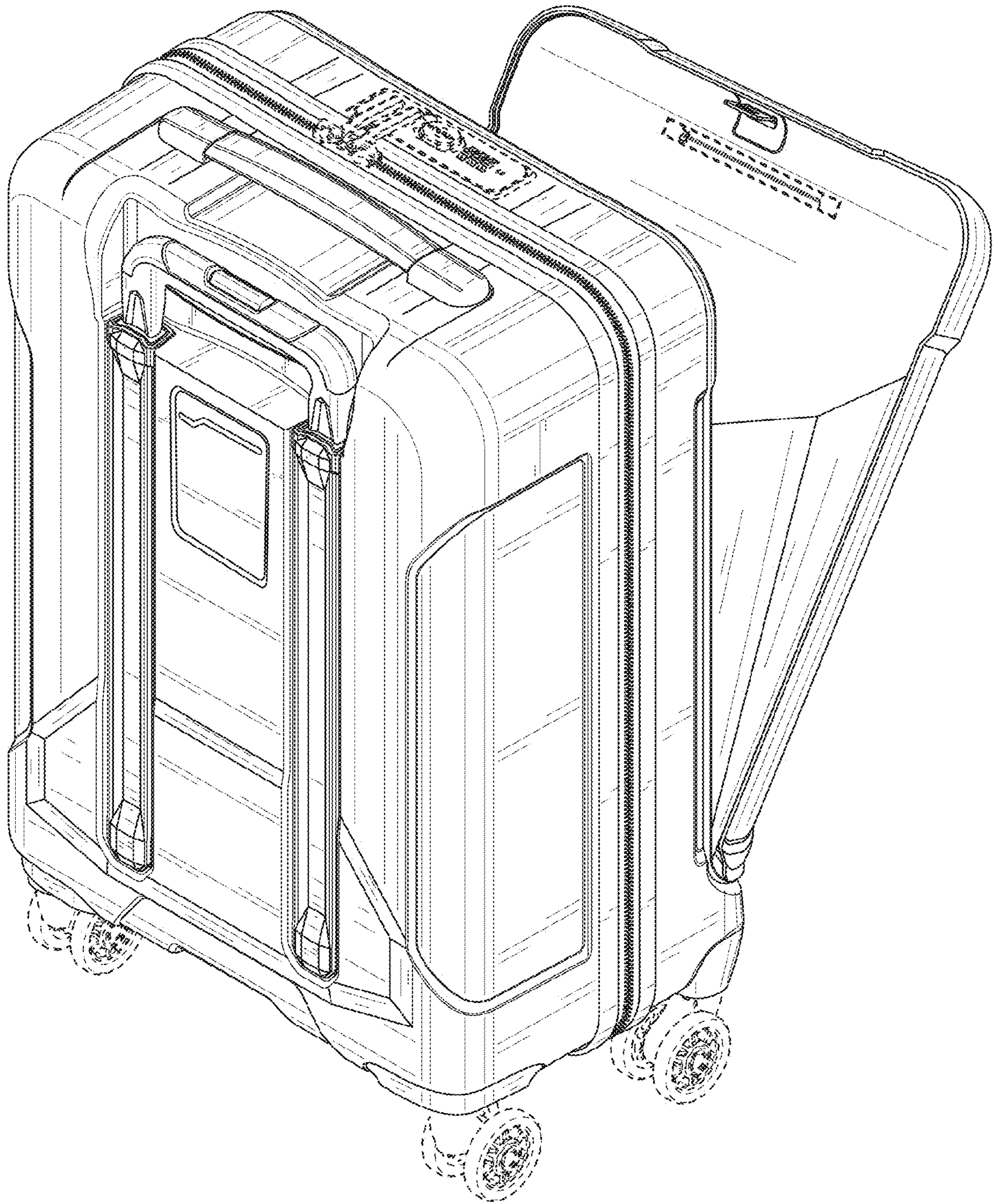


FIG. 10

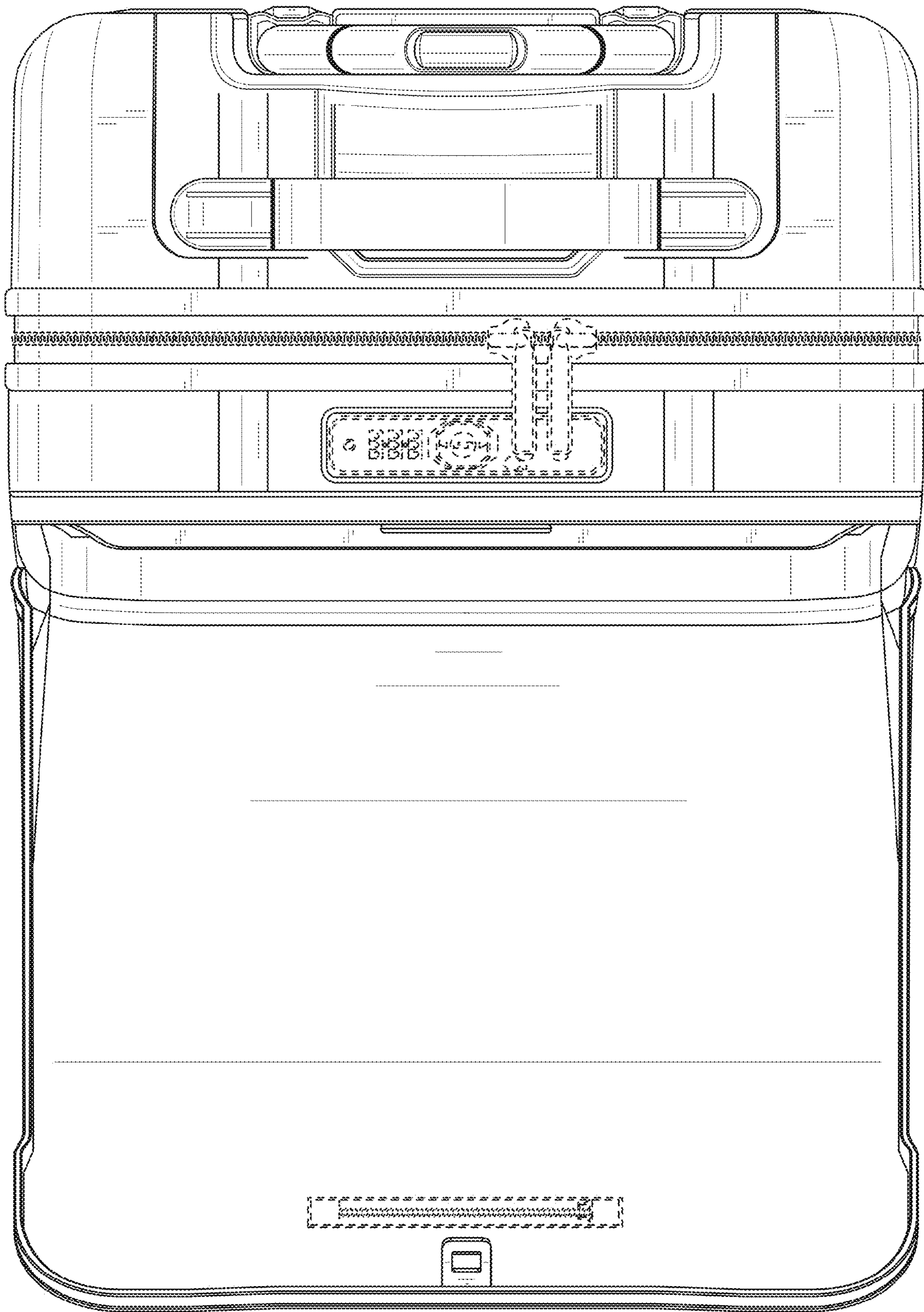


FIG. 11

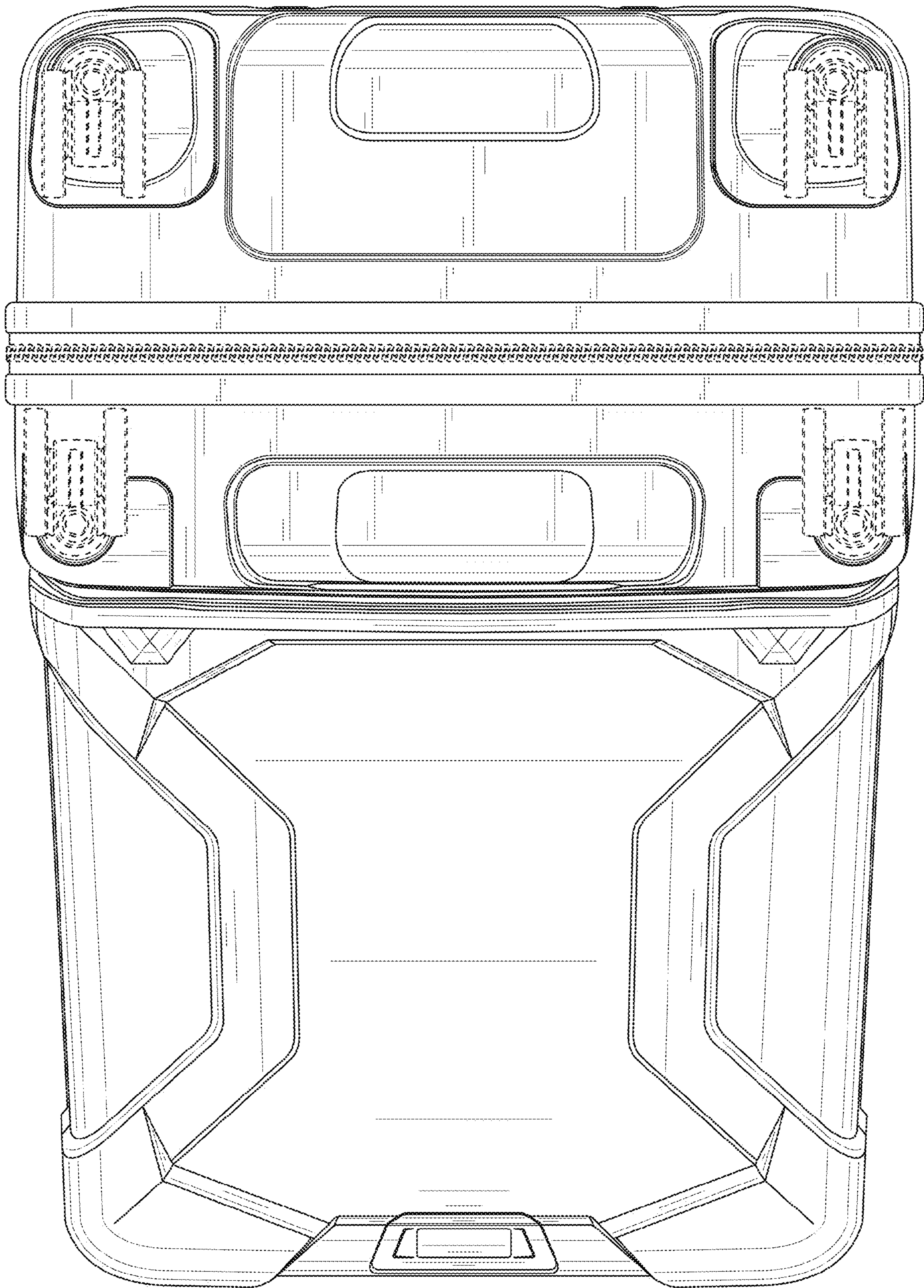


FIG. 12

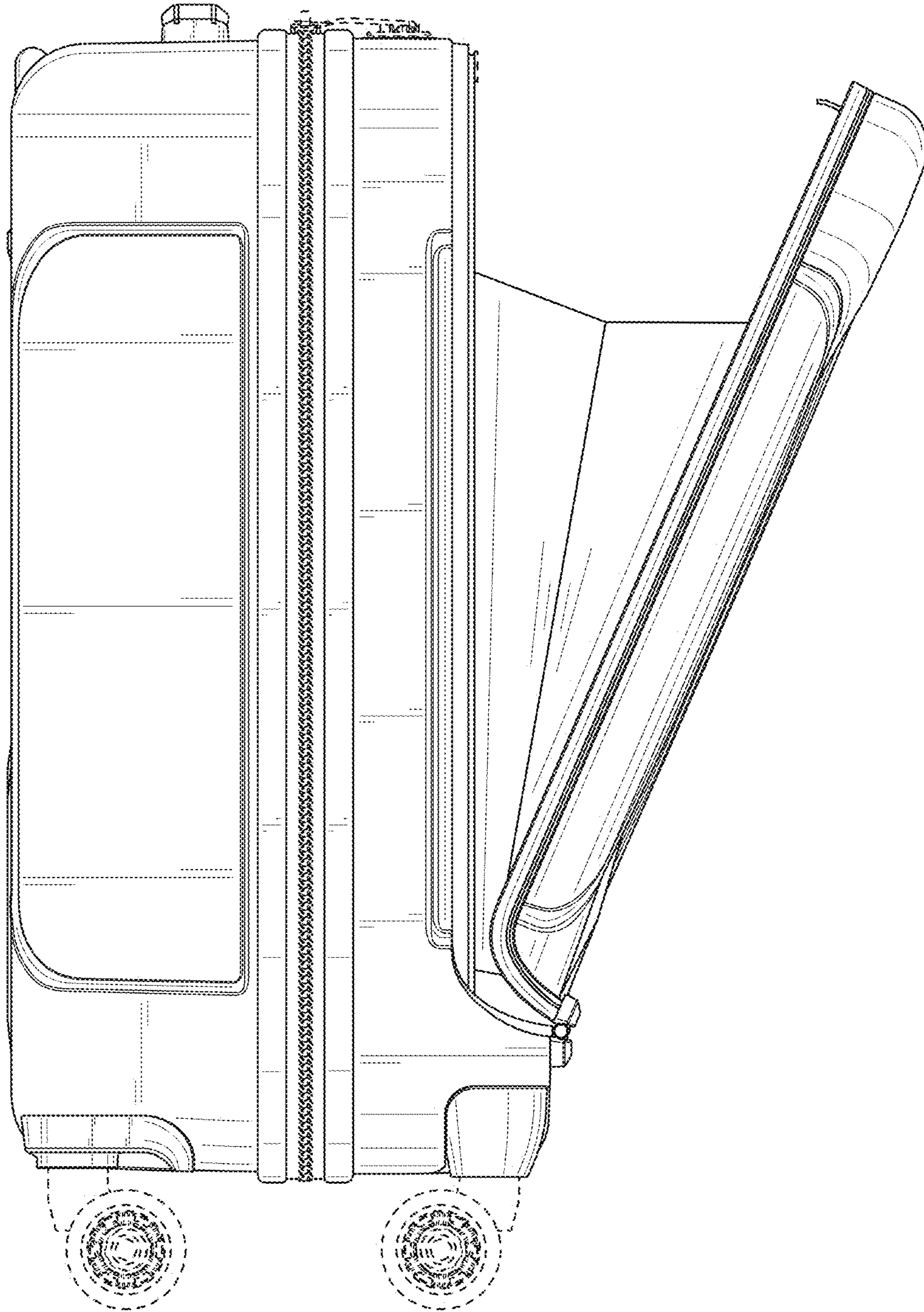


FIG. 13

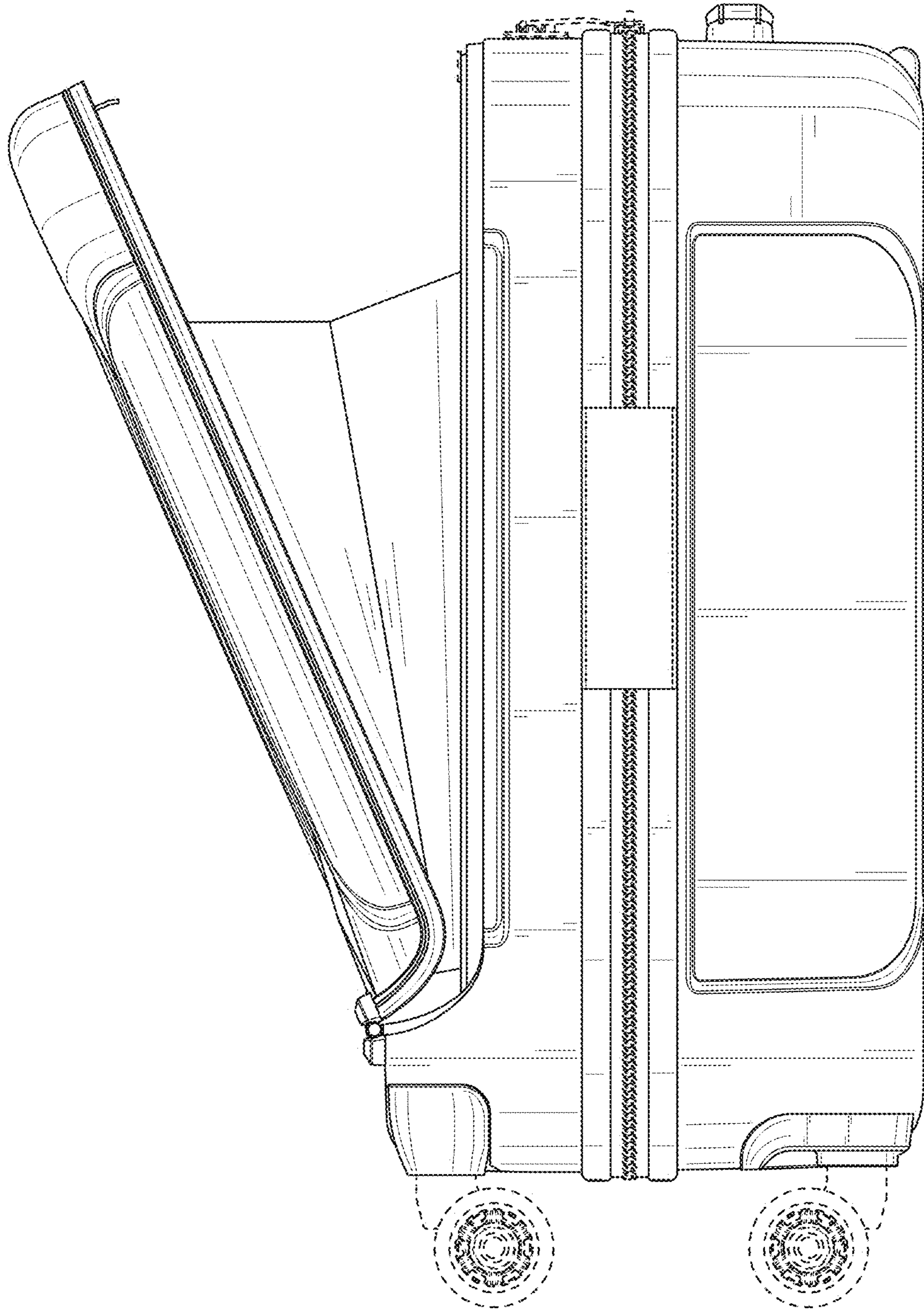


FIG. 14

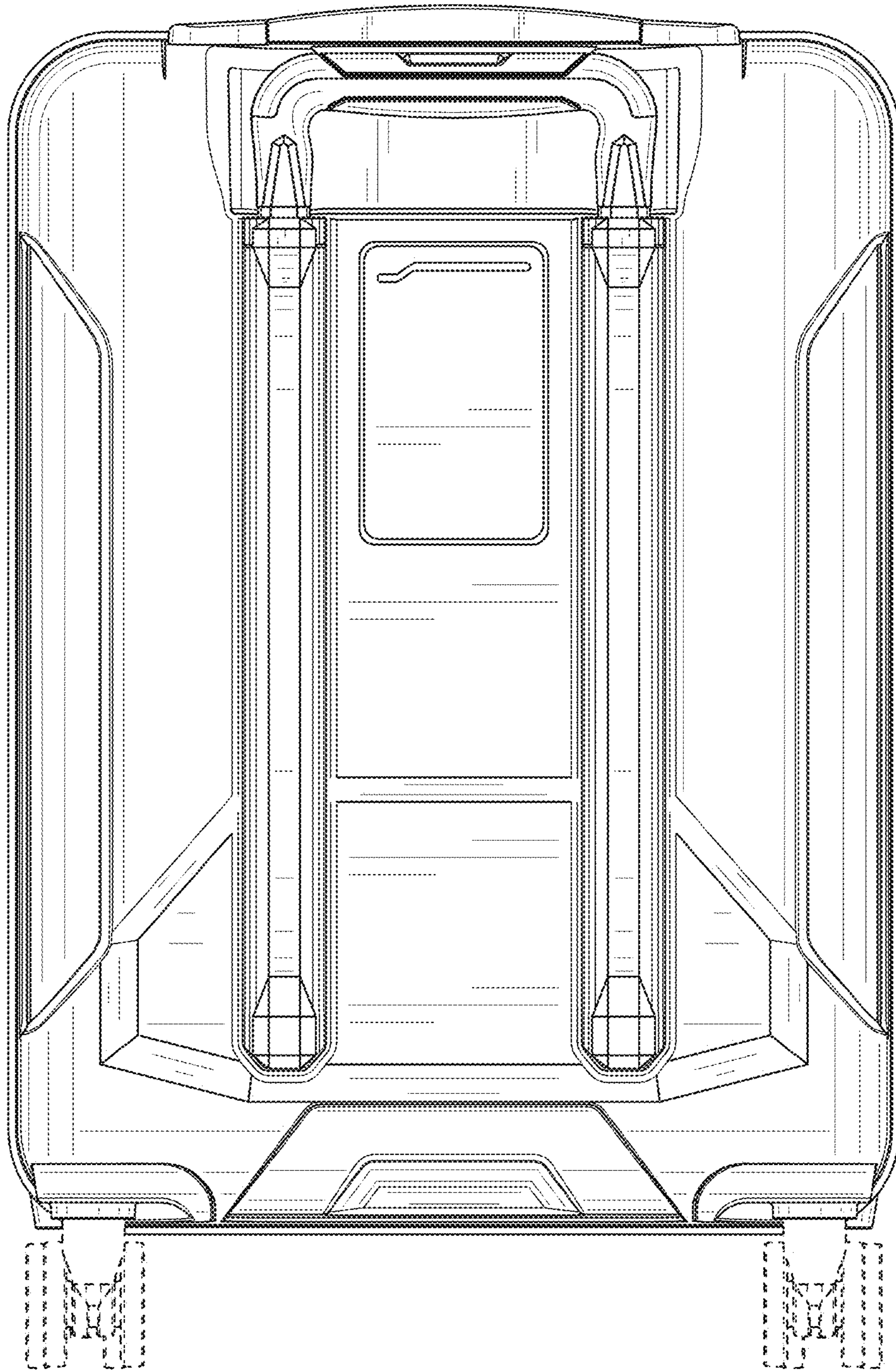


FIG. 15



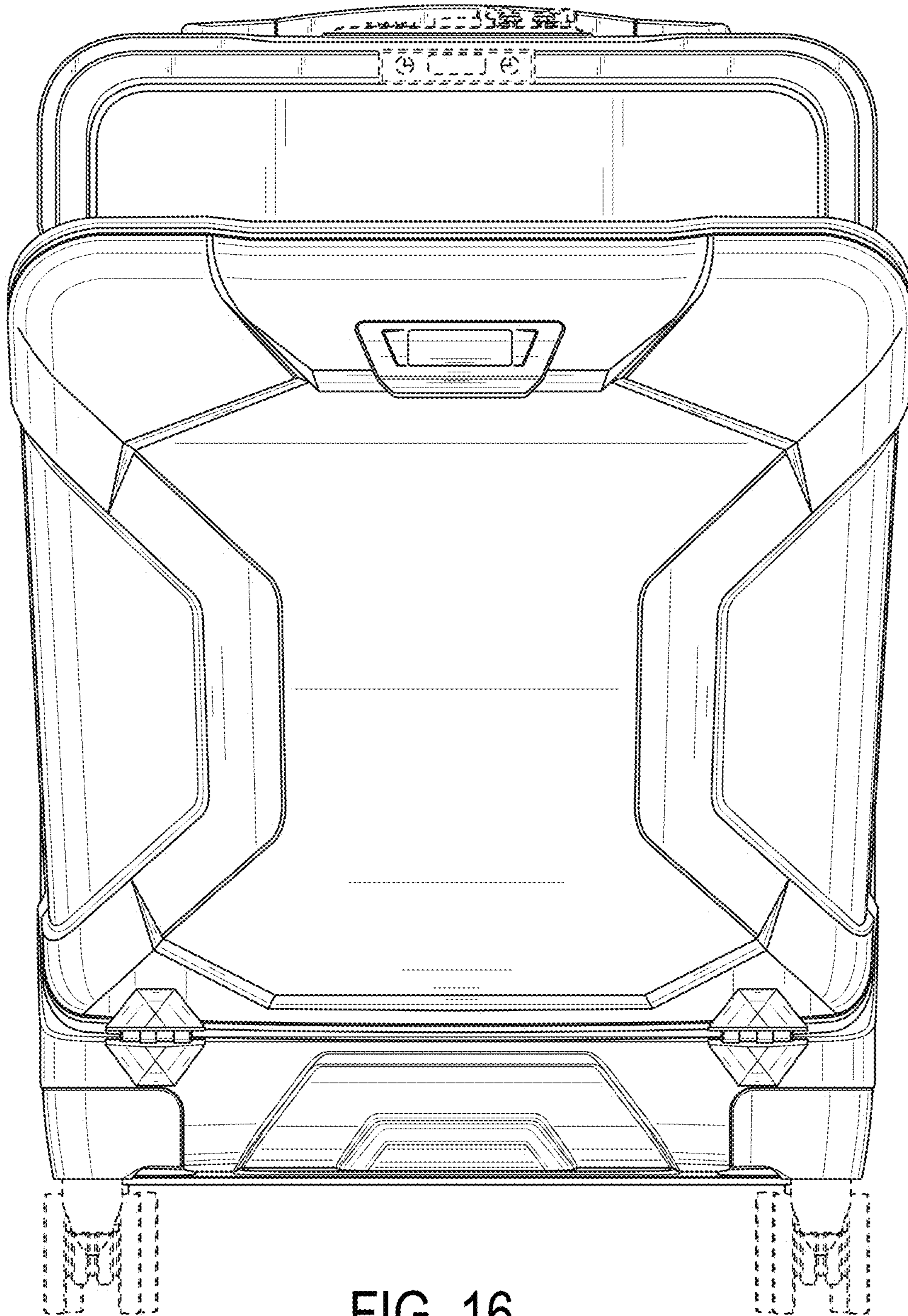


FIG. 16