



US00D909750S

(12) **United States Design Patent** (10) **Patent No.:** **US D909,750 S**
Zhu et al. (45) **Date of Patent:** **** Feb. 9, 2021**

(54) **BADGE HOLDER**

(71) Applicant: **Beijing Xiaomi Mobile Software Co., Ltd.**, Beijing (CN)

(72) Inventors: **Yin Zhu**, Beijing (CN); **Geshi Zhu**, Beijing (CN); **Jingsong Yang**, Beijing (CN)

(73) Assignee: **Beijing Xiaomi Mobile Software Co., Ltd.**, Beijing (CN)

(**) Term: **15 Years**

(21) Appl. No.: **35/506,911**

(22) Filed: **Dec. 11, 2018**

(80) **Hague Agreement Data**

Int. Filing Date: **Dec. 11, 2018**

Int. Reg. No.: **DM/200780**

Int. Reg. Date: **Dec. 11, 2018**

Int. Reg. Pub. Date: **Jun. 14, 2019**

(30) **Foreign Application Priority Data**

Jun. 11, 2018 (CN) 2018 3 0294472

(51) **LOC (13) Cl.** **03-01**

(52) **U.S. Cl.**
USPC **D3/247**

(58) **Field of Classification Search**

USPC D3/201, 207, 208, 209, 210, 212, 247,
D3/248, 249, 250, 303; D14/250, 248,
D14/439, 203.3, 251-253; D19/81, 86,
D19/90

CPC .. A45F 2200/055; A45F 2200/05; A45C 1/06;
A45C 1/08; A45C 2001/065; A45C
2001/067; A45C 2001/083; A45C 11/18;
A45C 11/184; A45C 11/32; A45C 11/325;
A45C 11/326

See application file for complete search history.

(56) **References Cited**

U.S. PATENT DOCUMENTS

D372,358 S * 8/1996 Mathison D11/78.1
D469,963 S * 2/2003 Ueno D6/300
D628,795 S * 12/2010 Sanders D3/247
D696,240 S * 12/2013 Kim D14/250
D697,308 S * 1/2014 Daniel D3/249
D705,206 S * 5/2014 Gengler D14/250
D713,473 S * 9/2014 Kuo D21/392

(Continued)

FOREIGN PATENT DOCUMENTS

KR 3019980010437 * 6/1998

OTHER PUBLICATIONS

Amazon, Super Heavy Duty Carabiner Badge and Key Reel, posted Jan. 16, 2017, [online], [visited Apr. 15, 2020]. Internet, <URL: https://www.amazon.co.uk/Carabiner-ID-Holder-Specialist-Individually/dp/B01DE9EFEU/ref=olp_product_details?ie=UTF8&me=> (Year: 2017).*

(Continued)

Primary Examiner — George D. Kirschbaum

Assistant Examiner — Samantha N Wood

(74) *Attorney, Agent, or Firm* — Syncoda LLC; Feng Ma

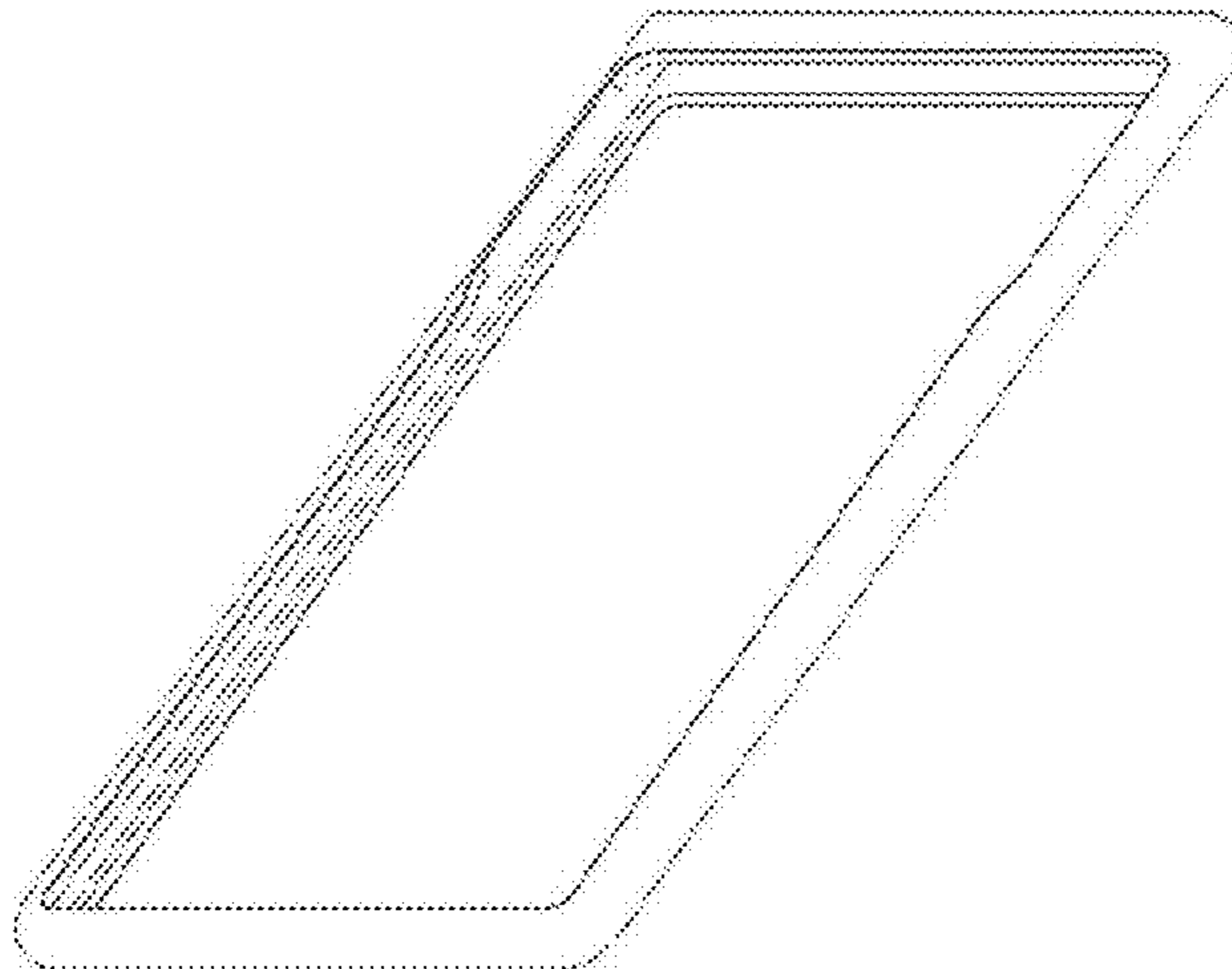
(57) **CLAIM**

The ornamental design for a badge holder, as shown and described.

DESCRIPTION

- 1.1: Front
- 1.2: Rear
- 1.3: Side
- 1.4: Side
- 1.5: Top
- 1.6: Bottom
- 1.7: Perspective
- 1.8: Perspective shown in use

(Continued)



The broken lines in the drawings depict environment and form no part of the claim.

1 Claim, 4 Drawing Sheets

(56)

References Cited

U.S. PATENT DOCUMENTS

D757,714 S * 5/2016 Akana D14/341
D787,490 S * 5/2017 Akana D14/250
2017/0095065 A1 * 4/2017 Colbert B65D 43/22

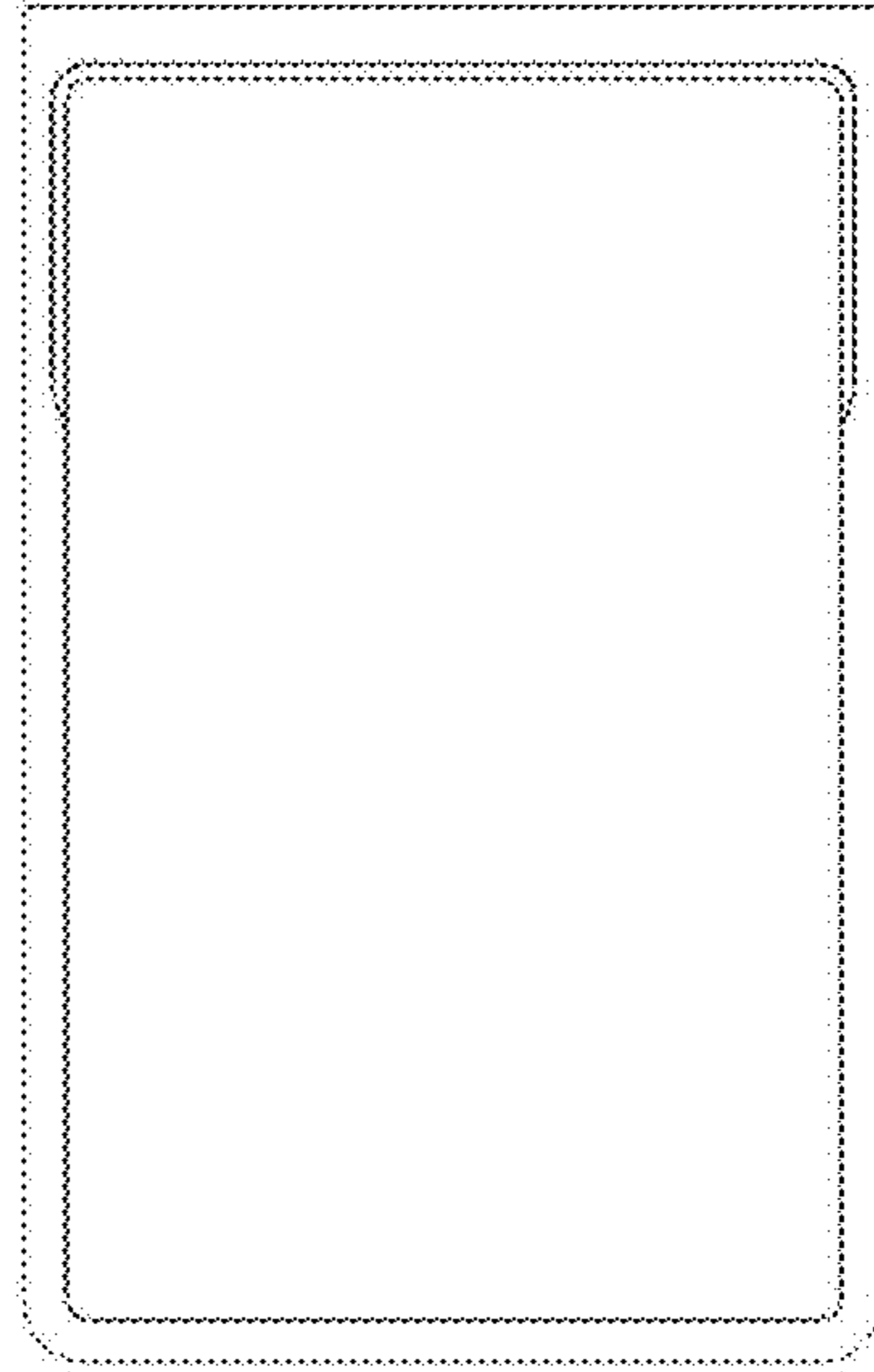
OTHER PUBLICATIONS

Amazon, ID Card holder, posted Oct. 2, 2014, [online], [visited Apr. 15, 2020]. Internet, <URL: https://www.amazon.co.uk/ID-Card-Holder-Vertical-Enclosed/dp/B00O4EYGF1/ref=olp_product_details?ie=UTF8&me=> (Year: 2014).*

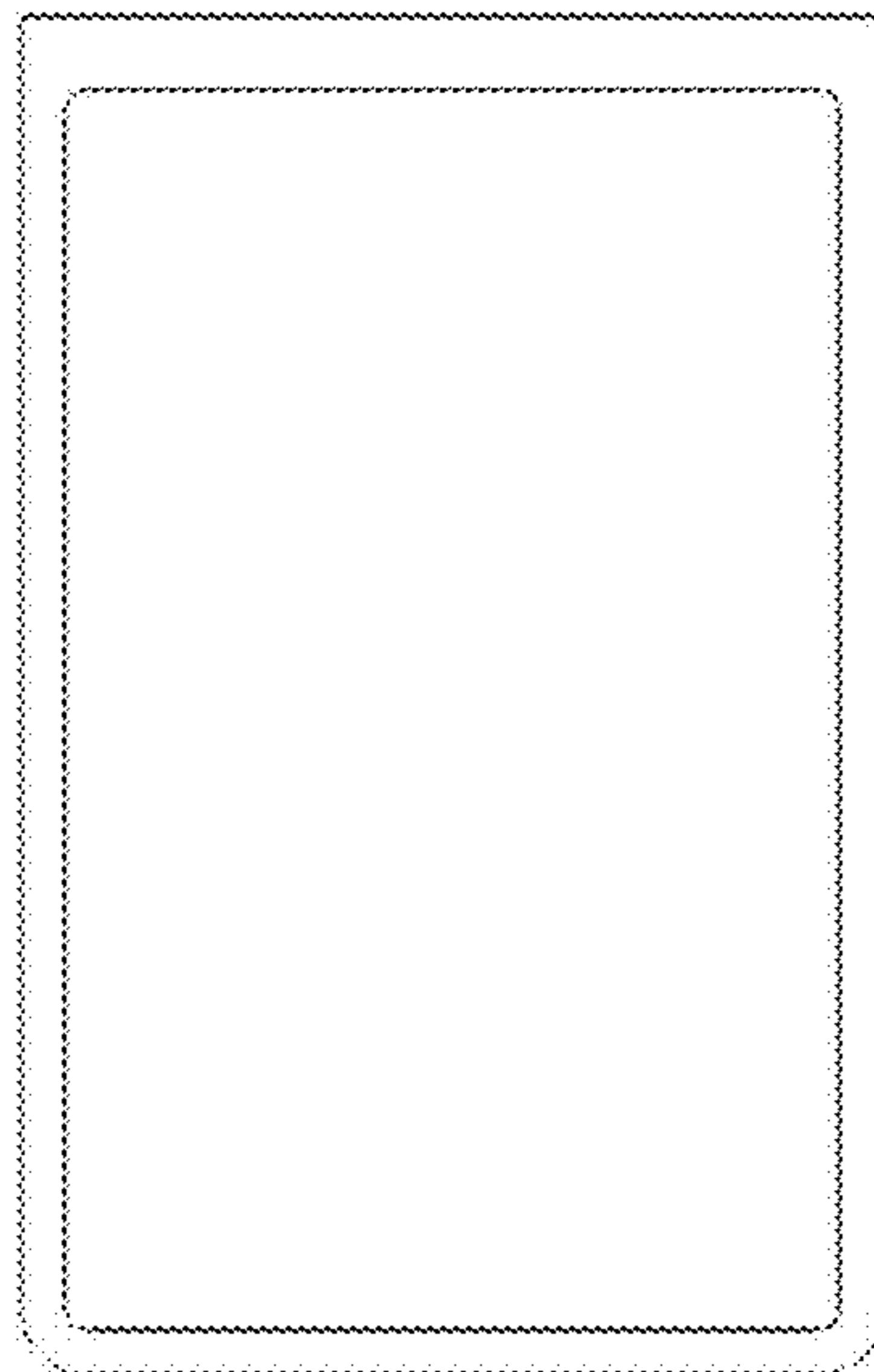
State Intellectual Property Office of the People's Republic of China, Office Action and Search Report Issued in Application No. 201830294472.1, Sep. 17, 2018, 2 pages,(Submitted with English Translation).

The International Design System, Office Action Issued in registration No. DM/200780, Mar. 8, 2019, 3 pages.

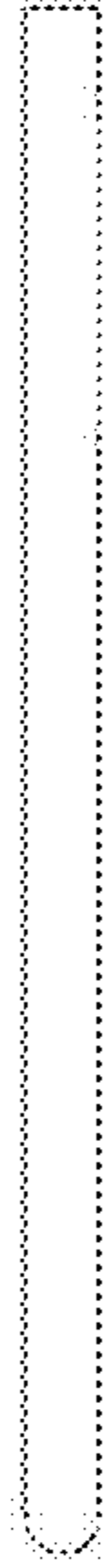
* cited by examiner



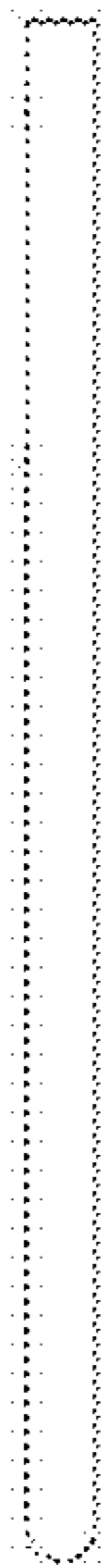
1.1



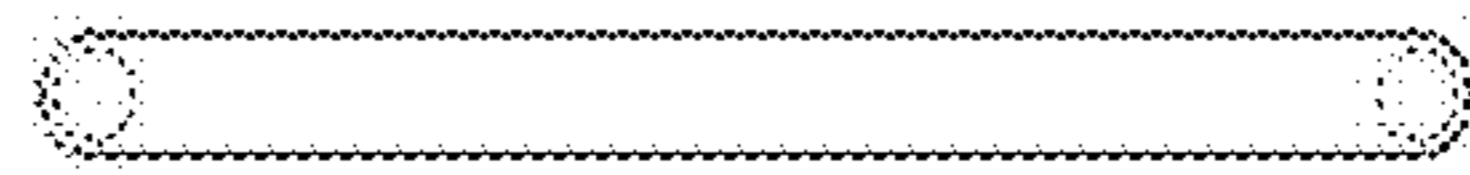
1.2



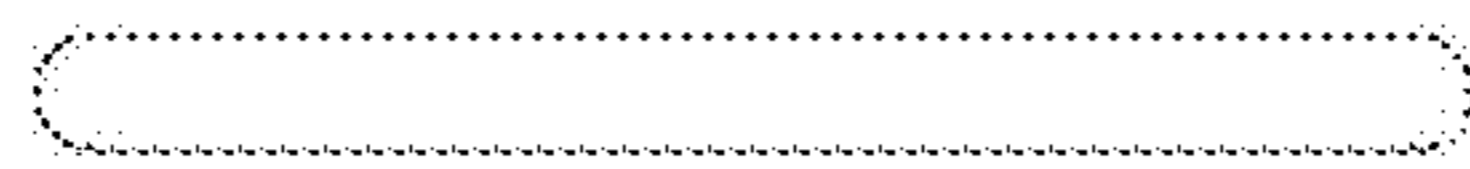
1.3



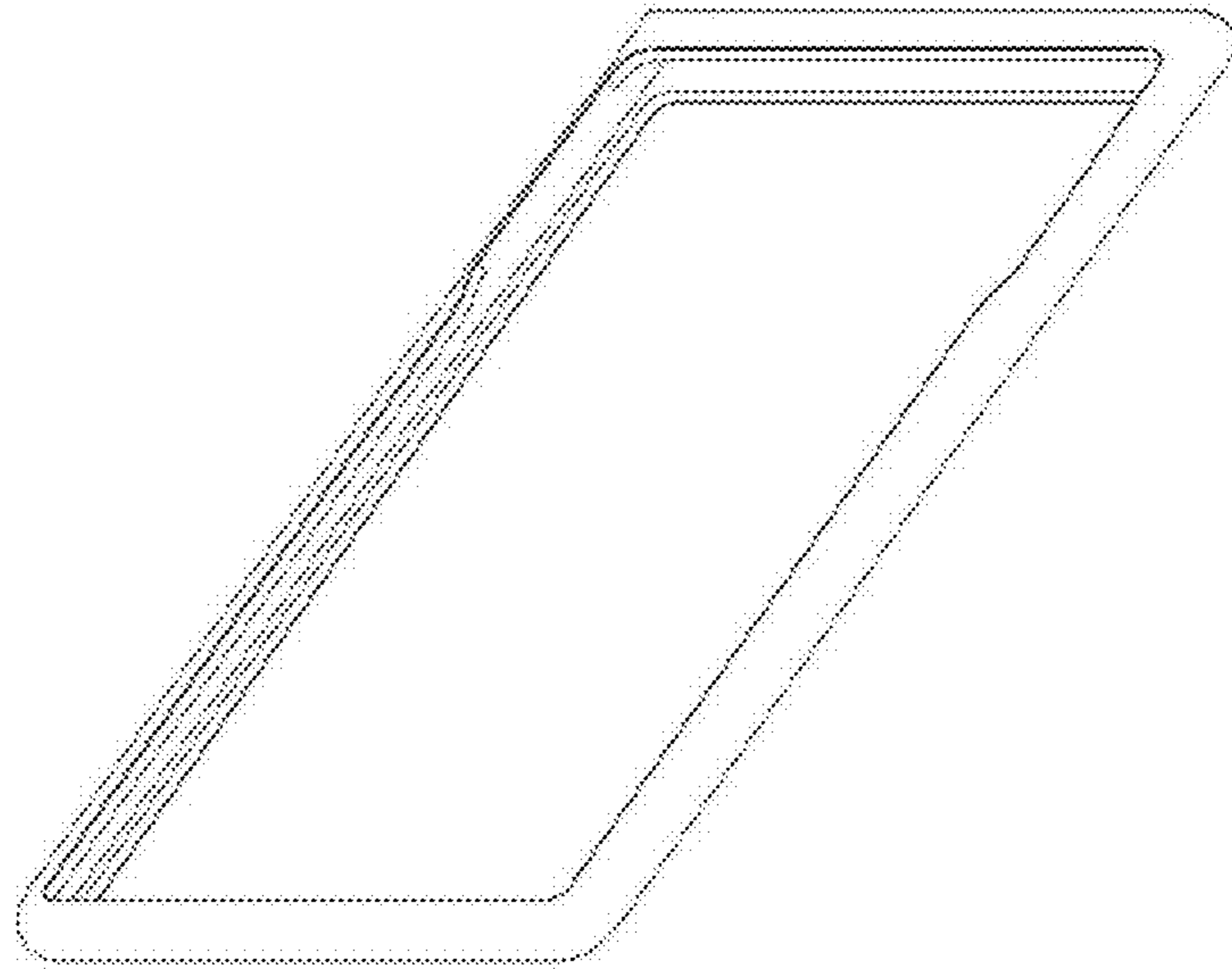
1.4



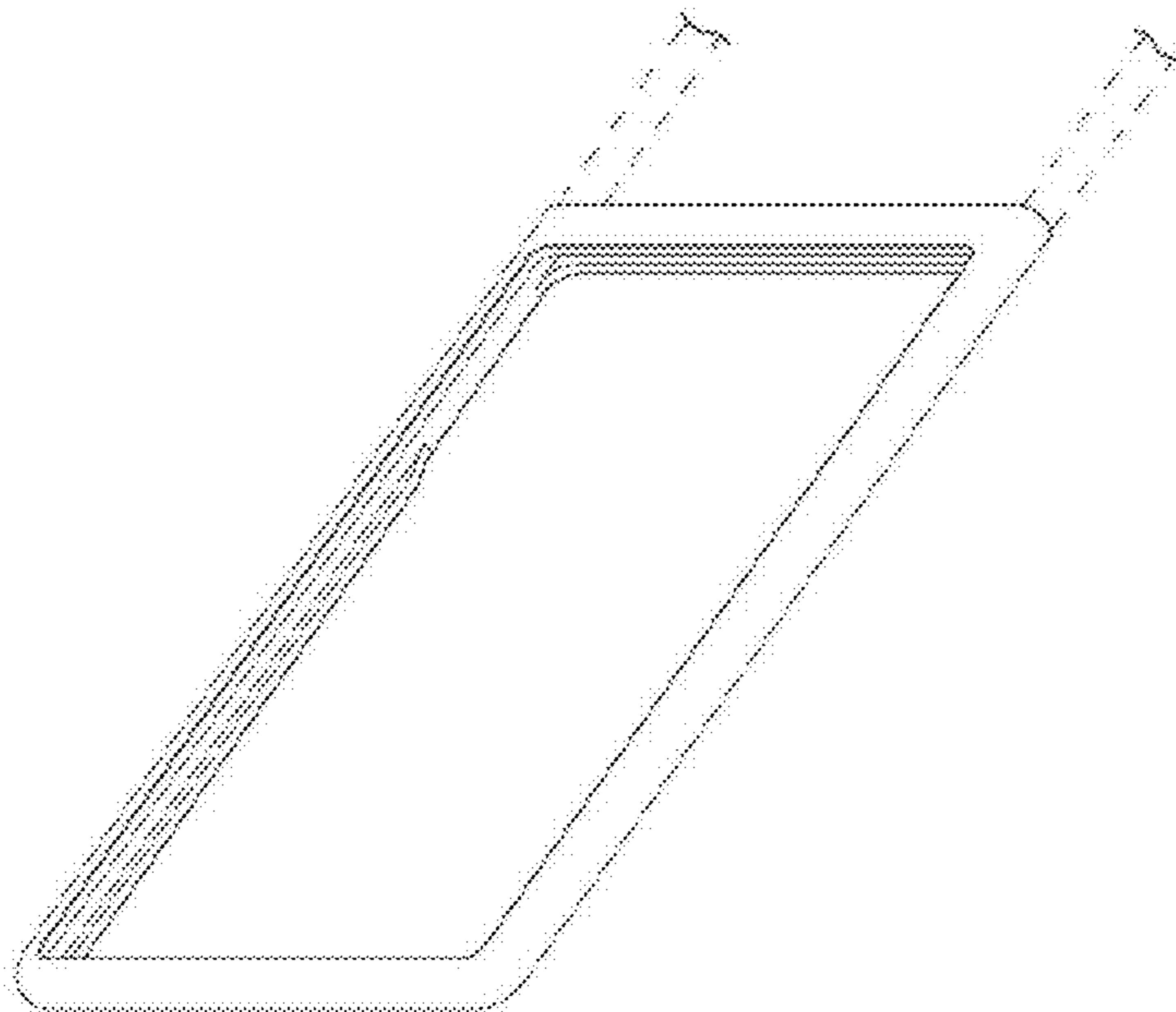
1.5



1.6



1.7



1.8