



US00D909749S

(12) **United States Design Patent**
Lemus

(10) **Patent No.:** **US D909,749 S**

(45) **Date of Patent:** **** *Feb. 9, 2021**

- (54) **BACKPACK**
- (71) Applicant: **Daniel Lemus**, Hereford, TX (US)
- (72) Inventor: **Daniel Lemus**, Hereford, TX (US)
- (*) Notice: This patent is subject to a terminal disclaimer.
- (**) Term: **15 Years**
- (21) Appl. No.: **29/710,417**
- (22) Filed: **Oct. 23, 2019**

8,997,262	B2 *	4/2015	Klein	F41H 1/02	2/94
D737,568	S	9/2015	Robert			
9,185,952	B1	11/2015	Turney et al.			
9,186,538	B1	11/2015	Seen et al.			
D748,908	S	2/2016	Kuo et al.			
D774,750	S	12/2016	Stark			
D797,868	S *	9/2017	Thomas	D21/683	
D807,026	S *	1/2018	Lawhorn	D3/216	
9,931,531	B2 *	4/2018	Robinson	A63B 21/4007	
9,931,537	B2 *	4/2018	Huebner	F16B 7/105	
D821,510	S *	6/2018	Buikema	A63B 21/0004	
					D21/683	
10,299,570	B2 *	5/2019	Kim	A45F 3/04	
10,383,427	B1 *	8/2019	Walker	A45F 3/10	
2006/0229173	A1	10/2006	Foley			
2010/0032464	A1	2/2010	Gleason, Jr.			
2012/0028768	A1	2/2012	McClellan Fortner			
2012/0151656	A1	6/2012	Irwin			

Related U.S. Application Data

- (63) Continuation-in-part of application No. 29/556,130, filed on Feb. 26, 2016, now abandoned.
- (51) **LOC (13) Cl.** **03-01**
- (52) **U.S. Cl.**
USPC **D3/217; D21/683**
- (58) **Field of Classification Search**
USPC D3/216-217; D21/683
CPC .. A45C 3/08; A45C 3/06; A45C 13/08; A45C 13/02; A45C 7/0086; A45C 3/00; A45C 13/26; A45F 3/04; A45F 3/02
See application file for complete search history.

* cited by examiner

Primary Examiner — Jennifer L Watkins

(74) *Attorney, Agent, or Firm* — Daniel J. Chalker; Edwin S. Flores; Chalker Flores, LLP

(57) **CLAIM**

The ornamental design for backpack, as shown and described.

DESCRIPTION

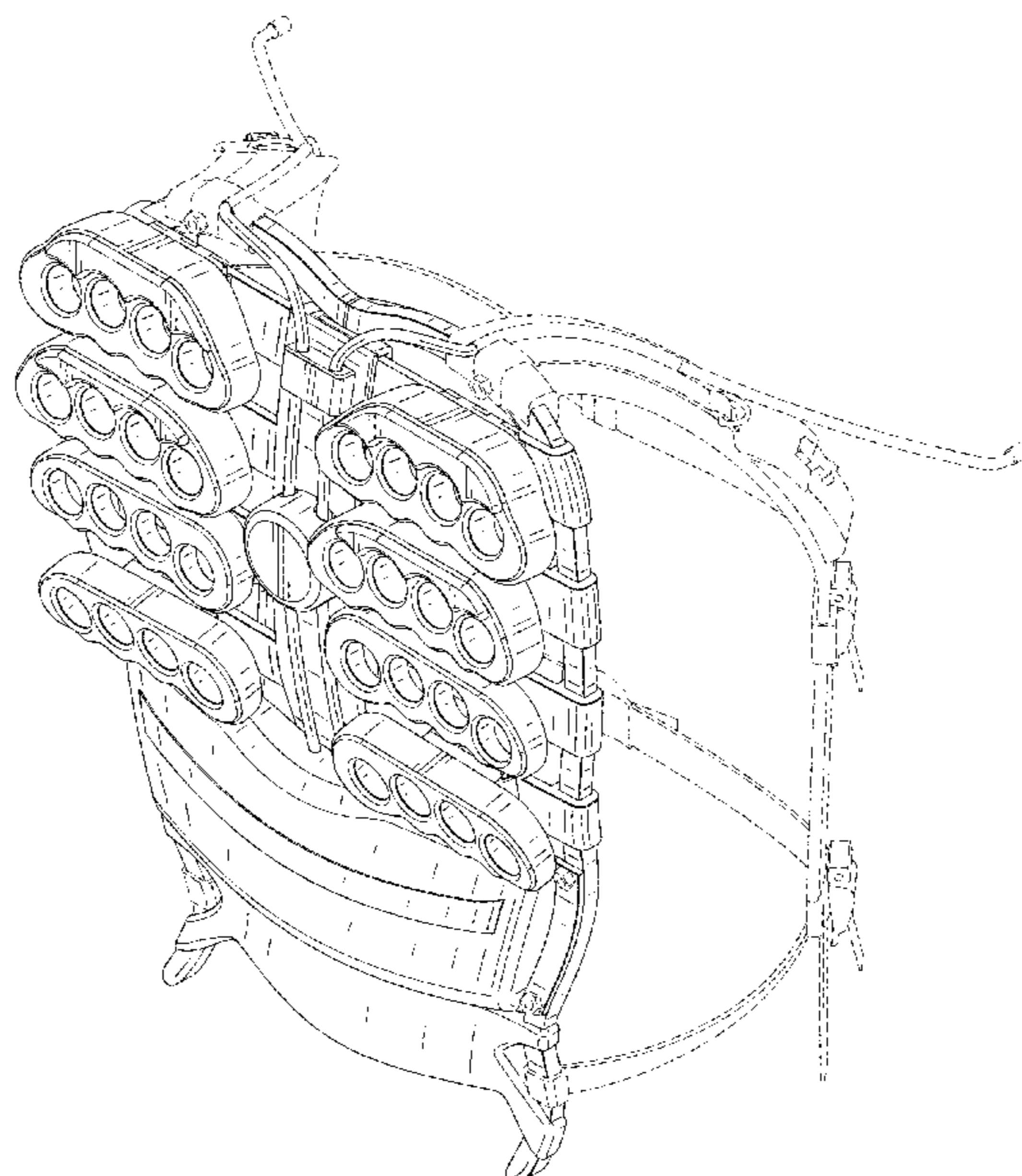
FIG. 1 is a perspective view of a backpack;
 FIG. 2 is a front elevational view thereof;
 FIG. 3 is a rear elevational view thereof;
 FIG. 4 is a right side elevational view thereof;
 FIG. 5 is a left side elevational view thereof;
 FIG. 6 is a top plan view thereof; and,
 FIG. 7 is a bottom plan view thereof.
 The broken lines are for the purpose of depicting portions of a backpack and form no part of the claim.

1 Claim, 5 Drawing Sheets

(56) **References Cited**

U.S. PATENT DOCUMENTS

4,332,379	A	6/1982	Bannister			
4,944,509	A	7/1990	Sniker			
4,948,122	A	8/1990	Andrews, Sr.			
5,167,600	A *	12/1992	Baird	A63B 21/065	
					482/100	
D406,942	S *	3/1999	Santoro	D3/216	
D409,375	S	5/1999	Santoro			
6,216,926	B1	4/2001	Pratt			
D568,952	S	5/2008	Foley			
D603,157	S *	11/2009	Hutchinson	D3/217	



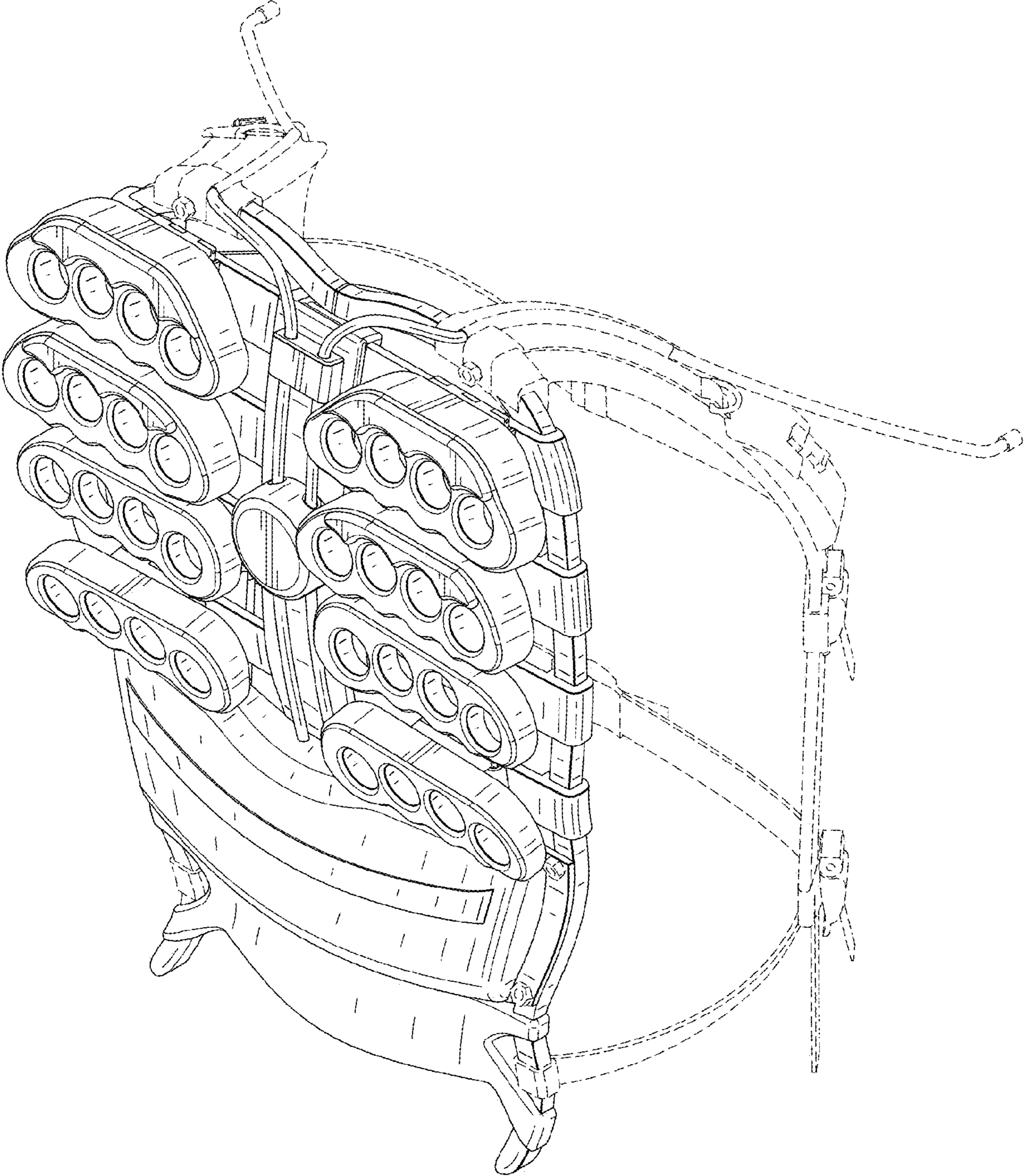


FIG. 1

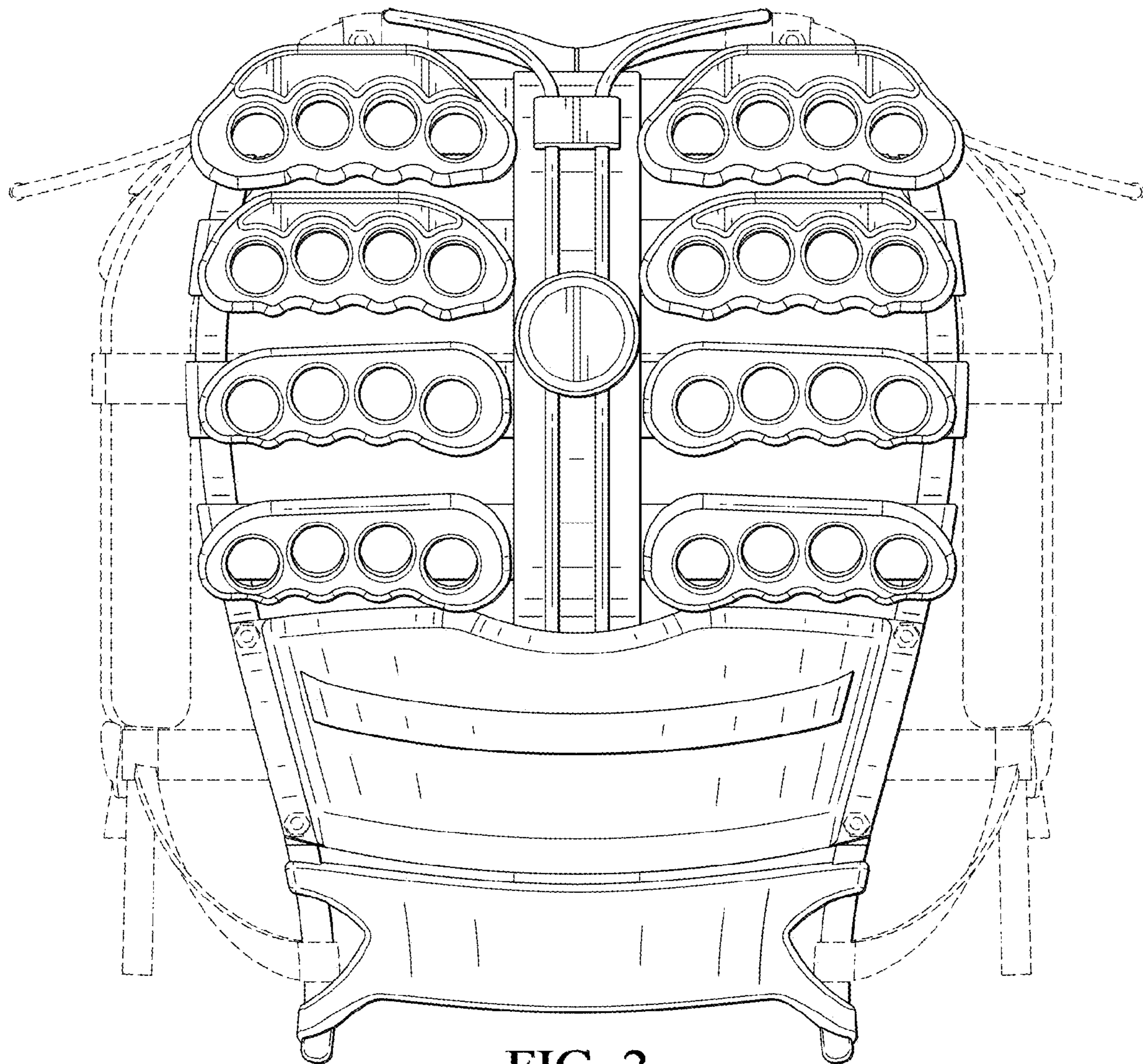


FIG. 2

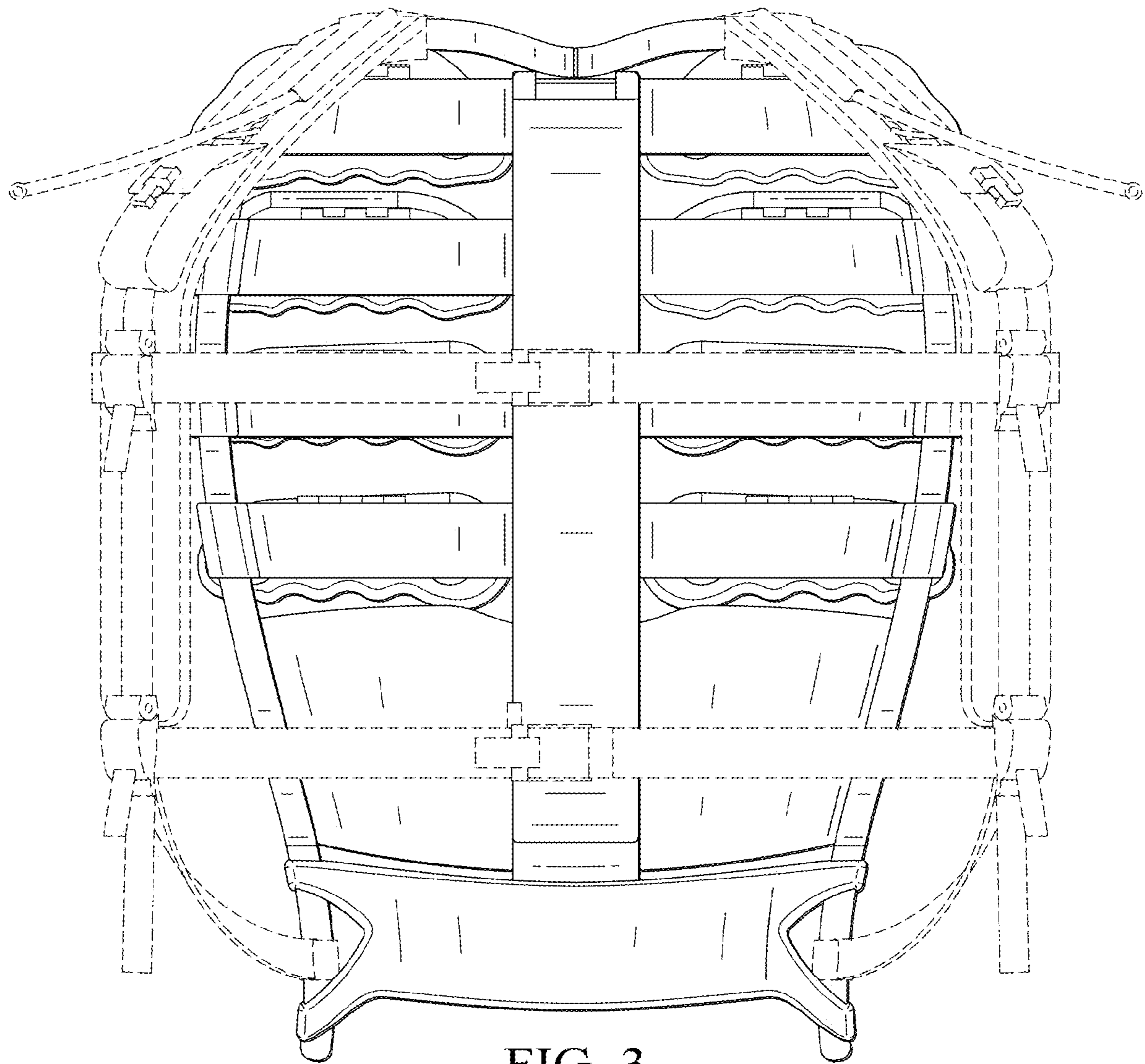


FIG. 3

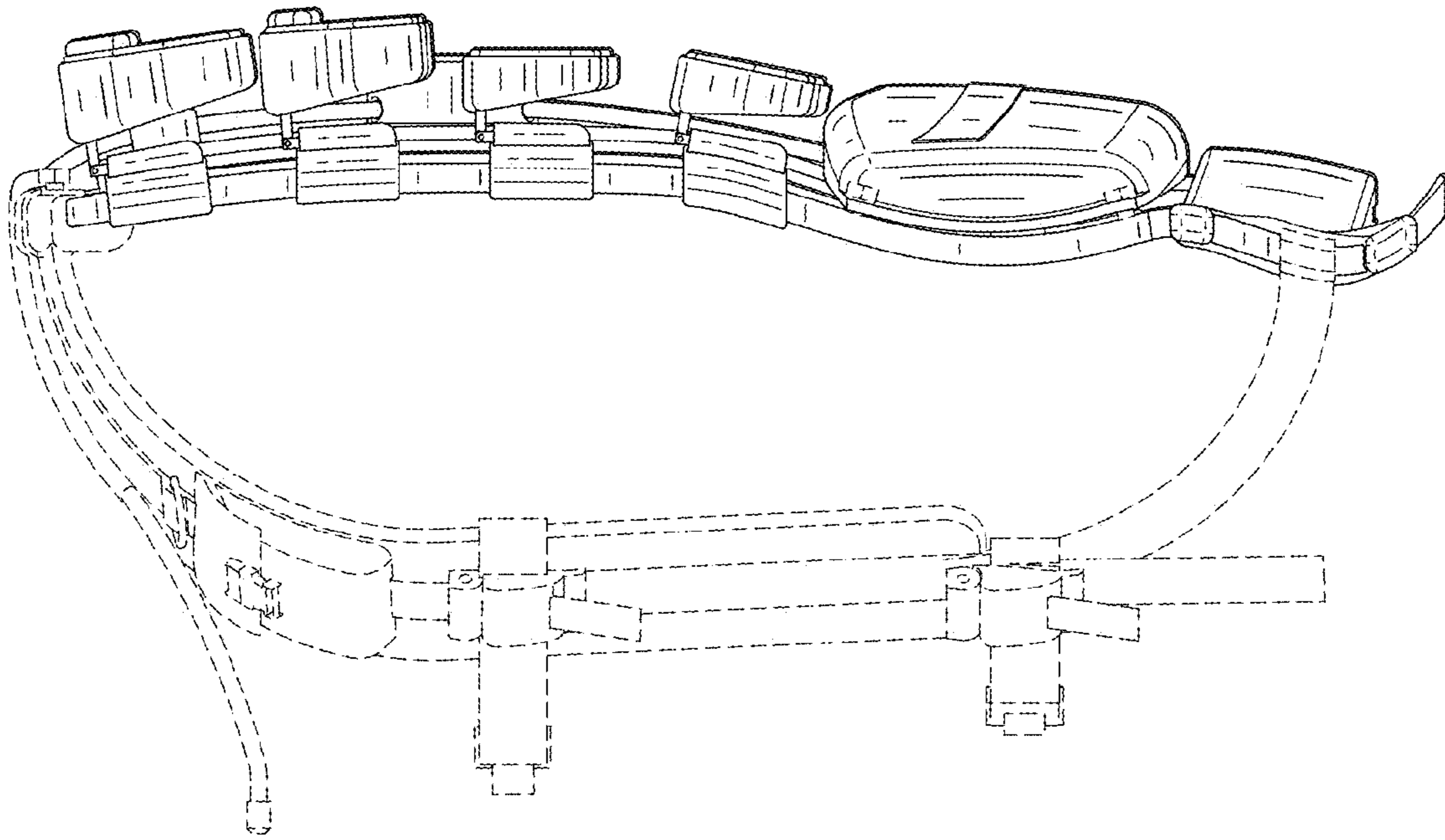


FIG. 5

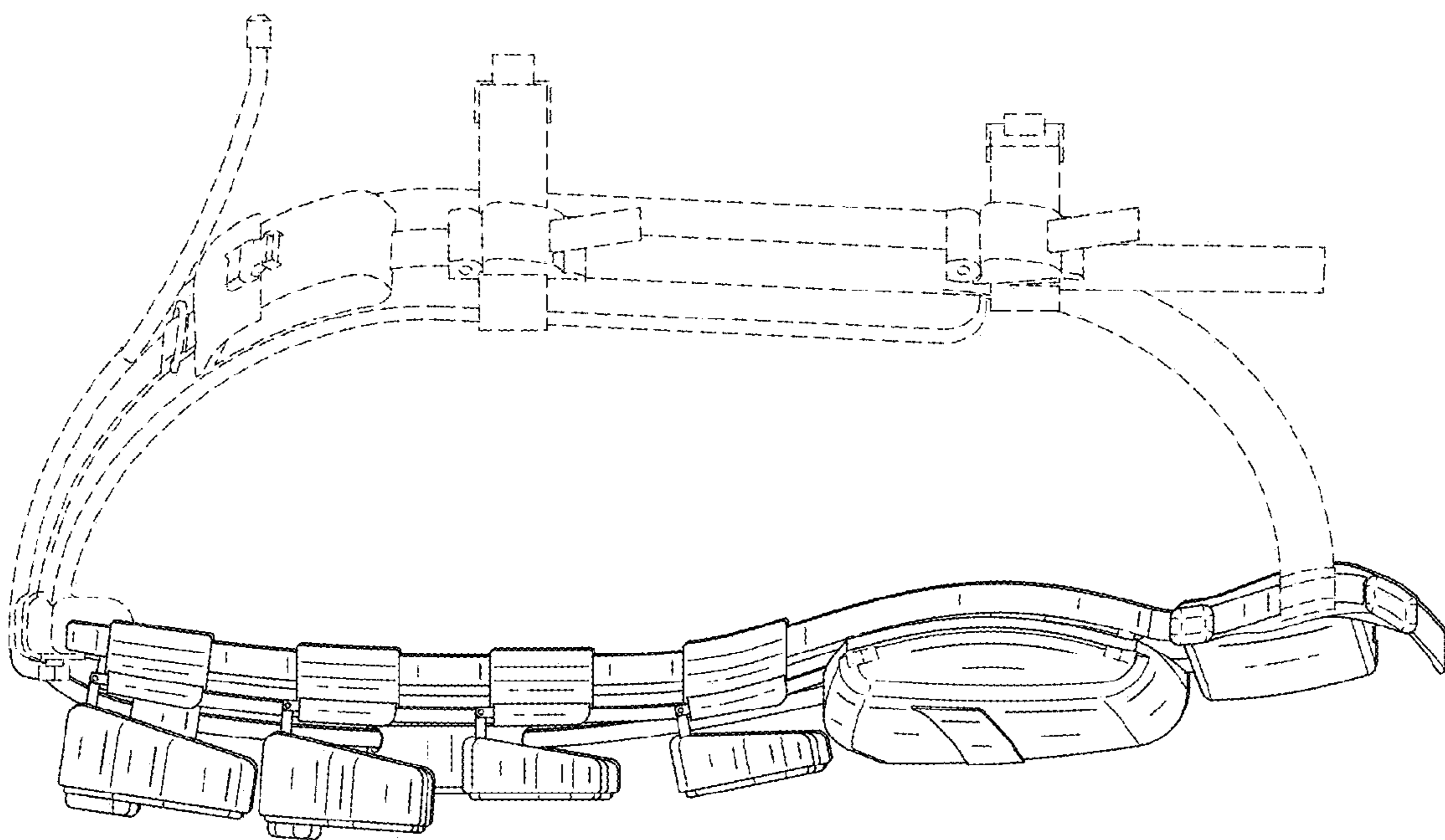


FIG. 4

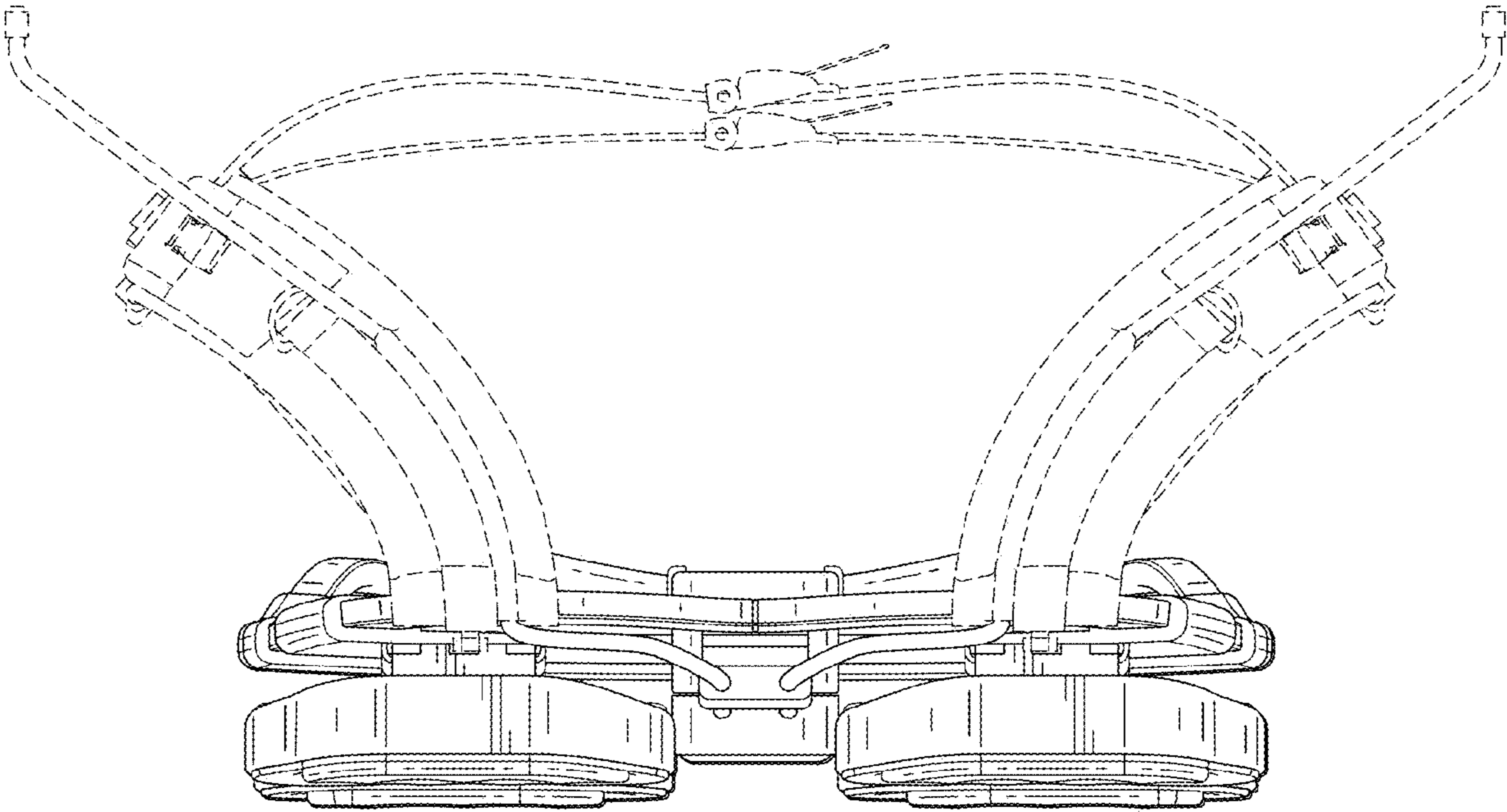


FIG. 6

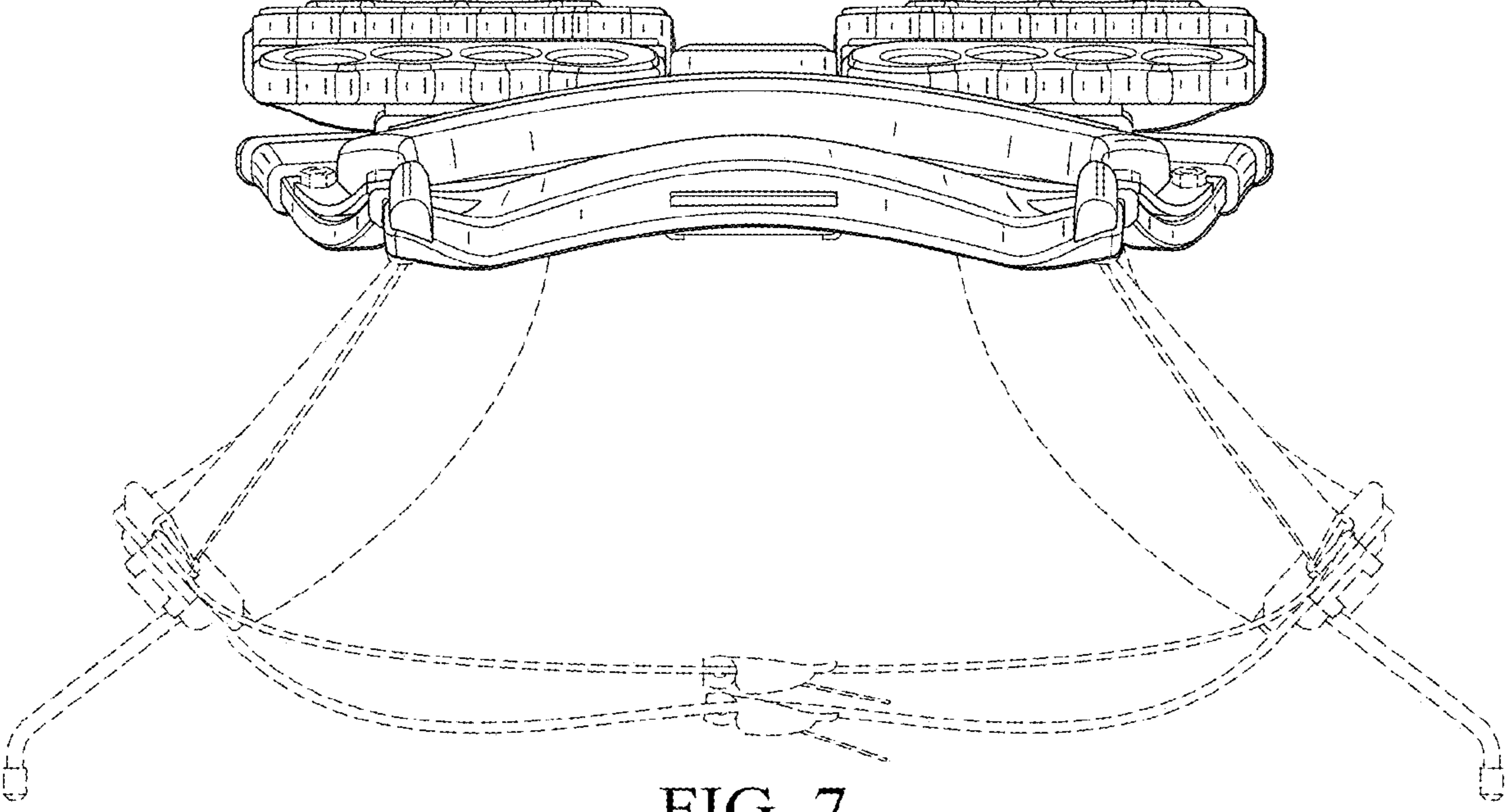


FIG. 7