



US00D909747S

(12) **United States Design Patent**  
**Kim**

(10) **Patent No.:** **US D909,747 S**

(45) **Date of Patent:** **\*\* \*Feb. 9, 2021**

(54) **ELECTRONIC KEY HOLDER**

(71) Applicant: **Bum Soo Kim**, Namyangju-si (KR)

(72) Inventor: **Bum Soo Kim**, Namyangju-si (KR)

(\*) Notice: This patent is subject to a terminal disclaimer.

(\*\*) Term: **15 Years**

(21) Appl. No.: **29/667,320**

(22) Filed: **Oct. 19, 2018**

(30) **Foreign Application Priority Data**

Apr. 23, 2018 (KR) ..... 30-2018-0019022

(51) **LOC (13) Cl.** ..... **03-01**

(52) **U.S. Cl.**  
USPC ..... **D3/212**

(58) **Field of Classification Search**  
USPC ..... D3/207, 208, 209, 210, 211, 212  
CPC .. A44B 15/00; Y10T 70/8676; Y10T 24/1379  
See application file for complete search history.

(56) **References Cited**

**U.S. PATENT DOCUMENTS**

D266,199 S \* 9/1982 Schattner ..... D99/28  
D297,195 S \* 8/1988 Warwicker ..... D6/559  
D380,199 S \* 6/1997 Beruscha ..... D10/75

D513,240 S \* 12/2005 Uehara ..... D14/125  
D531,142 S \* 10/2006 Yang ..... D14/125  
D558,158 S \* 12/2007 Ding ..... D14/125  
D709,054 S \* 7/2014 McConnell ..... D14/243

\* cited by examiner

*Primary Examiner* — Kevin K Rudzinski

*Assistant Examiner* — Amber J Rabie

(74) *Attorney, Agent, or Firm* — Novick, Kim & Lee, PLLC; Sang Ho Lee; Hyun Woo Shin

(57) **CLAIM**

I claim the ornamental design for an electronic key holder, as shown and described.

**DESCRIPTION**

FIG. 1 is a perspective view of an electronic key holder, showing my new design;

FIG. 2 is a front elevational view thereof;

FIG. 3 is a rear elevational view thereof;

FIG. 4 is a left side elevational view thereof;

FIG. 5 is a right side elevational view thereof;

FIG. 6 is a top plan view thereof;

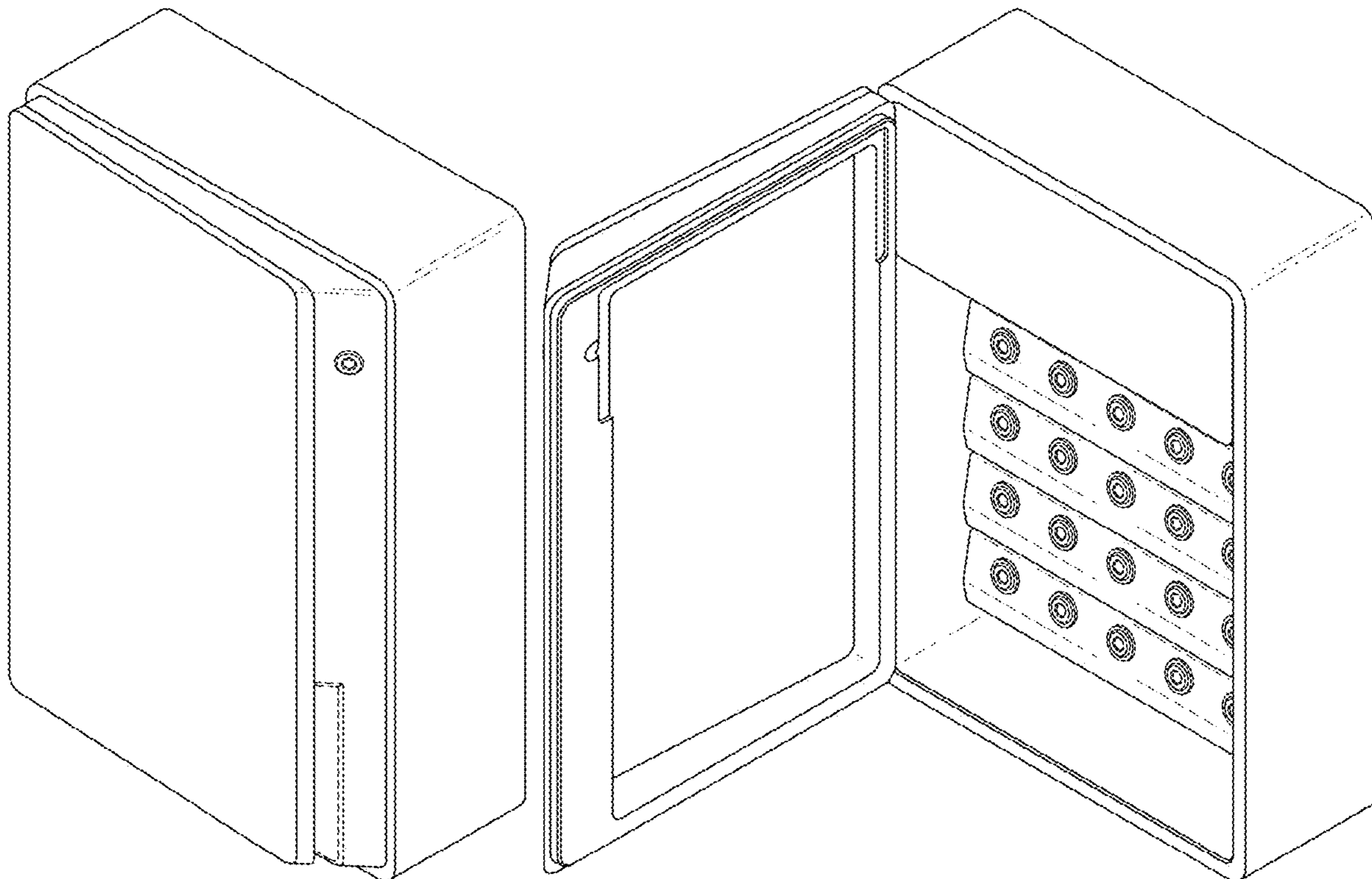
FIG. 7 is a bottom plan view thereof;

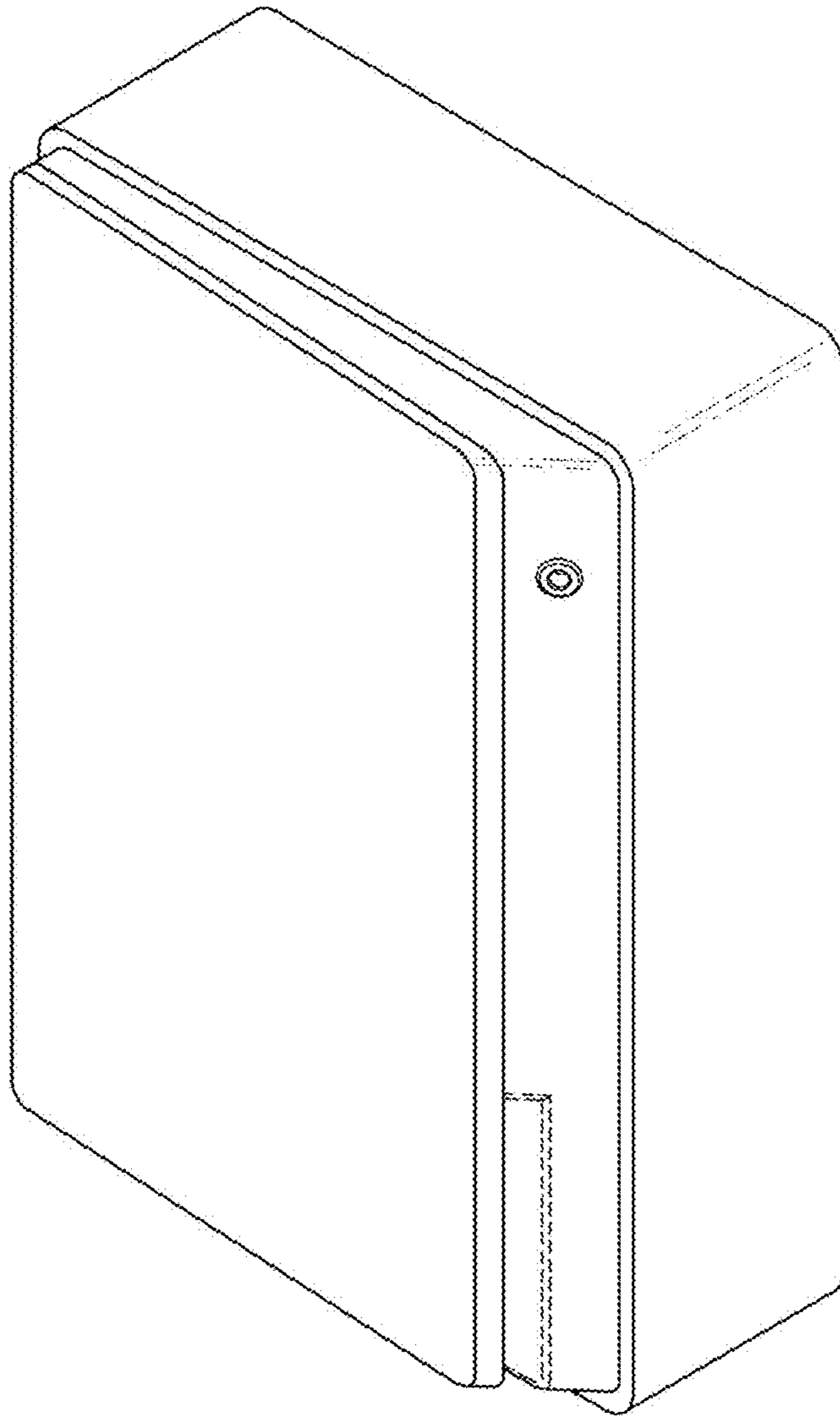
FIG. 8 is a perspective view thereof showing a configuration of use wherein the front cover of the electronic key holder is in an open position; and,

FIG. 9 is a front elevational view of FIG. 8.

The broken lines shown in the drawings show portions of the electronic key holder that form no part of the claimed design.

**1 Claim, 8 Drawing Sheets**





**FIG. 1**

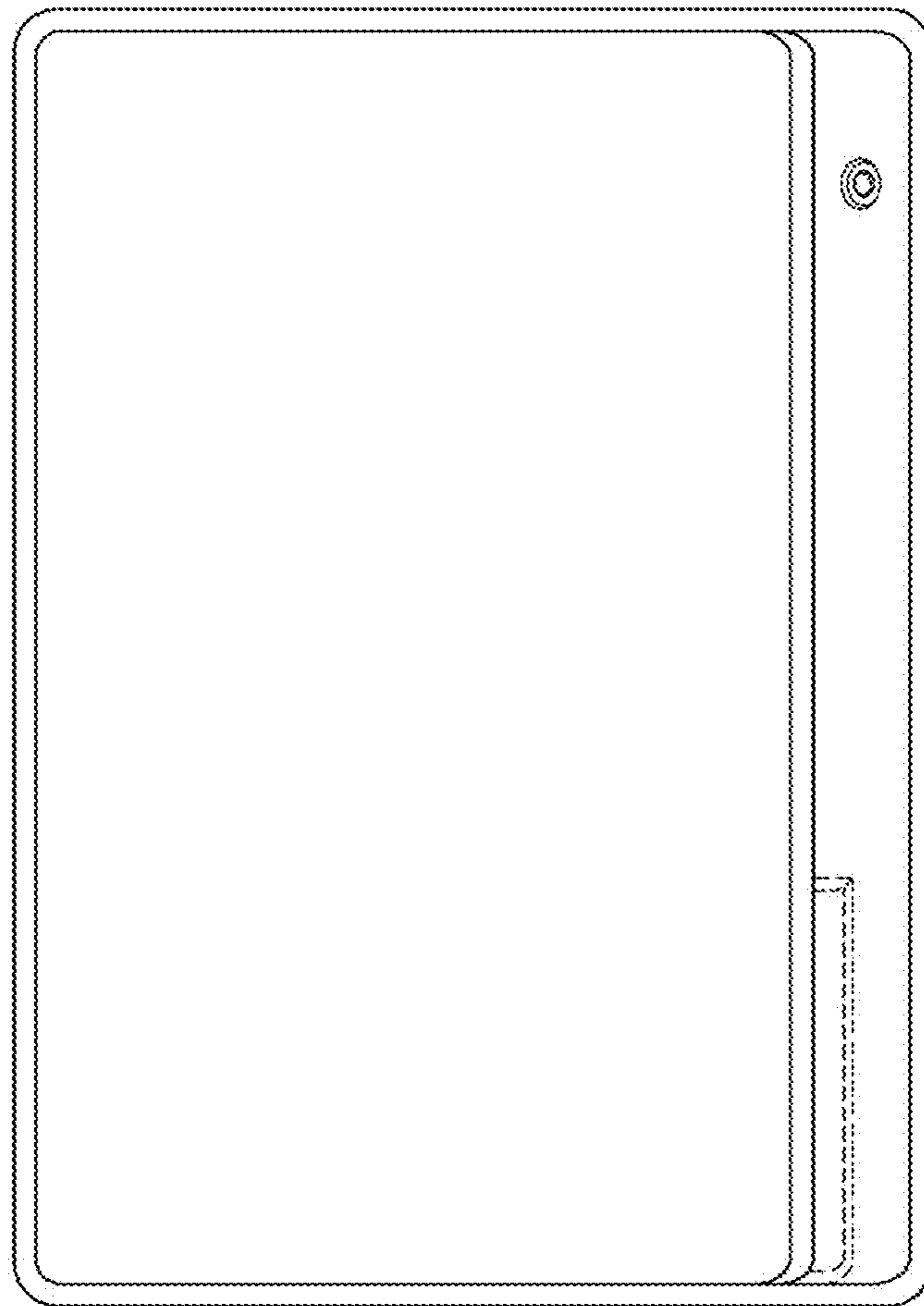


FIG. 2

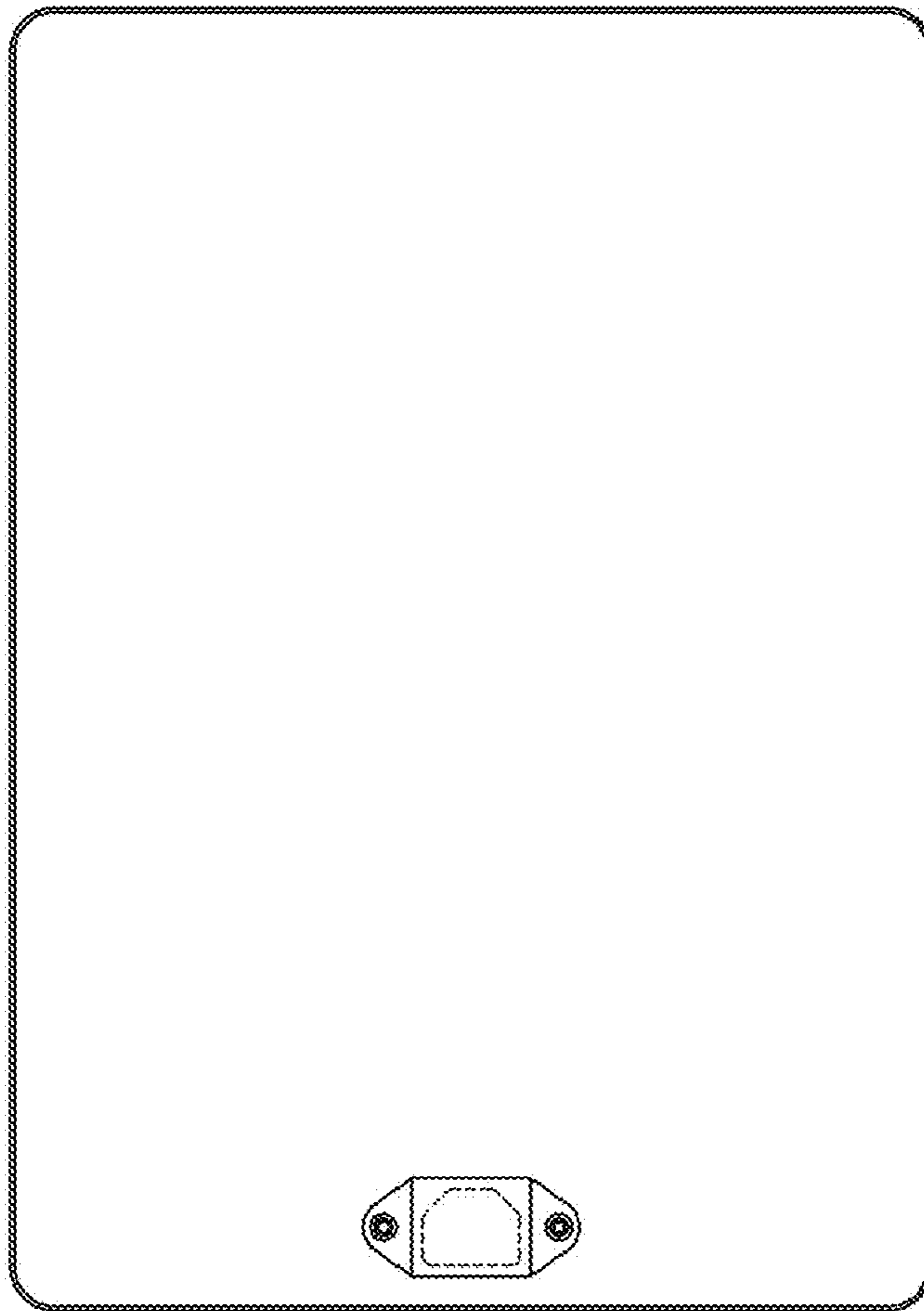


FIG. 3

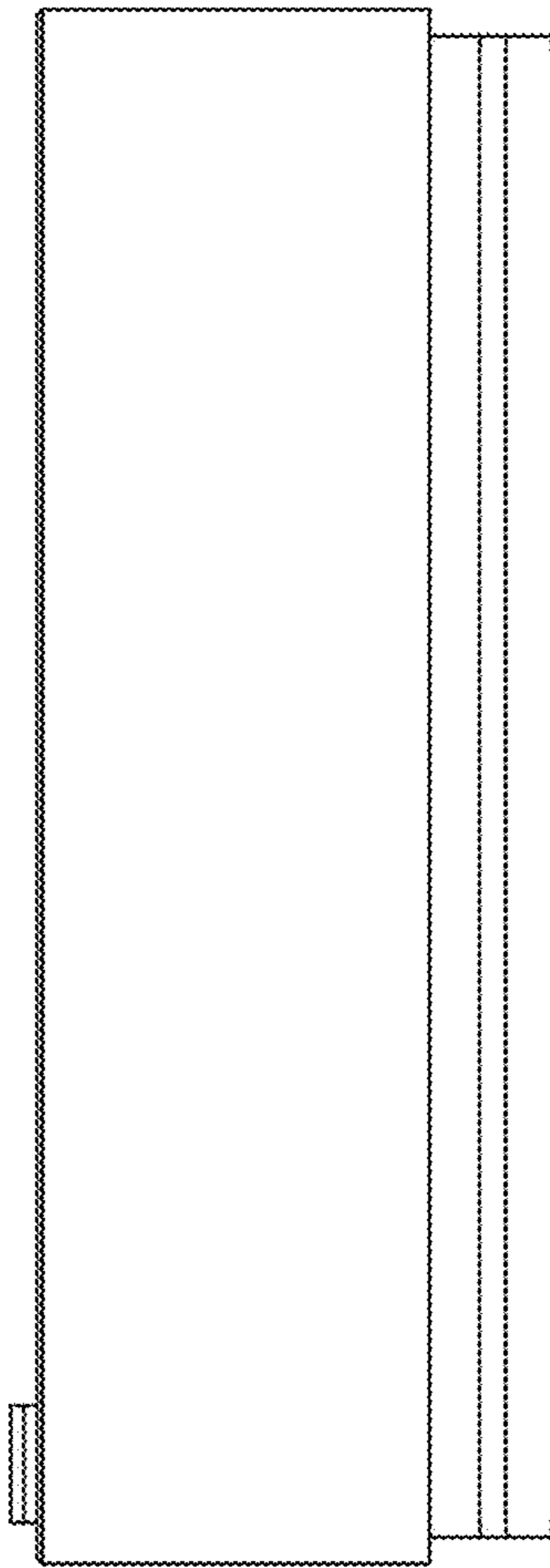


FIG. 4

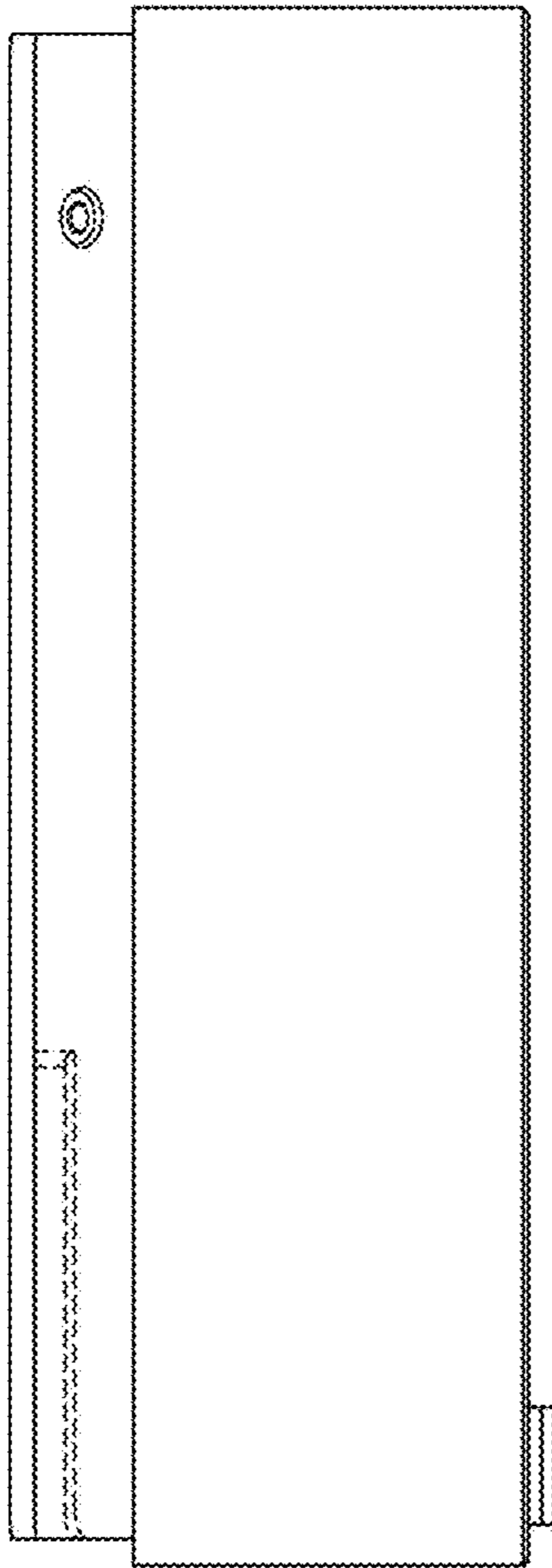


FIG. 5

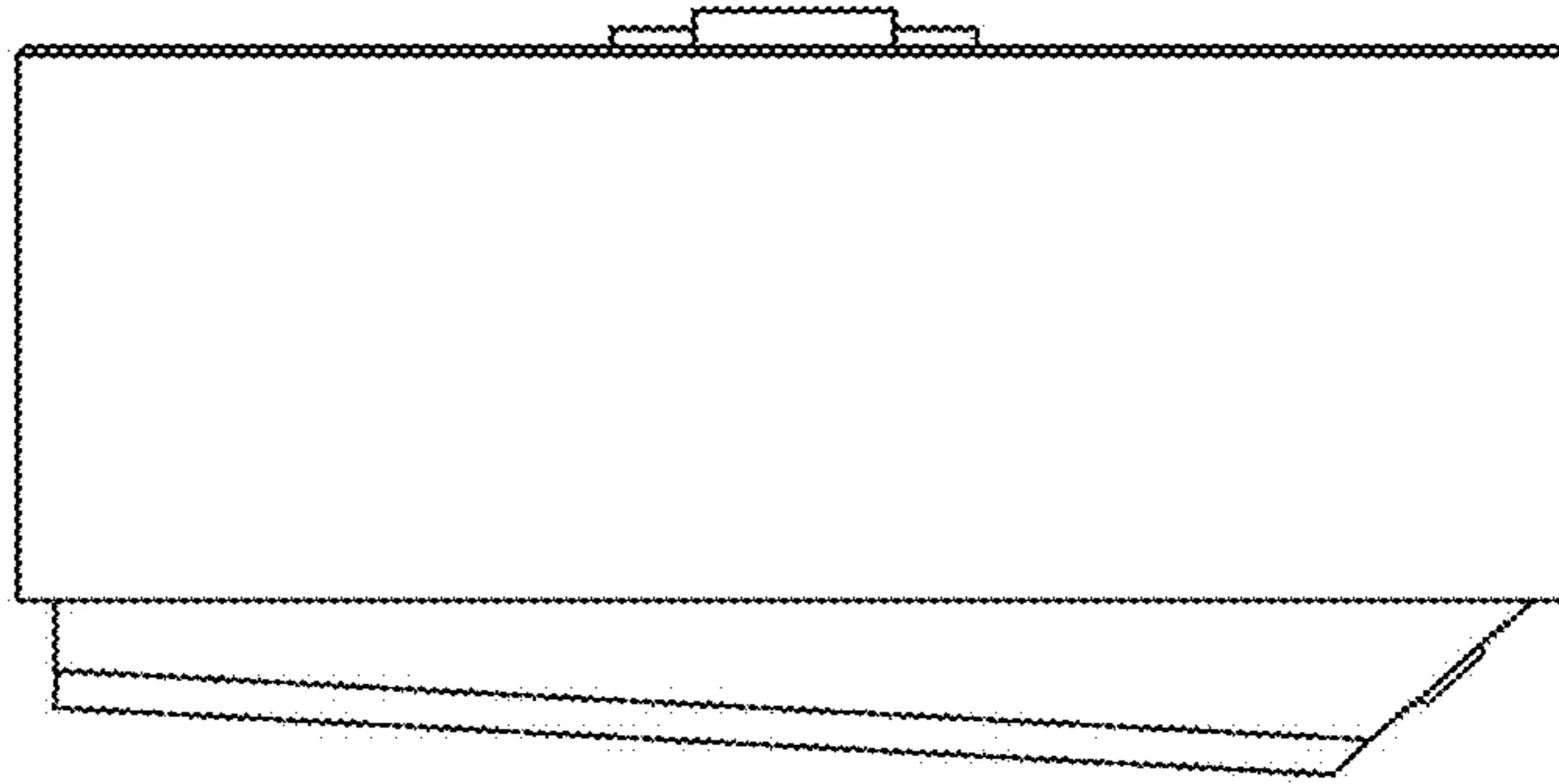


FIG. 6

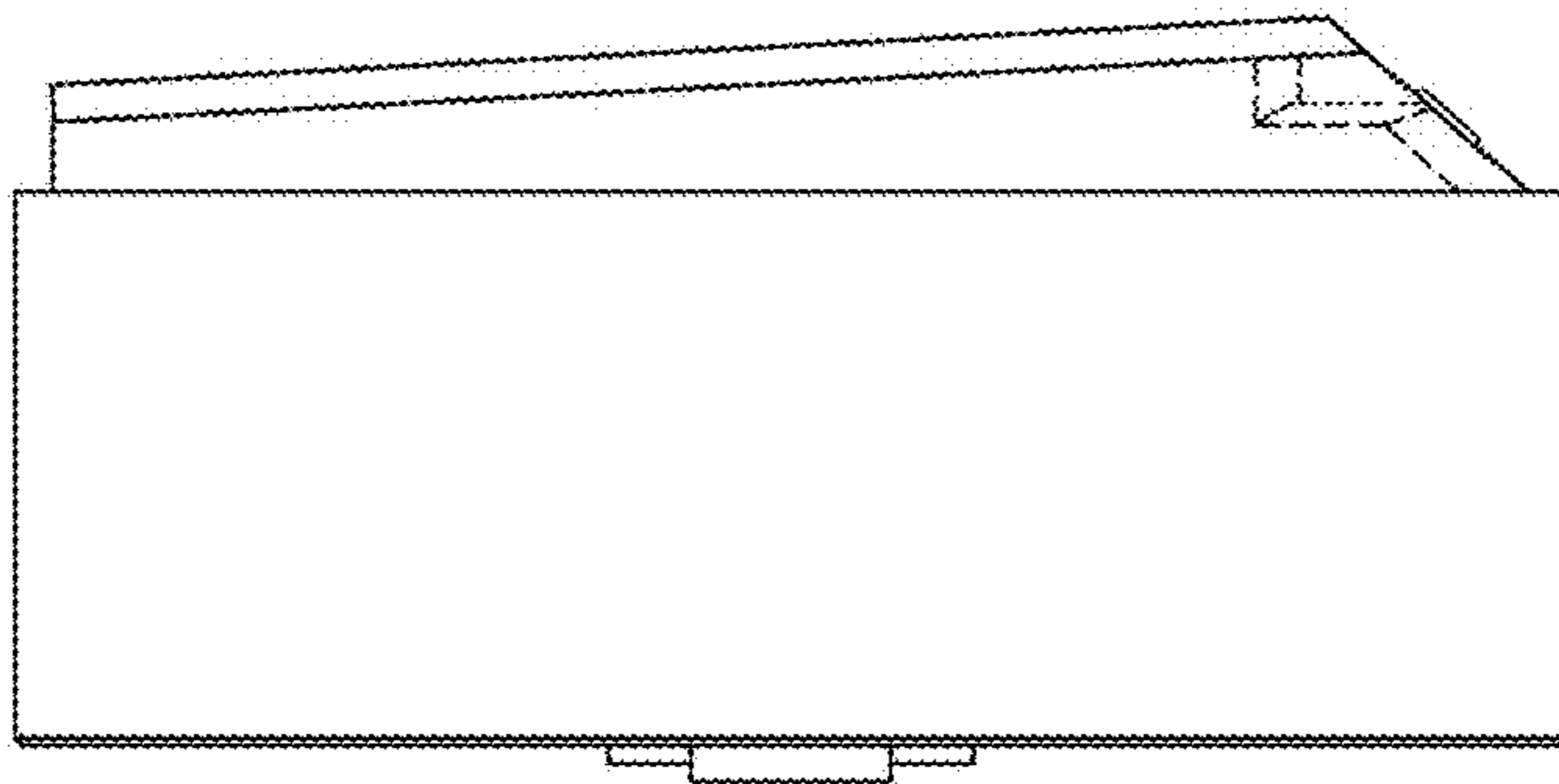


FIG. 7

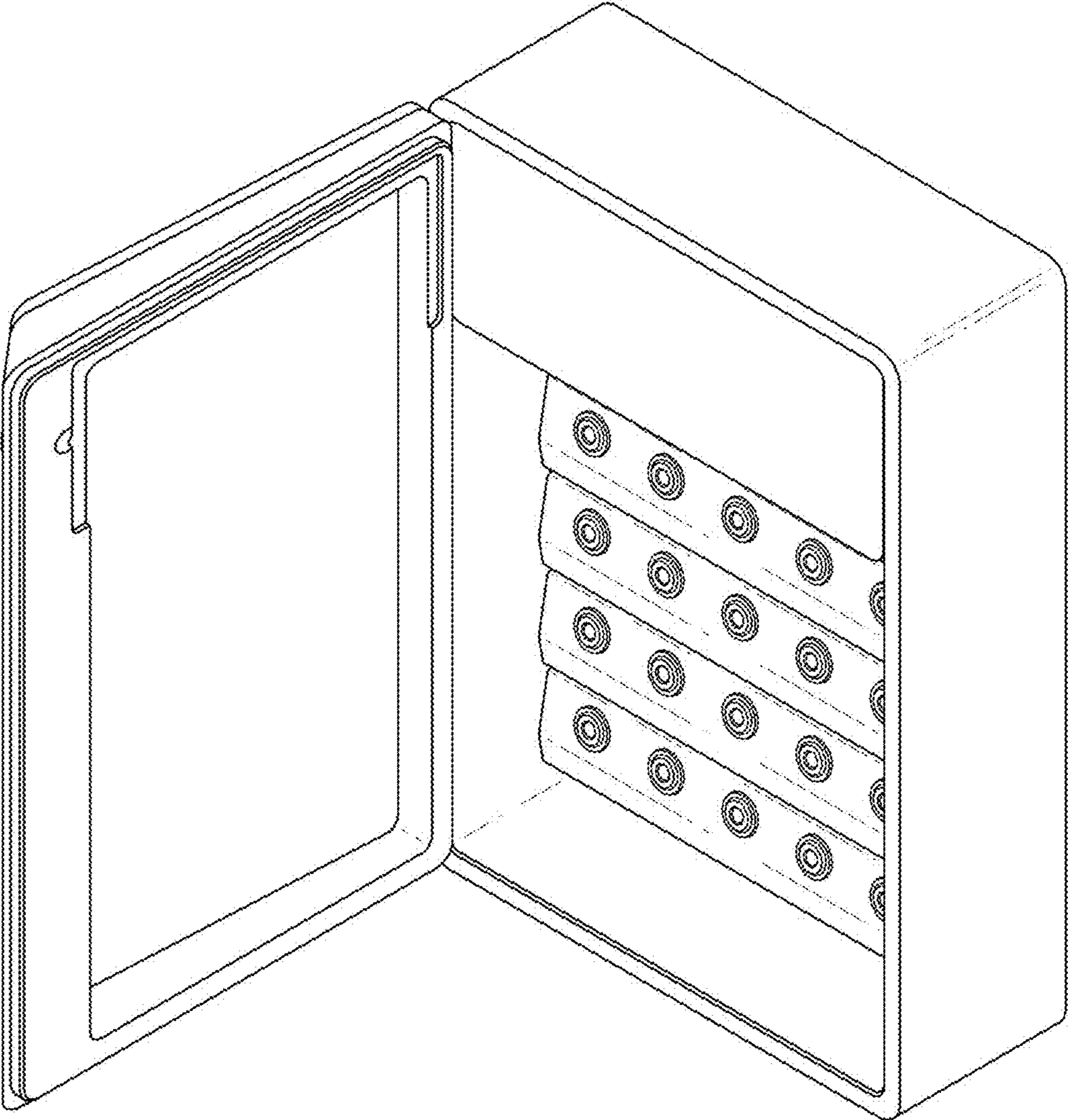


FIG. 8



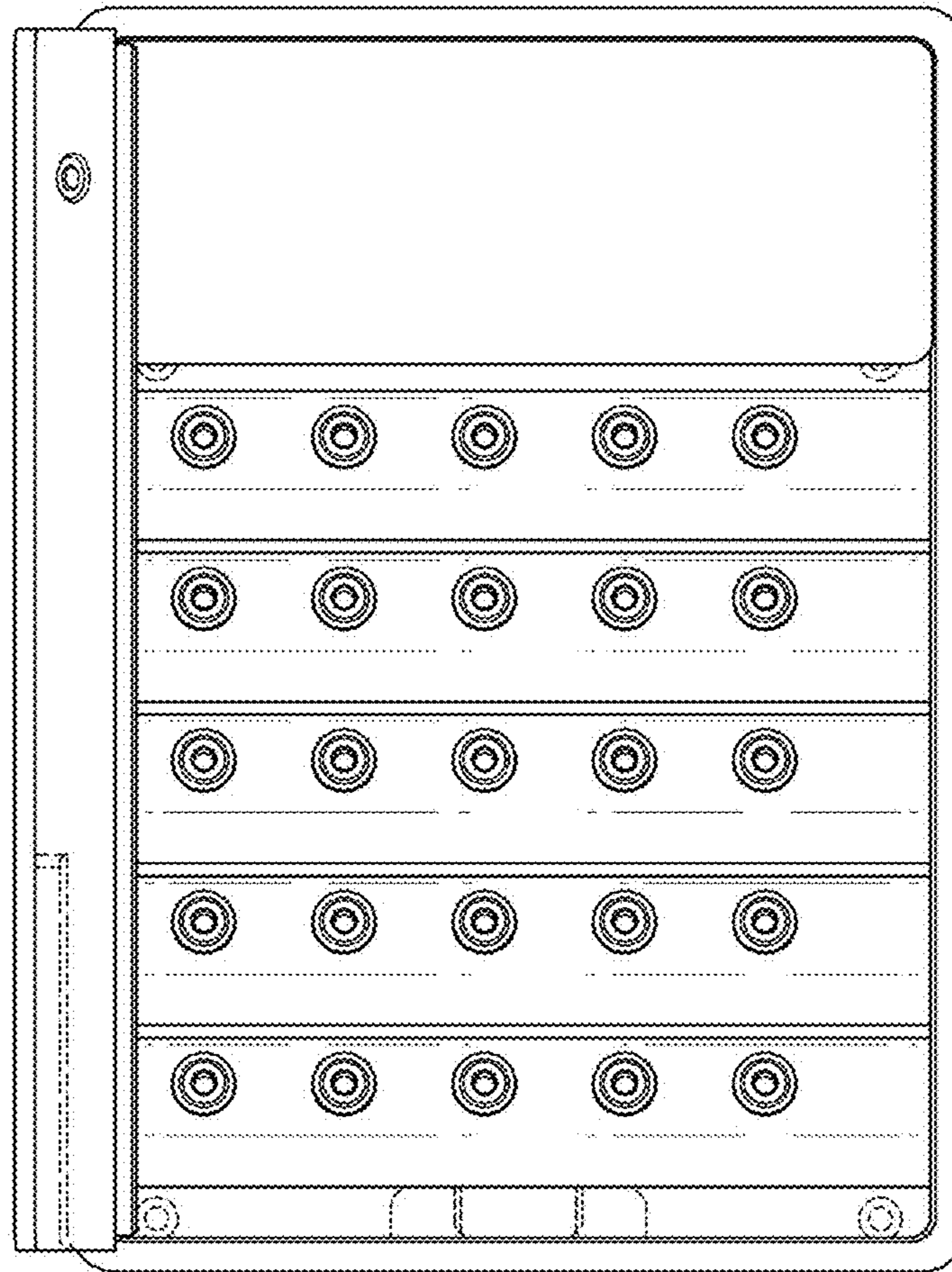


FIG. 9