



US00D909742S

(12) **United States Design Patent**
Doherty

(10) **Patent No.:** **US D909,742 S**

(45) **Date of Patent:** **** Feb. 9, 2021**

- (54) **CANE**
- (71) Applicant: **David Scott Doherty**, Peterborough, NH (US)
- (72) Inventor: **David Scott Doherty**, Peterborough, NH (US)
- (**) Term: **15 Years**
- (21) Appl. No.: **29/703,601**
- (22) Filed: **Aug. 28, 2019**
- (51) **LOC (13) Cl.** **03-03**
- (52) **U.S. Cl.**
USPC **D3/7**
- (58) **Field of Classification Search**
USPC D3/5, 6, 7, 8, 9, 10, 12
CPC A45B 1/00; A45B 1/04; A45B 3/00; A45B 7/00; A45B 7/005; A45B 9/00; A45B 9/02; A45B 2009/002; A45B 2009/005
See application file for complete search history.

D693,565 S *	11/2013	Chan	D3/7
8,695,617 B2 *	4/2014	Diamond	A45B 3/02 135/72
9,386,830 B2 *	7/2016	Crowhurst	A45B 9/00
D817,630 S *	5/2018	Baltz	D3/10
10,016,032 B1 *	7/2018	Menn	A45B 9/02
D831,329 S *	10/2018	Barahona	D3/10
10,105,278 B2 *	10/2018	Bernhardt	A45B 3/00
10,188,183 B1 *	1/2019	Swerdlow	A61H 3/00
D877,485 S *	3/2020	Rampersaud	D3/10
10,583,064 B1 *	3/2020	Chang	A61H 3/00
D882,241 S *	4/2020	Smith Swerdlow	A61H 3/0288 D3/7
10,631,600 B2 *	4/2020	Moyo	A45B 9/02

* cited by examiner

Primary Examiner — Steven J Czyz

(74) *Attorney, Agent, or Firm* — Dunlap Bennett & Ludwig, PLLC

(57) **CLAIM**

The ornamental design for a cane, as shown and described.

DESCRIPTION

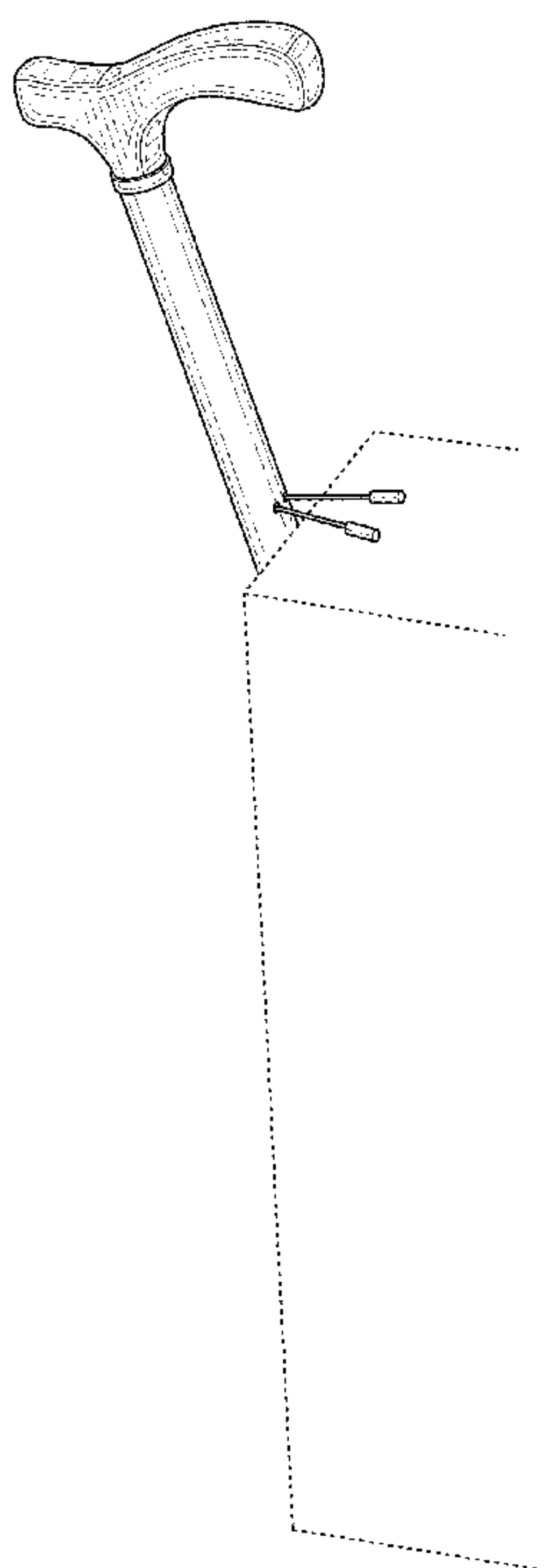
FIG. 1 is a perspective view of a cane, showing my new design in use;
 FIG. 2 is a right elevation view thereof;
 FIG. 3 is a left elevation view thereof;
 FIG. 4 is a front elevation view thereof;
 FIG. 5 is a rear elevation view thereof;
 FIG. 6 is a top plan view thereof; and,
 FIG. 7 is a bottom plan view thereof.
 The broken lines depict portions of the article and environment that form no part of the claimed design.

1 Claim, 5 Drawing Sheets

(56) **References Cited**

U.S. PATENT DOCUMENTS

D283,370 S *	4/1986	Hill	D3/7
D290,784 S *	7/1987	Moshiri	D3/7
5,582,196 A *	12/1996	Hae	A45B 3/00 135/65
D427,763 S *	7/2000	Kikuchi	D3/7
D555,892 S *	11/2007	Carroll	D3/6
7,422,188 B1 *	9/2008	Schlosser	A45B 1/04 224/407
8,439,056 B2 *	5/2013	Shyu	A45B 19/00 135/17
D690,927 S *	10/2013	Jones	D3/7



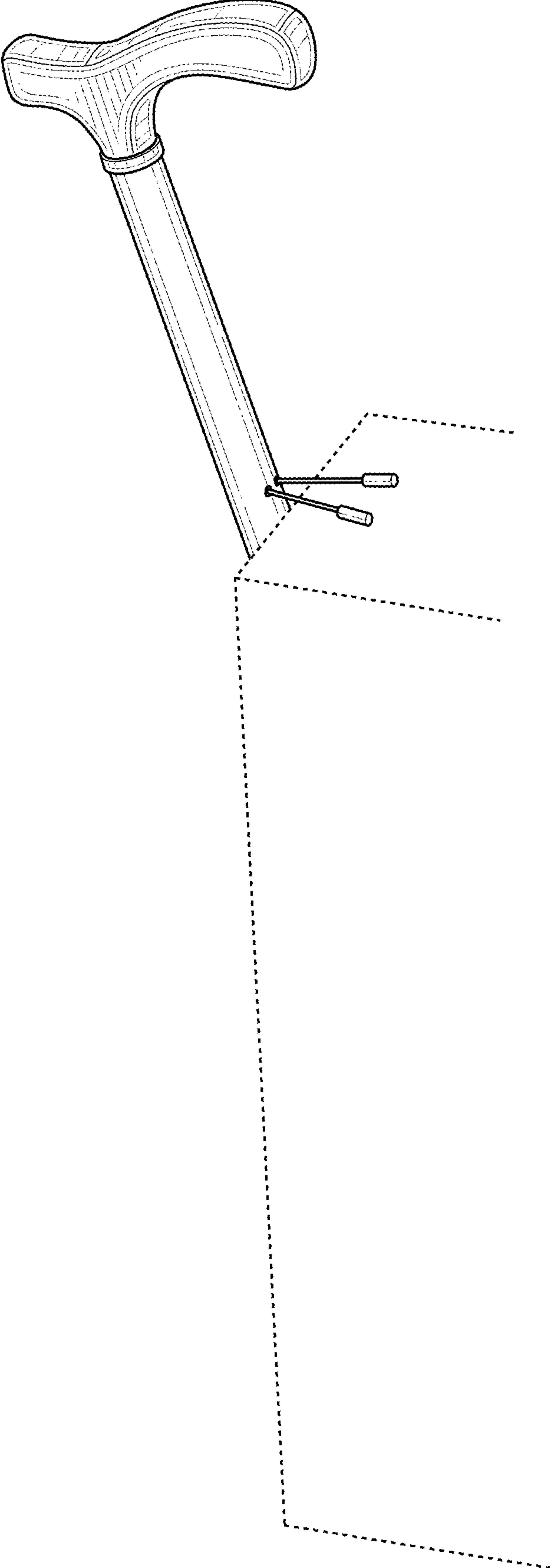


FIG. 1

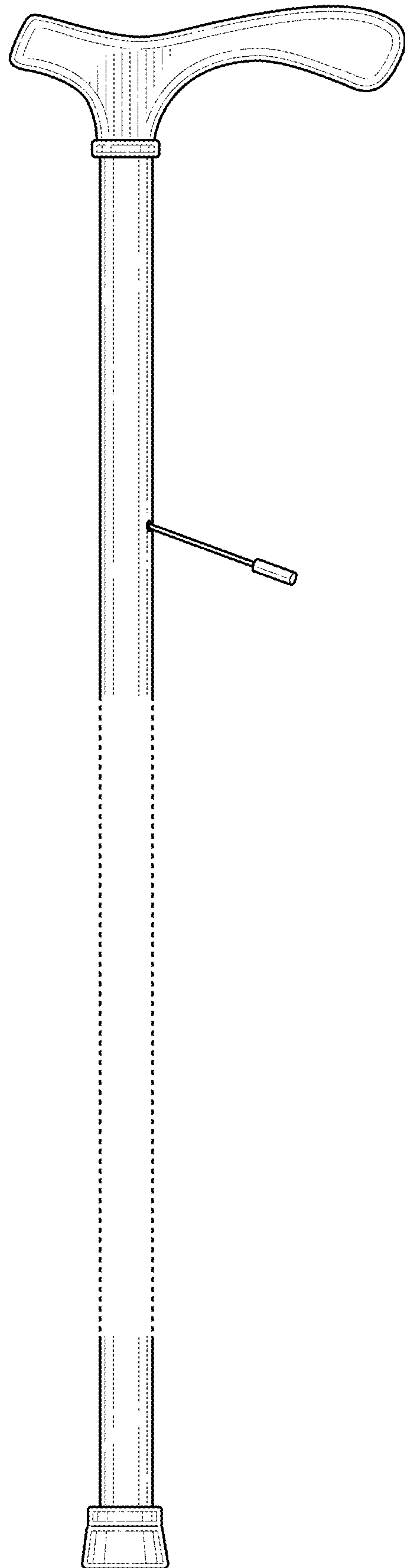


FIG. 2

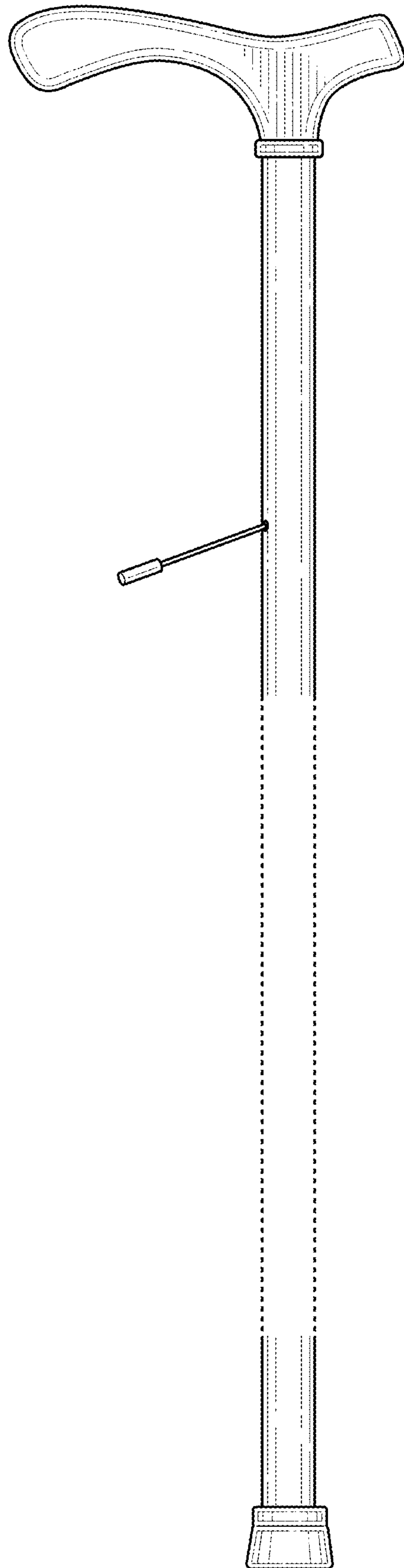


FIG. 3

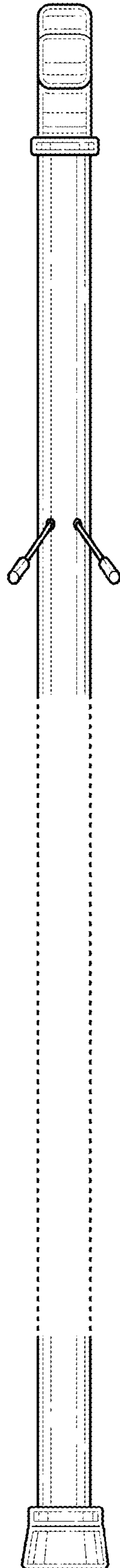


FIG. 4

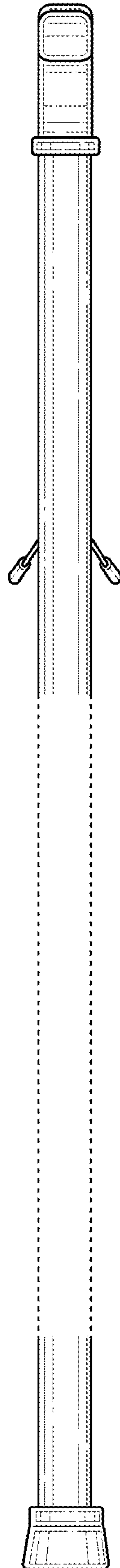


FIG. 5

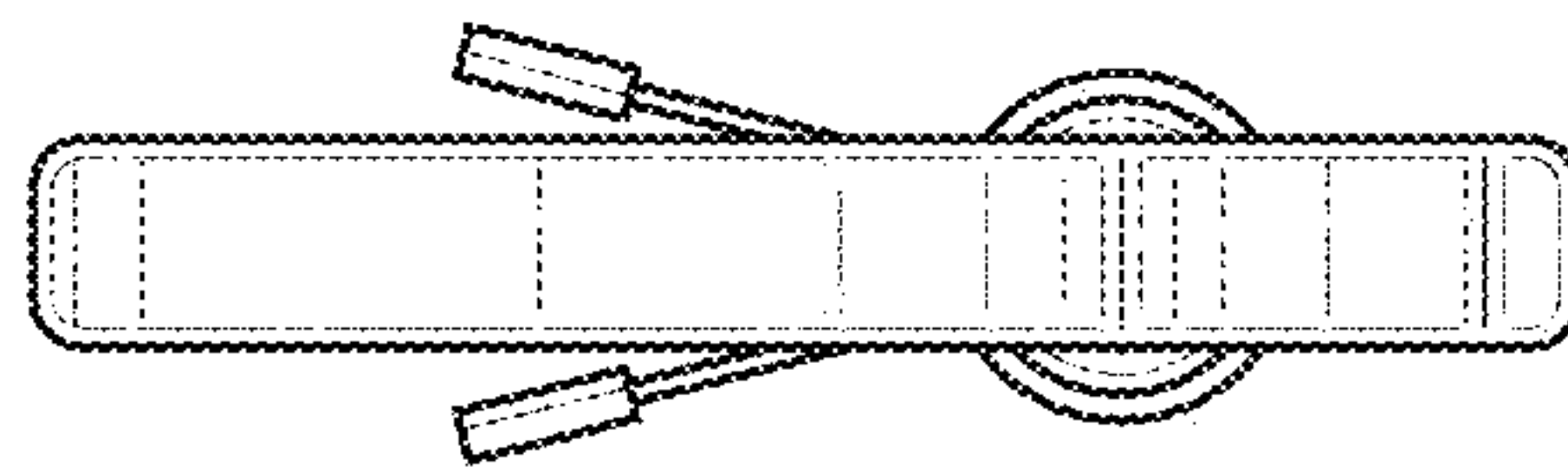


FIG. 6

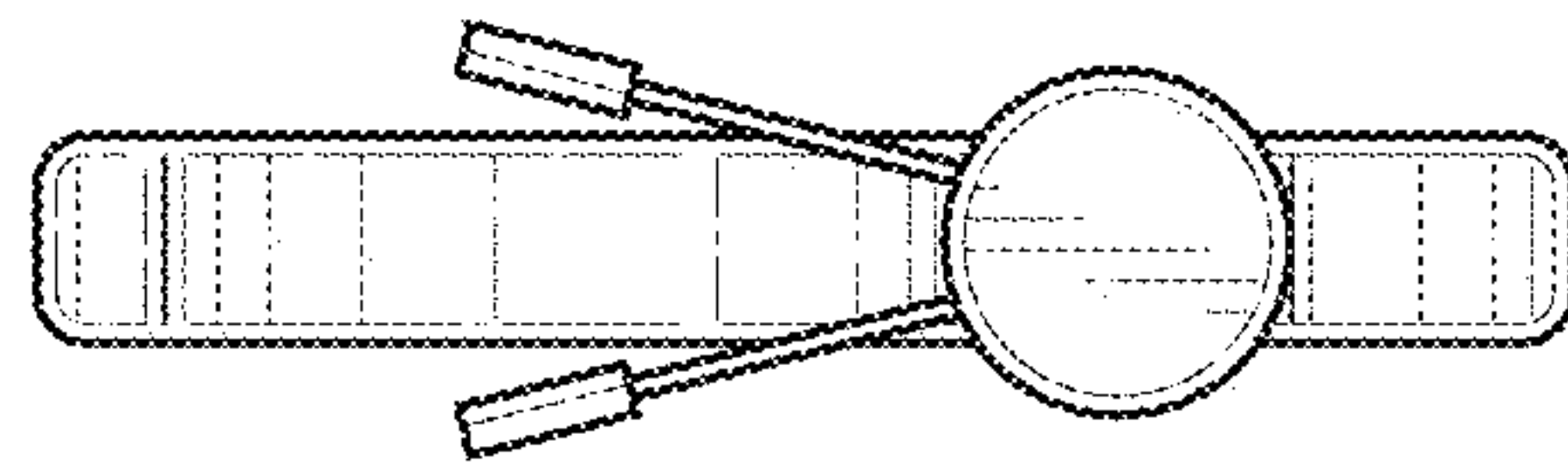


FIG. 7